



US00D607706S

(12) **United States Design Patent**  
**Jastrow**

(10) **Patent No.:** **US D607,706 S**  
(45) **Date of Patent:** **\*\* Jan. 12, 2010**

(54) **CLAMP**

(74) *Attorney, Agent, or Firm*—Cislo & Thomas, LLP

(76) **Inventor:** **Keith Jastrow**, 3531 S. B St., Oxnard,  
CA (US) 93033

(57) **CLAIM**

(\*\*) **Term:** **14 Years**

I claim the ornamental design for a clamp, as shown and described.

(21) **Appl. No.:** **29/310,484**

(22) **Filed:** **Aug. 21, 2008**

**DESCRIPTION**

(51) **LOC (9) Cl.** ..... **08-05**

(52) **U.S. Cl.** ..... **D8/72**

(58) **Field of Classification Search** ..... D8/71–74,  
D8/394–399, 354, 355, 356, 59, 330; 248/62,  
248/63, 72, 74.1, 689, 124.2; 81/487; 269/3,  
269/4, 6, 143, 165, 240, 243, 246–249, 254 R,  
269/147–149; 29/256, 257, 276; D15/140;  
D24/143

See application file for complete search history.

FIG. 1 Is a front left perspective view of a clamp, showing my new design;

FIG. 2 Is a side view thereof;

FIG. 3 Is a side view thereof;

FIG. 4 Is a back view thereof;

FIG. 5 Is a front view thereof;

FIG. 6 Is a bottom plan view thereof, shown at a larger scale;

FIG. 7 Is a top plan view thereof, shown at a larger scale;

FIG. 8 Is a front left perspective view of the clamp extended;

FIG. 9 Is a side view thereof;

FIG. 10 Is a side view thereof;

FIG. 11 Is a back view thereof;

FIG. 12 Is a front view thereof;

FIG. 13 Is a bottom plan view thereof, shown at a larger scale;

FIG. 14 Is a top plan view thereof, shown at a larger scale;

FIG. 15 Is a front left perspective view of the clamp lowered;

FIG. 16 Is a side view thereof;

FIG. 17 Is a side view thereof;

FIG. 18 Is a back view thereof;

FIG. 19 Is a front view thereof;

FIG. 20 Is a bottom plan view thereof, shown at a larger scale; and,

FIG. 21 is a top plan view thereof, shown at a larger scale.

The features shown in broken lines depict environmental subject matter only and form no part of the claimed design.

(56) **References Cited**

**U.S. PATENT DOCUMENTS**

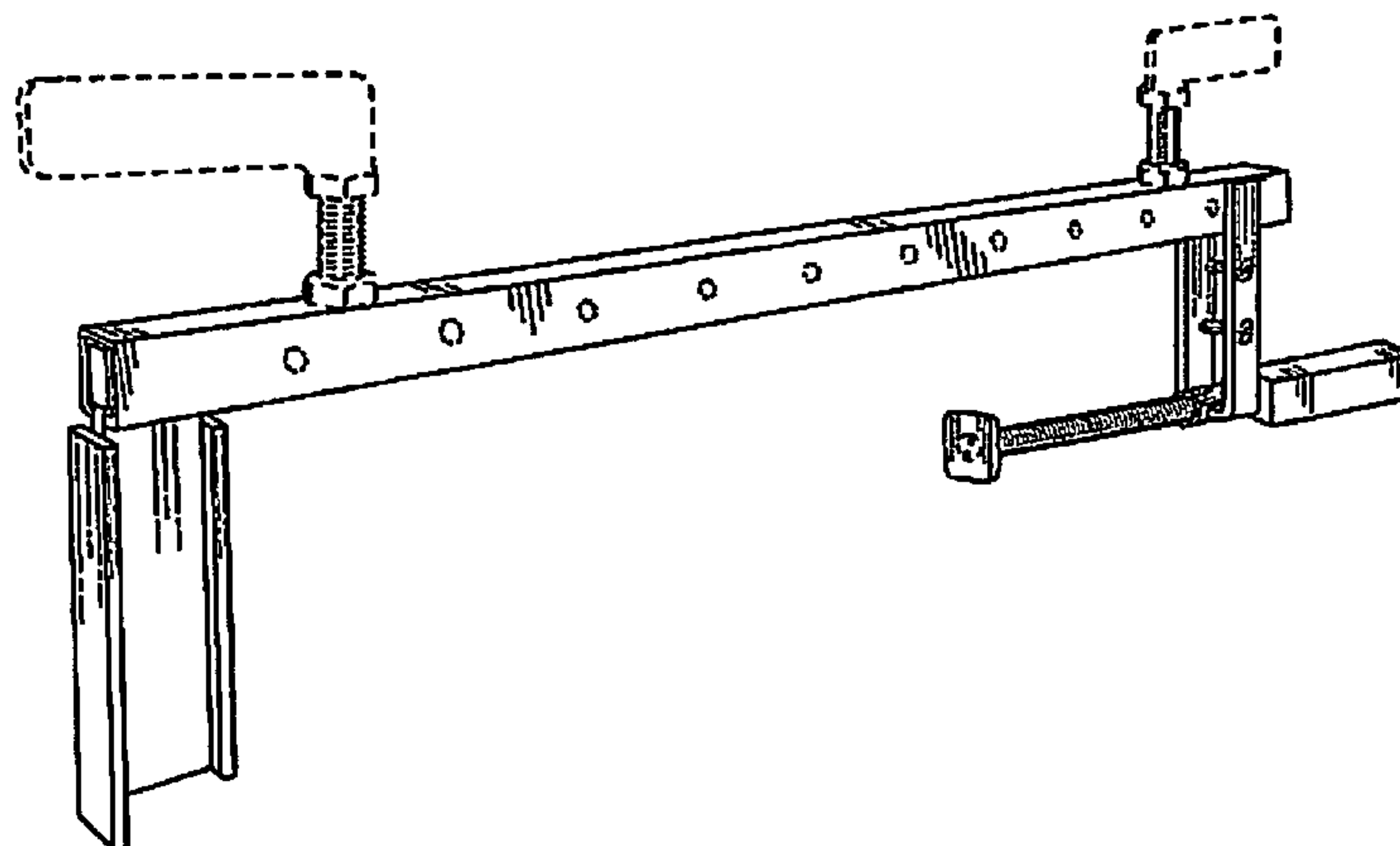
1,543,197	A	6/1925	Ulrich	
1,638,848	A	8/1927	Hargrave	
2,796,097	A	6/1957	Garner	
2,949,947	A	8/1960	Story	
3,039,195	A *	6/1962	Litty	D8/73
4,570,757	A *	2/1986	Marzullo	D8/72
4,736,927	A	4/1988	Clancy	
4,989,847	A	2/1991	Chapman	
D382,194	S *	8/1997	Hodges	D8/355
D382,788	S *	8/1997	Wages	D8/71
5,775,680	A	7/1998	Sorensen et al.	
D397,013	S *	8/1998	Horne	D8/71
D418,033	S *	12/1999	Svedberg	D8/72
6,050,559	A	4/2000	de Souza	
6,067,693	A	5/2000	Chen	
6,540,242	B1	4/2003	Raichlen	
6,554,264	B1	4/2003	Alford	
D484,388	S *	12/2003	Nassie et al.	D8/330

(Continued)

*Primary Examiner*—T. Chase Nelson

*Assistant Examiner*—David G Muller

**1 Claim, 9 Drawing Sheets**



# US D607,706 S

Page 2

---

## U.S. PATENT DOCUMENTS

D484,766 S *	1/2004	Slack .....	D8/72	7,114,715 B1	10/2006	Kirk	
6,955,344 B2	10/2005	Brass et al.		D569,229 S *	5/2008	Johns .....	D8/354
D513,172 S *	12/2005	Rutsky .....	D8/395	D578,867 S *	10/2008	Deuer .....	D8/354
D525,860 S *	8/2006	Brogden .....	D8/354	D579,320 S *	10/2008	Svedberg .....	D8/354

\* cited by examiner

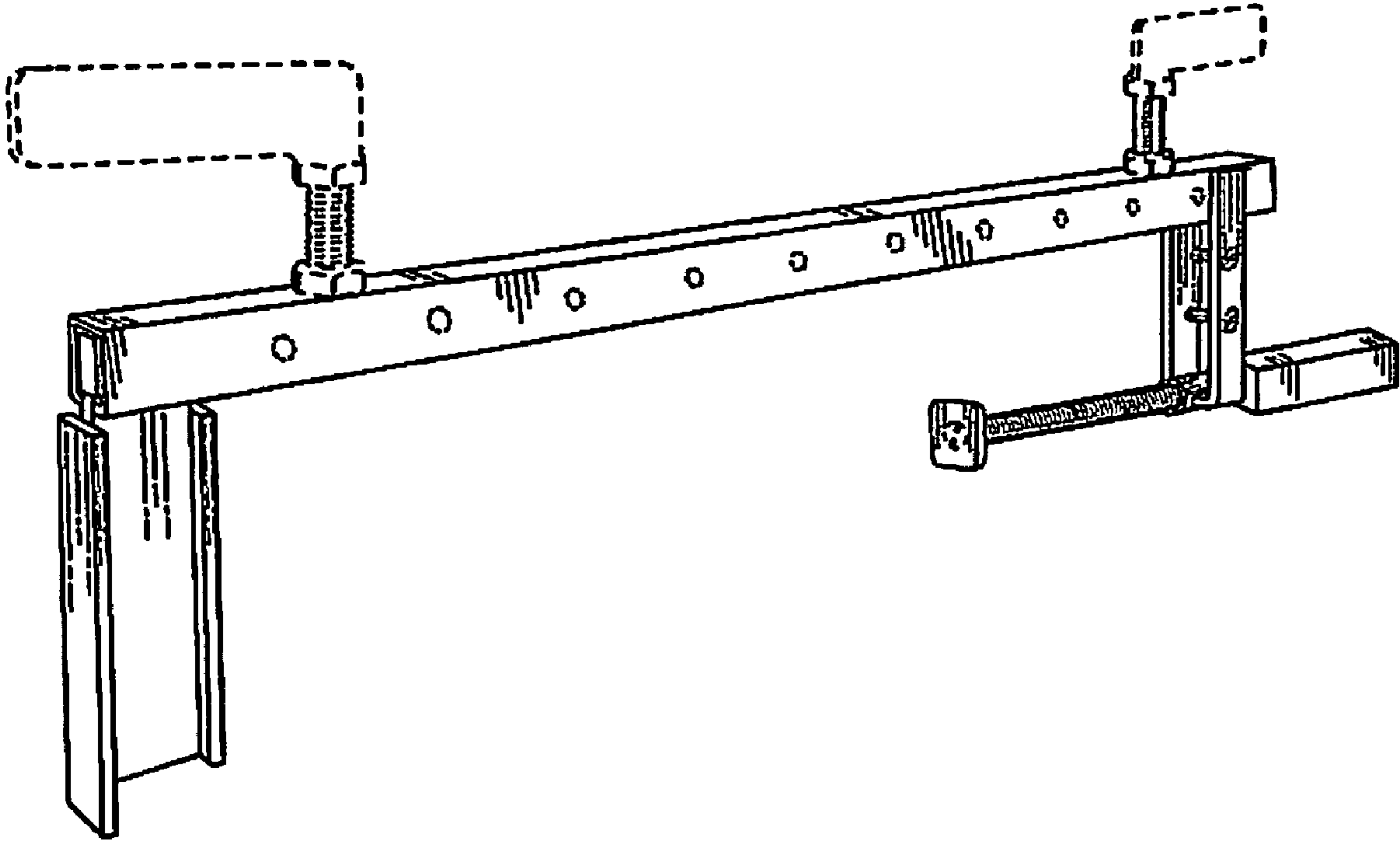


FIG. 1

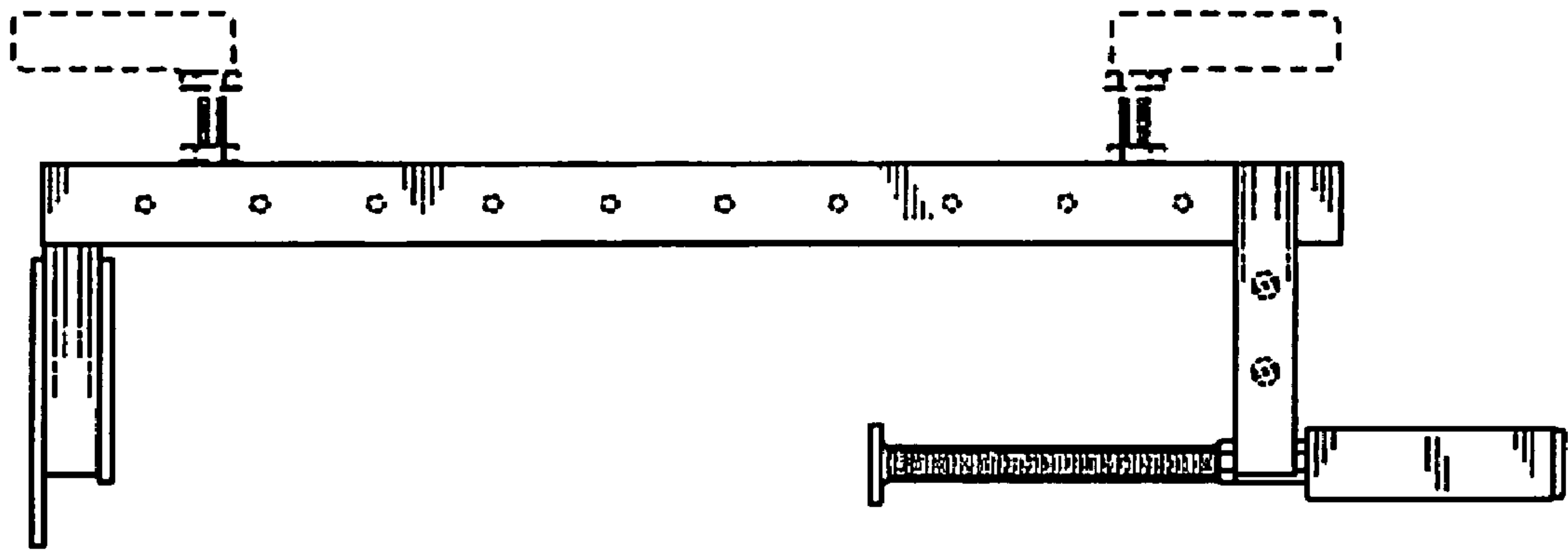


FIG. 2

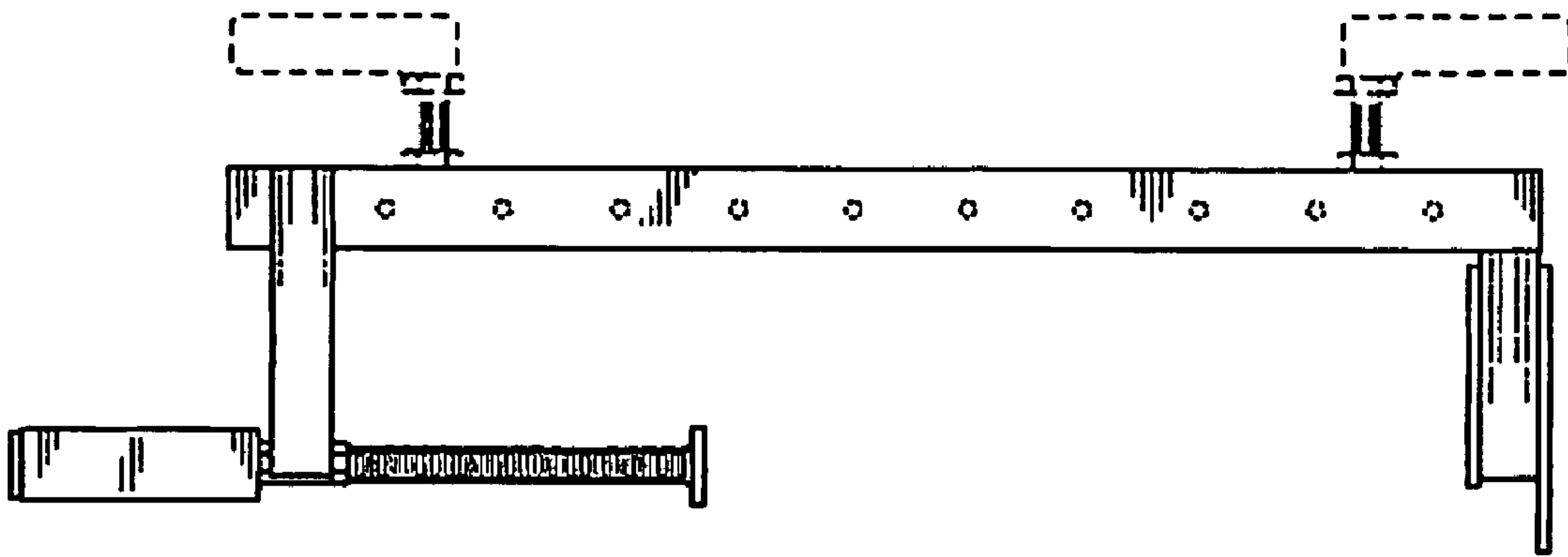


FIG. 3

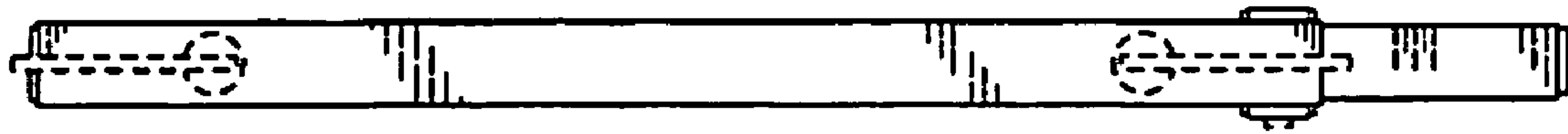


FIG. 4

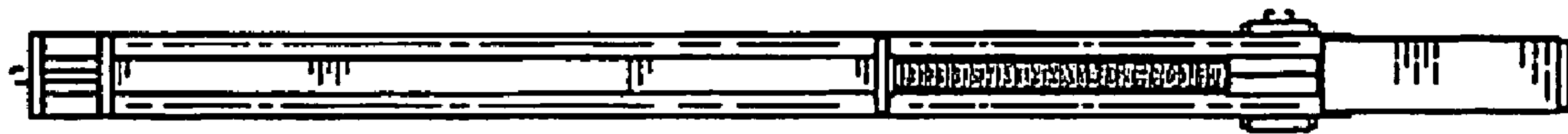


FIG. 5

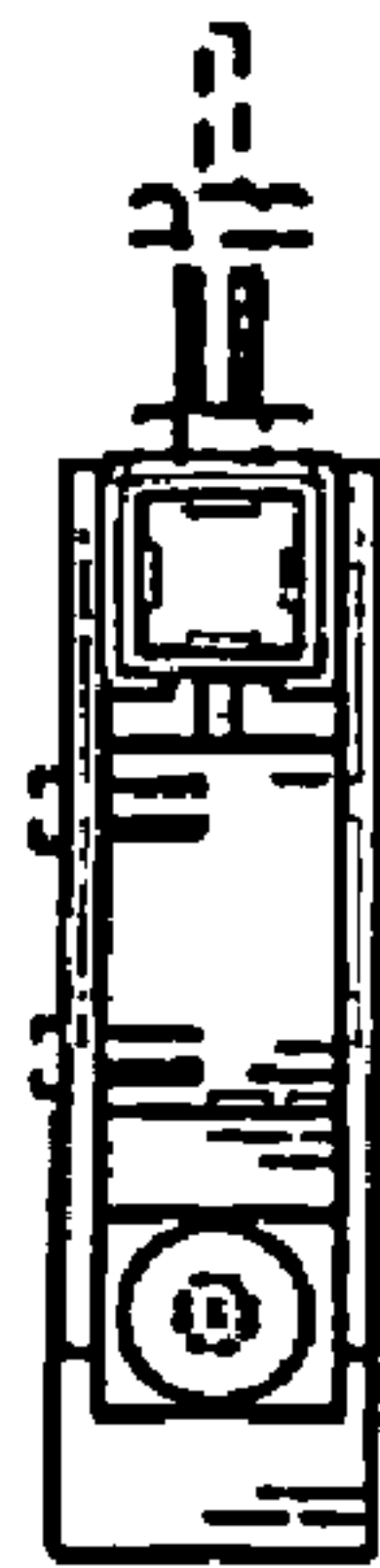


FIG. 6

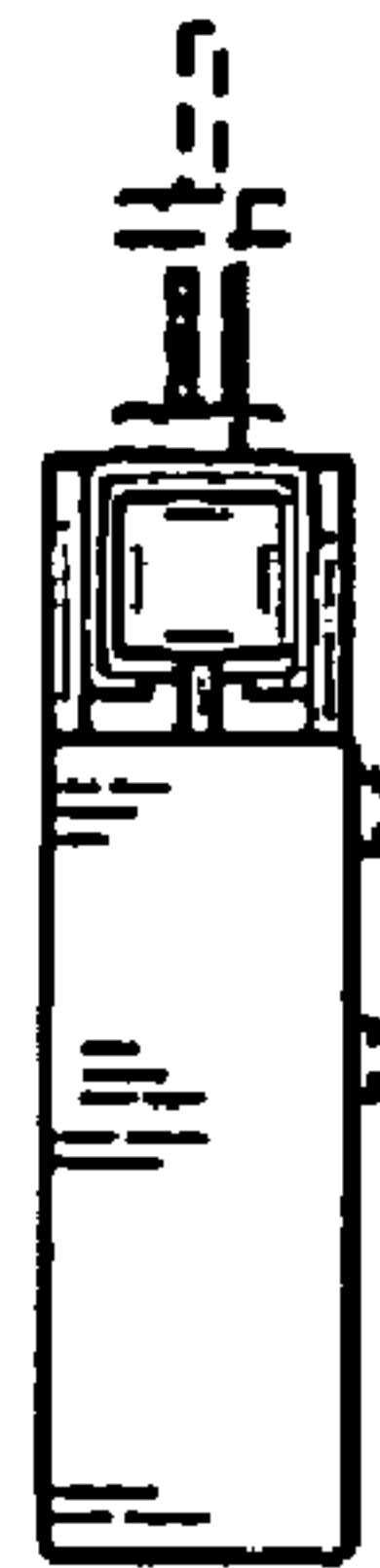


FIG. 7

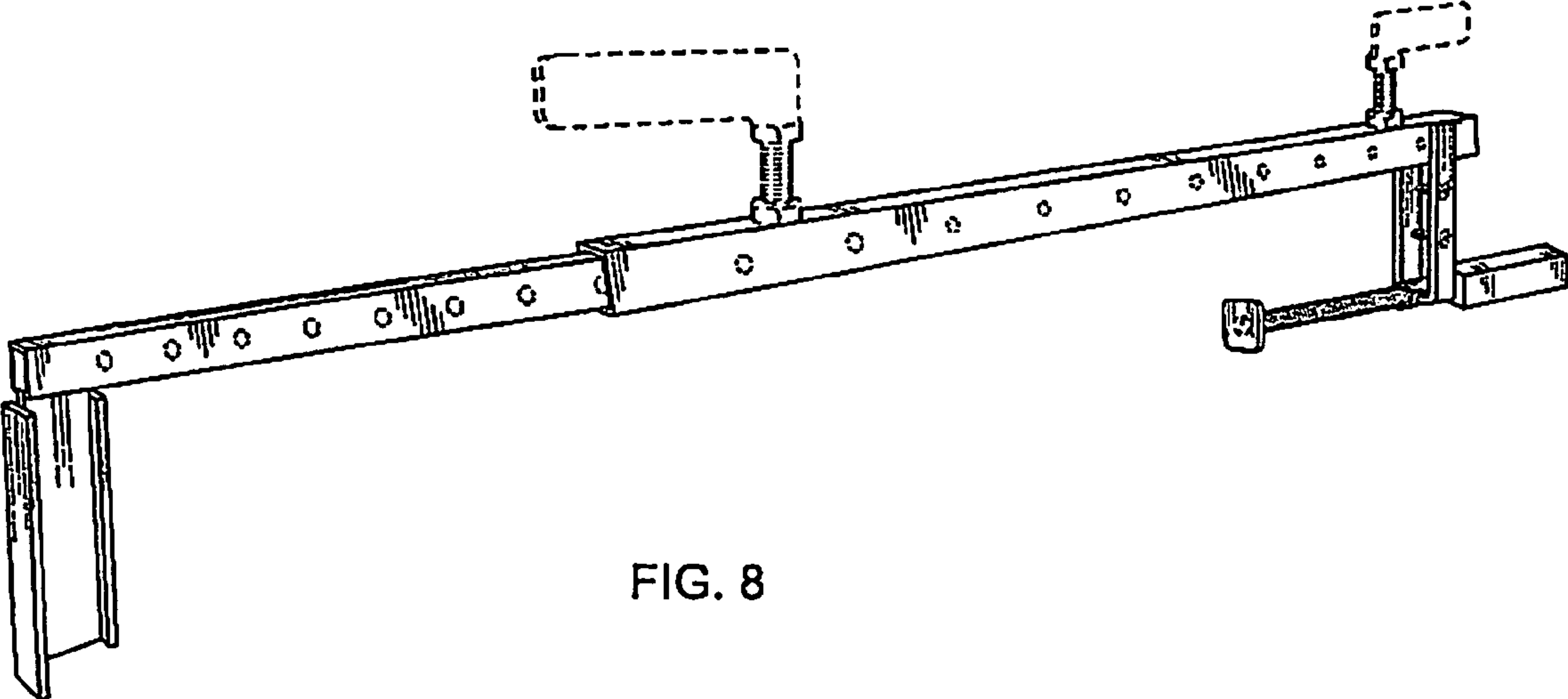


FIG. 8

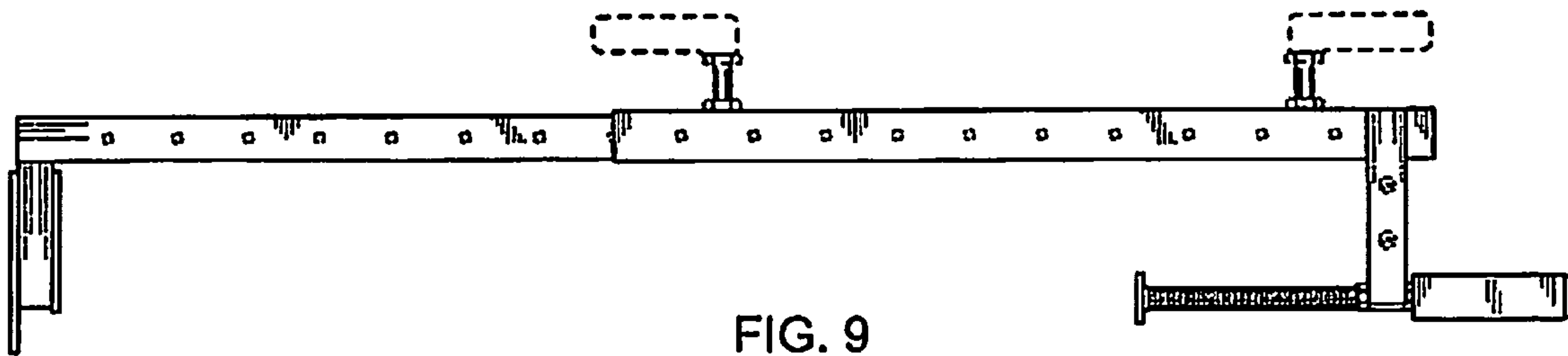


FIG. 9

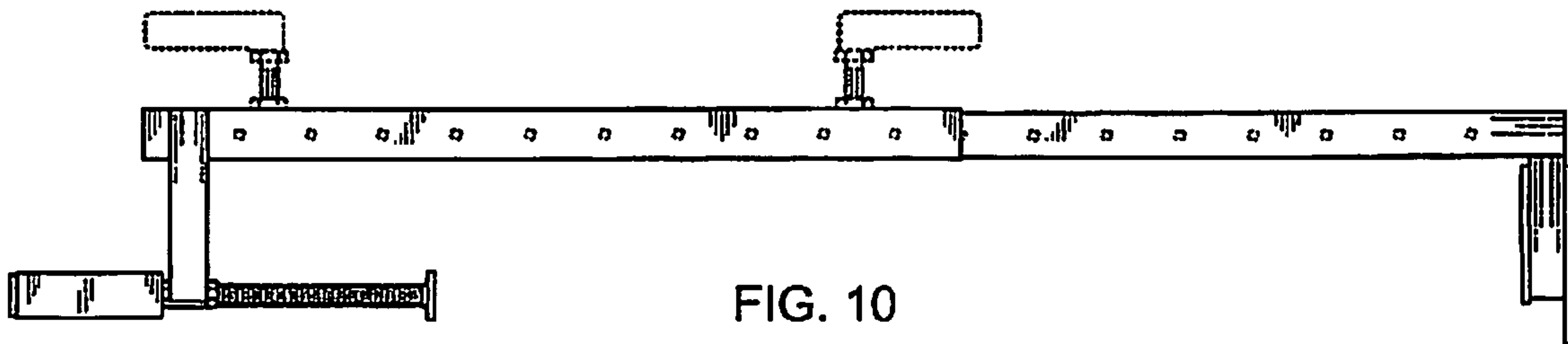


FIG. 10



FIG. 11



FIG. 12

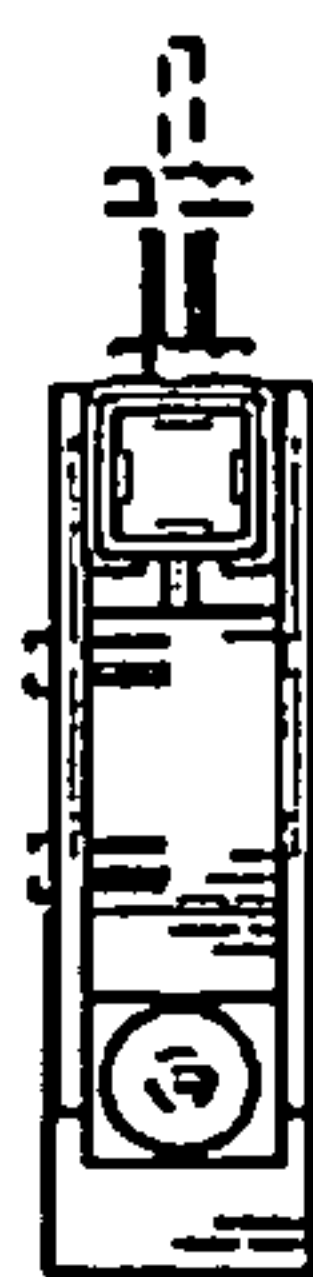


FIG. 13

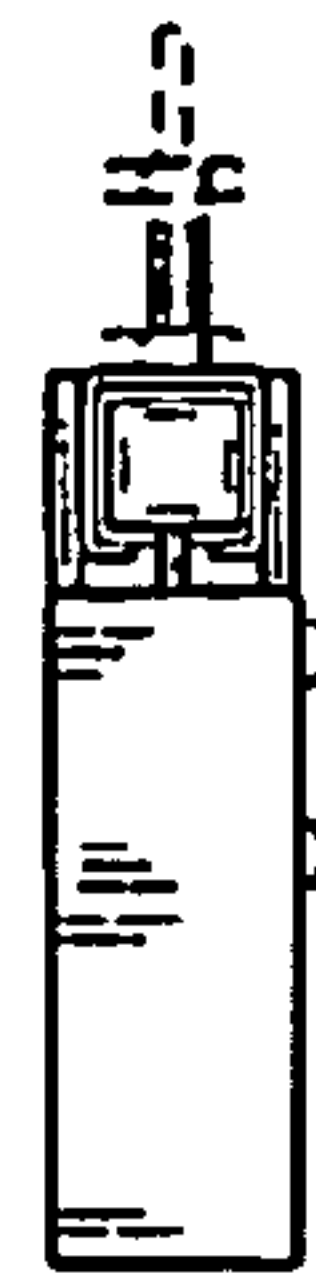


FIG. 14



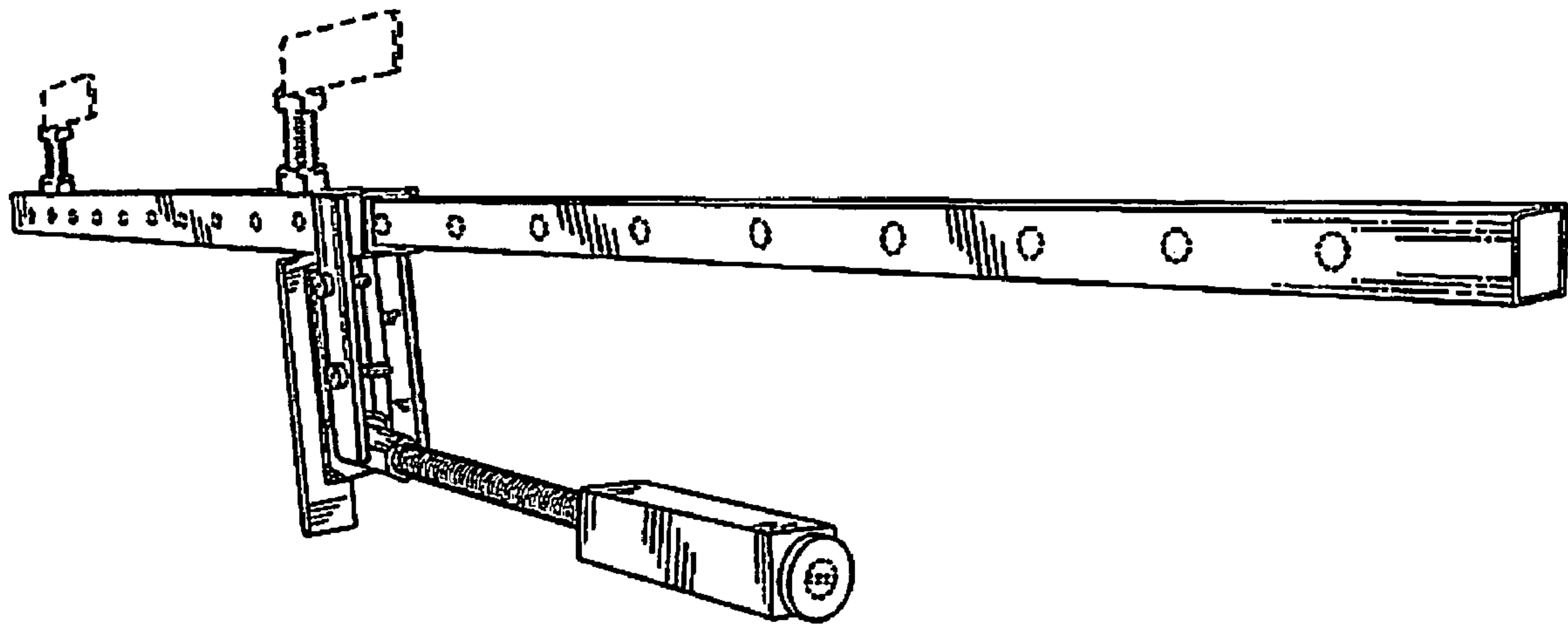


FIG. 15

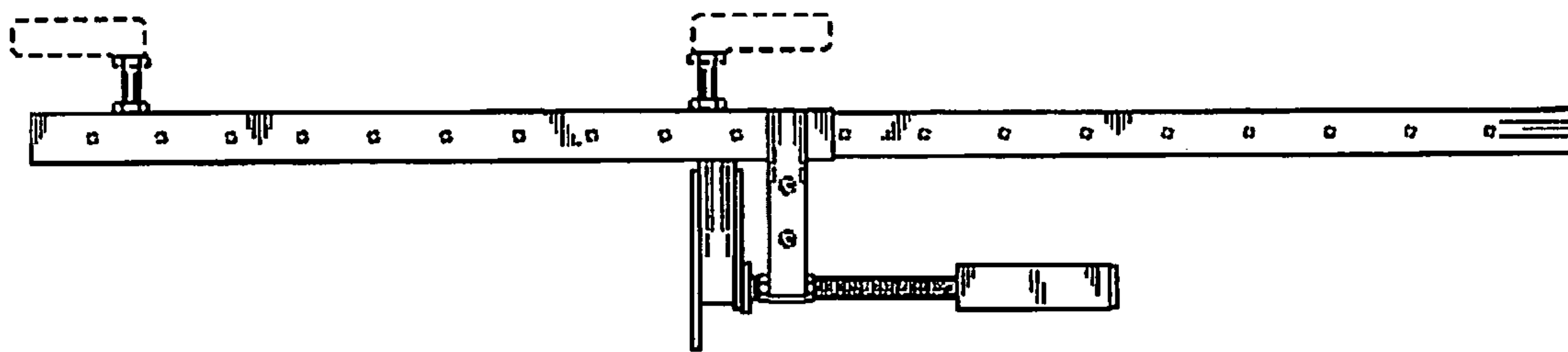


FIG. 16

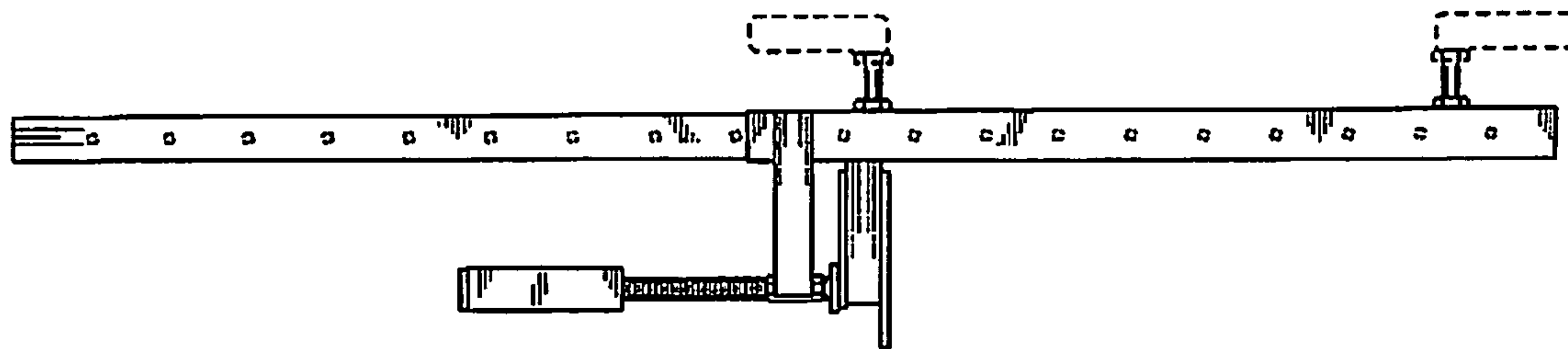


FIG. 17



FIG. 18



FIG. 19

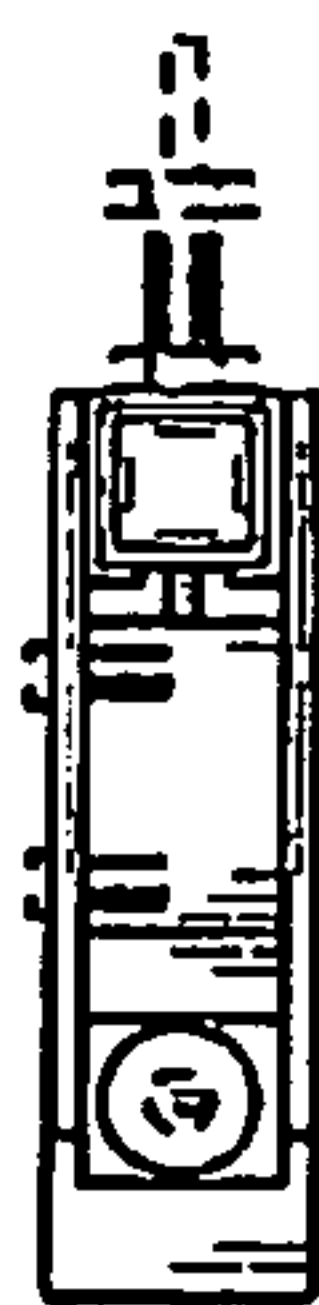


FIG. 20

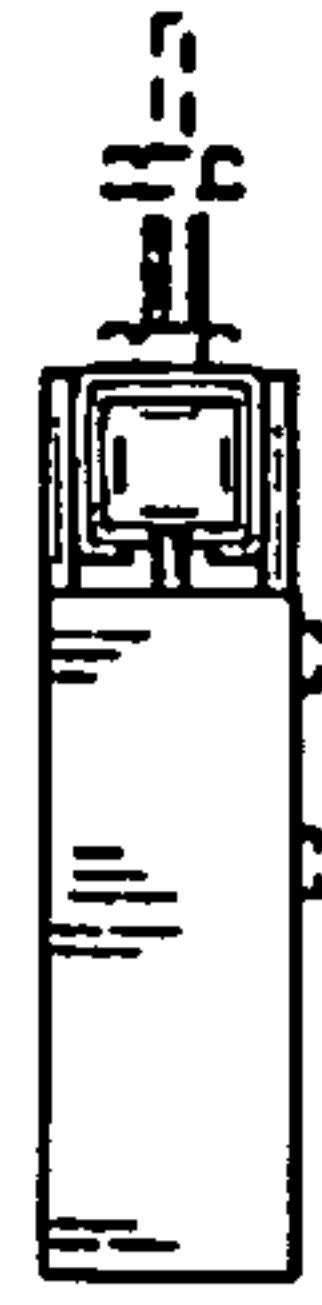


FIG. 21