



US00D607697S

(12) **United States Design Patent**  
**Whitlock et al.**

(10) **Patent No.:** **US D607,697 S**

(45) **Date of Patent:** **\*\* Jan. 12, 2010**

(54) **COOLER**

(76) Inventors: **Paul Whitlock**, Picnic At Ascot, 3237  
131st St., Hawthorne, CA (US) 90250;  
**Valerie Whitlock**, Picnic At Ascot, 3237  
131st St., Hawthorne, CA (US) 90250

(\*\*) Term: **14 Years**

(21) Appl. No.: **29/314,727**

(22) Filed: **Apr. 23, 2009**

(51) **LOC (9) Cl.** ..... **07-01**

(52) **U.S. Cl.** ..... **D7/607; D7/709**

(58) **Field of Classification Search** ..... D7/603–608,  
D7/709, 710; 150/100, 103–105, 107, 110,  
150/114, 118, 119; D3/201, 202, 229, 232,  
D3/233, 276, 272, 273, 283–287, 289; 383/110,  
383/113, 93, 109; 190/100, 103–106, 109,  
190/115; 220/739, 592.01, 915.1, 915.2;  
62/457.1–457.9, 371, 372

See application file for complete search history.

(56) **References Cited**

**U.S. PATENT DOCUMENTS**

D194,637	S	*	2/1963	Szantay	.....	D7/605
D340,621	S	*	10/1993	Melk	.....	D7/607
D340,840	S	*	11/1993	Melk	.....	D7/607
5,350,081	A	*	9/1994	Graham	.....	220/737
5,505,307	A	*	4/1996	Shink	.....	206/541
D382,771	S	*	8/1997	Mogil	.....	D7/607
D382,772	S	*	8/1997	Mogil	.....	D7/607
D387,249	S	*	12/1997	Mogil	.....	D7/607

D408,225	S	*	4/1999	Hodosh	.....	D7/605
5,924,303	A	*	7/1999	Hodosh	.....	62/457.4
6,318,570	B1	*	11/2001	Mueller et al.	.....	211/181.1
D464,235	S	*	10/2002	Jeong	.....	D7/607
6,481,239	B2	*	11/2002	Hodosh et al.	.....	62/457.4
6,851,276	B2	*	2/2005	Perrins	.....	62/457.5
D528,368	S	*	9/2006	Maldonado	.....	D7/605
D530,137	S	*	10/2006	Wilgus et al.	.....	D7/300

\* cited by examiner

*Primary Examiner*—Terry A Wallace

(74) *Attorney, Agent, or Firm*—D. Whitlow Bivens

(57) **CLAIM**

The ornamental design for a cooler, as shown and described.

**DESCRIPTION**

FIG. 1 is a front view of our new design in a first configuration;

FIG. 2 is a top view thereof;

FIG. 3 is a side view thereof;

FIG. 4 is a rear view thereof;

FIG. 5 is a perspective view thereof;

FIG. 6 is a perspective view of a first side of our new design in a second configuration; and,

FIG. 7 is a perspective view of a second side of our new design in the second configuration.

The broken lines showing the handle are for illustrative purposes only and form no part of the claimed design. The remaining broken lines represent stitching.

**1 Claim, 6 Drawing Sheets**

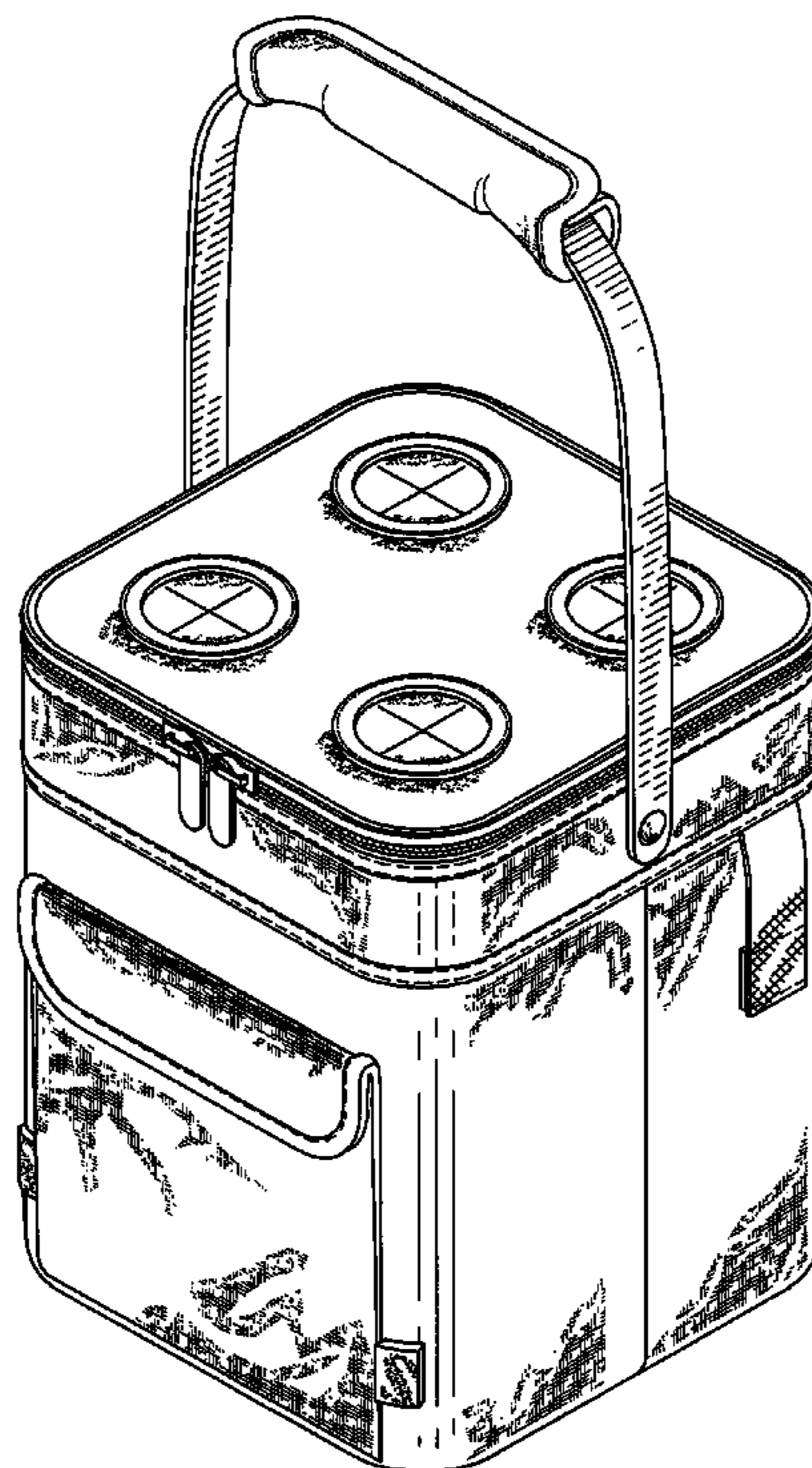
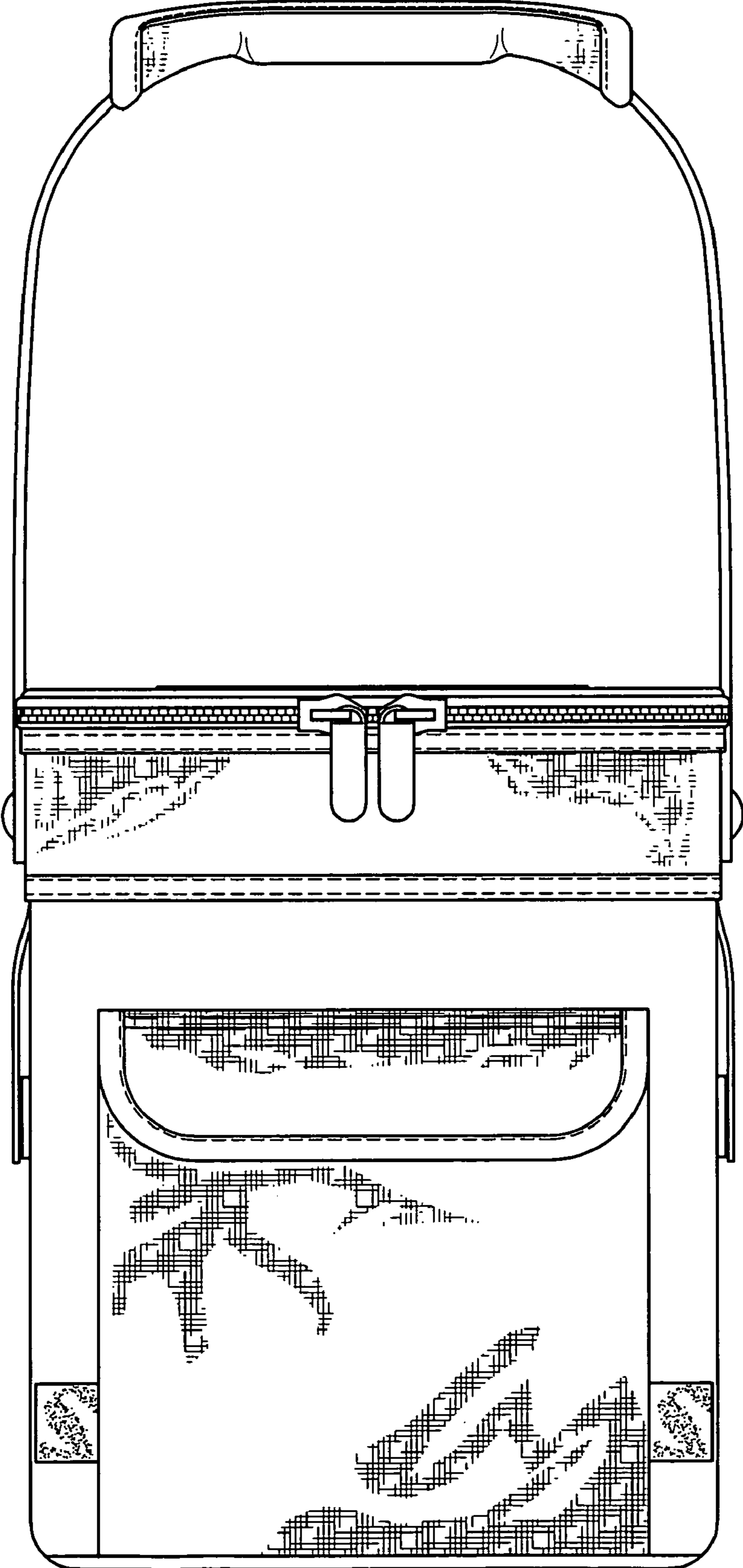


FIG. 1



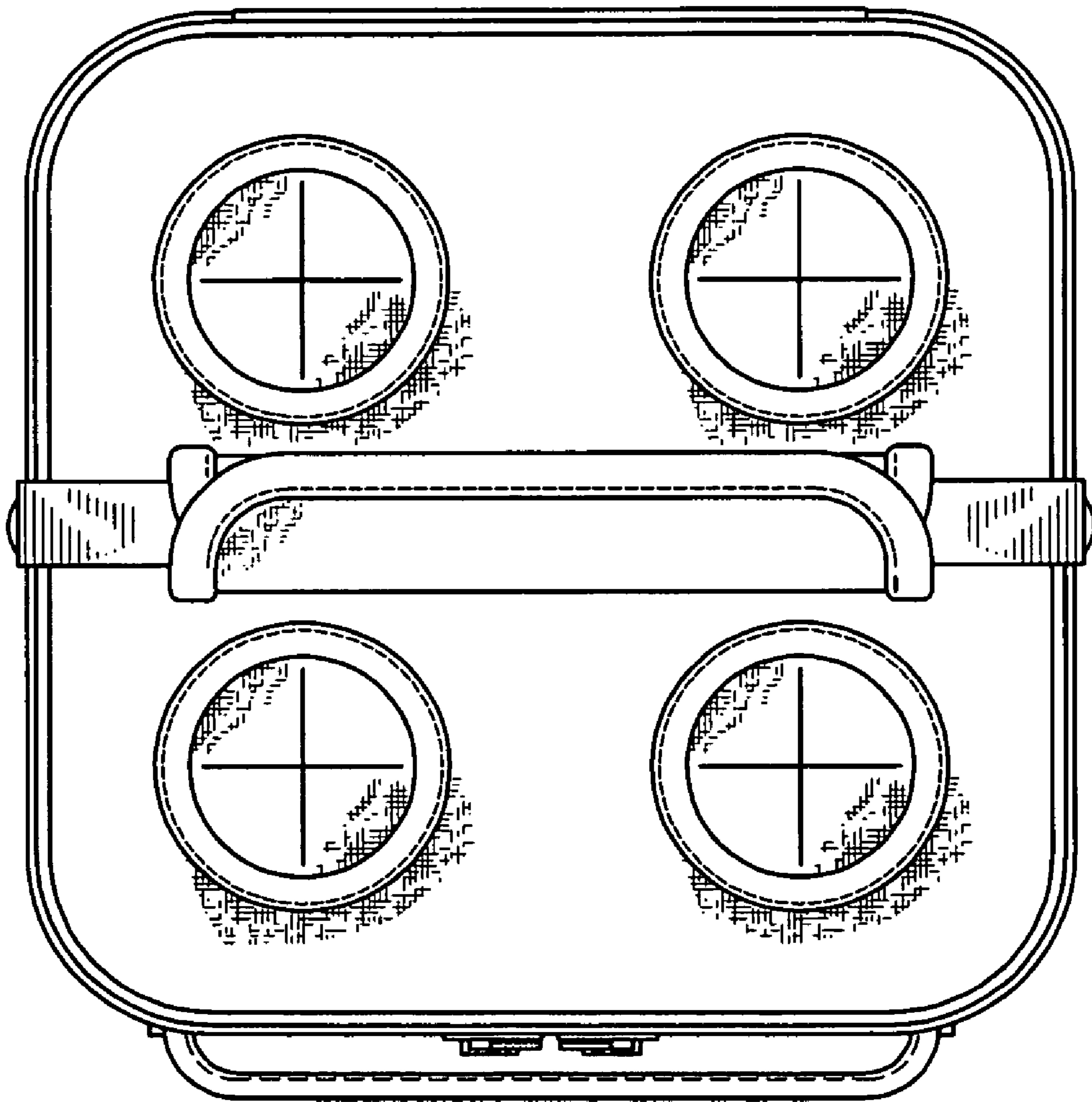


FIG. 2

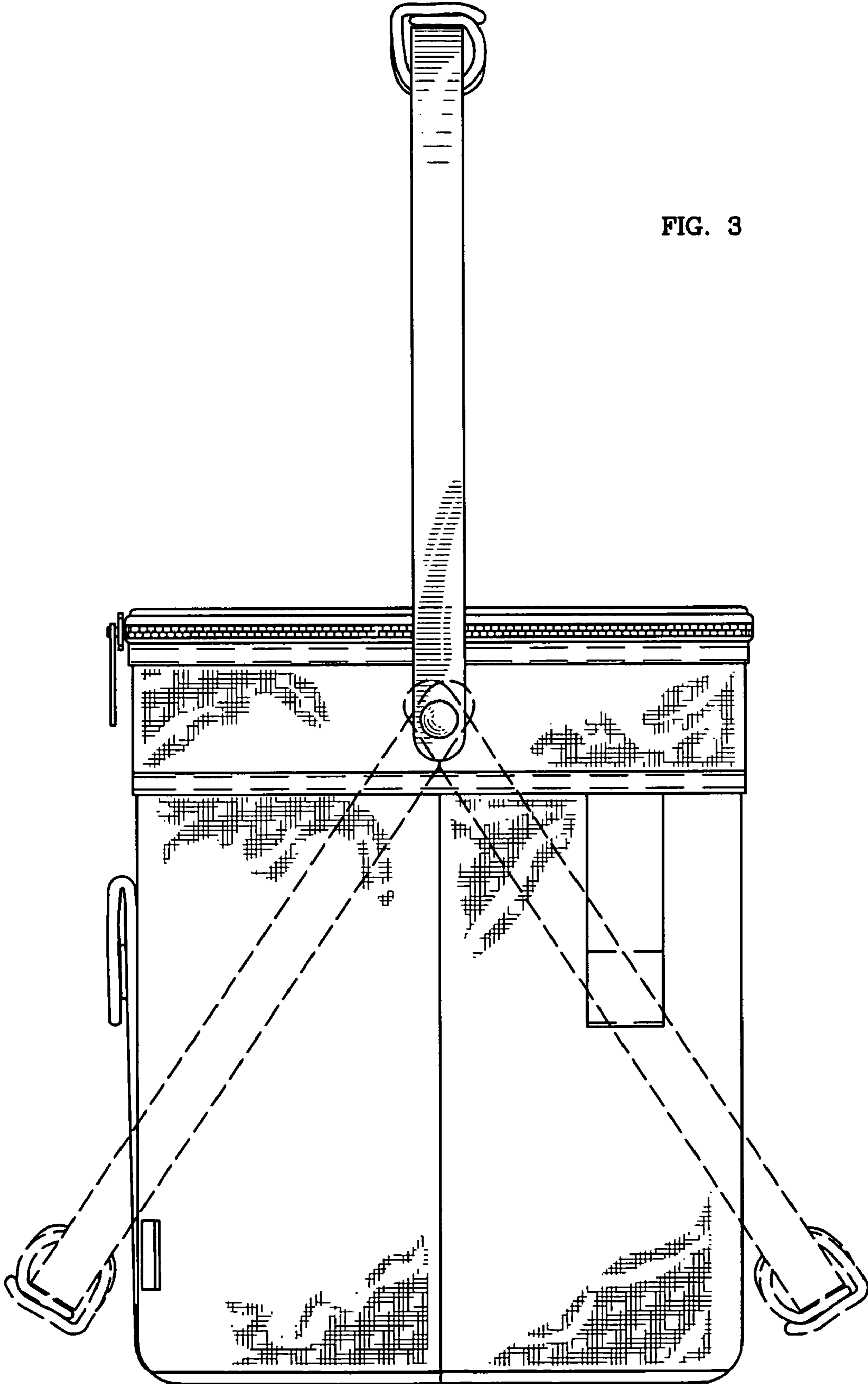


FIG. 3

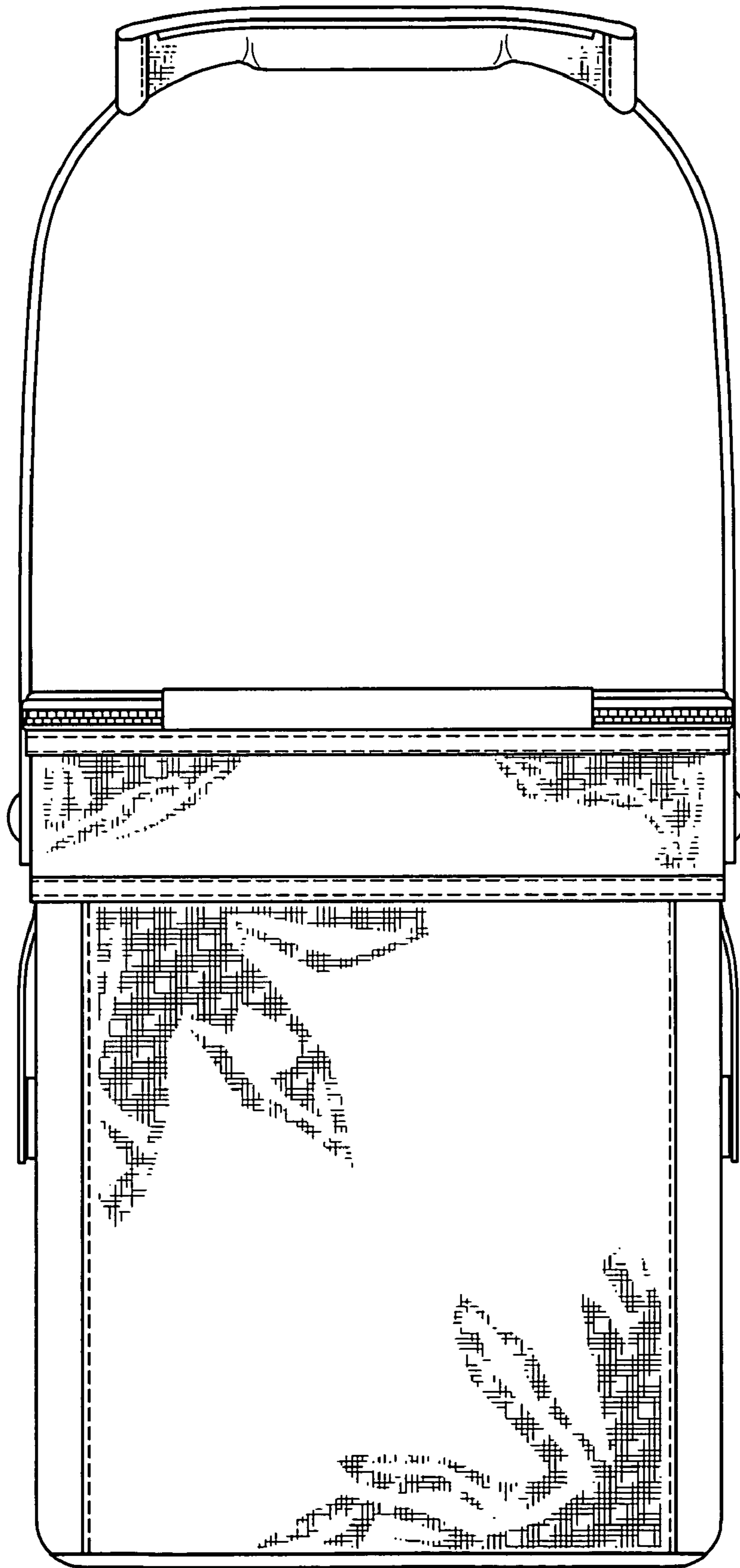


FIG. 4

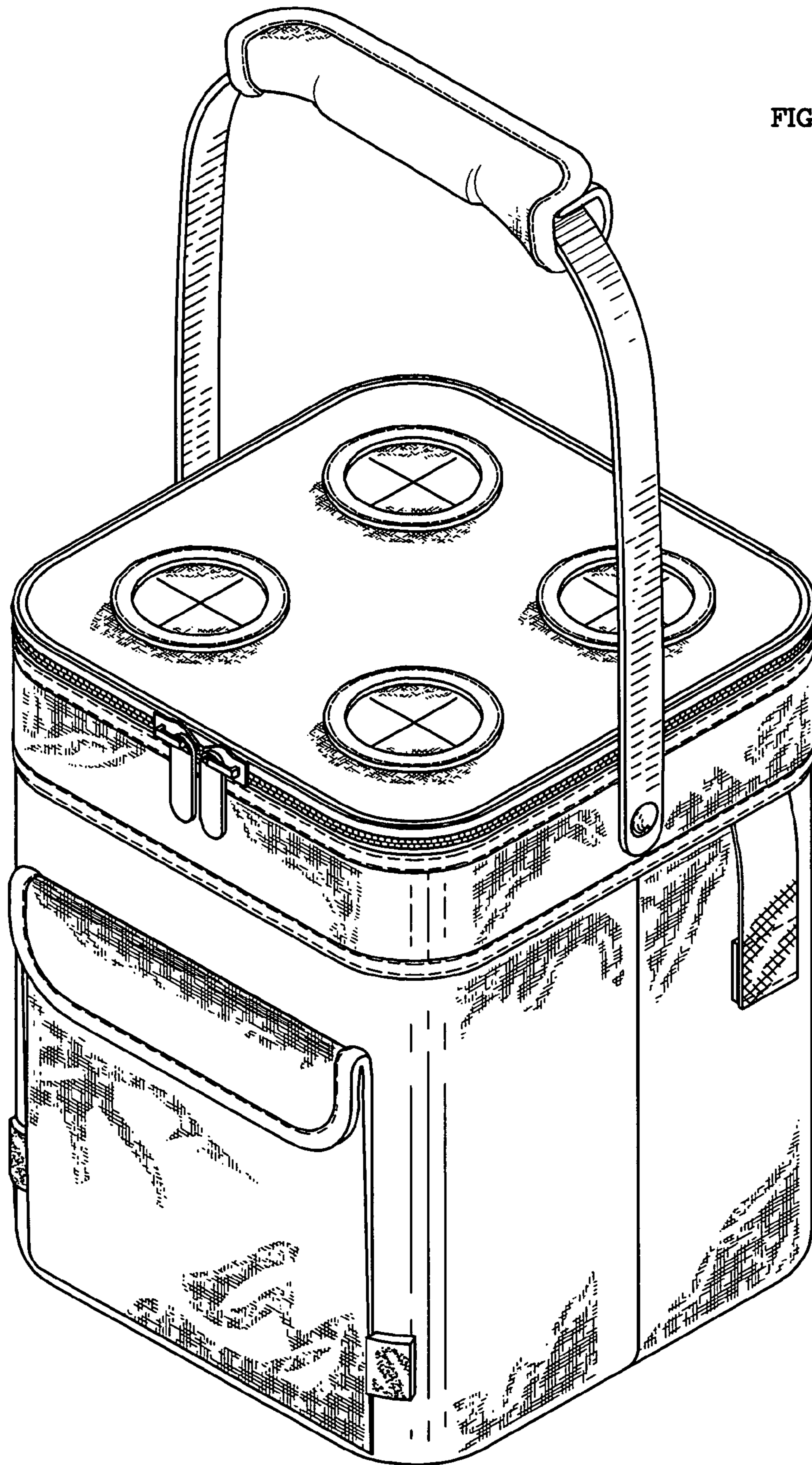


FIG. 5

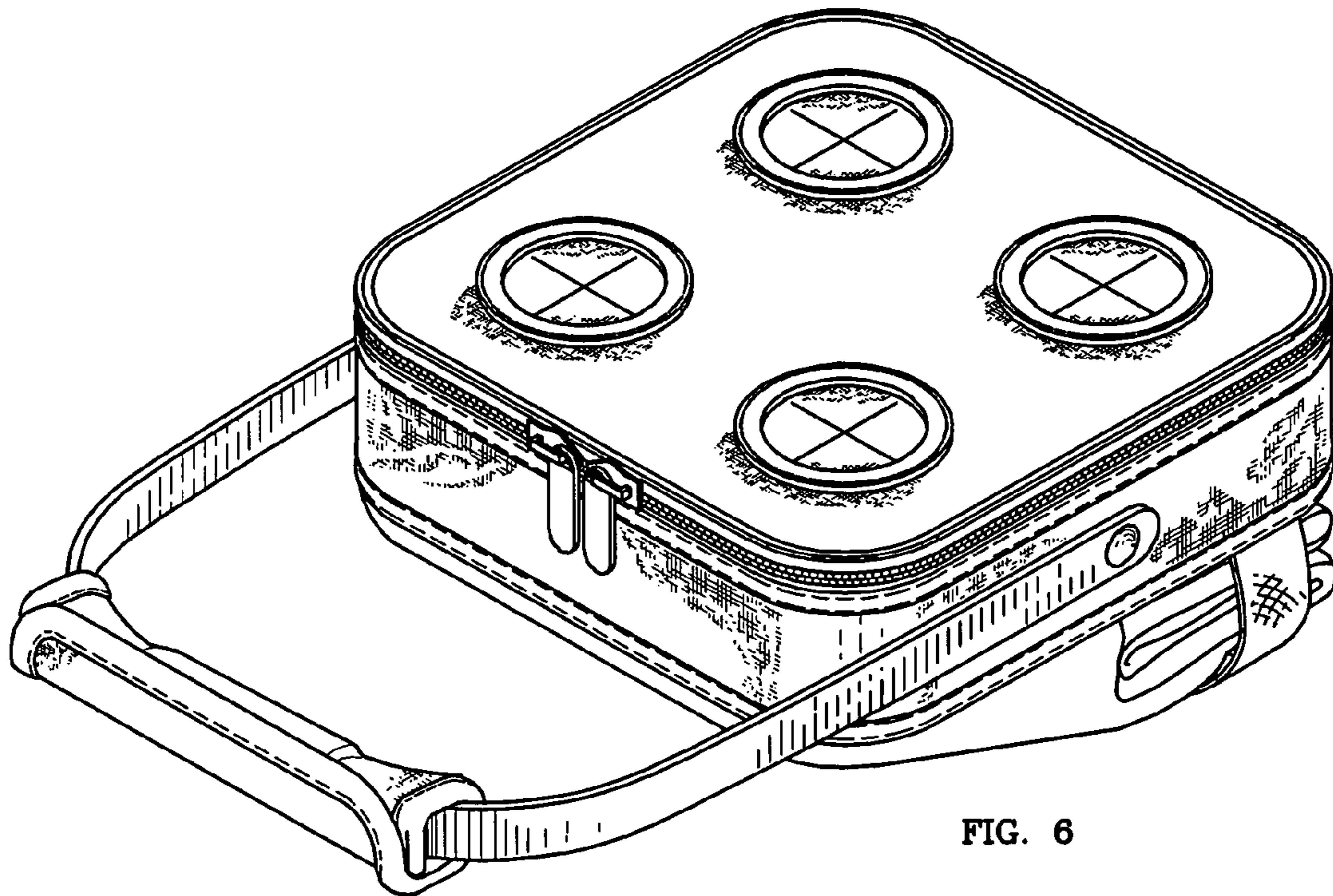


FIG. 6

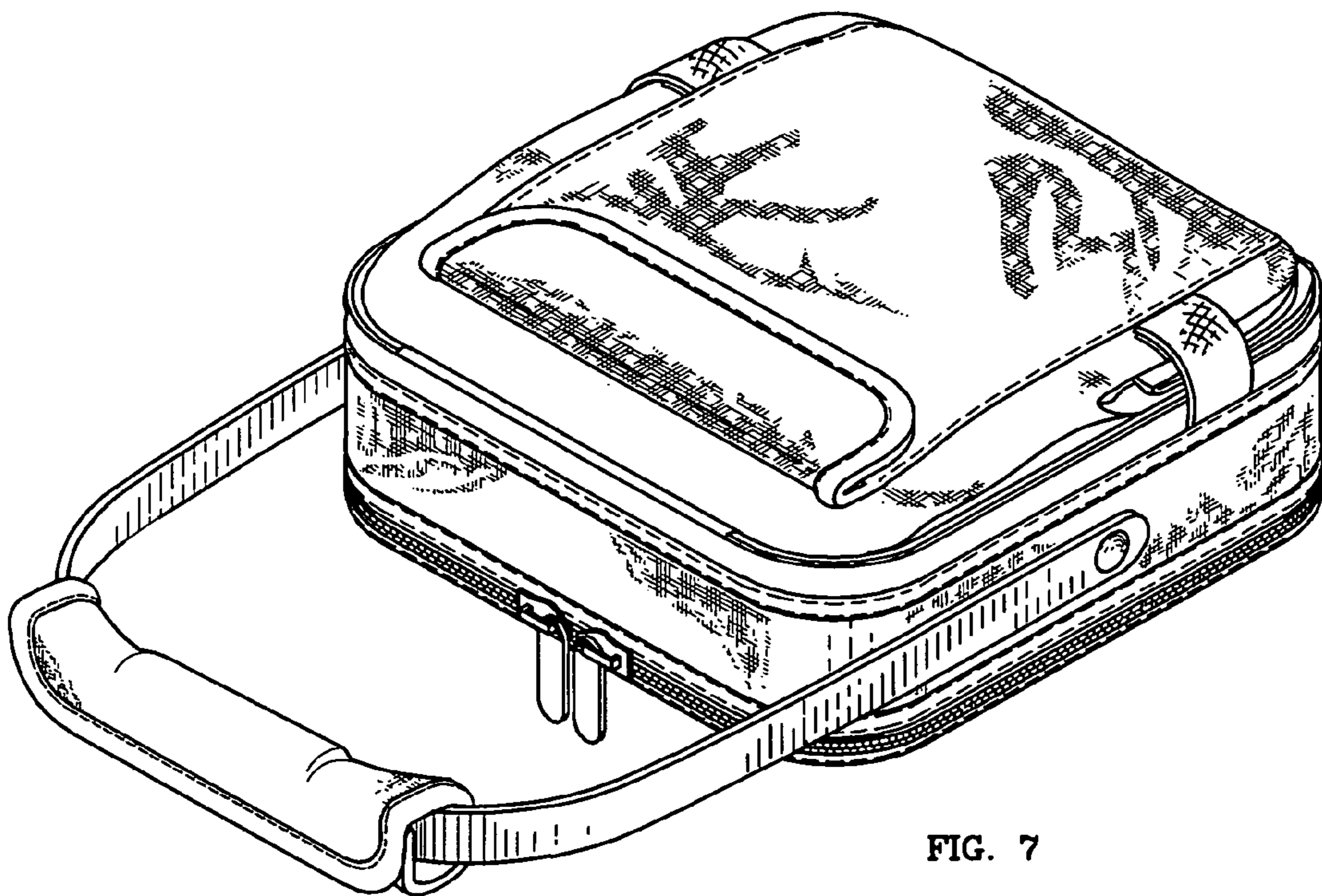


FIG. 7