



US00D607692S

(12) **United States Design Patent**  
**Skala**

(10) **Patent No.:** **US D607,692 S**  
(45) **Date of Patent:** **\*\* Jan. 12, 2010**

(54) **DRINKING CUP**

(76) Inventor: **Theodore P. Skala**, 500 S. Himes Ave.,  
Suite 14, Tampa, FL (US) 33809

(\*\*) Term: **14 Years**

(21) Appl. No.: **29/337,799**

(22) Filed: **May 29, 2009**

(51) **LOC (9) Cl.** ..... **07-01**

(52) **U.S. Cl.** ..... **D7/532; D7/523**

(58) **Field of Classification Search** ..... D7/531,  
D7/529, 509, 523, 507, 532; 220/703, 592.16,  
220/592.17, 671; 215/400, 403.1, 5 B; 206/520,  
206/217; D11/152

See application file for complete search history.

(56) **References Cited**

**U.S. PATENT DOCUMENTS**

D11,286	S	*	7/1879	Meyer et al.	.....	D5/32
3,009,603	A	*	11/1961	Stockdale	.....	206/519
3,190,530	A	*	6/1965	Edwards	.....	229/400
D222,375	S		10/1971	Bencik		
3,850,361	A	*	11/1974	Day et al.	.....	229/400
4,052,037	A	*	10/1977	Mair et al.	.....	366/341
D272,794	S	*	2/1984	Dart	.....	D7/532
D368,234	S	*	3/1996	Dickinson et al.	.....	D11/152
D400,398	S		11/1998	McNaughton		
D441,252	S	*	5/2001	Gitschlag	.....	D7/396.2
D458,807	S	*	6/2002	Trazzi	.....	D7/532
6,554,154	B1	*	4/2003	Chauhan et al.	.....	220/671
D575,243	S	*	6/2003	Trazzi	.....	D7/532
6,644,846	B2	*	11/2003	Willat	.....	366/130
D533,404	S		12/2006	Mansfield		
D539,091	S		3/2007	Mansfield		
7,243,812	B2		7/2007	Mansfield et al.		

D552,421	S	*	10/2007	Wolf	.....	D7/523
D555,979	S	*	11/2007	Mansfield	.....	D7/523
D570,159	S	*	6/2008	McGill	.....	D7/532
D572,533	S		7/2008	Mansfield et al.		
7,523,840	B2	*	4/2009	Mansfield et al.	.....	220/506
D596,461	S	*	7/2009	Mansfield et al.	.....	D7/513
D598,224	S	*	8/2009	Zanini	.....	D6/510
2007/0199940	A1		8/2007	Skala		

\* cited by examiner

*Primary Examiner*—Marianne Pandozzi

(74) *Attorney, Agent, or Firm*—Tarolli, Sundheim, Covell & Tummino LLP

(57) **CLAIM**

The ornamental design for a drinking cup, as shown and described.

**DESCRIPTION**

FIG. 1 is an upper perspective view of a drinking cup showing my new design;

FIG. 2 is a lower perspective view of the drinking cup of FIG. 1;

FIG. 3 is an upper perspective view of the drinking cup of FIG. 1;

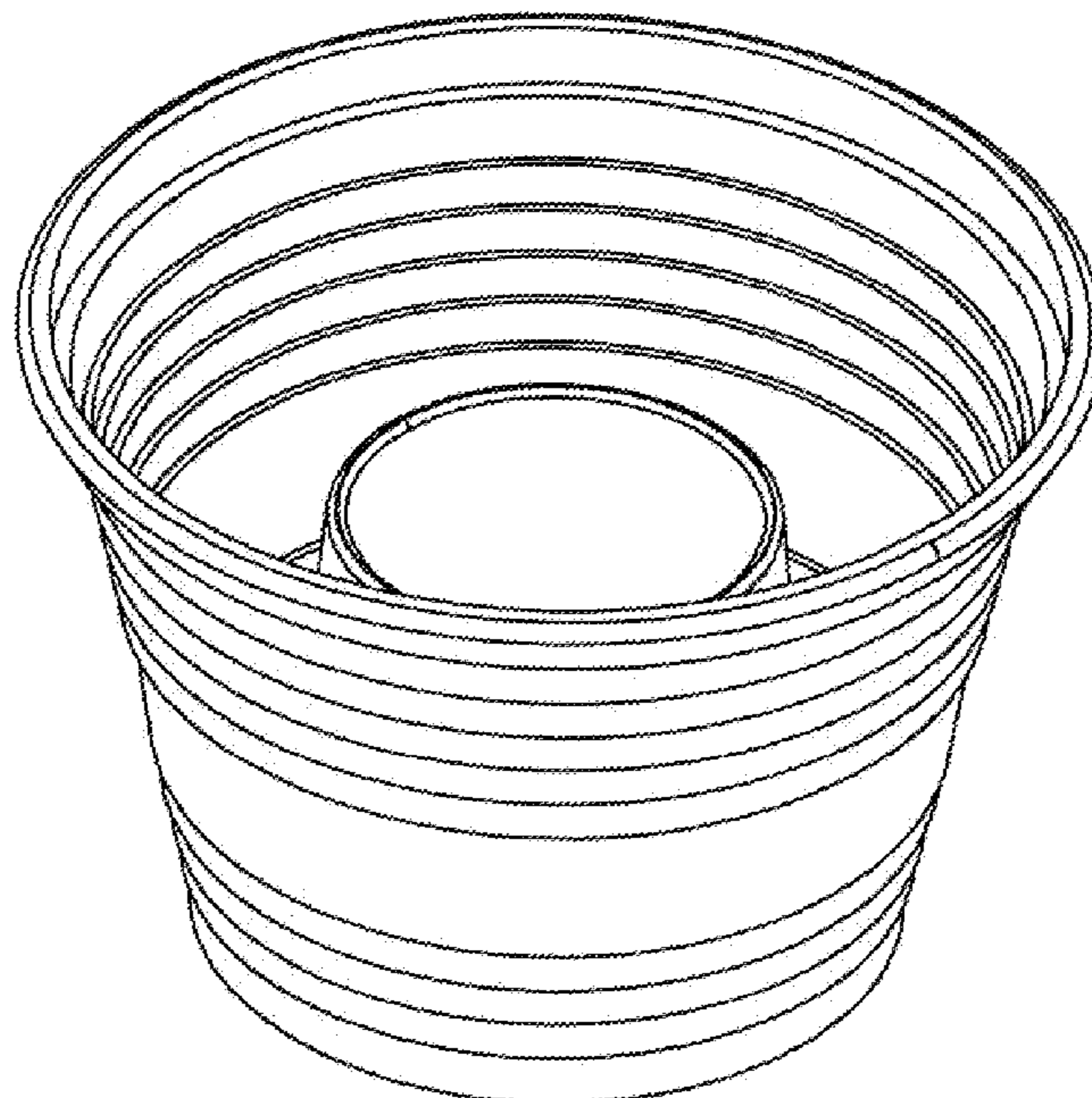
FIG. 4 is a side elevational view of the drinking cup of FIG. 1, other sides of the drinking cup are identical to the side illustrated in FIG. 4;

FIG. 5 is a top plan view of the drinking cup of FIG. 1;

FIG. 6 is a bottom plan view of the drinking cup of FIG. 1; and,

FIG. 7 is a sectional view taken along line 7—7 of FIG. 5.

**1 Claim, 4 Drawing Sheets**



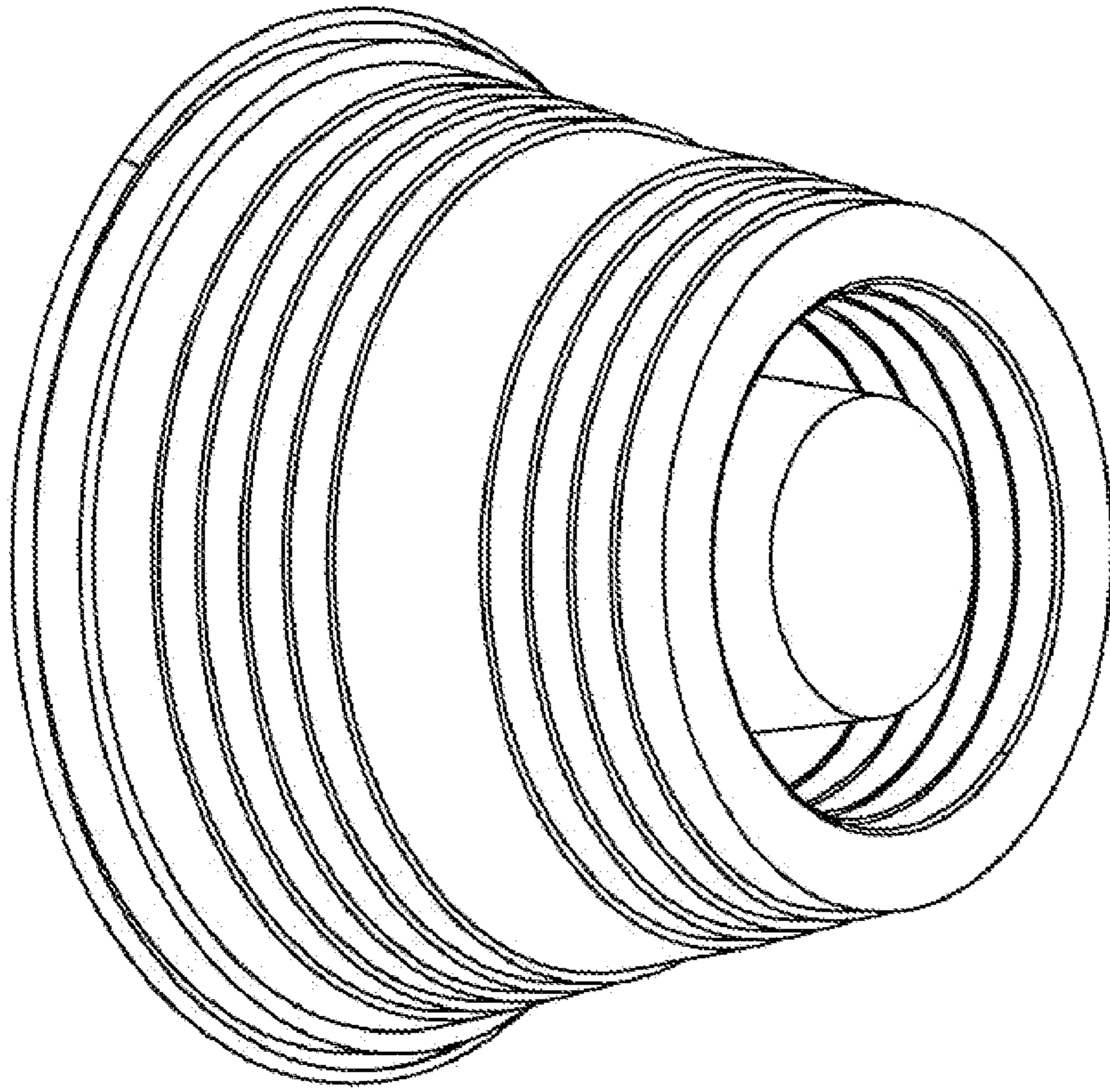


Fig.2

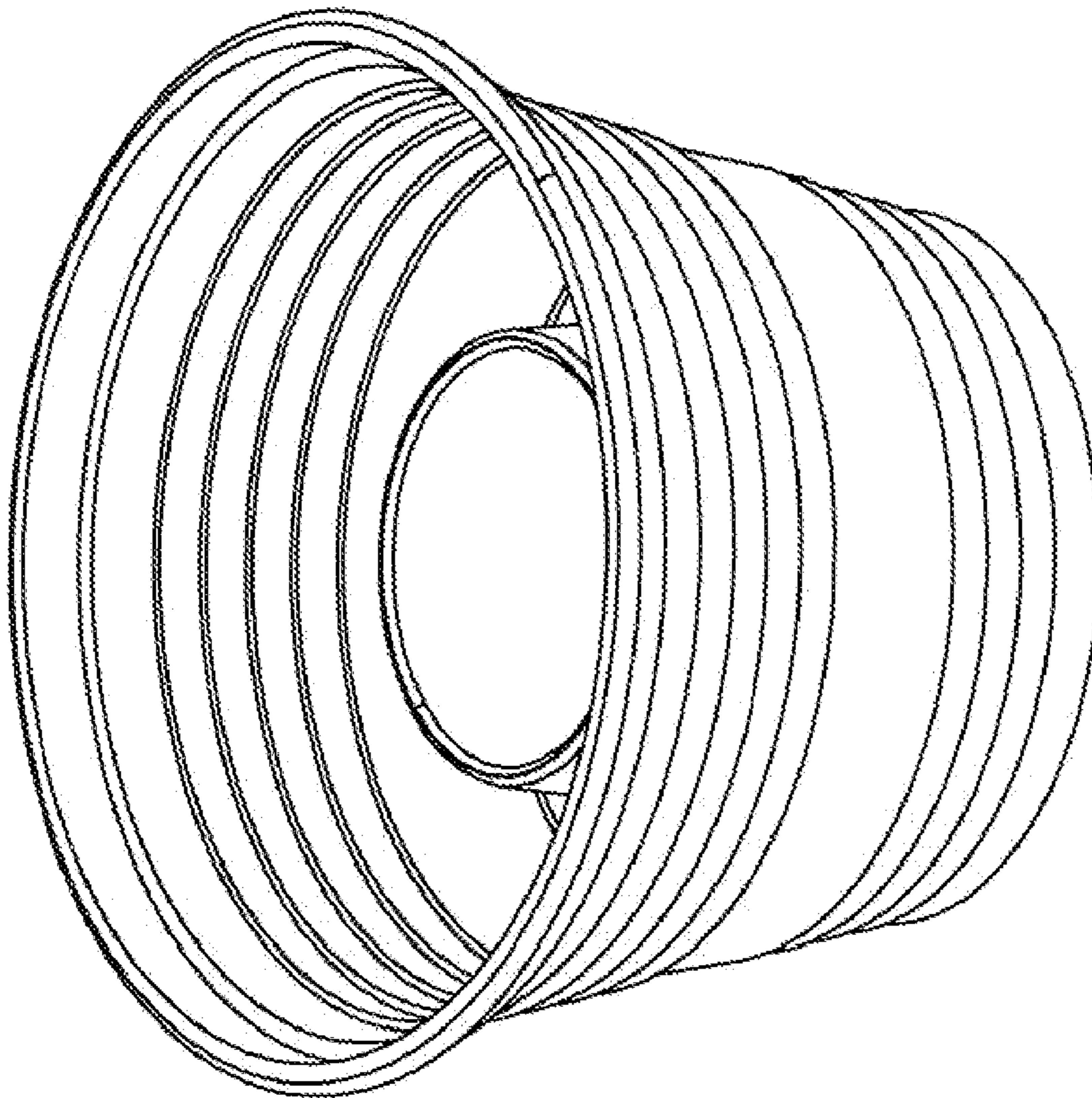


Fig.1



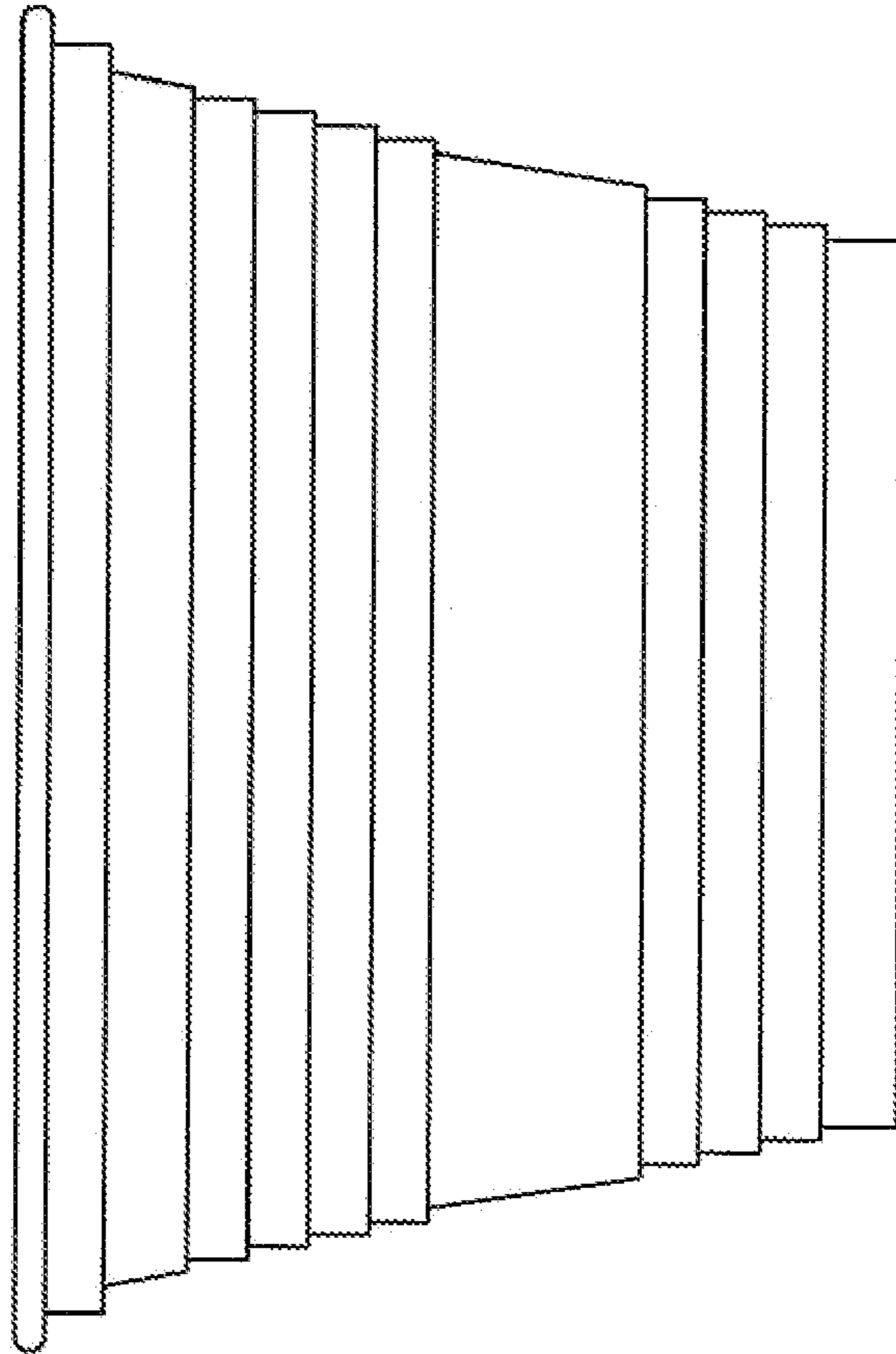


Fig.4

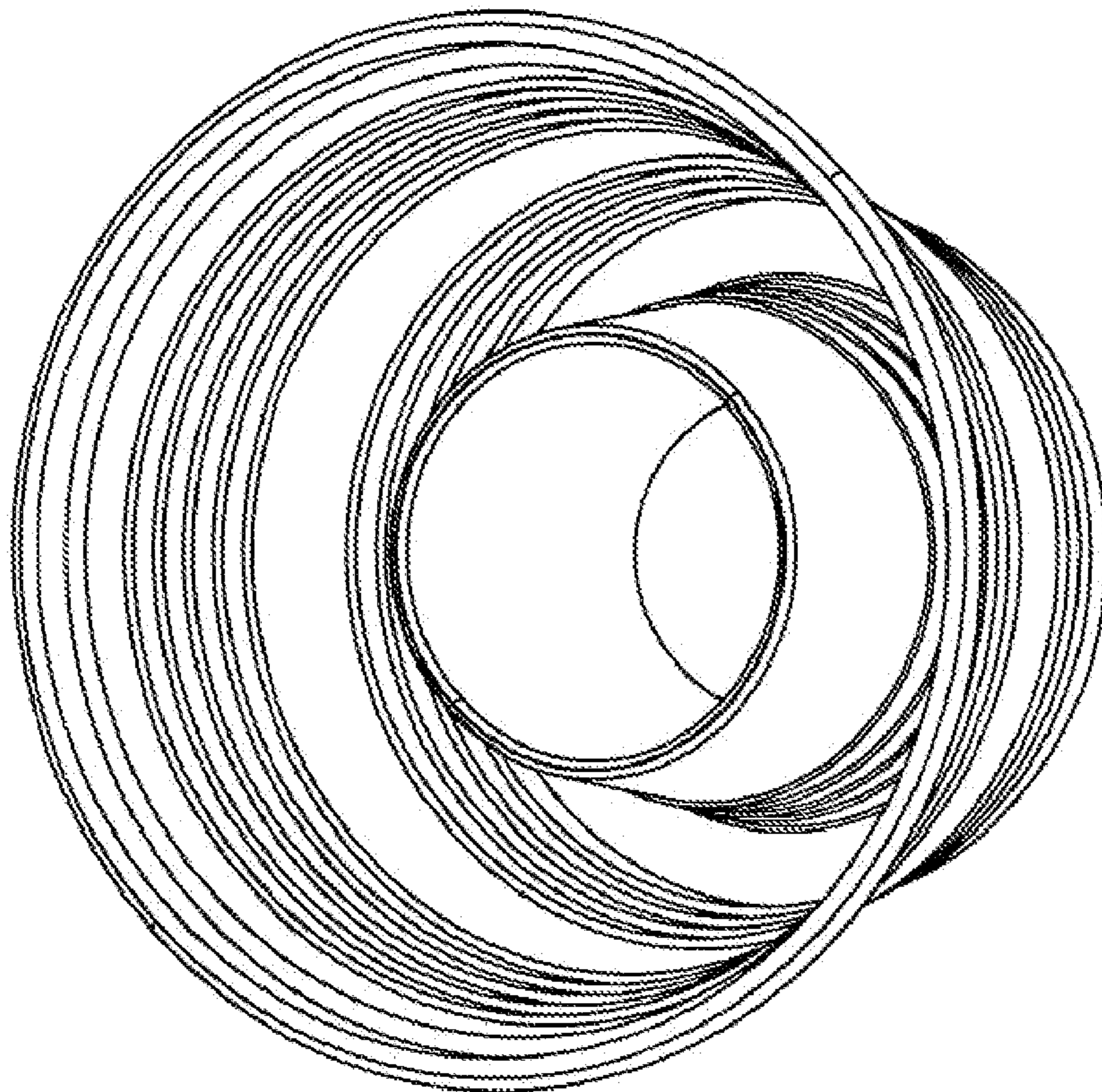


Fig.3



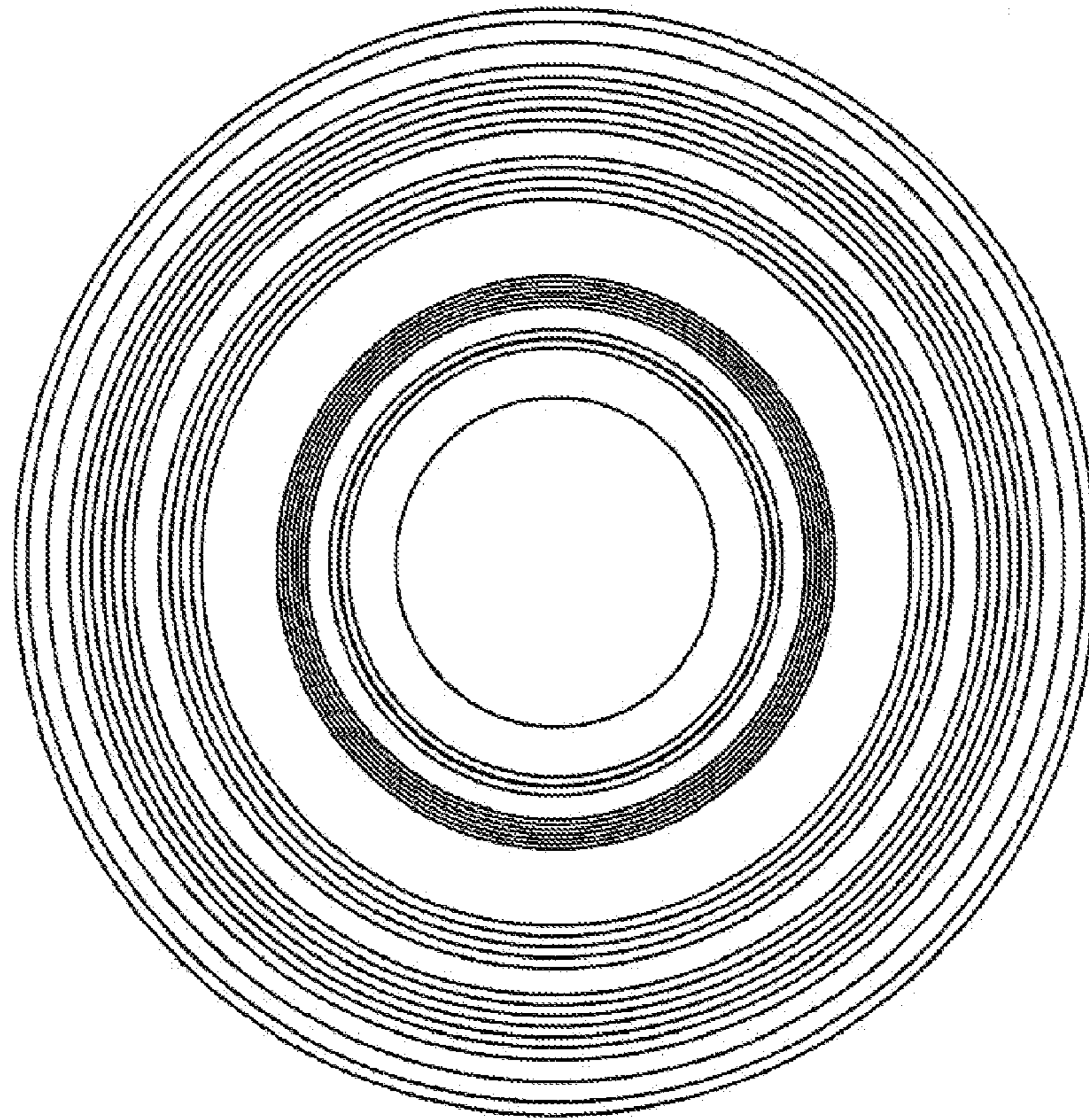


Fig.6

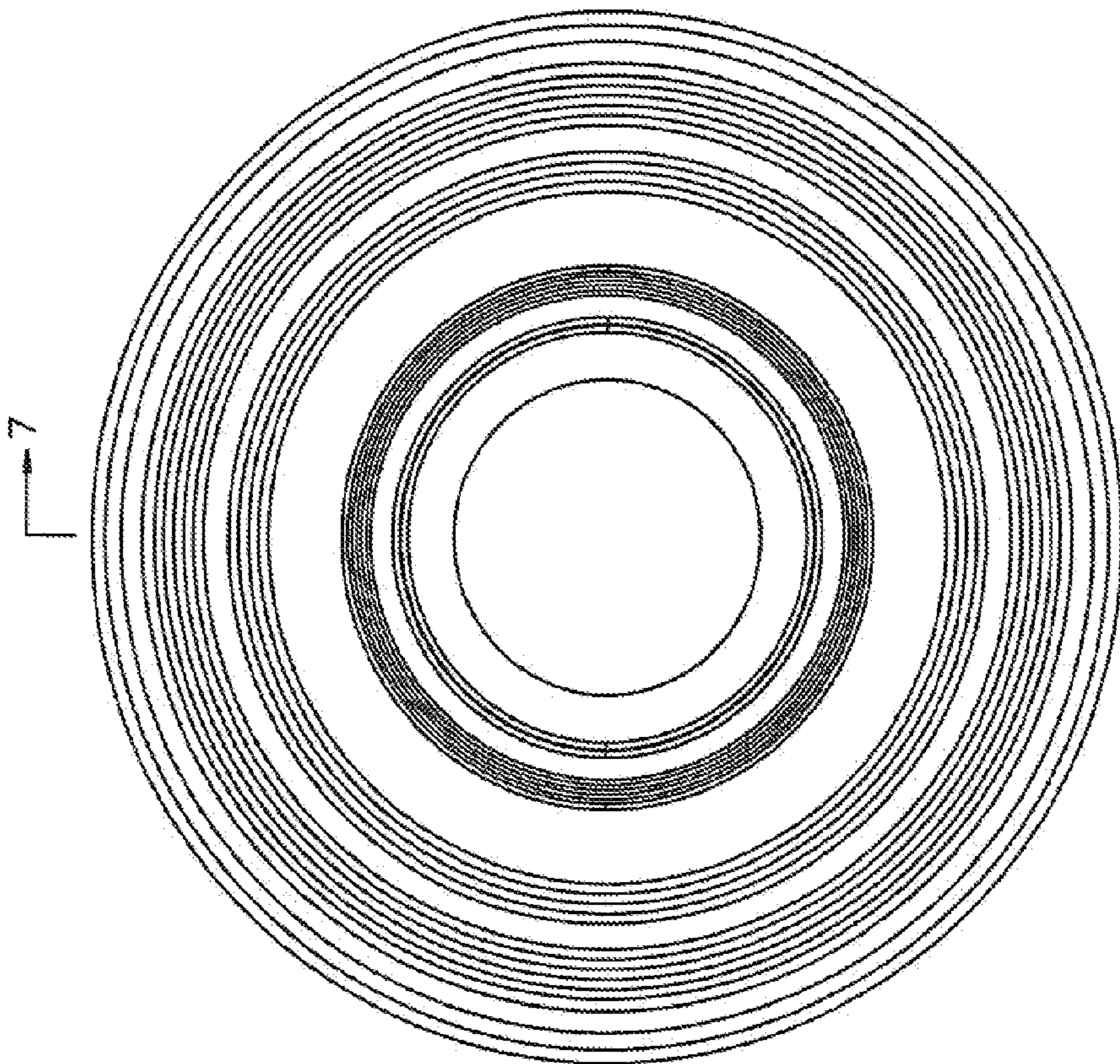


Fig.5

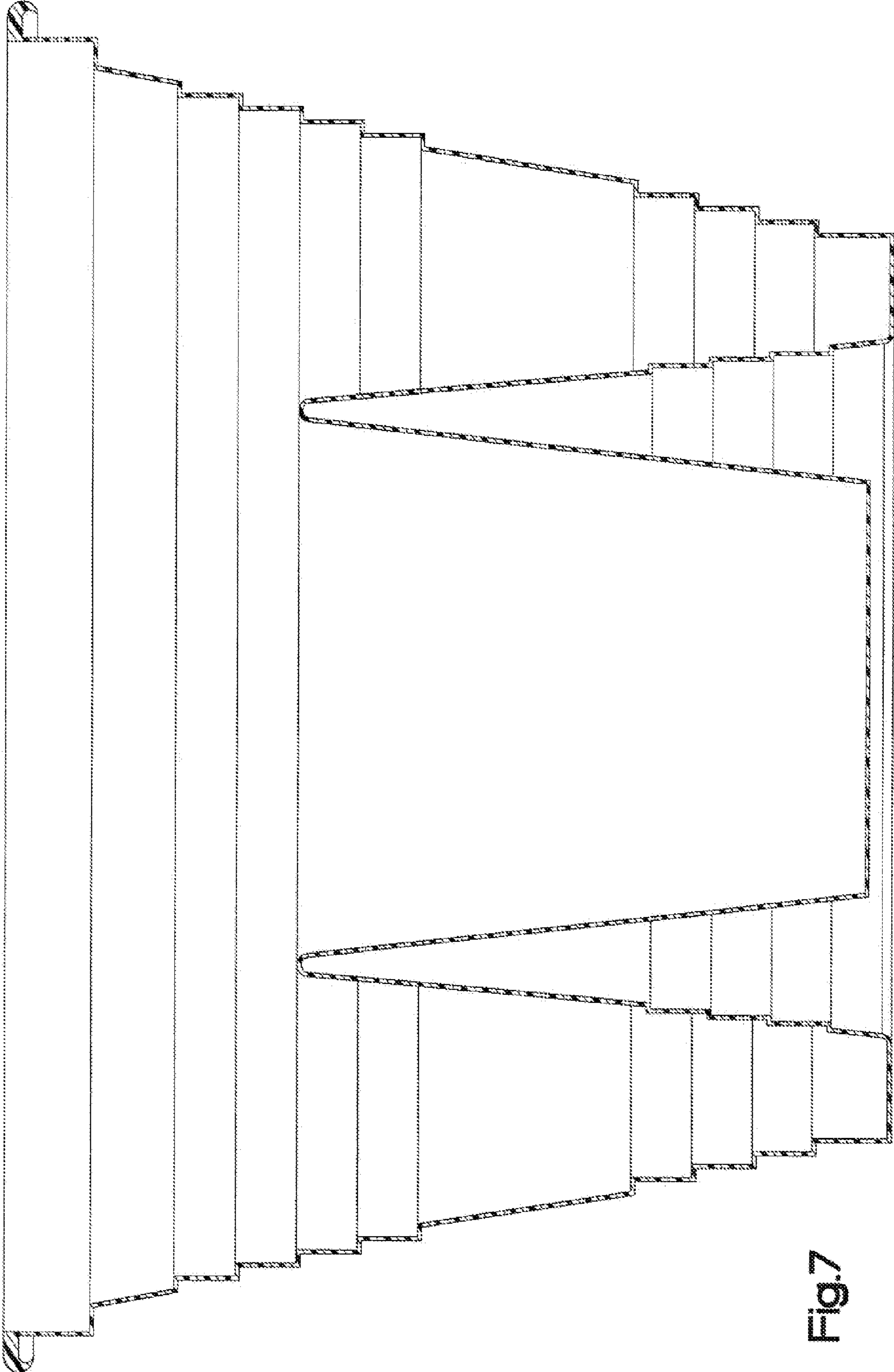


Fig. 7