



US00D607690S

(12) **United States Design Patent**
Bodum

(10) **Patent No.:** **US D607,690 S**
(45) **Date of Patent:** **** Jan. 12, 2010**

(54) **MILK FROTHER**

(75) Inventor: **Jorgen Bodum**, Meggen (CH)

(73) Assignee: **Pi-Design AG**, Triengen (CH)

(**) Term: **14 Years**

(21) Appl. No.: **29/336,534**

(22) Filed: **May 5, 2009**

(30) **Foreign Application Priority Data**

Nov. 28, 2008 (WO) DM/071004

(51) **LOC (9) Cl.** **31-00**

(52) **U.S. Cl.** **D7/376; D7/412; D7/378;**
D7/384

(58) **Field of Classification Search** D7/306-313,
D7/317-318, 356, 376-386, 392, 397-399,
D7/412-415, 607, 665, 688, 693; 99/348,
99/492, 509-511; 241/101.1, 274-278.2,
241/282.2, 285.1-285.3, 291, 292.1; 366/64-67,
366/98, 129, 192, 197-211, 205-206, 251,
366/270, 279-292, 312, 327.3, 343

See application file for complete search history.

(56) **References Cited**

U.S. PATENT DOCUMENTS

D163,376 S * 5/1951 Ernst D7/379
D169,829 S * 6/1953 Seyfried et al. D7/379
D362,793 S * 10/1995 Khan et al. D7/688
5,730,525 A * 3/1998 Browne 366/197

D421,872 S * 3/2000 Wong D7/376
D453,664 S * 2/2002 Brady D7/598
D490,647 S * 6/2004 Buesching D7/379
D533,023 S * 12/2006 Lo D7/379
D539,602 S * 4/2007 Lin D7/379

FOREIGN PATENT DOCUMENTS

CH 133367 11/2007
WO 2008/049246 A2 5/2008
WO 2009/059439 A1 5/2009

* cited by examiner

Primary Examiner—Caron Veynar

Assistant Examiner—Ricky Pham

(74) *Attorney, Agent, or Firm*—Sughrue Mion, PLLC

(57) **CLAIM**

The ornamental design for a milk frother, as shown and described.

DESCRIPTION

FIG. 1 is a perspective view of a milk frother showing my new design;

FIG. 2 is a front side elevation view thereof

FIG. 3 is a back side elevation view thereof

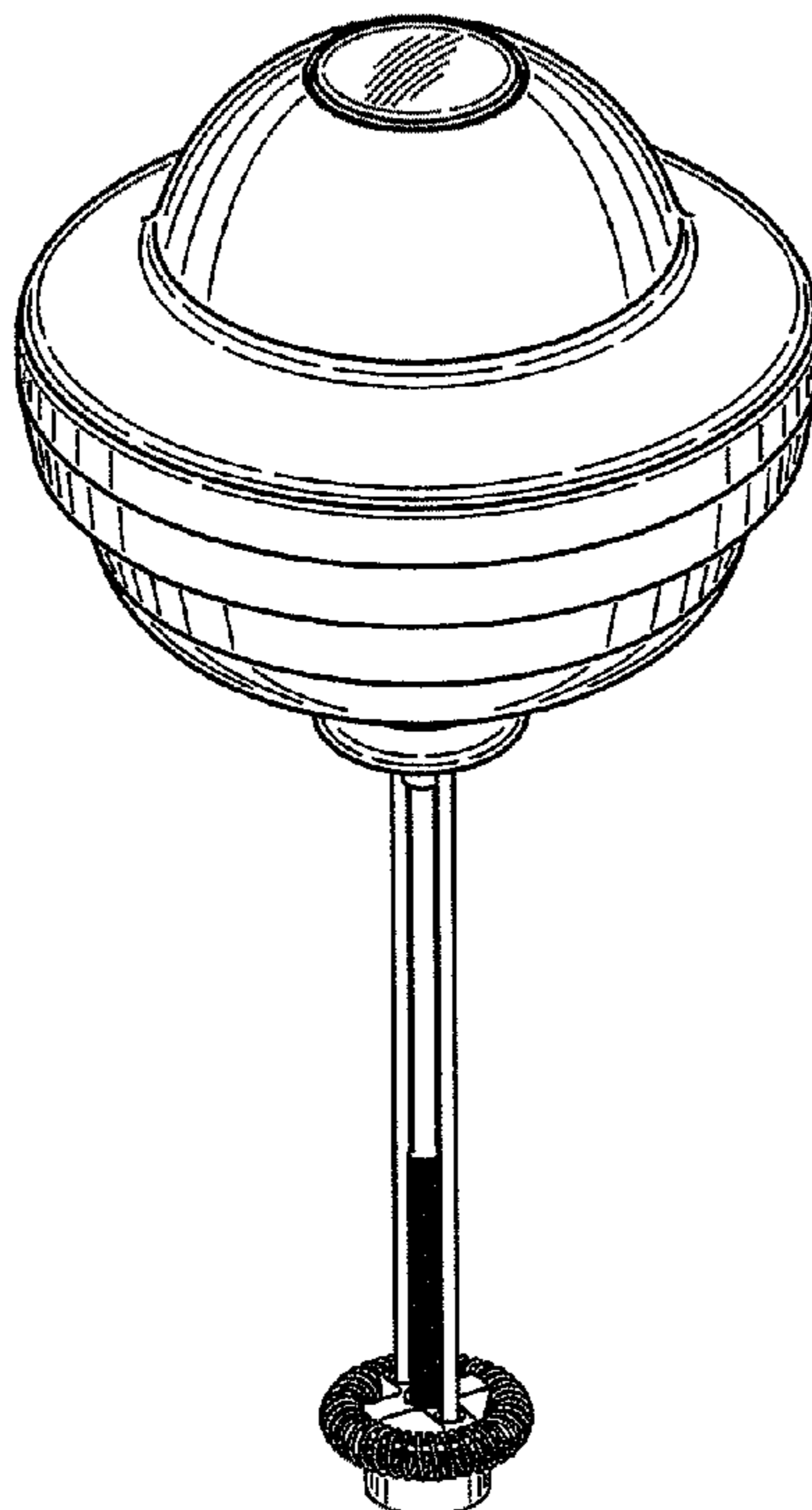
FIG. 4 is a right side elevation view thereof

FIG. 5 is a left side elevation view thereof

FIG. 6 is a top plan view thereof; and,

FIG. 7 is a bottom plan view thereof.

1 Claim, 7 Drawing Sheets



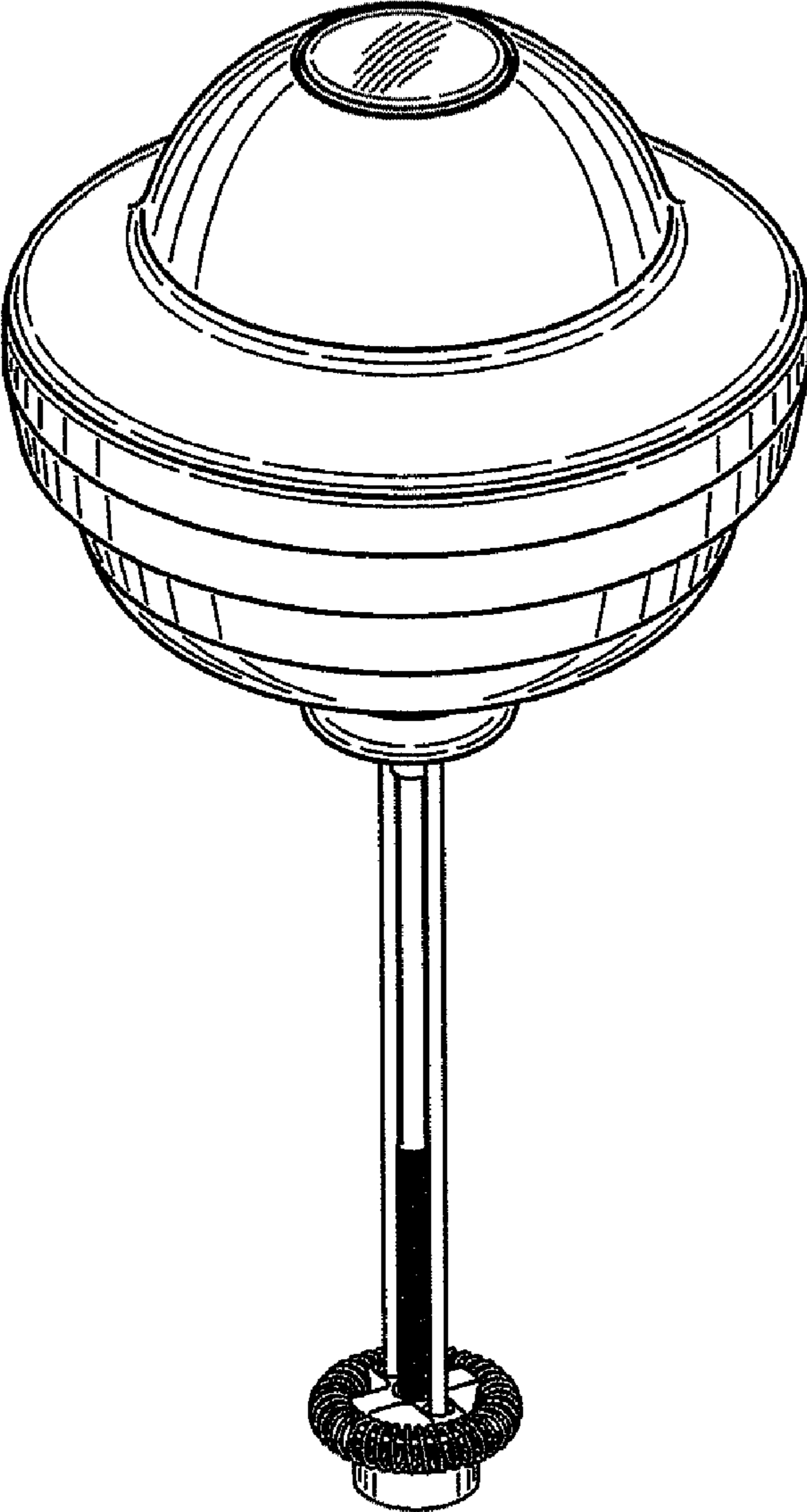


Figure 1

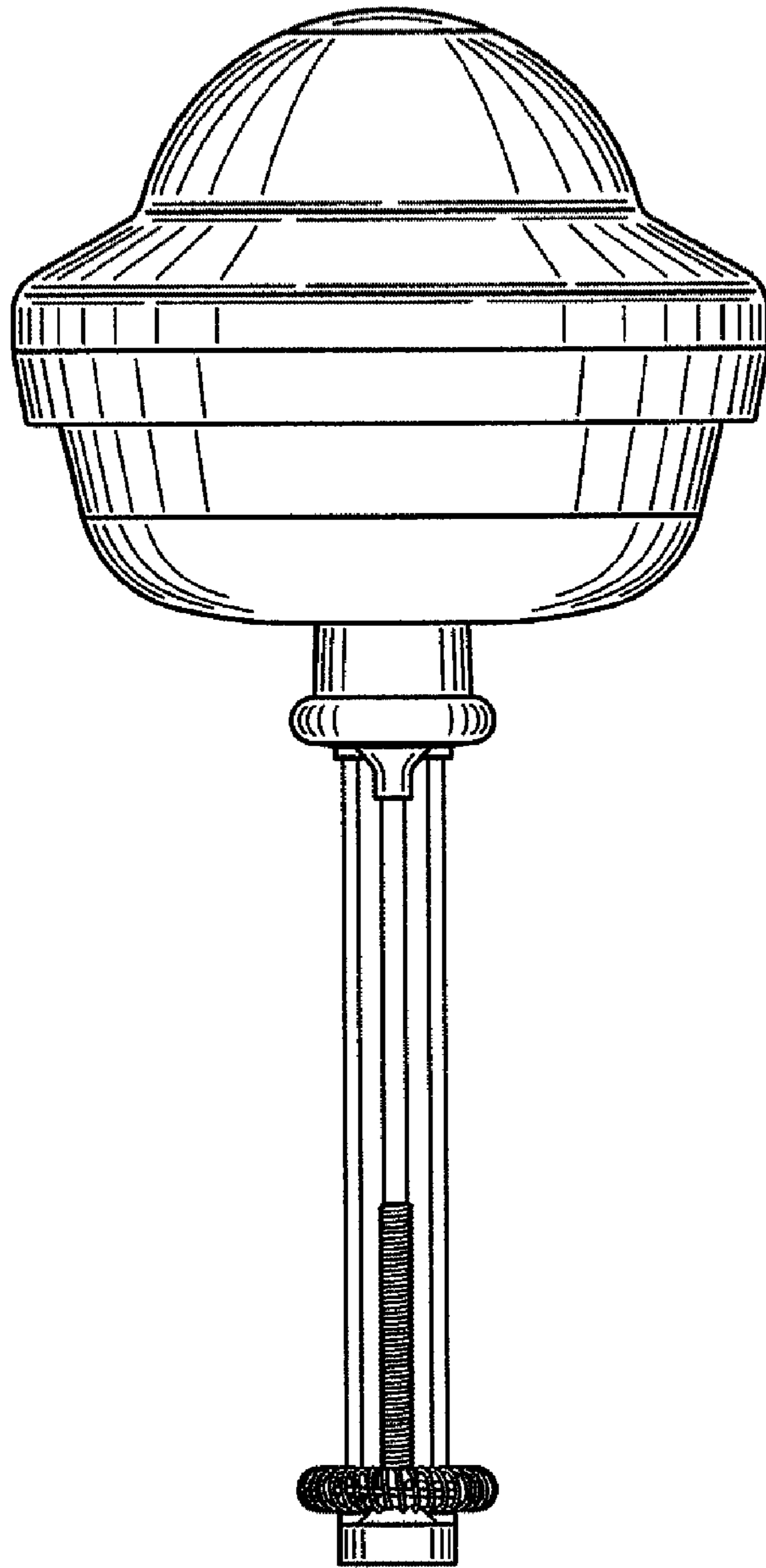


Figure 2

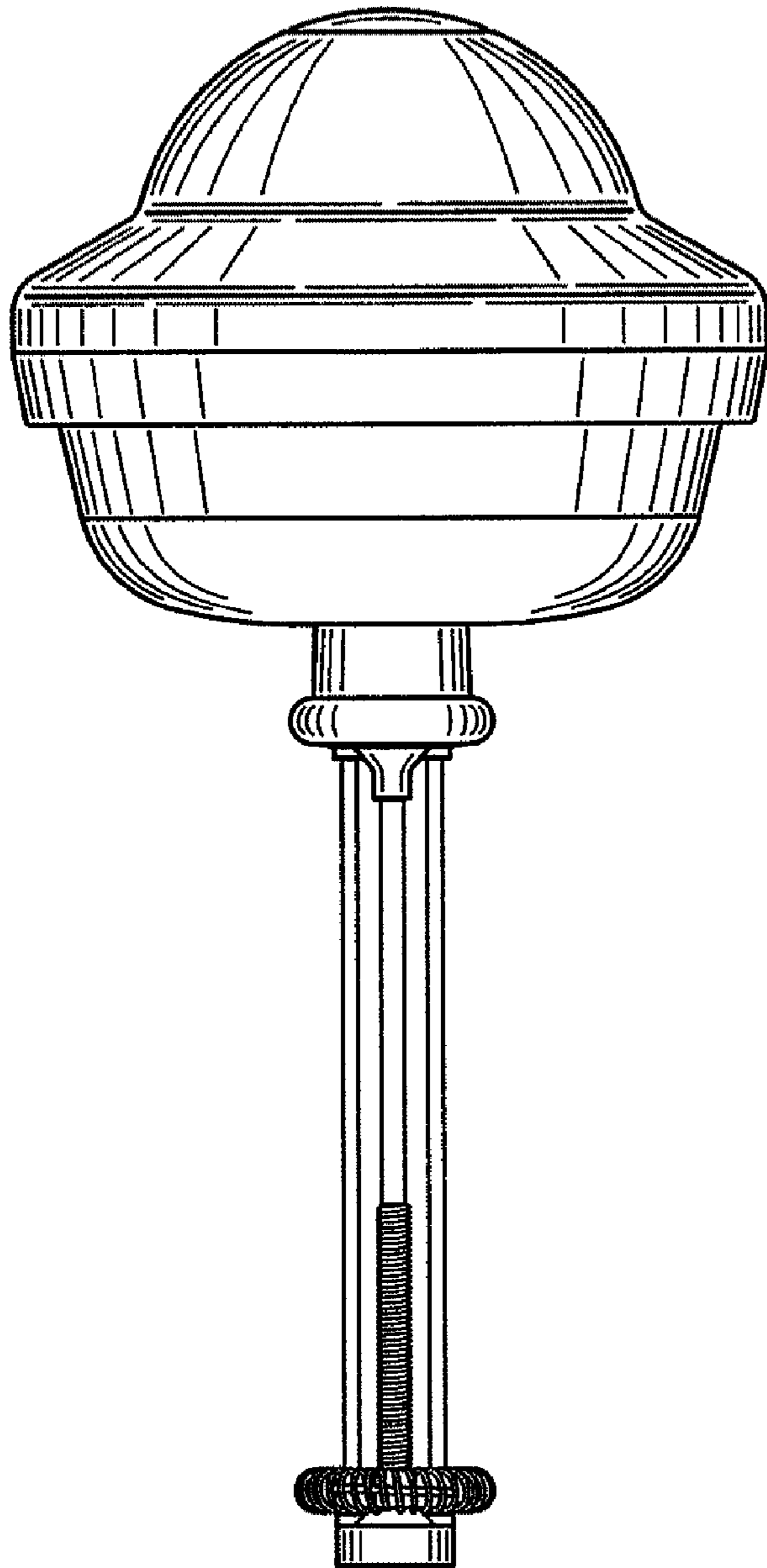


Figure 3

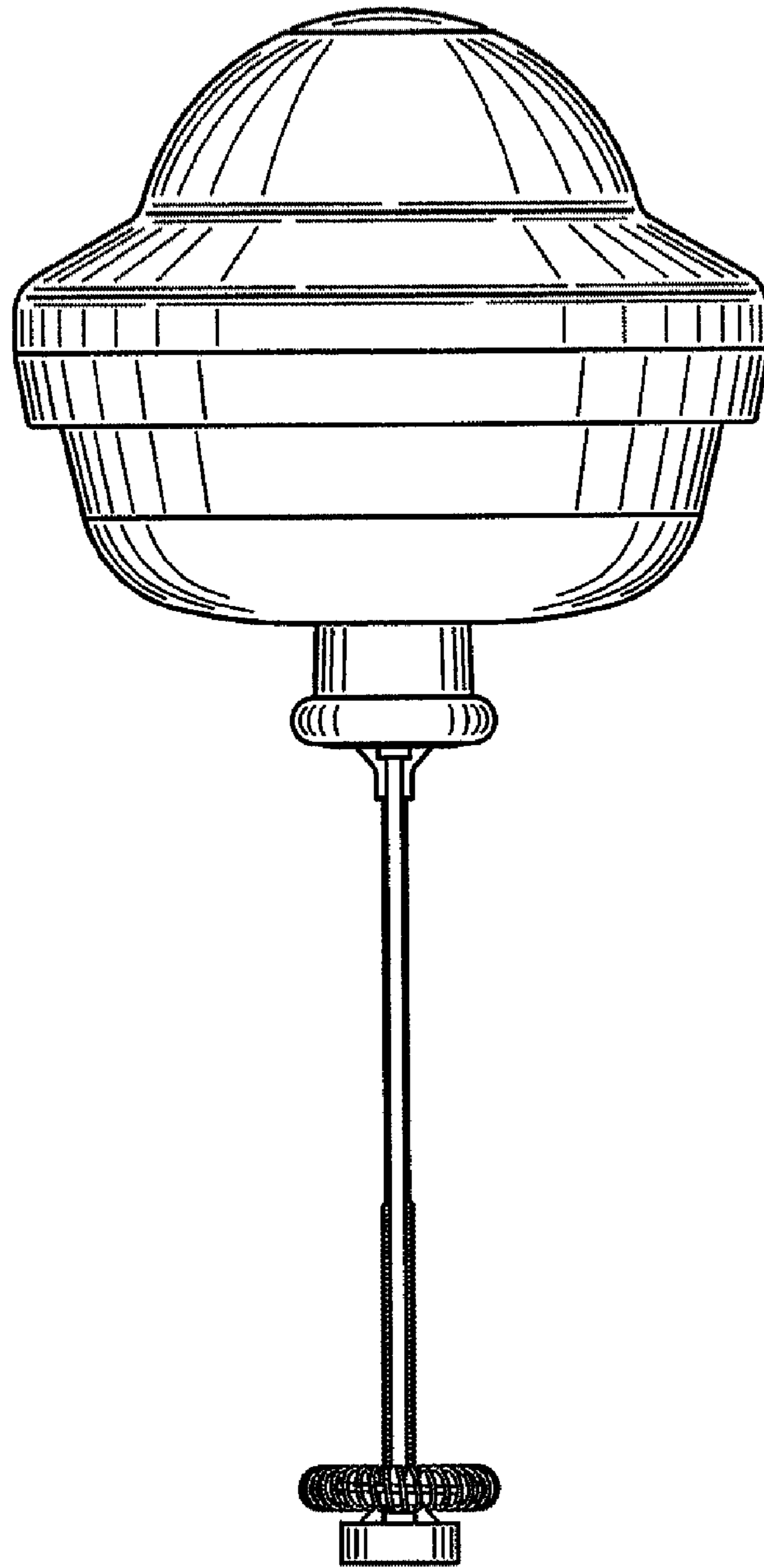


Figure 4

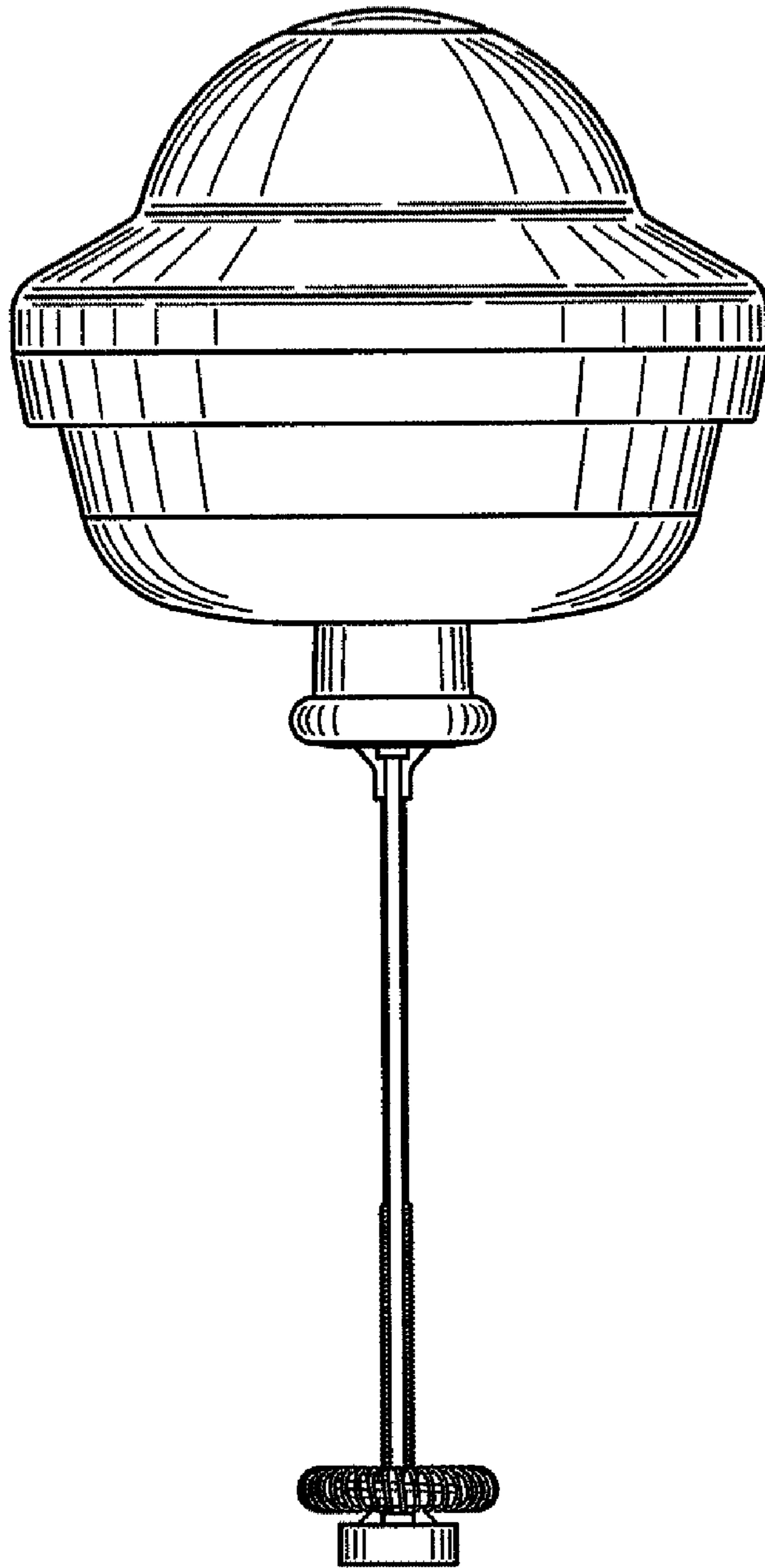


Figure 5

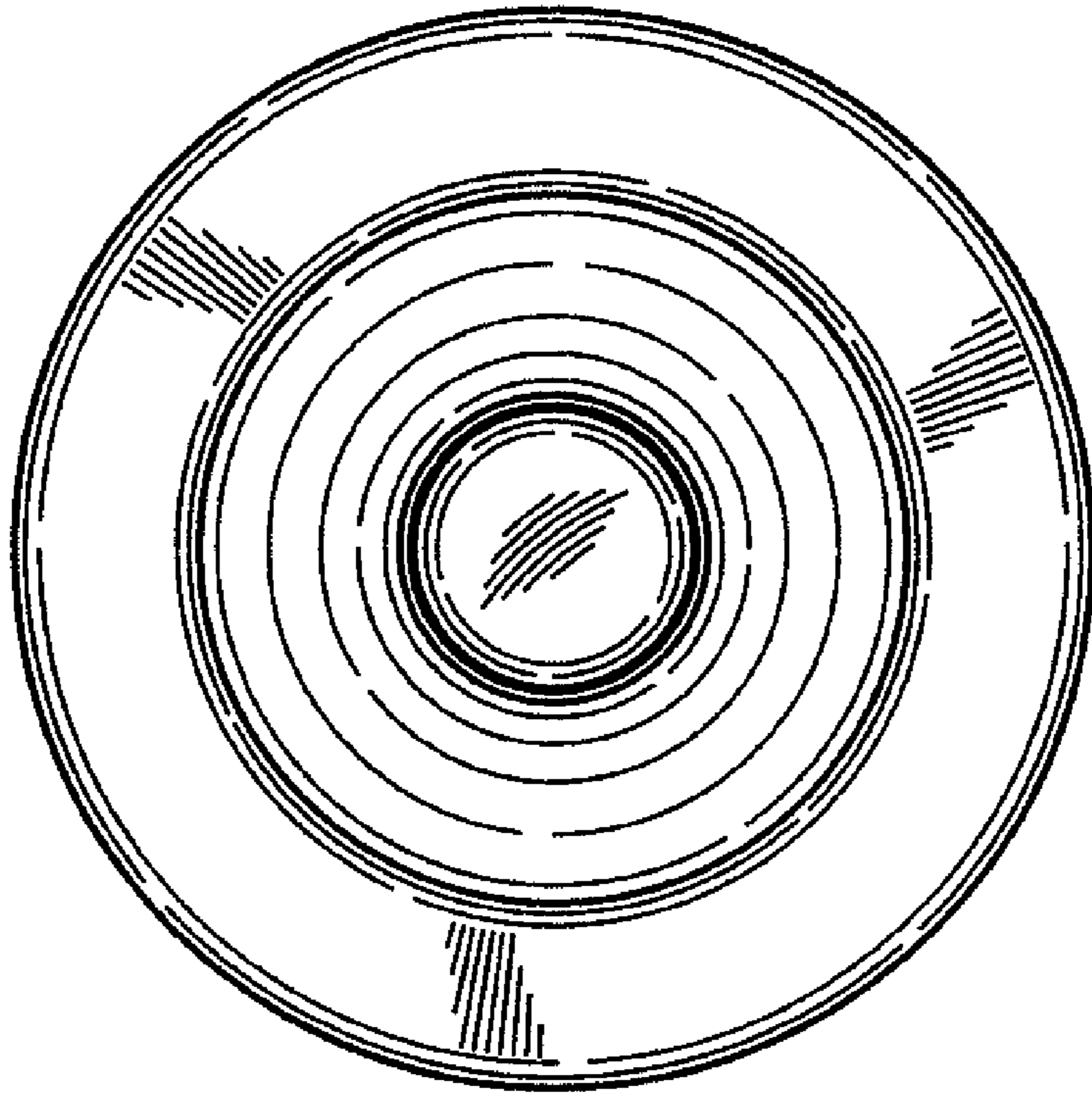


Figure 6

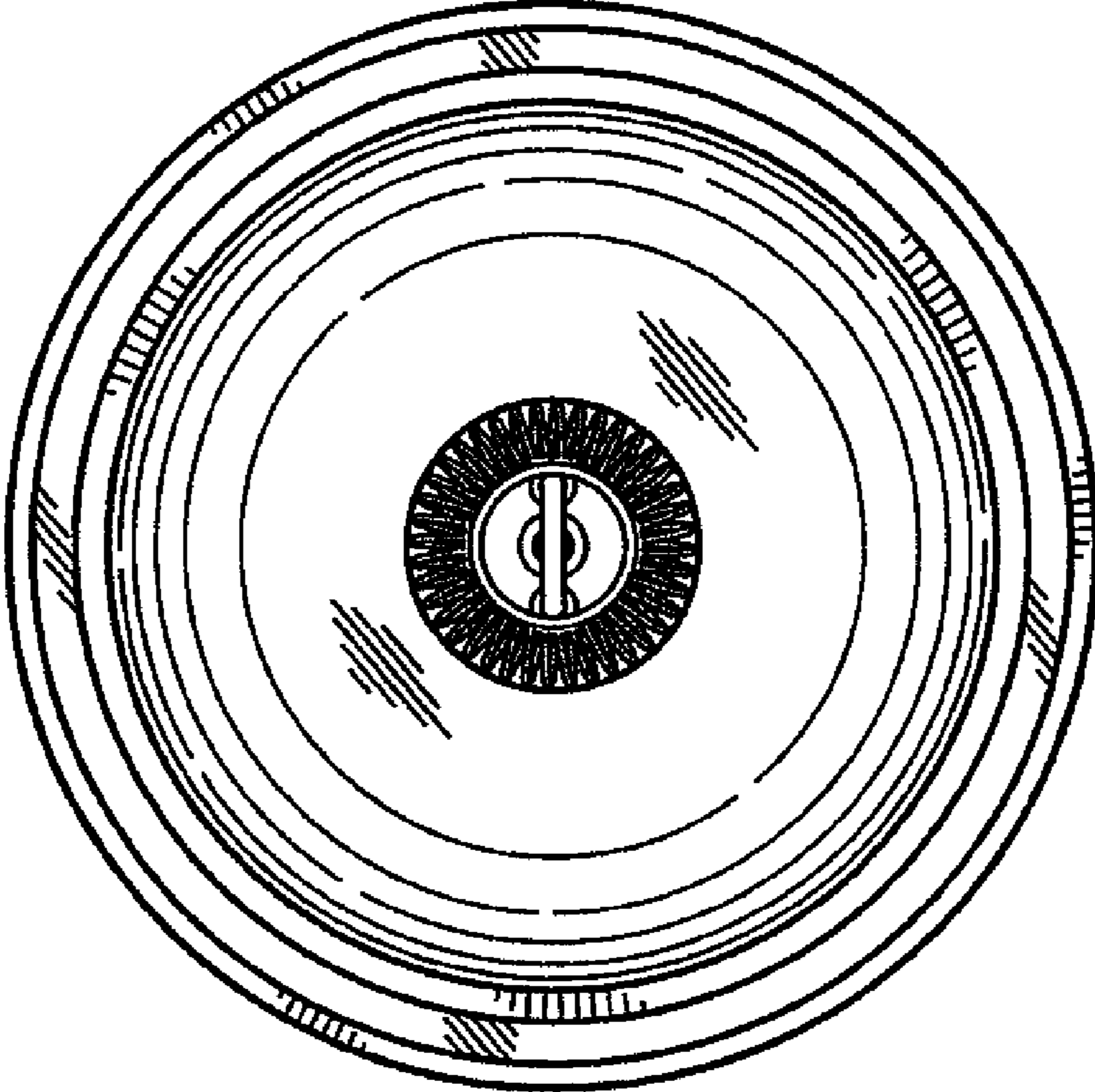


Figure 7