



US00D607685S

(12) **United States Design Patent**
Elissen

(10) **Patent No.:** **US D607,685 S**

(45) **Date of Patent:** **** *Jan. 12, 2010**

(54) **MILK FROTHER**

(75) Inventor: **Petrus Adrianus Johannes Maria Elissen**, Laren (NL)

(73) Assignee: **Foremost, B.V.**, Eemnes (NL)

(*) Notice: This patent is subject to a terminal disclaimer.

(**) Term: **14 Years**

(21) Appl. No.: **29/337,122**

(22) Filed: **May 15, 2009**

(30) **Foreign Application Priority Data**

Apr. 20, 2009 (EM) 1124481

(51) **LOC (9) Cl.** **07-01**

(52) **U.S. Cl.** **D7/318; D7/317**

(58) **Field of Classification Search** D7/376,
D7/312, 316-319, 322; 222/465.1; 99/297,
99/287, 285, 323.3

See application file for complete search history.

(56) **References Cited**

U.S. PATENT DOCUMENTS

3,512,686	A *	5/1970	Allen	222/472
D244,339	S *	5/1977	Wendt	D7/317
4,480,926	A	11/1984	Lattery, Jr. et al.		
D285,160	S *	8/1986	Osit	D7/317
D388,655	S *	1/1998	Flom et al.	D7/319
D389,007	S *	1/1998	Bouhuys	D7/319
D439,466	S *	3/2001	Bouhuys	D7/319
D444,204	S *	6/2001	Hilgers et al.	D23/207
D444,843	S *	7/2001	Hilgers et al.	D23/207
D445,628	S *	7/2001	McGroary	D7/318
6,431,058	B1 *	8/2002	Binot et al.	99/331
D475,233	S *	6/2003	De Visser	D7/317
D492,879	S *	7/2004	Allemand	D7/318
D501,624	S *	2/2005	Kaposi	D7/318
D507,449	S *	7/2005	Burton et al.	D7/309
D545,111	S *	6/2007	Brown	D7/317

D548,510	S *	8/2007	Huang	D7/318
D553,898	S *	10/2007	De' Longhi	D7/321
D554,425	S *	11/2007	Schwamkrug	D7/318
D584,912	S *	1/2009	Green et al.	D7/318
D586,172	S *	2/2009	Brizio	D7/319
D586,605	S *	2/2009	Ma et al.	D7/317
D586,606	S *	2/2009	Ma et al.	D7/319
D587,957	S *	3/2009	Imai	D7/317
2001/0036124	A1	11/2001	Rubenstein		

FOREIGN PATENT DOCUMENTS

CN	201033032	3/2008
CN	201061480	5/2008
DE	19645564 A1	5/1998
EP	1656866 A1	5/2006
GB	2454421 A	6/2009
KR	1020060010100 A	10/2006
WO	2009020384 A1	2/2009

* cited by examiner

Primary Examiner—Marianne Pandozzi

(74) *Attorney, Agent, or Firm*—Gottlieb, Rackman & Reisman, P.C.

(57) **CLAIM**

The ornamental design for a milk frother, as shown and described.

DESCRIPTION

FIG. 1 is a the top, front and left perspective view of a milk frother in a closed position, showing my new design;

FIG. 2 is a left side view thereof;

FIG. 3 is a right side view thereof;

FIG. 4 is a front view thereof;

FIG. 5 is a rear view thereof;

FIG. 6 is a top view thereof; and,

FIG. 7 is a bottom view thereof.

The broken lines showing of the environment in FIG. 7 are for illustrative purposes only and form no part of the claimed design.

1 Claim, 7 Drawing Sheets

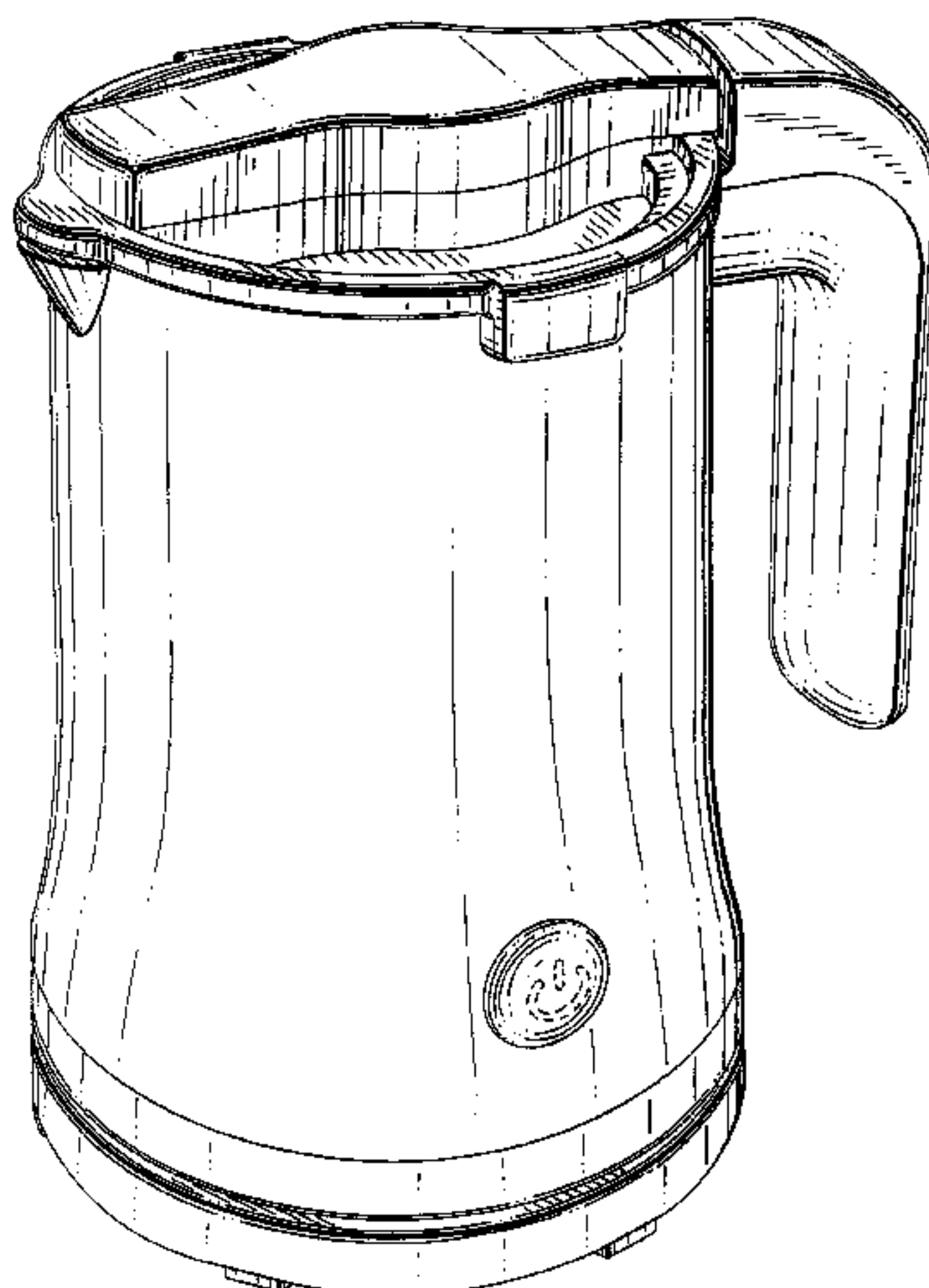


FIG. 1



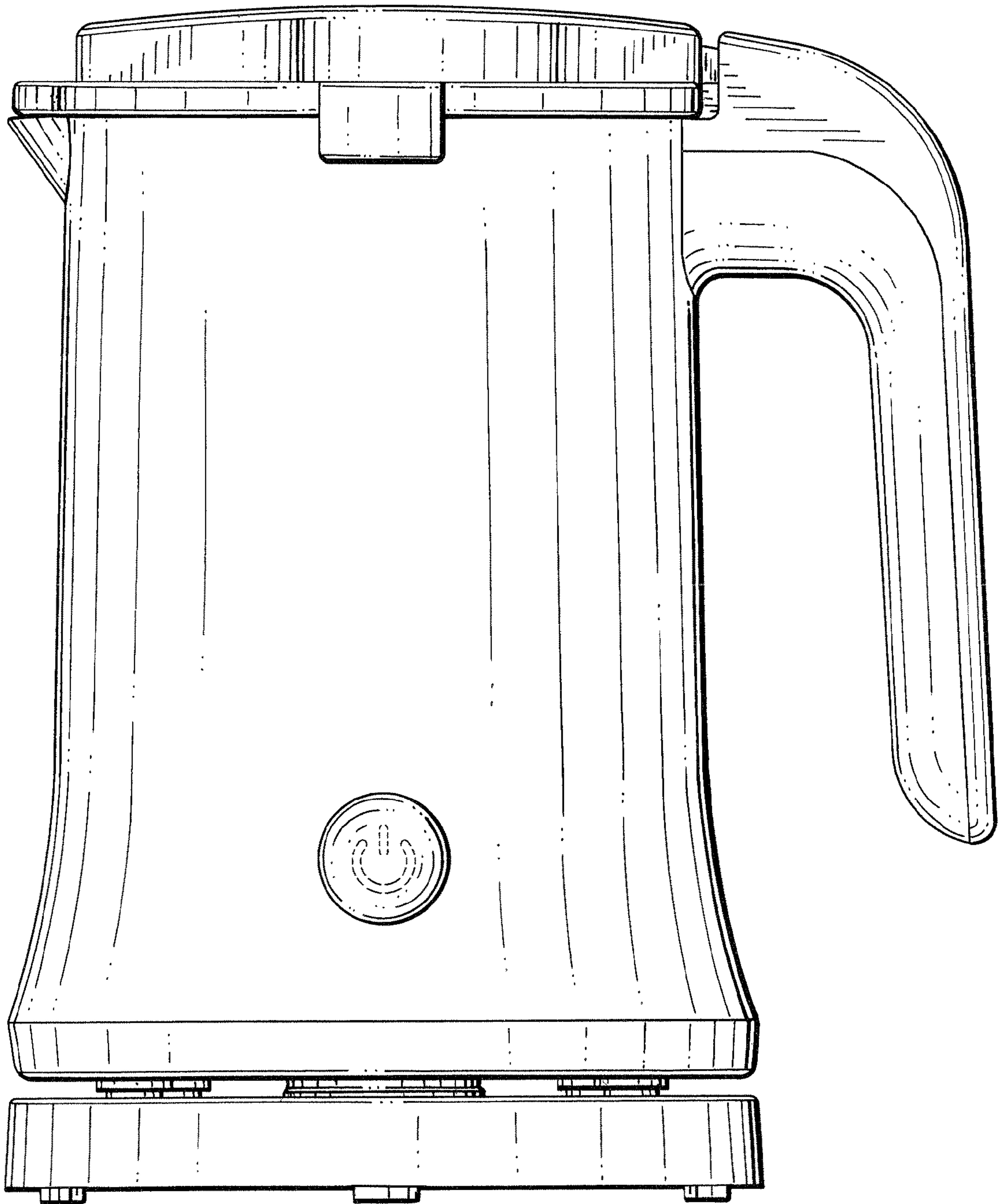


FIG. 2

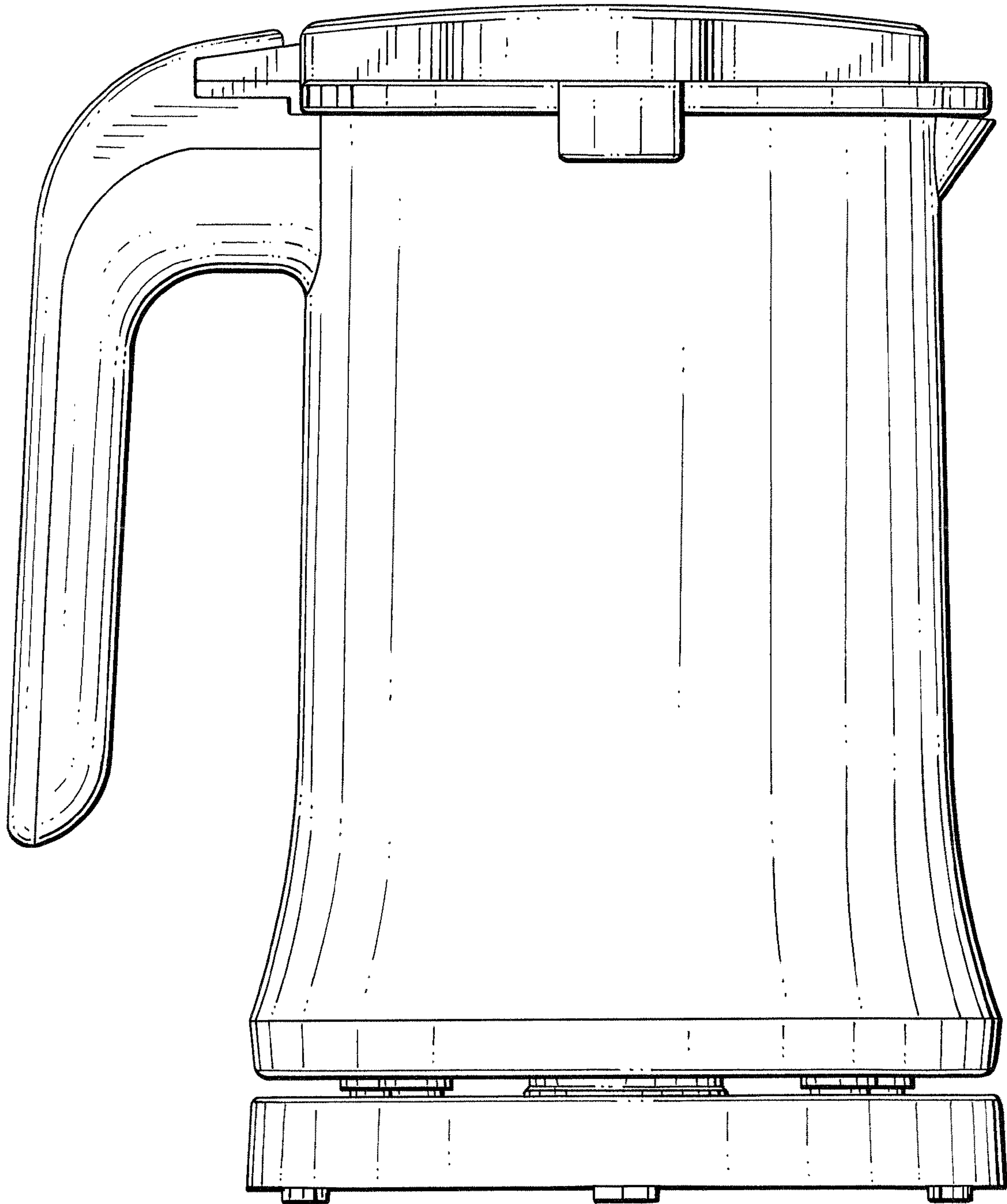


FIG. 3



FIG. 4

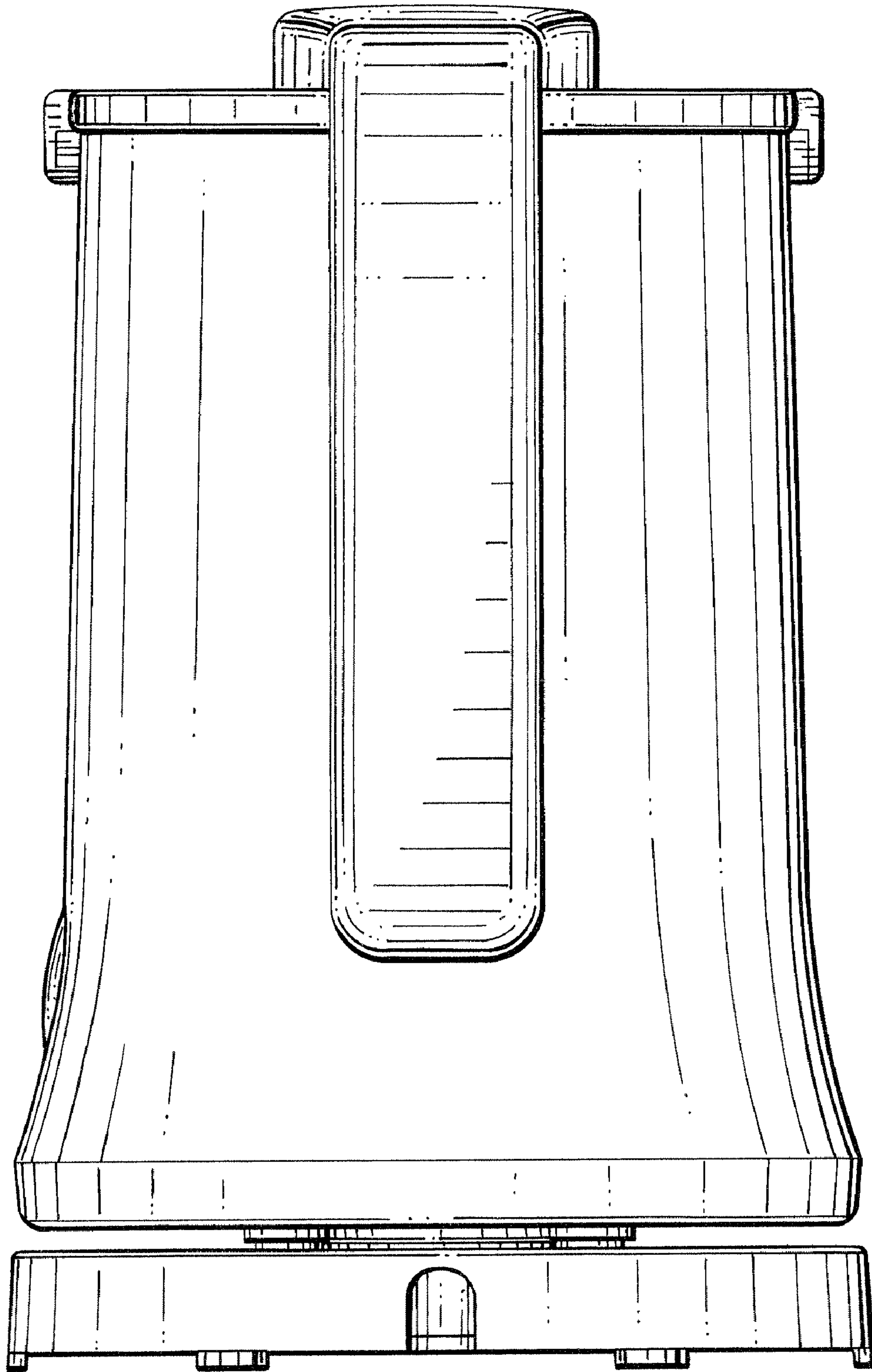


FIG. 5

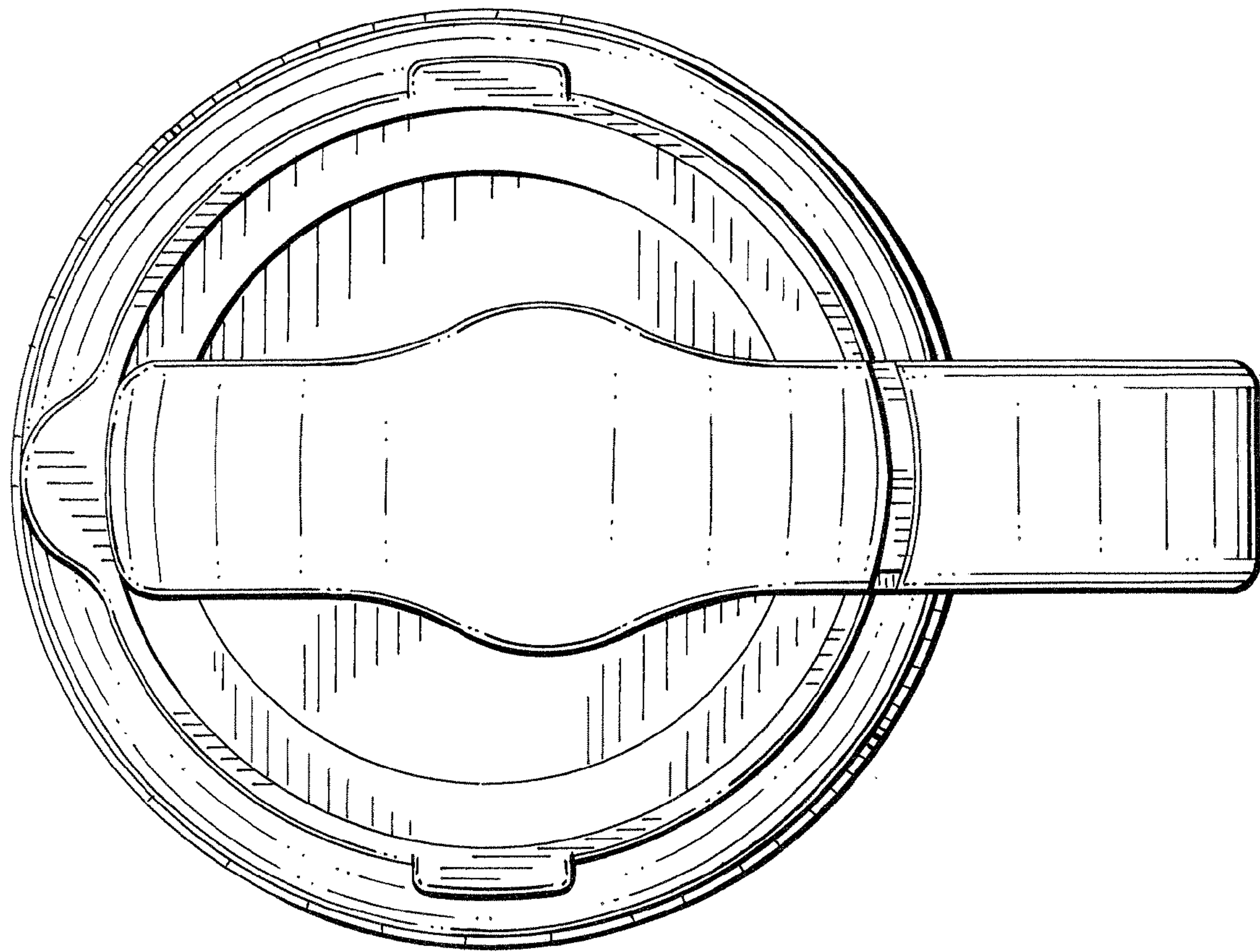


FIG. 6

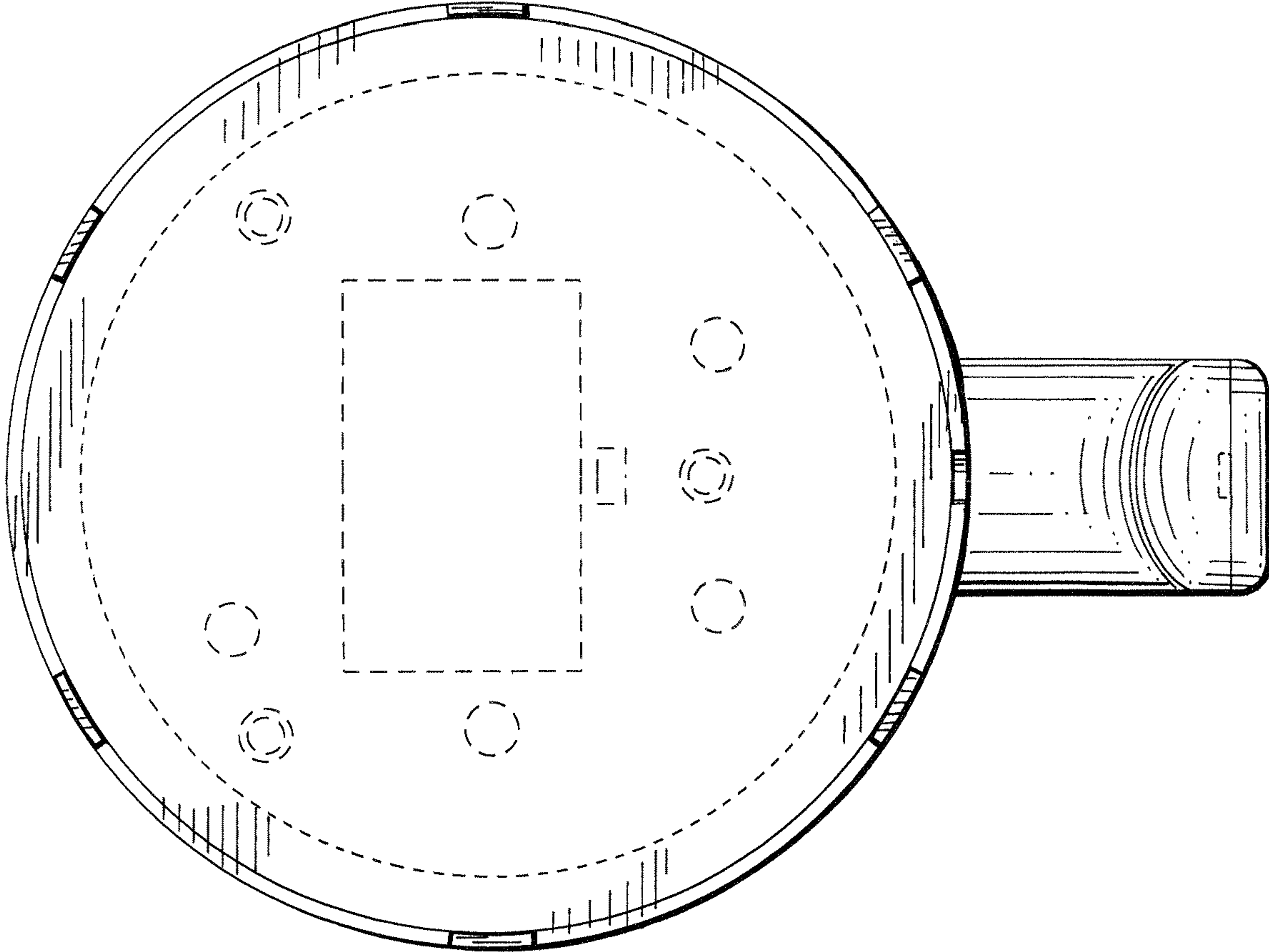


FIG. 7