



US00D607677S

(12) **United States Design Patent**  
**Mullett et al.**

(10) **Patent No.:** **US D607,677 S**  
(45) **Date of Patent:** **\*\* Jan. 12, 2010**

(54) **PORTABLE SANITARY DISPENSER ASSEMBLY**

(75) Inventors: **Rodney M. Mullett**, Hammond, IN (US); **Vaughan D. Smith, II**, Markham, IL (US); **Jamie P. Kostelyk**, Hammond, IN (US)

(73) Assignee: **PolyJohn Enterprises Corporation**, Whiting, IN (US)

(\*\*) Term: **14 Years**

(21) Appl. No.: **29/273,225**

(22) Filed: **Feb. 28, 2007**

(51) **LOC (9) Cl.** ..... **20-02**

(52) **U.S. Cl.** ..... **D6/518**

(58) **Field of Classification Search** ..... D6/518-523;  
206/389, 390, 395; 221/282-283; 312/34.8;  
242/570, 560, 590, 597.7, 598

See application file for complete search history.

(56) **References Cited**

**U.S. PATENT DOCUMENTS**

D423,263 S \* 4/2000 King et al. .... D6/518

D522,785 S \* 6/2006 Brady ..... D6/518  
D543,745 S \* 6/2007 Goeking et al. .... D6/520  
D547,983 S \* 8/2007 Jackson, III ..... D6/520  
D556,483 S \* 12/2007 Voelker et al. .... D6/520  
D570,142 S \* 6/2008 Lin ..... D6/515  
D591,990 S \* 5/2009 Serfaty ..... D6/518

\* cited by examiner

*Primary Examiner*—Brian N Vinson

(74) *Attorney, Agent, or Firm*—Harness, Dickey & Pierce P.L.C.

(57) **CLAIM**

The ornamental design for a portable sanitary dispenser assembly, as shown and described.

**DESCRIPTION**

FIG. 1 is a perspective view of a portable sanitary dispenser assembly;

FIG. 2 is a top plan view thereof; and,

FIG. 3 is a bottom plan view thereof.

The broken-line areas are understood to represent portions of the article in which the claimed design is embodied, but not forming part of the claimed design.

**1 Claim, 2 Drawing Sheets**

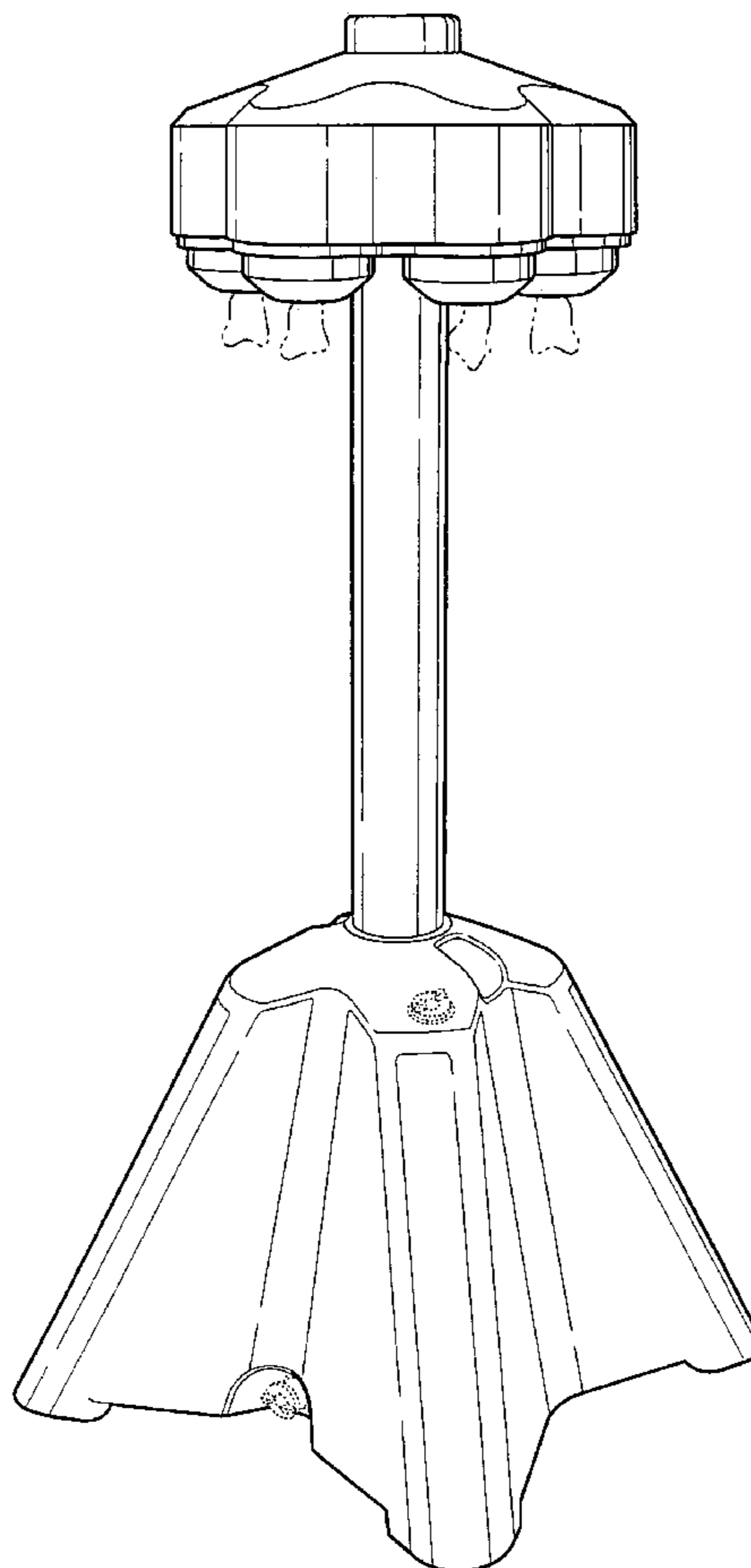
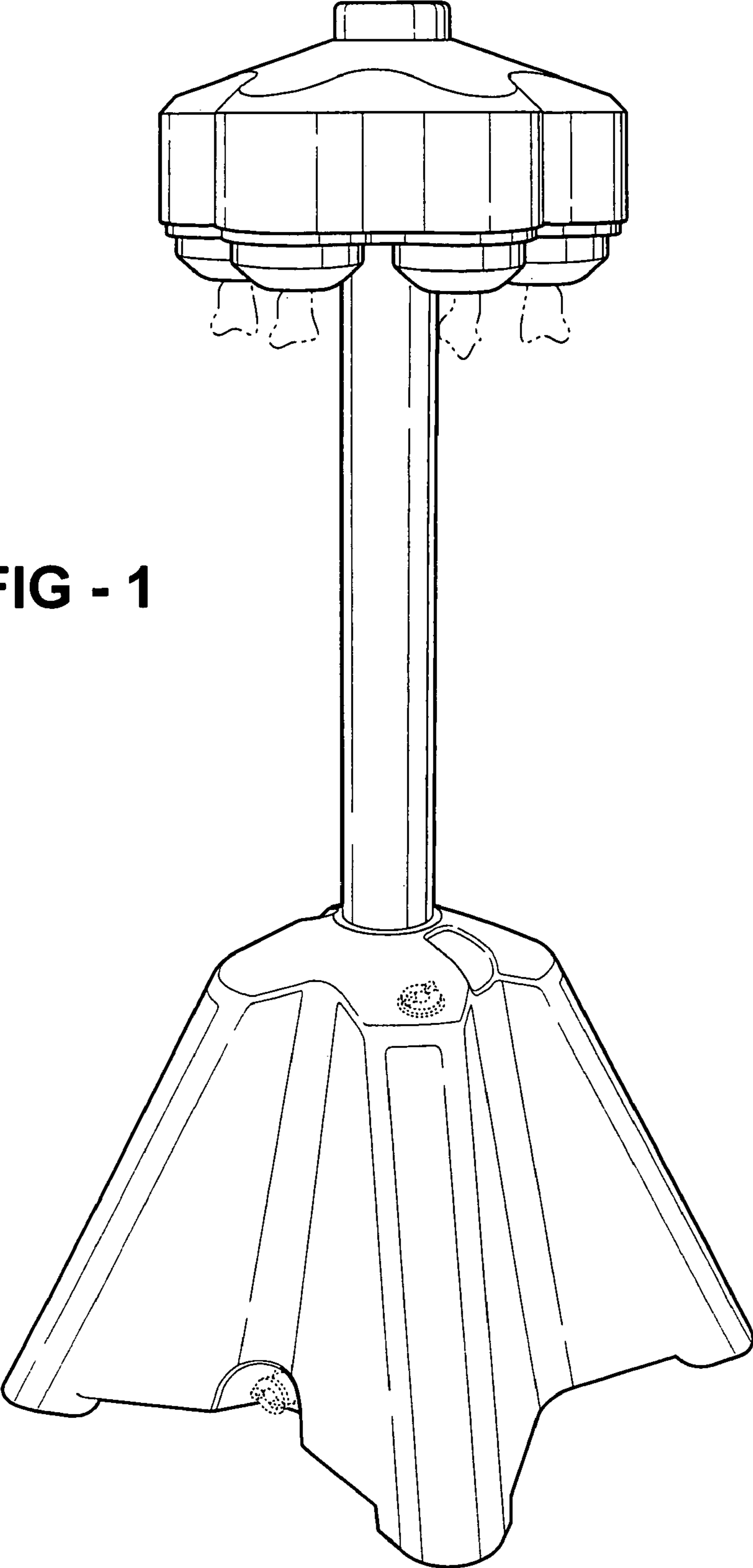
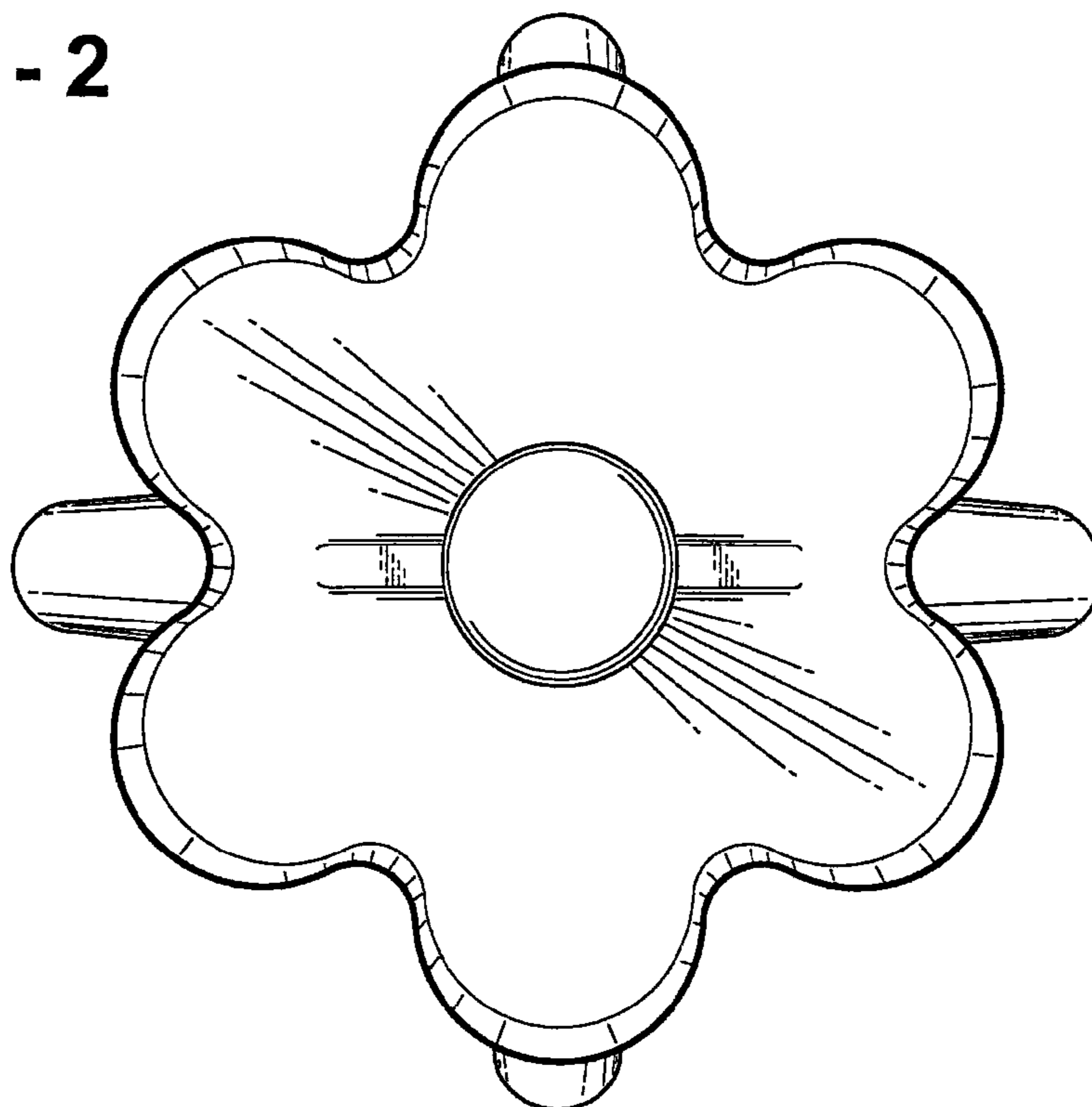


FIG - 1



**FIG - 2**



**FIG - 3**

