



US00D607673S

(12) **United States Design Patent**
Stephenson et al.

(10) **Patent No.:** **US D607,673 S**
(45) **Date of Patent:** **** Jan. 12, 2010**

(54) **TICKET ROLL DISPENSER**

(75) Inventors: **Phillip Stephenson**, Johnson City, TN (US); **Shirley Reed**, Blountville, TN (US); **Pamela L. Kaloustian**, Arlington Heights, IL (US)

(73) Assignee: **Block and Company, Inc.**, Wheeling, IL (US)

(**) Term: **14 Years**

(21) Appl. No.: **29/304,913**

(22) Filed: **Mar. 10, 2008**

(51) **LOC (9) Cl.** **20-02**

(52) **U.S. Cl.** **D6/515**

(58) **Field of Classification Search** D6/515-523;
206/225, 233, 389, 391, 812, 824, 63.5; 211/13.1,
211/45; 222/173, 180; 221/16, 33, 282-283;
242/925, 570, 590; 248/309.1, 309.2, 905;
D9/307, 521, 529, 419, 420; D3/20, 201,
D3/215, 225, 254, 301; D28/66

See application file for complete search history.

(56) **References Cited**

U.S. PATENT DOCUMENTS

D237,611 S * 11/1975 Minneman D3/225
D329,140 S * 9/1992 Maricle D3/225
D368,581 S * 4/1996 Cincotta D3/225

* cited by examiner

Primary Examiner—Brian N Vinson
(74) *Attorney, Agent, or Firm*—Cook Alex Ltd.

(57) **CLAIM**

The ornamental design for a ticket roll dispenser, as shown and described.

DESCRIPTION

FIG. 1 is a perspective view of the ticket roll dispenser design of the invention;

FIG. 2 is a top plan view of the ticket roll dispenser design of FIG. 1;

FIG. 3 is a front elevational view of the ticket roll dispenser design of FIG. 1;

FIG. 4 is right side elevational view of the ticket roll dispenser design of FIG. 1;

FIG. 5 is an left side elevational view of the ticket roll dispenser design of FIG. 1;

FIG. 6 is a back elevational view of the ticket roll dispenser design of FIG. 1;

FIG. 7 is a bottom plan view of the ticket roll dispenser design of FIG. 1; and,

FIG. 8 is a perspective view of the ticket roll dispenser design of FIG. 1 with the top cover open showing a ticket roll in phantom.

The carrying strap and connectors shown in phantom in FIGS. 1-8 as well as the ticket roll shown in phantom in FIG. 8 form no part of the claimed design.

1 Claim, 5 Drawing Sheets

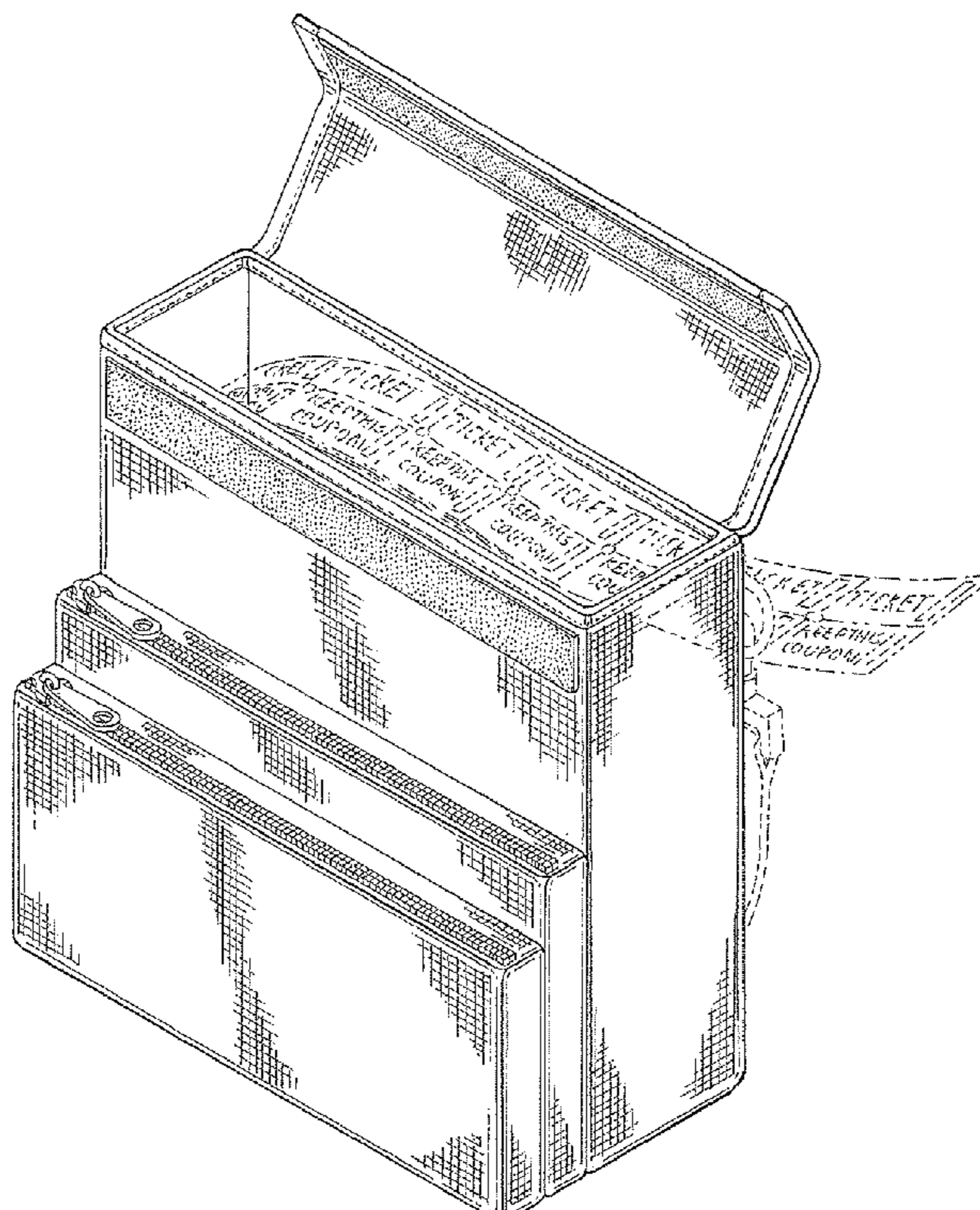


FIG. 1

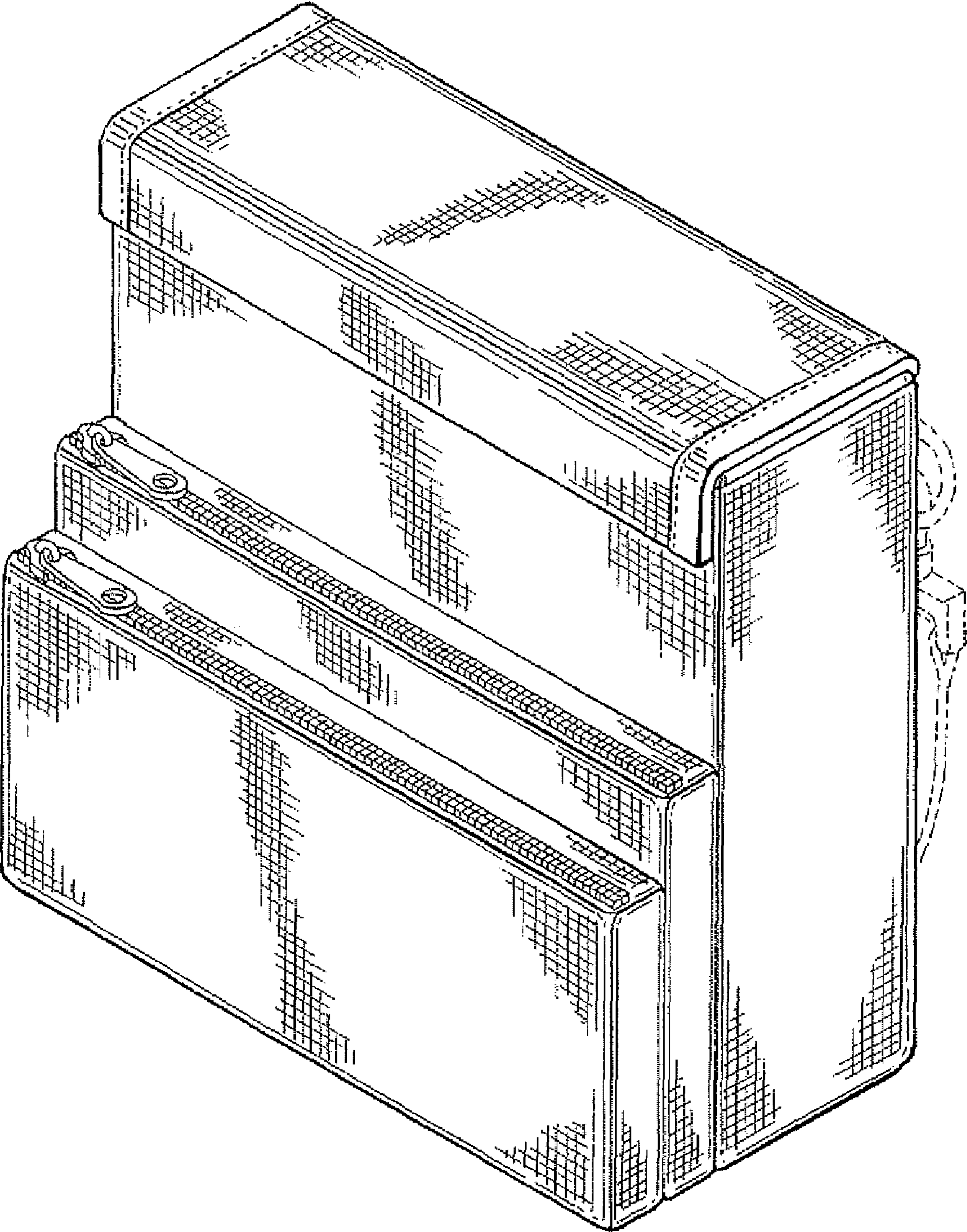


FIG. 2

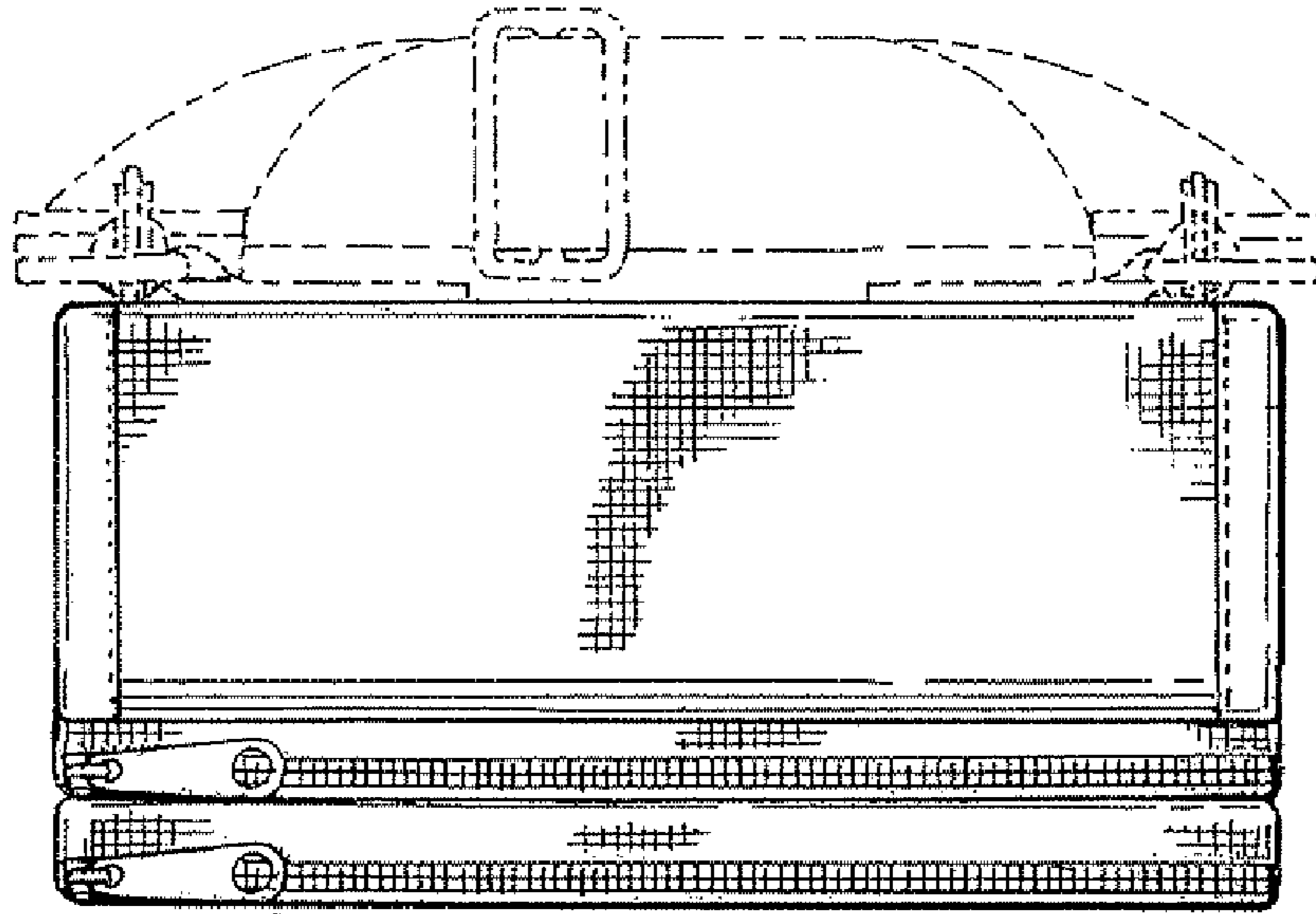


FIG. 3

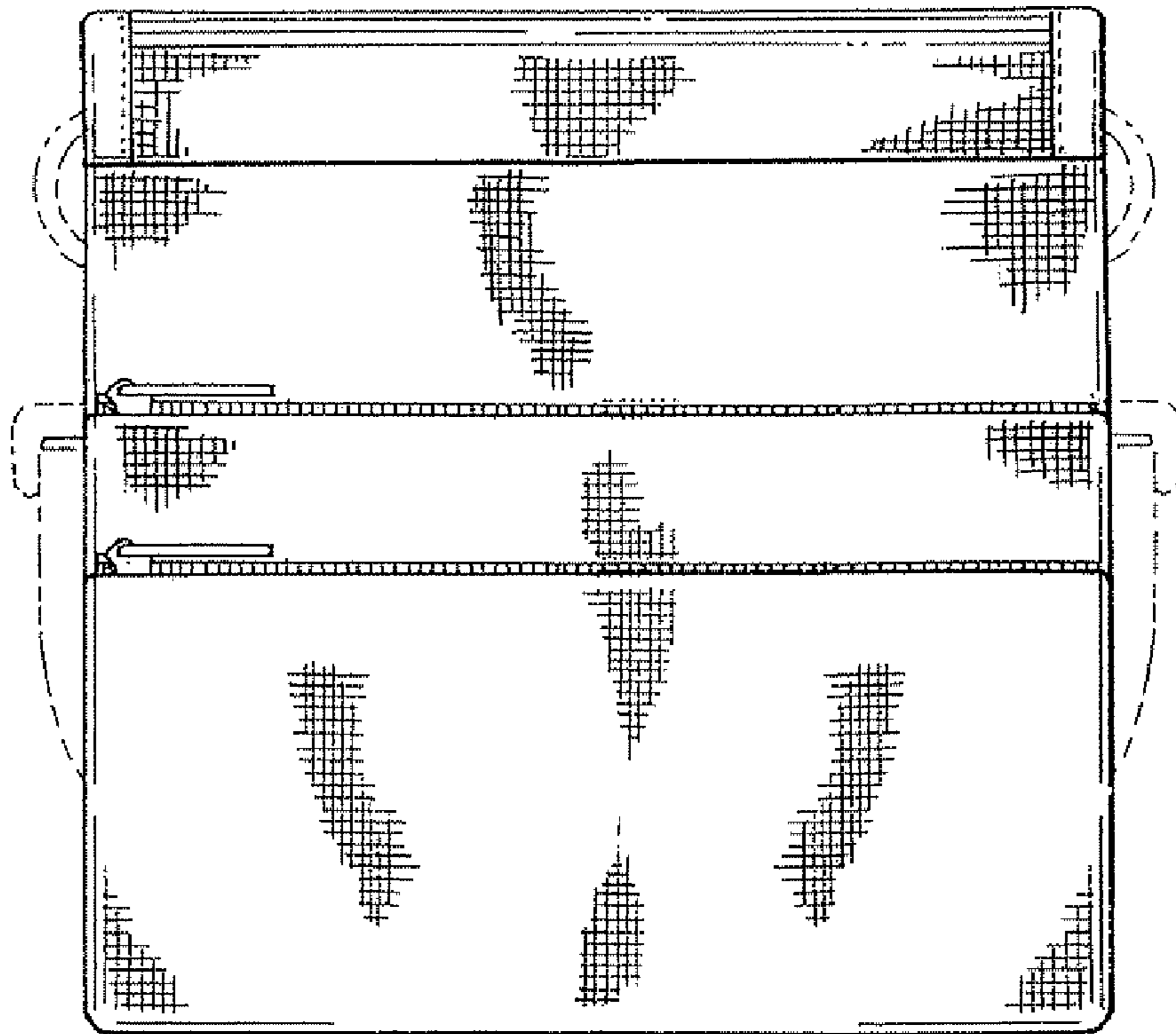


FIG. 4

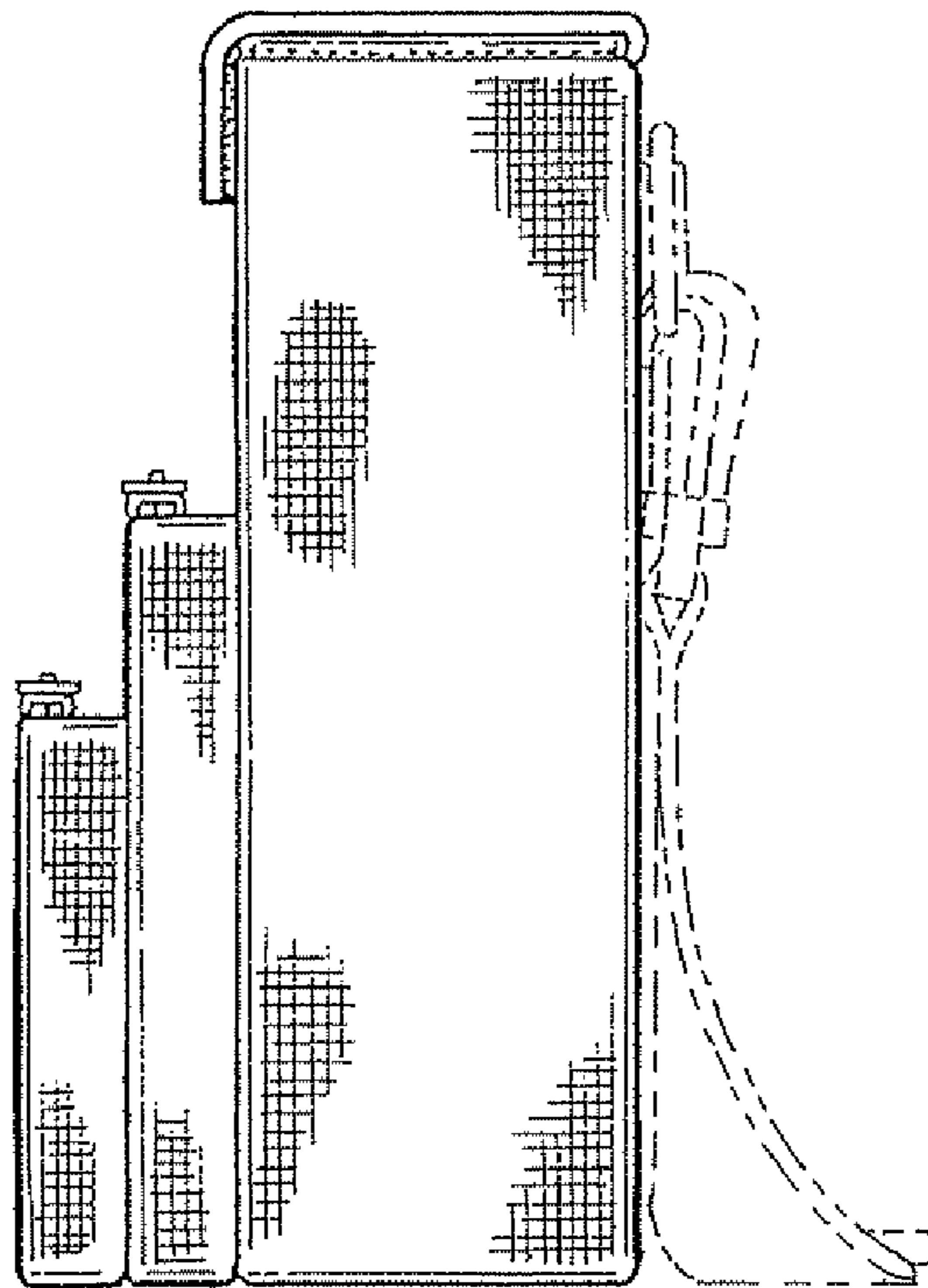


FIG. 5

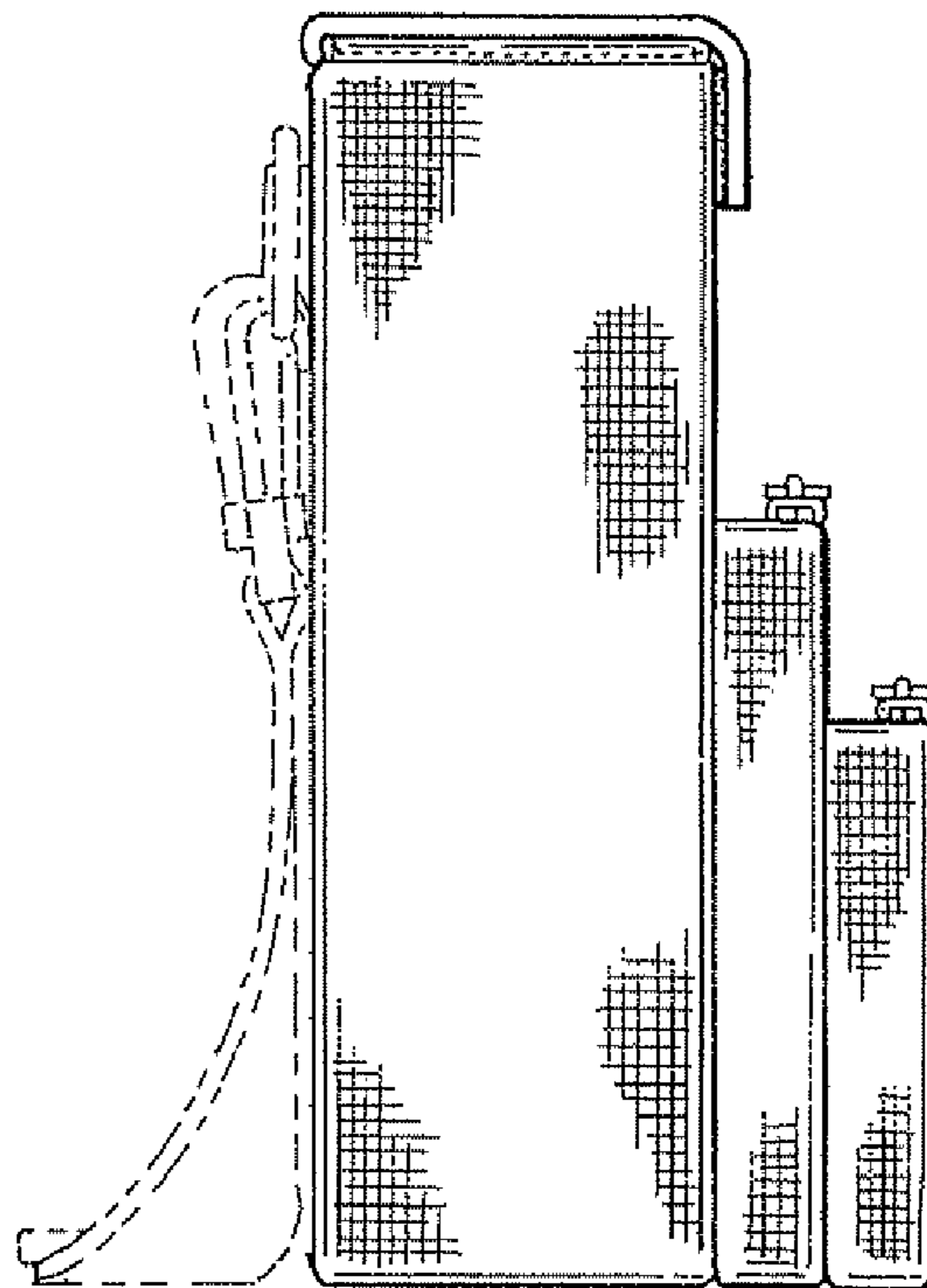


FIG. 6

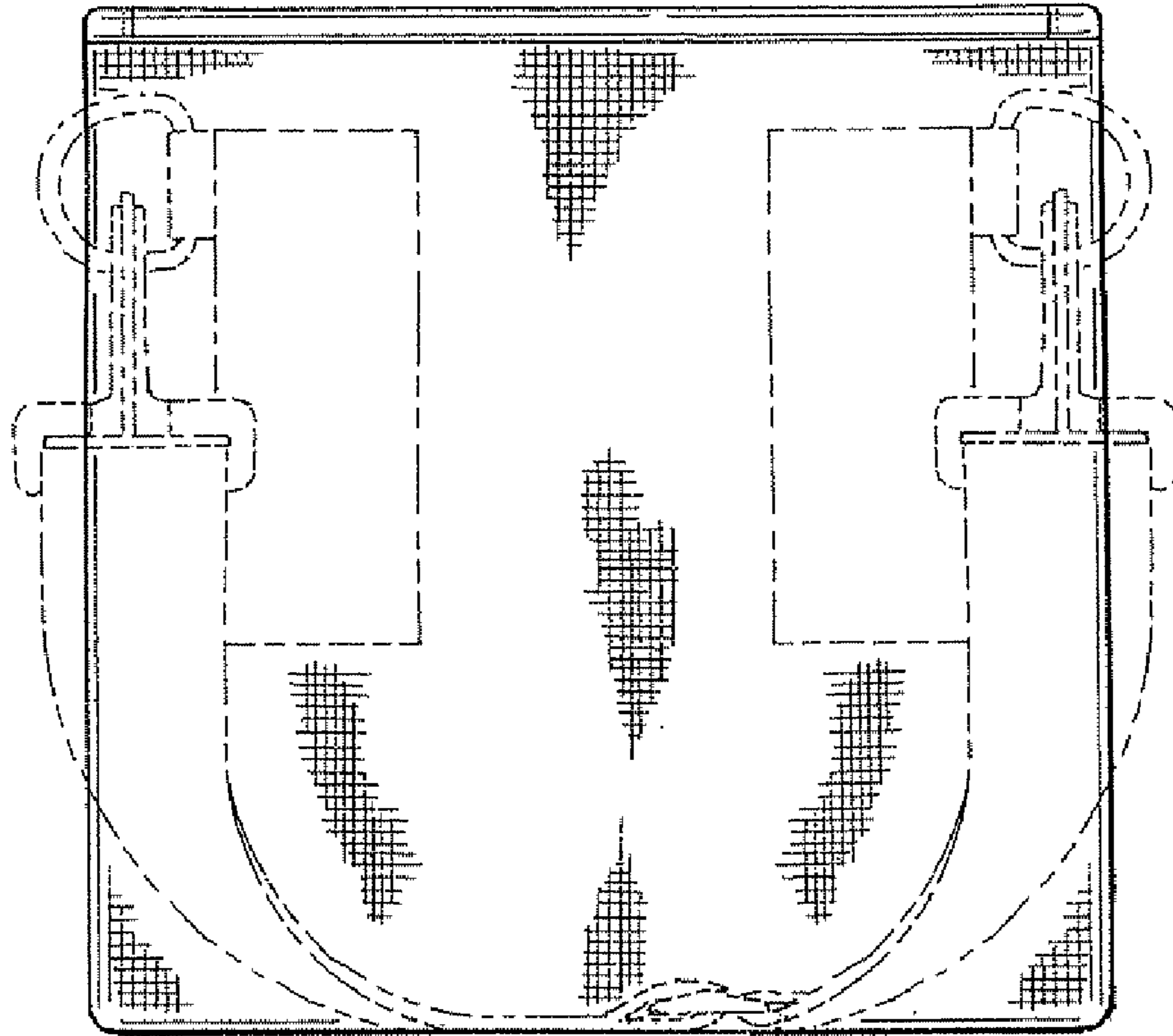


FIG. 7

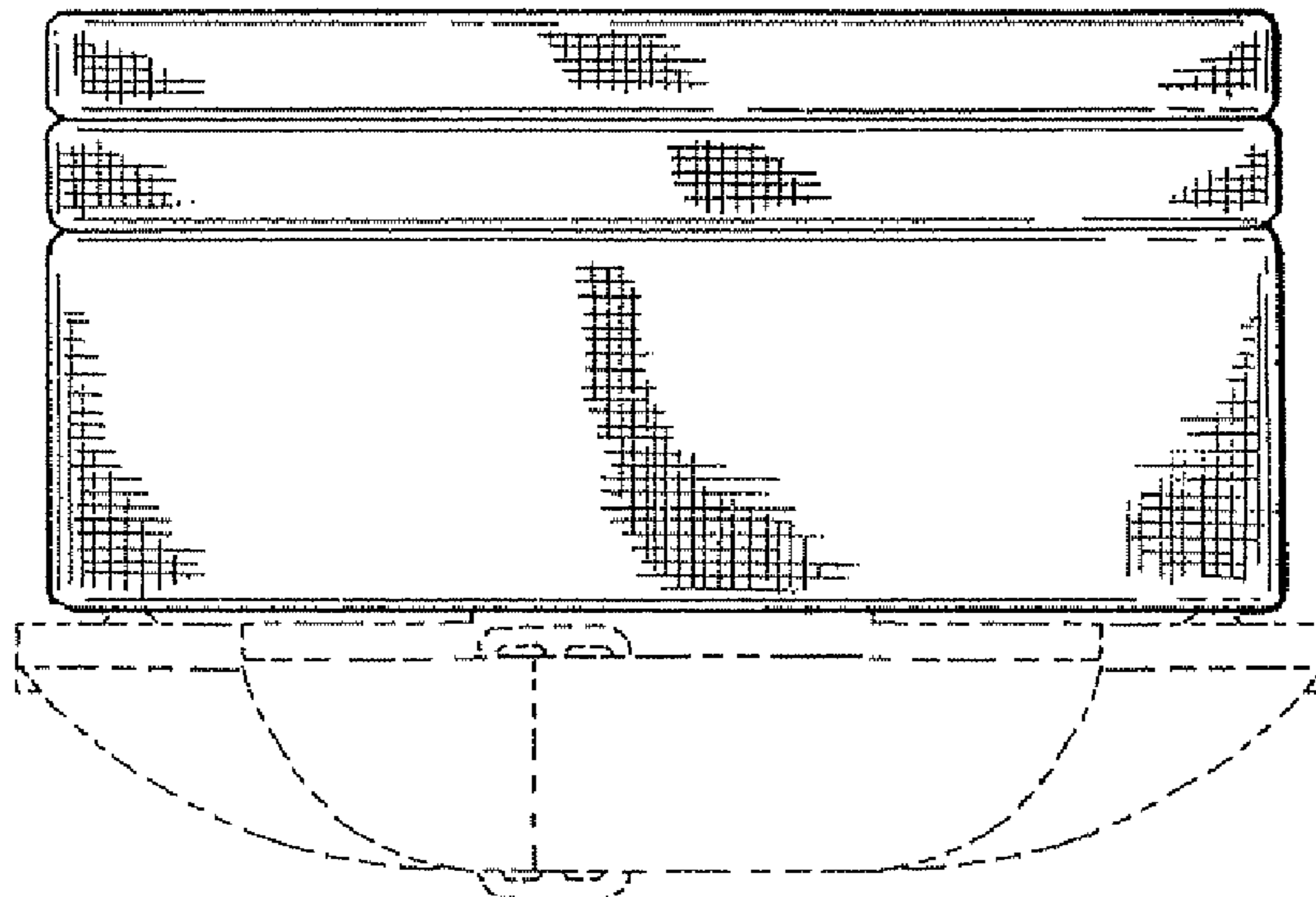


FIG. 8

