



US00D607672S

(12) **United States Design Patent**  
**Kubryk**

(10) **Patent No.:** **US D607,672 S**

(45) **Date of Patent:** **\*\* Jan. 12, 2010**

(54) **TASK CHAIR**

D554,381 S \* 11/2007 Valdiserri et al. .... D6/366  
D586,136 S \* 2/2009 Valdiserri et al. .... D6/366

(76) Inventor: **Isaac Kubryk**, 1111 Eagle Nest Ct.,  
Danville, CA (US) 94506

\* cited by examiner

(\*\*) Term: **14 Years**

*Primary Examiner*—Mimosa De  
(74) *Attorney, Agent, or Firm*—Audrey A. Millemann;  
Weintraub Genshlea et al.

(21) Appl. No.: **29/316,312**

(22) Filed: **Sep. 11, 2009**

(57) **CLAIM**

(51) **LOC (9) Cl.** ..... **06-01**

The ornamental design for a task chair, as shown and described.

(52) **U.S. Cl.** ..... **D6/500; D6/366**

(58) **Field of Classification Search** ..... D6/334–336,  
D6/364, 365, 366, 367, 379, 380, 498, 500–502;  
297/411.2, 411.27, 452.21, 452.26, 452.29,  
297/452.32, 452.35, 452.48

**DESCRIPTION**

See application file for complete search history.

FIG. 1 is a perspective view of a task chair, looking toward the left front corner, showing my new design;

FIG. 2 is a front view thereof;

FIG. 3 is a back view thereof;

FIG. 4 is a right side elevation view thereof;

FIG. 5 is a top view thereof; and,

FIG. 6 is a bottom view thereof.

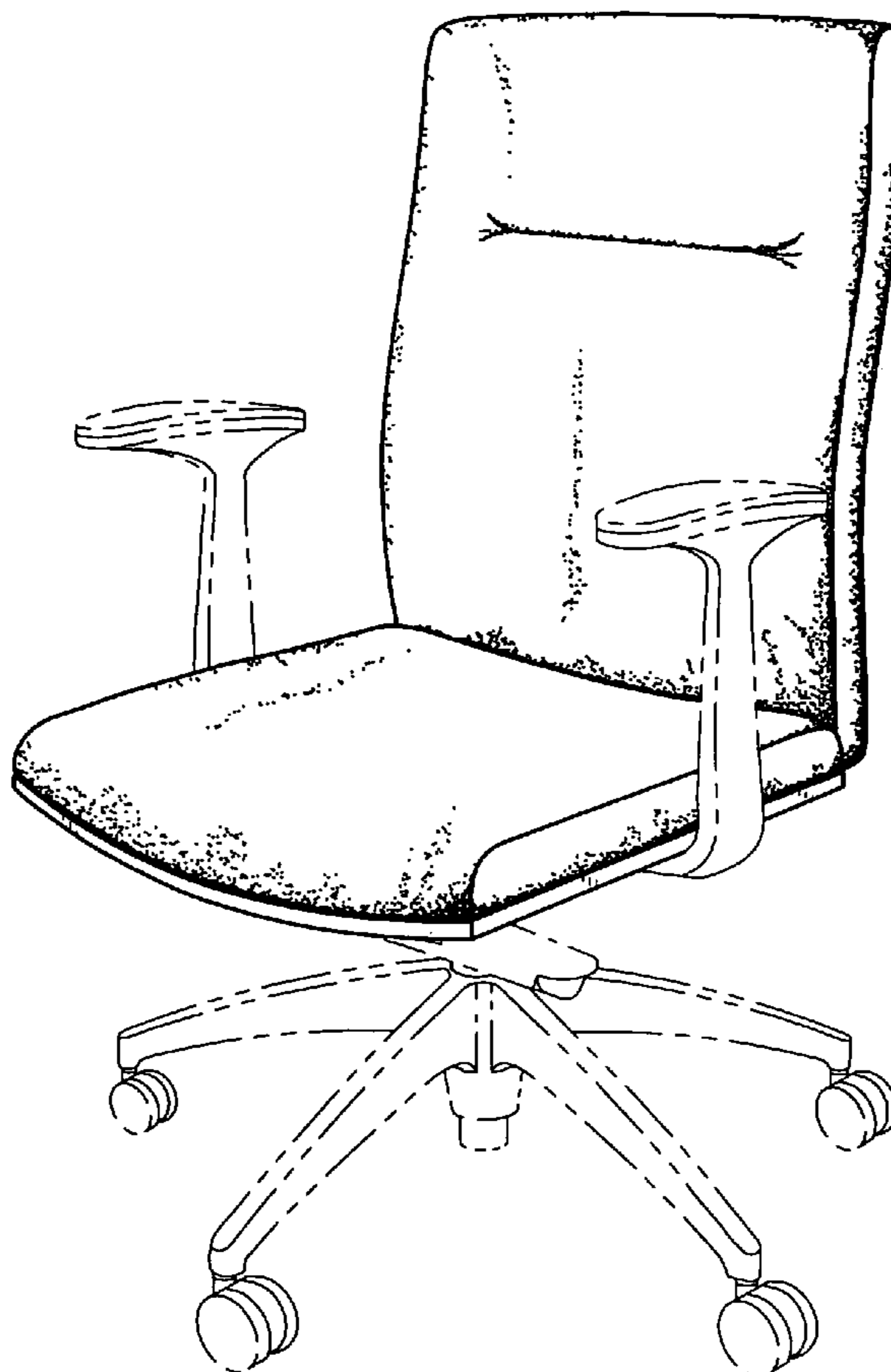
The broken lines shown in the drawing are for illustrative purposes only and form no part of the claimed design.

(56) **References Cited**

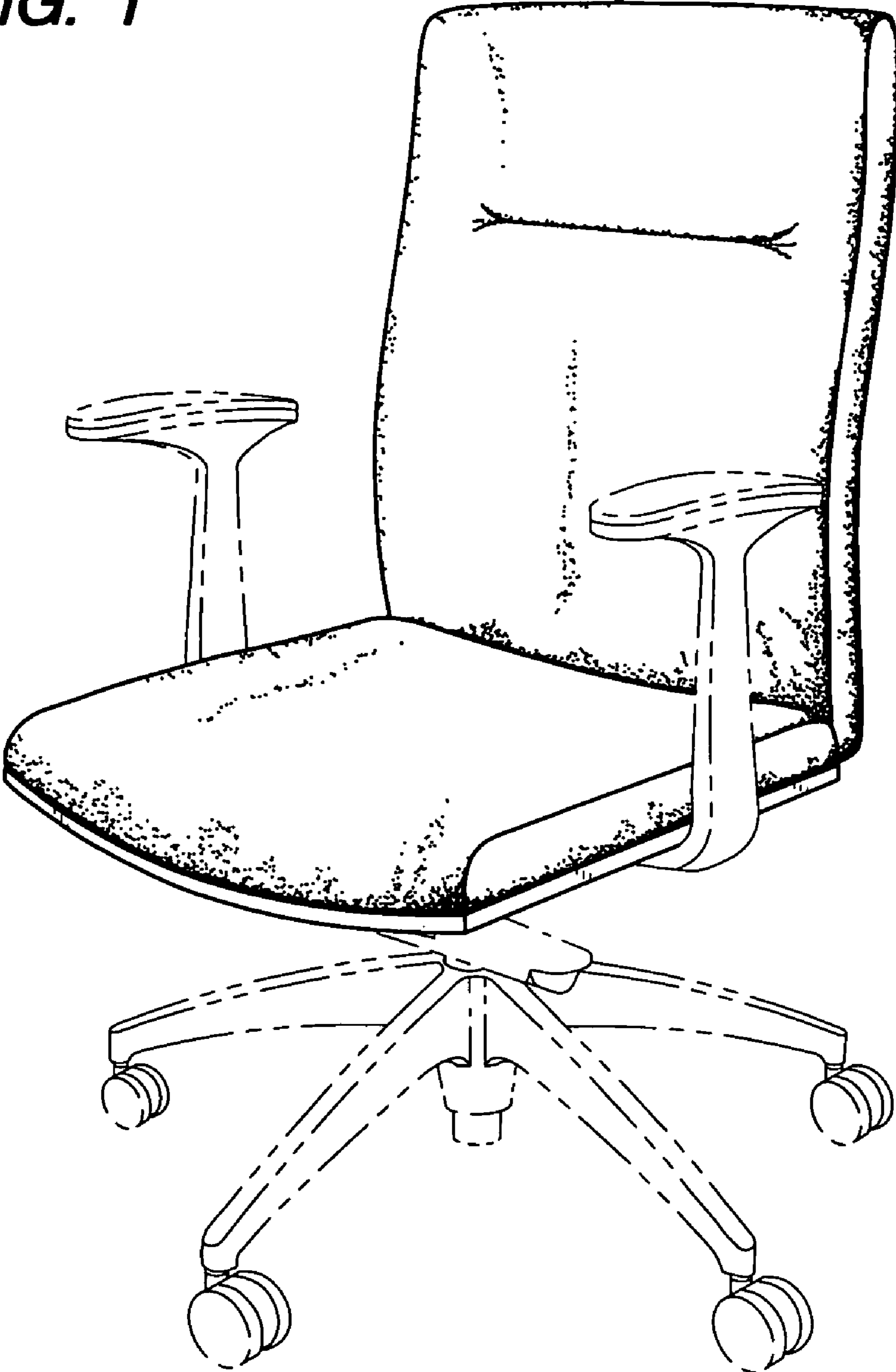
**U.S. PATENT DOCUMENTS**

D308,310 S *	6/1990	Wilson	.....	D6/502
D321,993 S *	12/1991	Zagaroli et al.	.....	D6/366
D418,316 S *	1/2000	Vogtherr	.....	D6/366
D446,396 S *	8/2001	Phillips et al.	.....	D6/366
D455,019 S *	4/2002	Tseng	.....	D6/366
D459,600 S *	7/2002	Tseng	.....	D6/366
D495,170 S *	8/2004	True	.....	D6/500

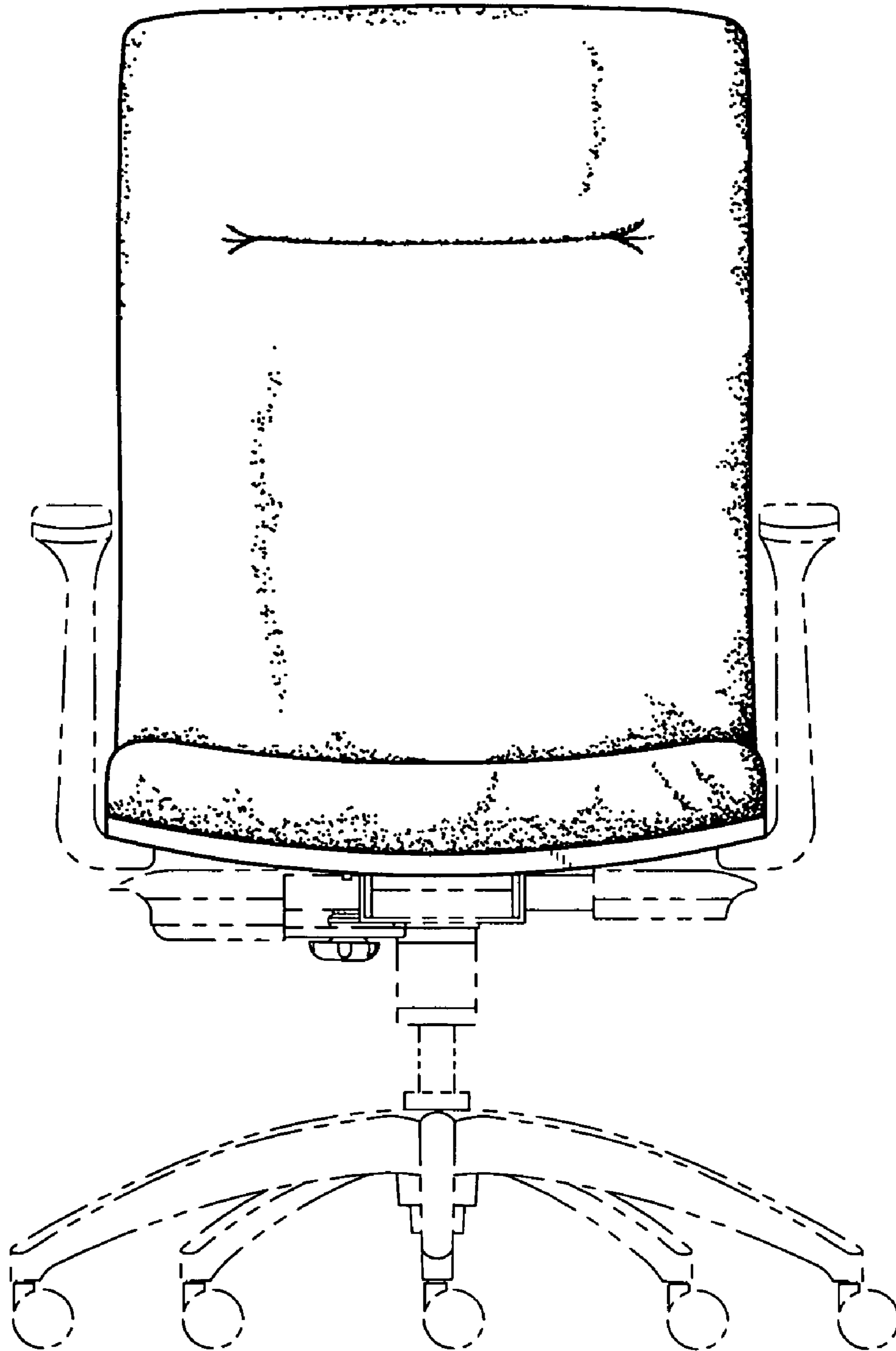
**1 Claim, 5 Drawing Sheets**



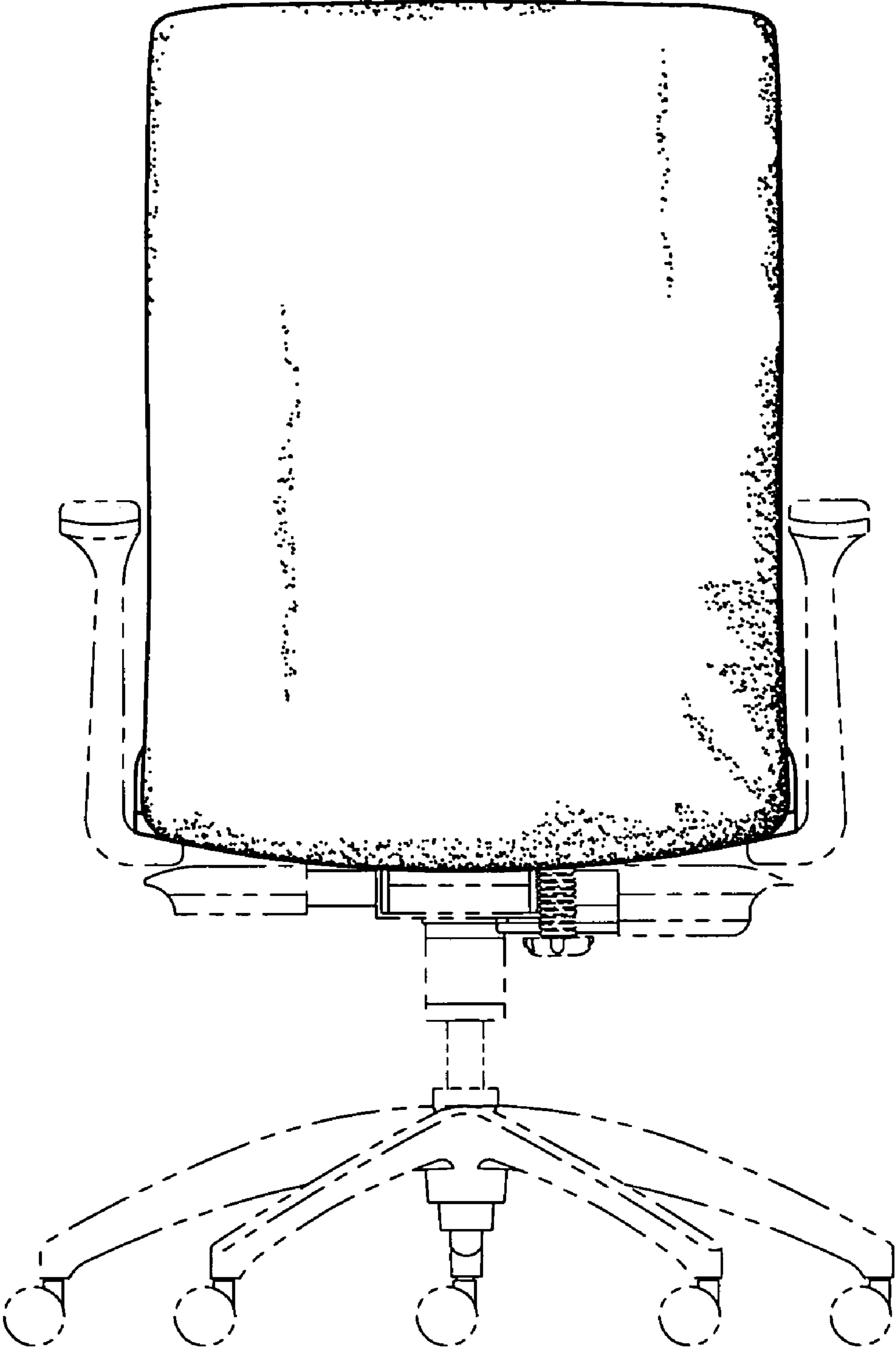
**FIG. 1**



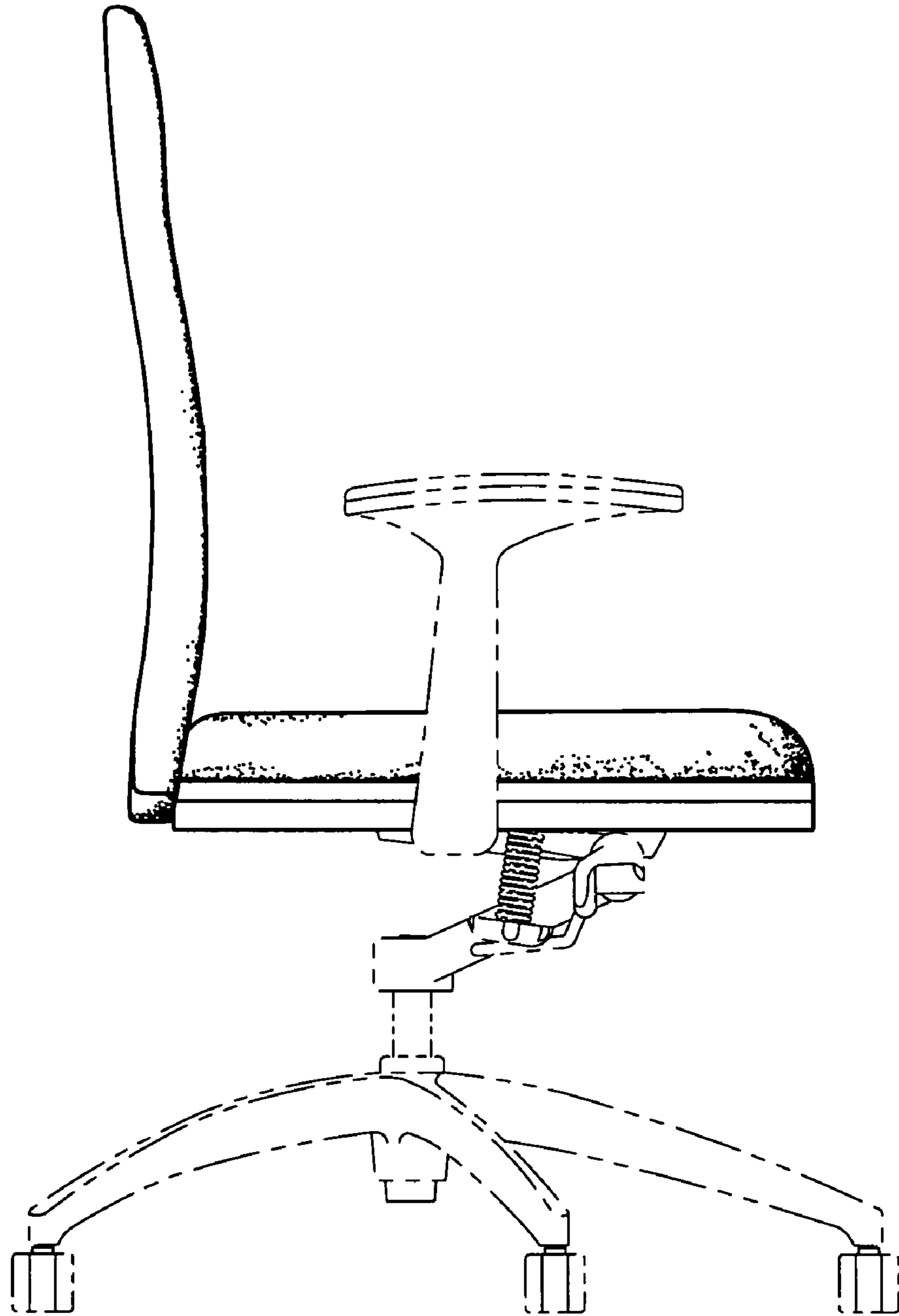
**FIG. 2**



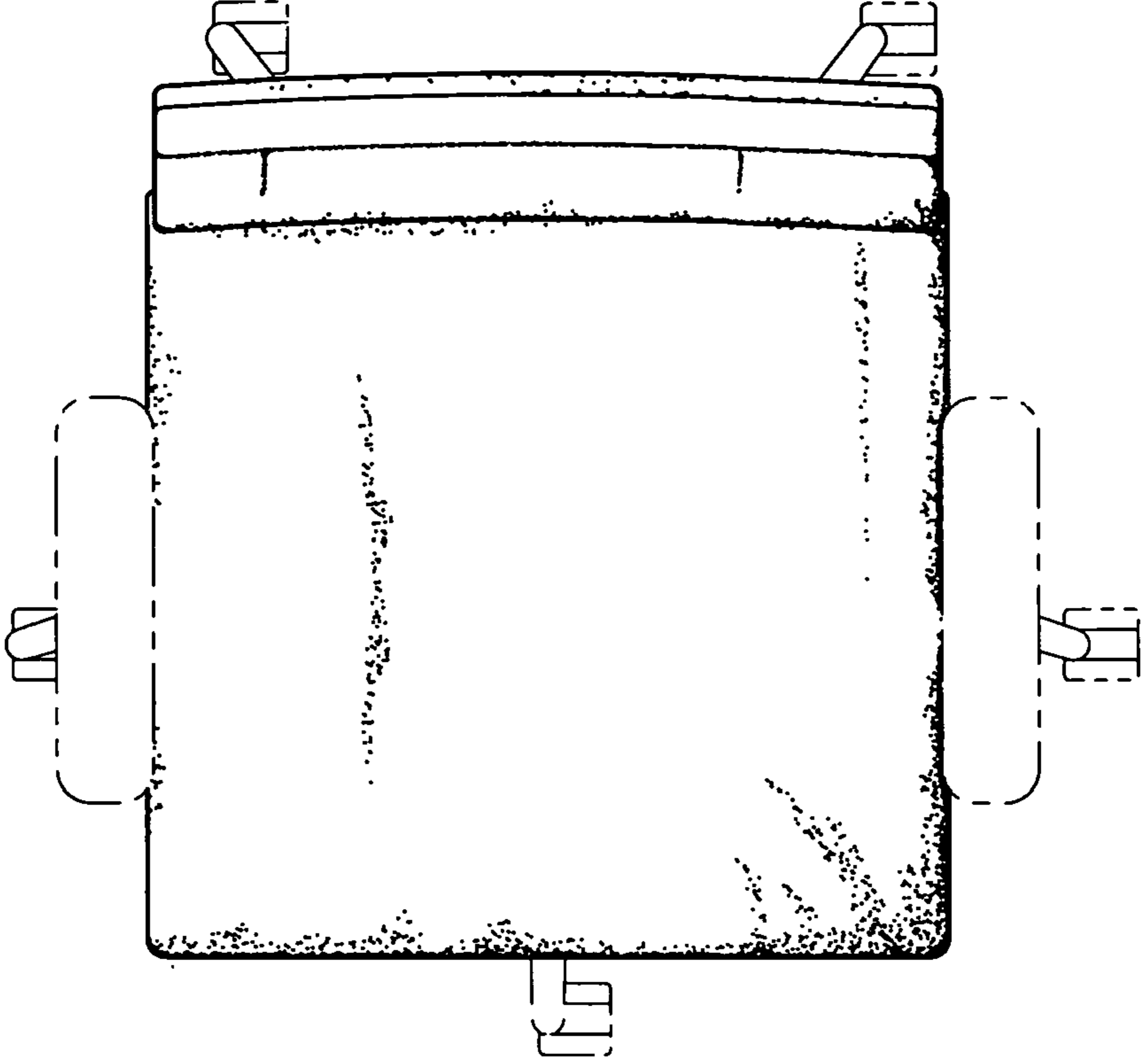
**FIG. 3**



**FIG. 4**



**FIG. 5**



**FIG. 6**

