



US00D607671S

(12) **United States Design Patent**  
**Sexton**

(10) **Patent No.:** **US D607,671 S**  
(45) **Date of Patent:** **\*\* Jan. 12, 2010**

(54) **FLAT SCREEN TV CONSOLE WITH BENT  
KICK BACK LEGS**

(75) Inventor: **James S. Sexton**, San Ramon, CA (US)

(73) Assignee: **Z-Line Designs, Inc.**, San Ramon, CA  
(US)

(\*\*) Term: **14 Years**

(21) Appl. No.: **29/329,764**

(22) Filed: **Dec. 19, 2008**

(51) **LOC (9) Cl.** ..... **06-04**

(52) **U.S. Cl.** ..... **D6/479; D6/460**

(58) **Field of Classification Search** ..... D6/479,  
D6/460, 474, 477, 478, 449; 108/59, 91-92,  
108/29; 211/40, 41.12, 42, 49.1, 50, 85.2,  
211/90.04

See application file for complete search history.

(56) **References Cited**

**U.S. PATENT DOCUMENTS**

D489,548 S *	5/2004	Malizia	.....	D6/477
D495,163 S *	8/2004	Weatherly	.....	D6/479
D508,171 S *	8/2005	Choo	.....	D6/477
D508,801 S *	8/2005	Holst	.....	D6/477
D517,349 S *	3/2006	Lara	.....	D6/477
D525,052 S *	7/2006	Malizia	.....	D6/474
D539,565 S *	4/2007	Sexton, III	.....	D6/474
D539,566 S *	4/2007	Anderson	.....	D6/474
D543,729 S *	6/2007	Weatherly	.....	D6/474

D566,426 S *	4/2008	Stenhouse et al.	.....	D6/474
D567,545 S *	4/2008	Liu	.....	D6/479
D567,546 S *	4/2008	Liu	.....	D6/479
D570,620 S *	6/2008	Ongor	.....	D6/479
D572,944 S *	7/2008	Sexton	.....	D6/477
D591,089 S *	4/2009	Sexton	.....	D6/479
D593,776 S *	6/2009	Sexton	.....	D6/478
D594,675 S *	6/2009	Cahaly	.....	D6/449

\* cited by examiner

*Primary Examiner*—Joel Sincavage

*Assistant Examiner*—Sydney R Buffalow

(74) *Attorney, Agent, or Firm*—Townsend and Townsend and Crew LLP

(57) **CLAIM**

The ornamental design for a flat screen TV console with bent kick back legs, as shown and described.

**DESCRIPTION**

FIG. 1 is a perspective view of a flat screen TV console with bent kick back legs showing my new design;

FIG. 2 is a front elevational view thereof;

FIG. 3 is a rear elevational view thereof;

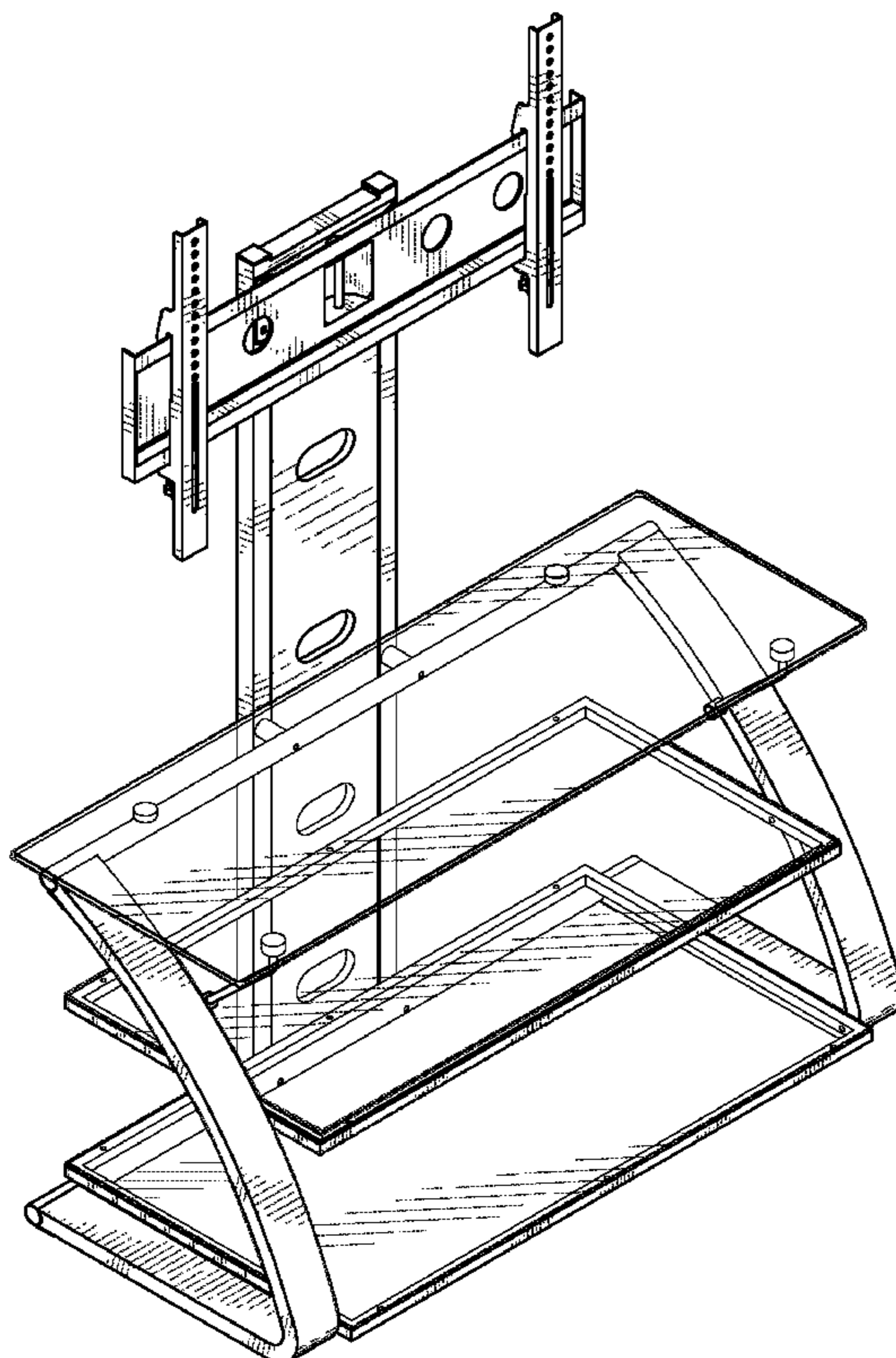
FIG. 4 is a right side elevational view thereof;

FIG. 5 is a left side elevational view thereof;

FIG. 6 is a top plan view thereof; and,

FIG. 7 is a bottom plan view thereof.

**1 Claim, 5 Drawing Sheets**



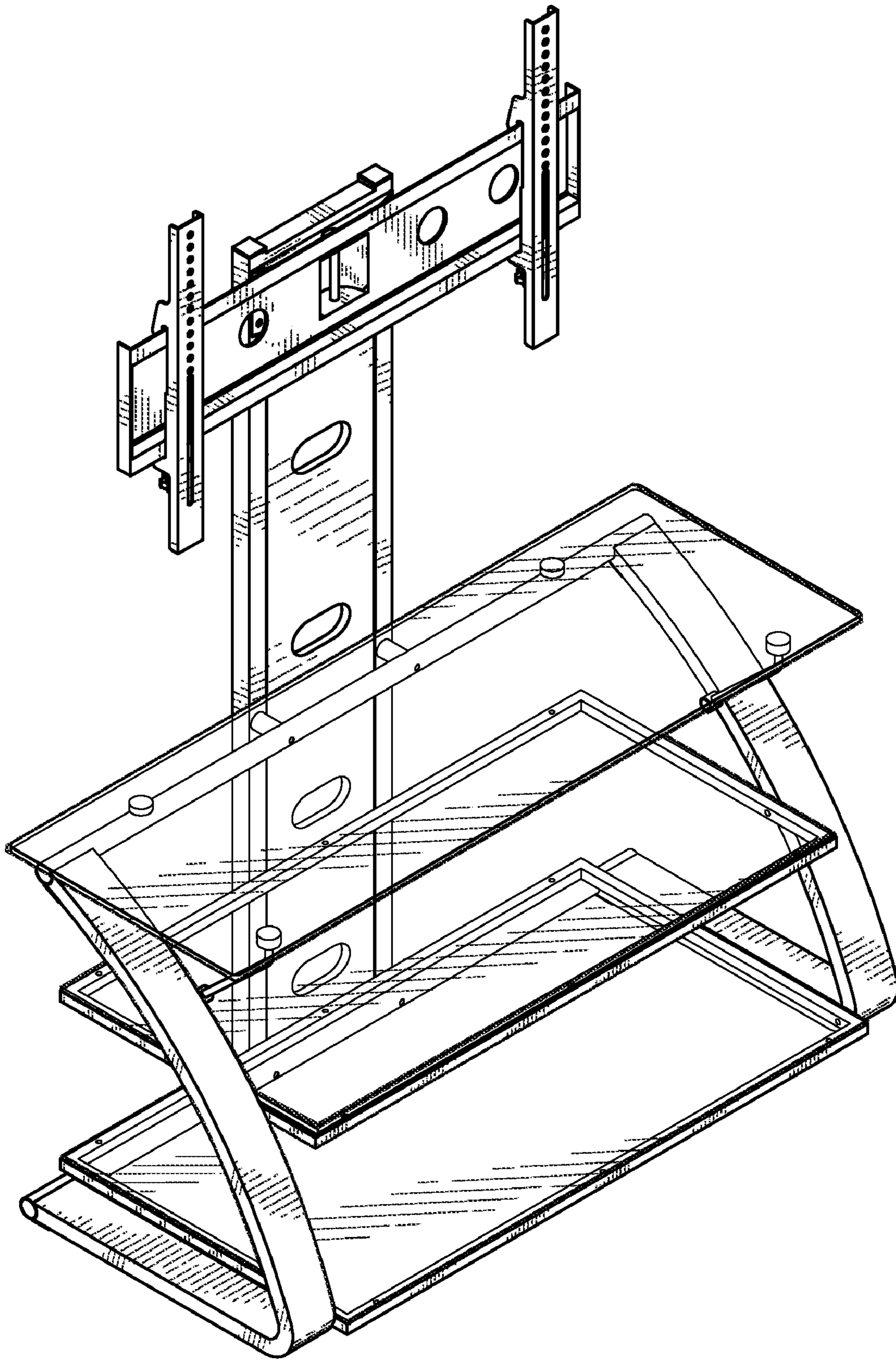


FIG. 1

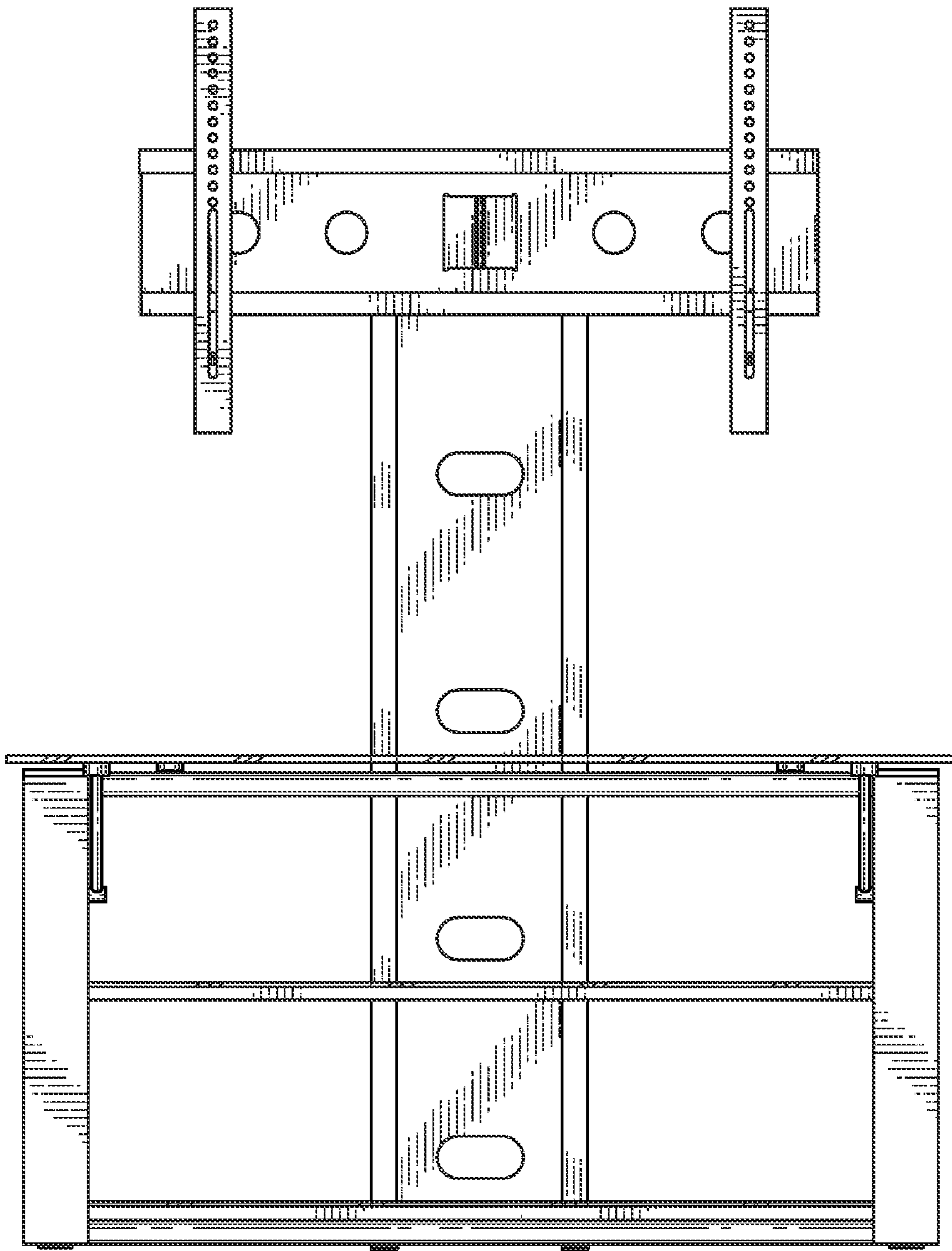


FIG. 2

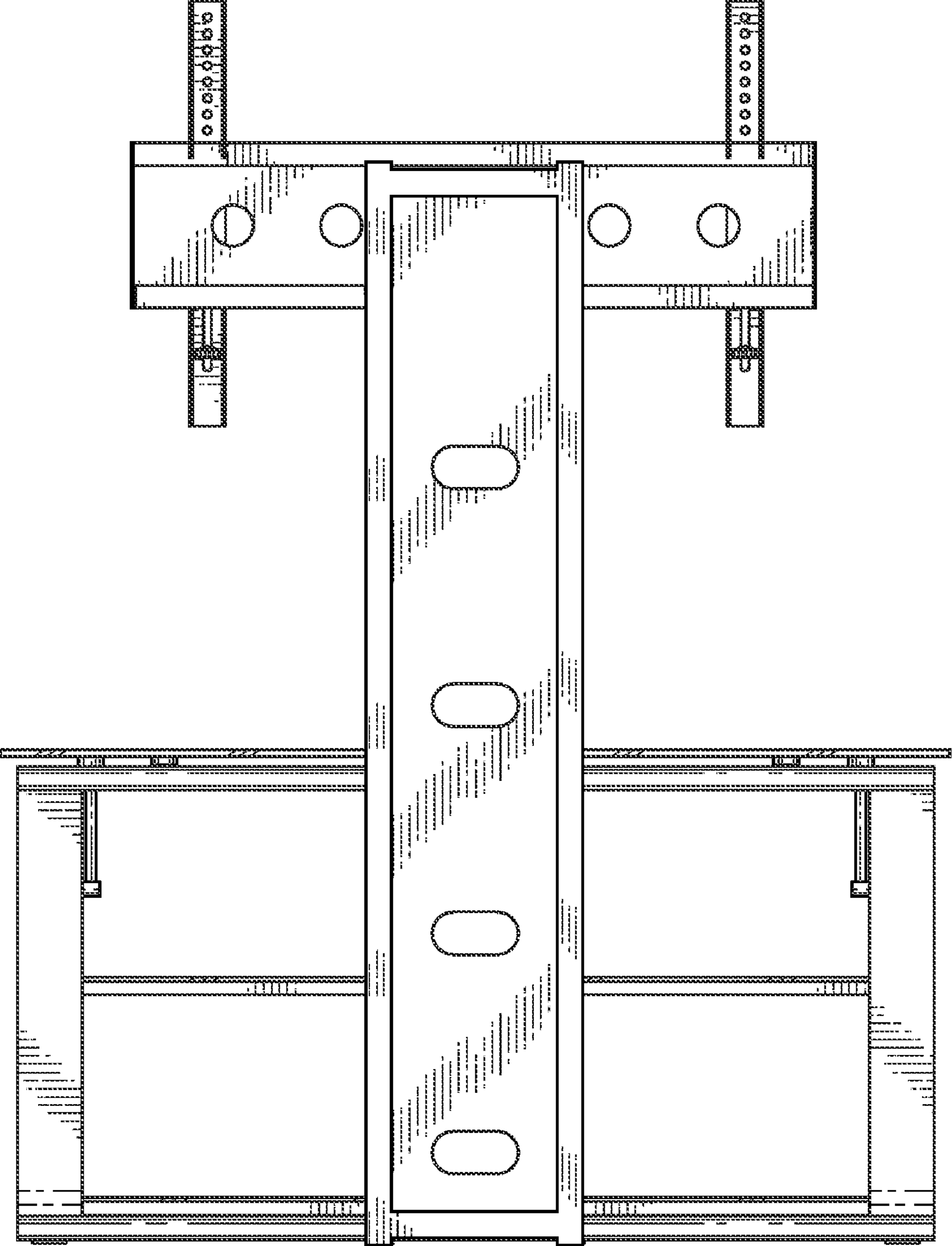


FIG. 3

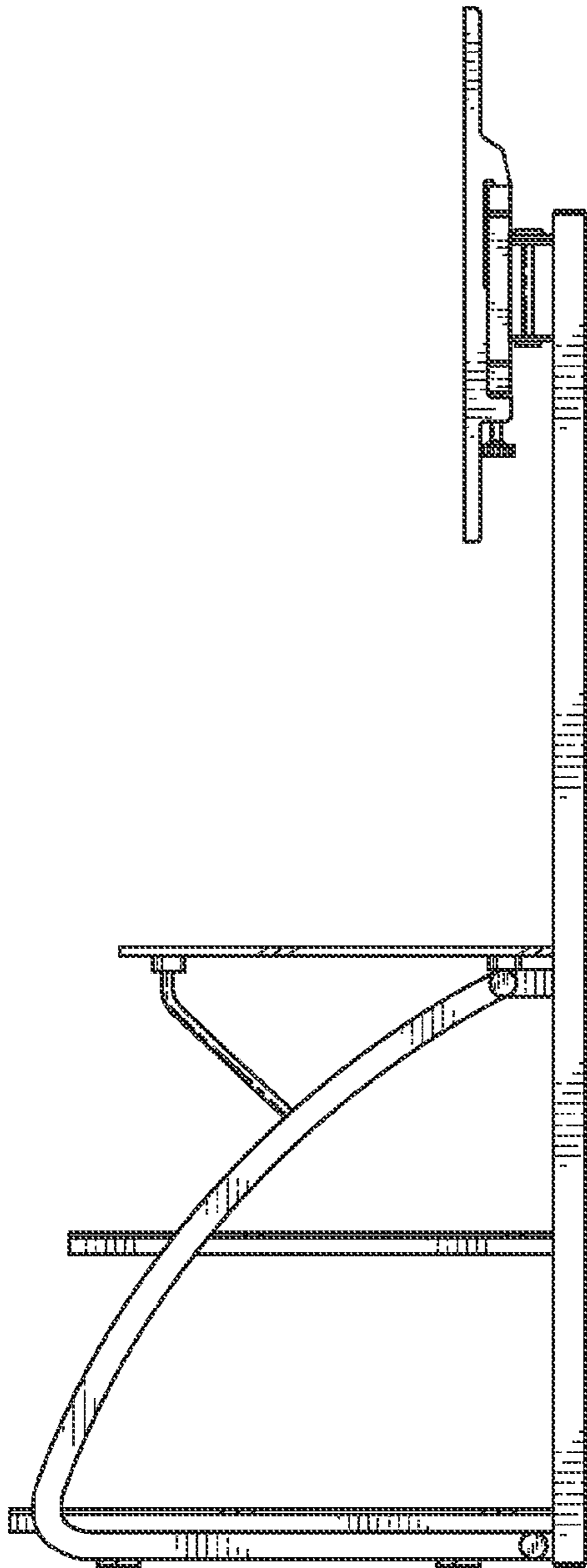


FIG. 4

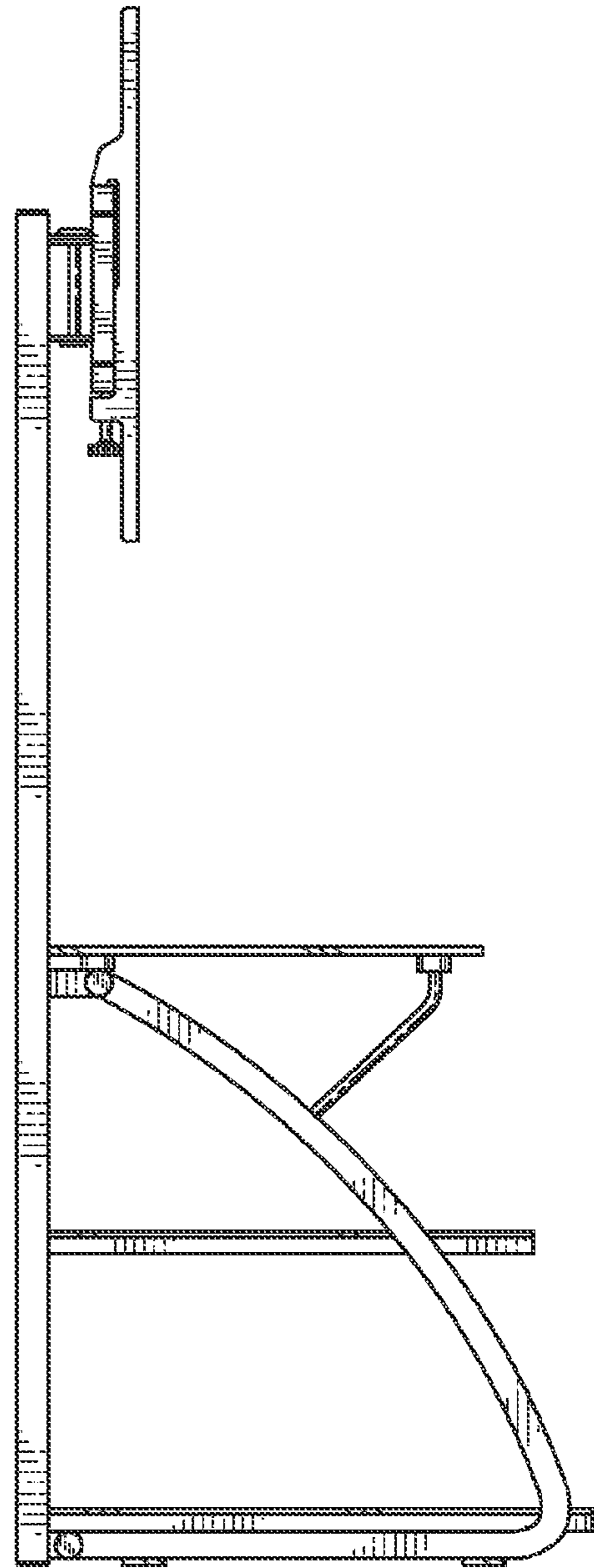


FIG. 5

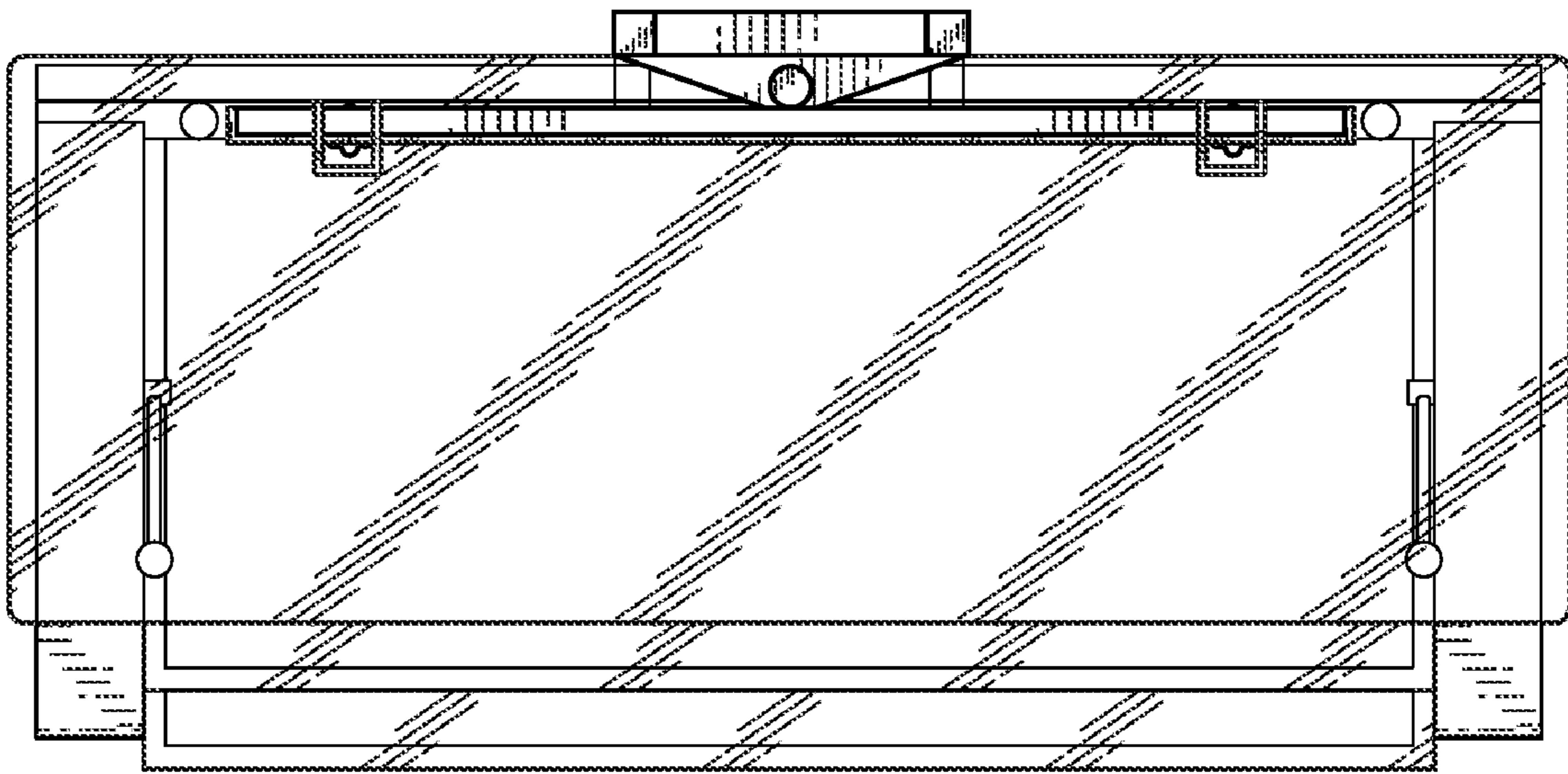


FIG. 6

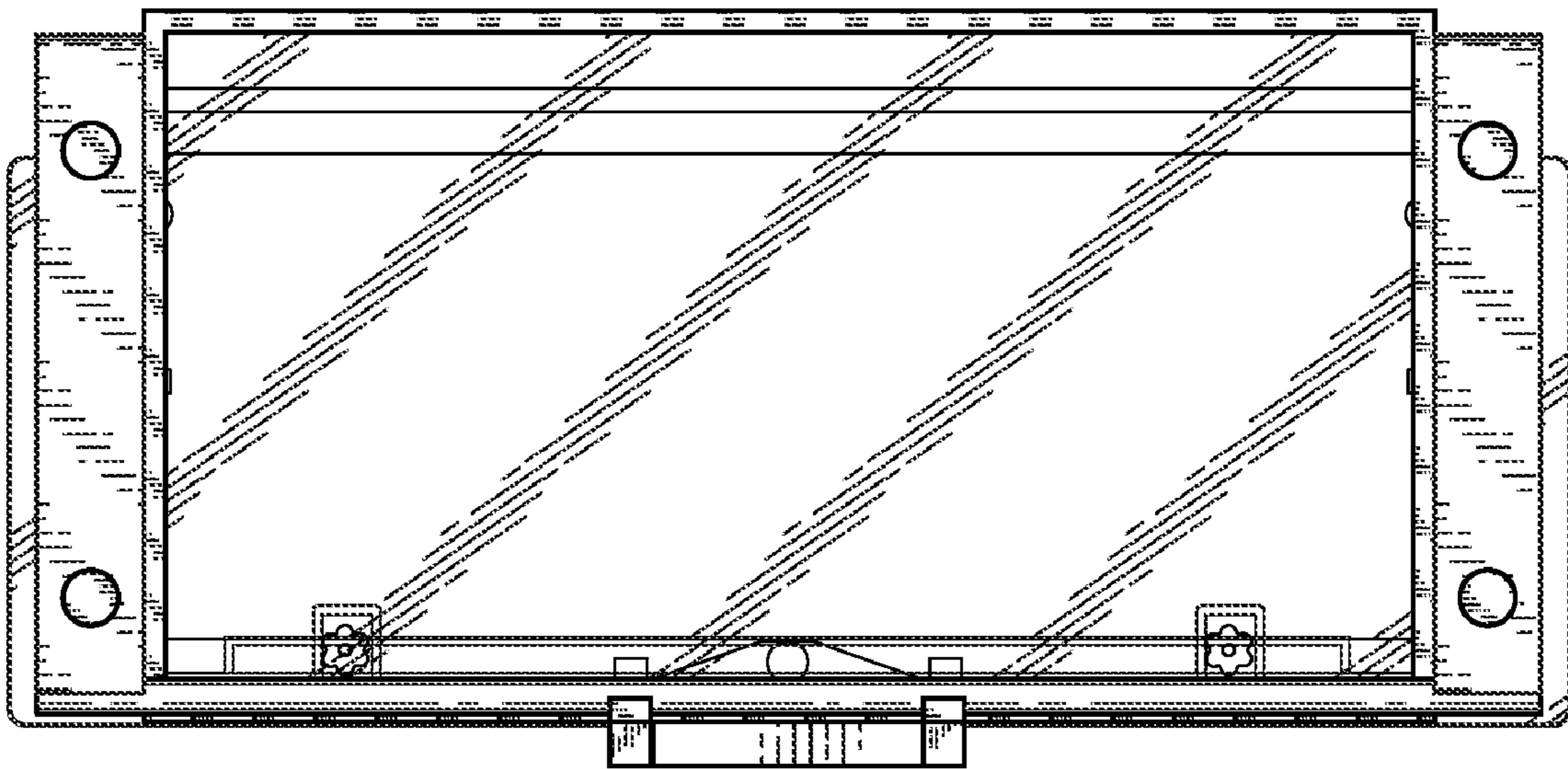


FIG. 7