

US00D607669S

(12) **United States Design Patent**  
**Trinh et al.**

(10) **Patent No.:** **US D607,669 S**  
(45) **Date of Patent:** **\*\* Jan. 12, 2010**

(54) **DISPLAY APPARATUS**

(75) Inventors: **Nick Quang Trinh**, Minneapolis, MN (US); **Jeffrey P. Pirro**, Marcellus, NY (US); **Matthew W. Farrell**, Syracuse, NY (US)

(73) Assignee: **Target Brands, Inc.**, Minneapolis, MN (US)

(\*\*) Term: **14 Years**

(21) Appl. No.: **29/344,000**

(22) Filed: **Sep. 22, 2009**

(51) **LOC (9) Cl.** ..... **06-04**

(52) **U.S. Cl.** ..... **D6/477**

(58) **Field of Classification Search** ..... D6/464,  
D6/449, 455, 457, 470–472, 474–475, 477,  
D6/567; 108/107, 144.11, 149, 59, 161,  
108/108; 312/107, 114; 211/59.4, 134, 69,  
211/186–192

See application file for complete search history.

(56) **References Cited**

**U.S. PATENT DOCUMENTS**

D322,523 S	12/1991	Brooks et al.	
5,240,127 A *	8/1993	Levin et al. ....	211/186
D342,398 S	12/1993	Lemmerman et al.	
D344,419 S	2/1994	Stoddard	
D351,076 S	10/1994	Eliadis et al.	
D352,198 S	11/1994	Wright et al.	
D364,289 S	11/1995	Gerber	
D365,706 S *	1/1996	Campbell .....	D6/477
5,979,677 A	11/1999	Simpson, II et al.	
D426,727 S	6/2000	Rummler et al.	
6,170,678 B1	1/2001	de la Fuente	
D438,879 S *	3/2001	Tombs .....	D15/81
D440,335 S	4/2001	Kuo	
D441,583 S	5/2001	Schmidt	
D455,789 S *	4/2002	Schlueter .....	D20/10
D461,334 S	8/2002	Johnson et al.	
6,450,106 B2	9/2002	McIntyre	
D468,934 S	1/2003	Dienstmann	

D471,113 S *	3/2003	Merk et al. ....	D10/2
D486,673 S *	2/2004	Hessell .....	D6/474
D486,982 S *	2/2004	Hessell .....	D6/479
D499,577 S *	12/2004	Willy .....	D6/436
D500,419 S *	1/2005	Sparkowski .....	D6/465
D509,382 S *	9/2005	Raile .....	D6/474
D520,265 S *	5/2006	Sparkowski .....	D6/465
D537,655 S	3/2007	Hessell	
D538,556 S	3/2007	Arias	
D547,569 S	7/2007	Yan	

(Continued)

*Primary Examiner*—Elizabeth A Albert  
*Assistant Examiner*—Kelley A Donnelly  
(74) *Attorney, Agent, or Firm*—Fish & Richardson P.C.

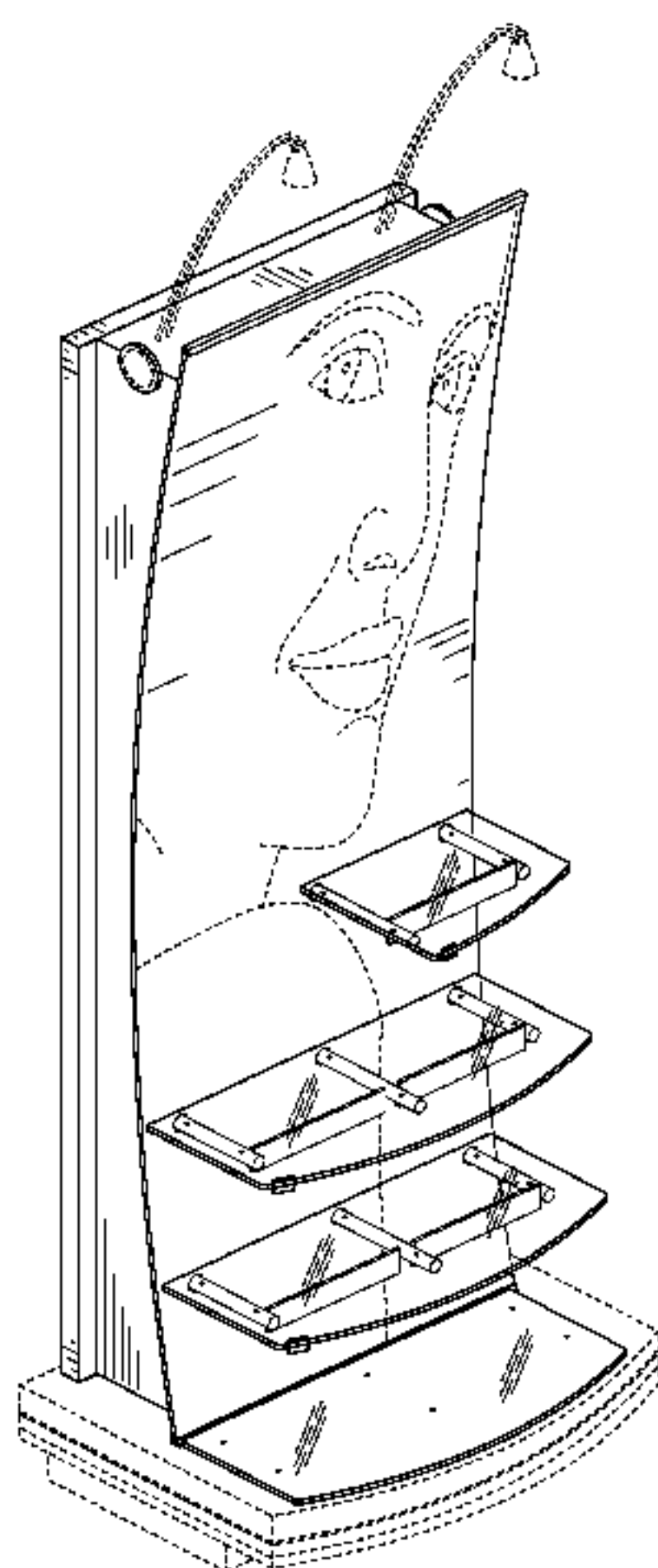
(57) **CLAIM**

The ornamental design for a display apparatus, substantially as shown and described.

**DESCRIPTION**

FIG. 1 is a perspective view of a display apparatus.  
FIG. 2 is a front elevation view of the display apparatus of FIG. 1.  
FIG. 3 is a rear elevation view of the display apparatus of FIG. 1.  
FIG. 4 is a right elevation view of the display apparatus of FIG. 1.  
FIG. 5 is a left elevation view of the display apparatus of FIG. 1.  
FIG. 6 is a top plan view of the display apparatus of FIG. 1; and,  
FIG. 7 is a bottom plan view of the display apparatus of FIG. 1.  
The broken lines are included for illustrative purposes only and form no part of the claimed design.

**1 Claim, 5 Drawing Sheets**



# US D607,669 S

Page 2

---

## U.S. PATENT DOCUMENTS

D557,629 S	12/2007	Maes	D575,532 S	8/2008	Whetman	
D559,013 S	1/2008	McLaughlin et al.	D586,147 S	2/2009	Tsay et al.	
D565,324 S *	4/2008	Sparkowski .....	D591,531 S *	5/2009	Sparkowski .....	D6/464
D573,369 S *	7/2008	Sparkowski .....	D601,367 S *	10/2009	Nelson et al. ....	D6/477

\* cited by examiner

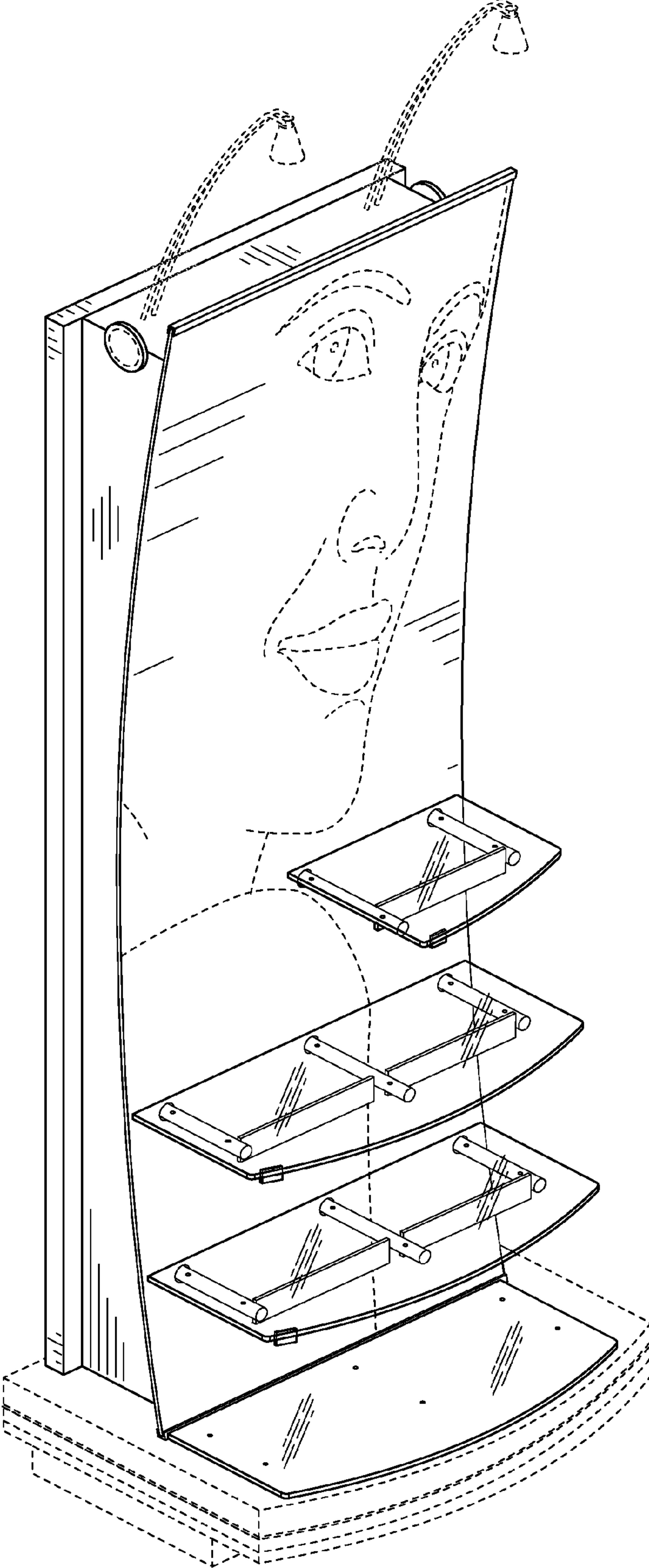


FIG. 1

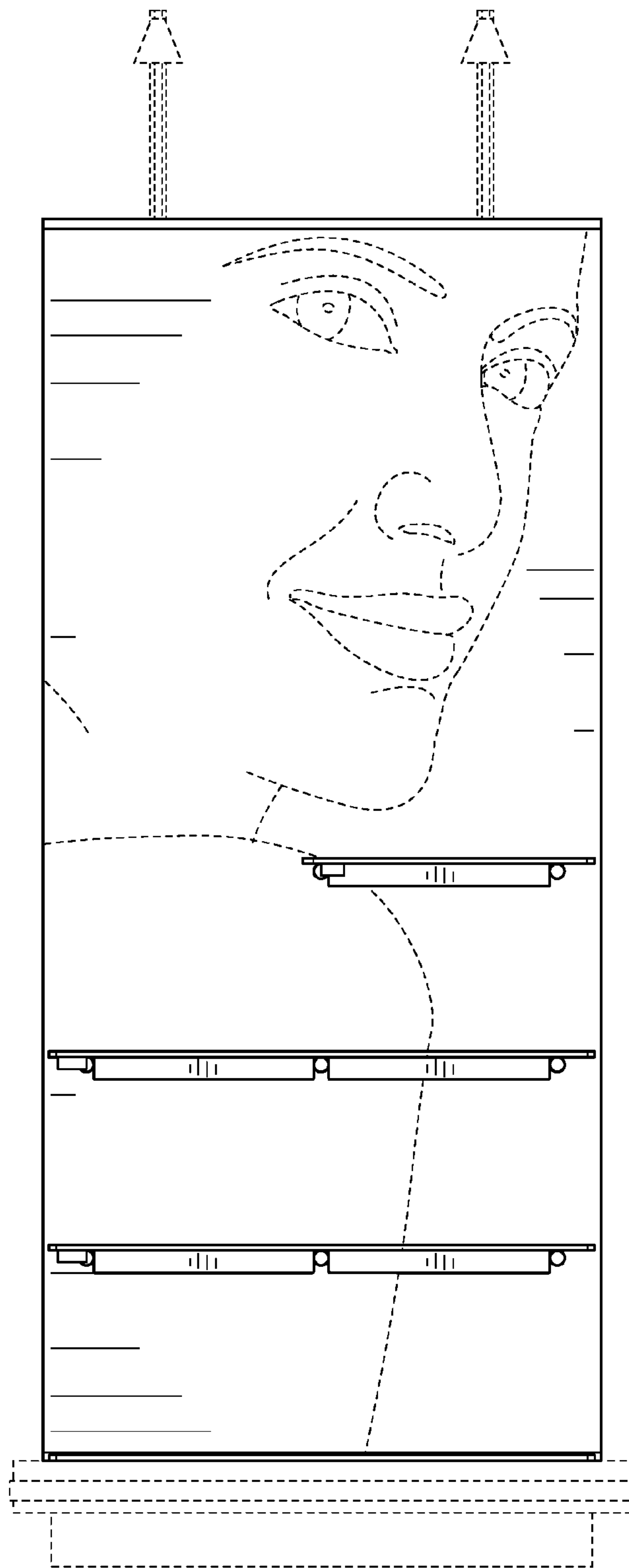


FIG. 2

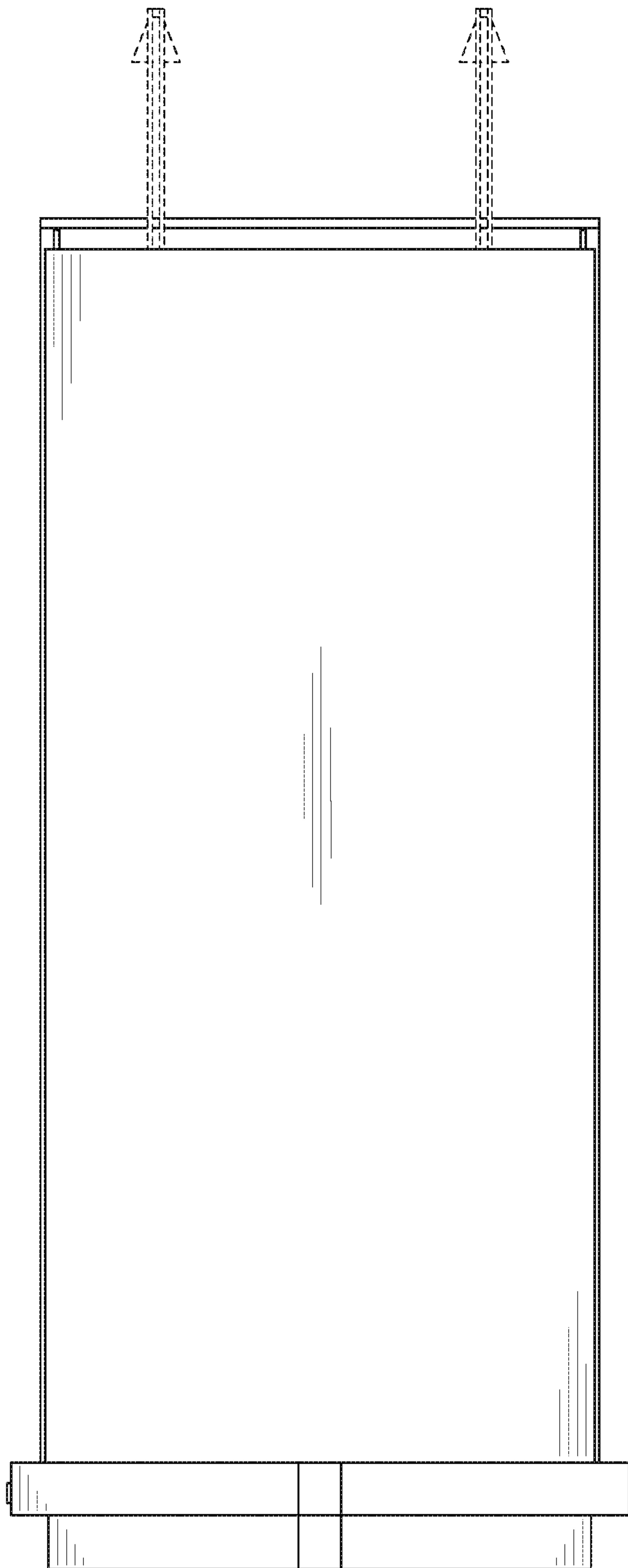


FIG. 3

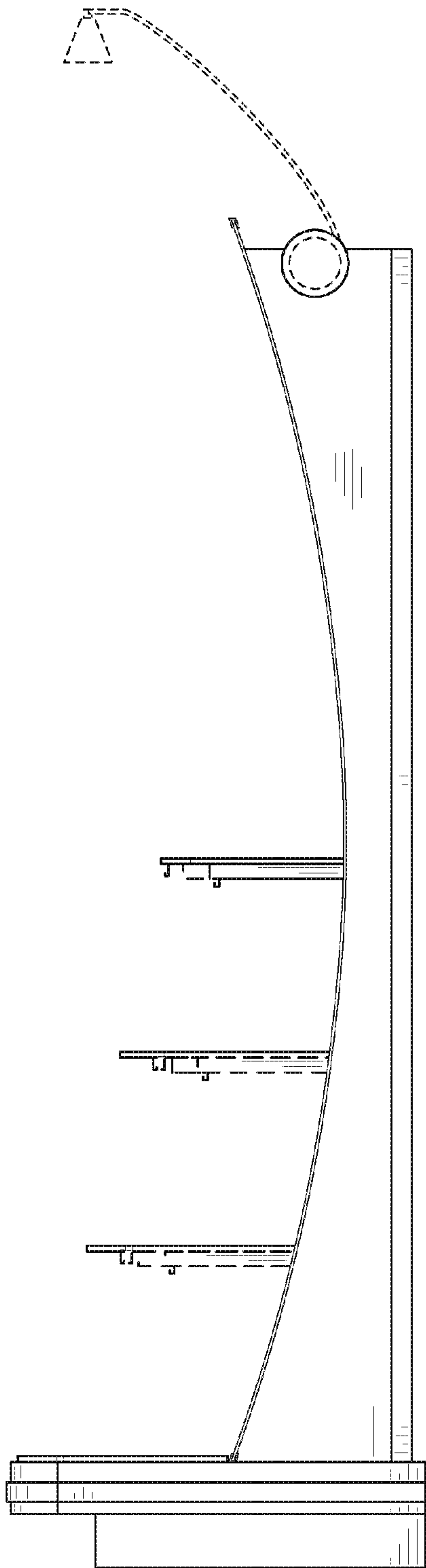


FIG. 4

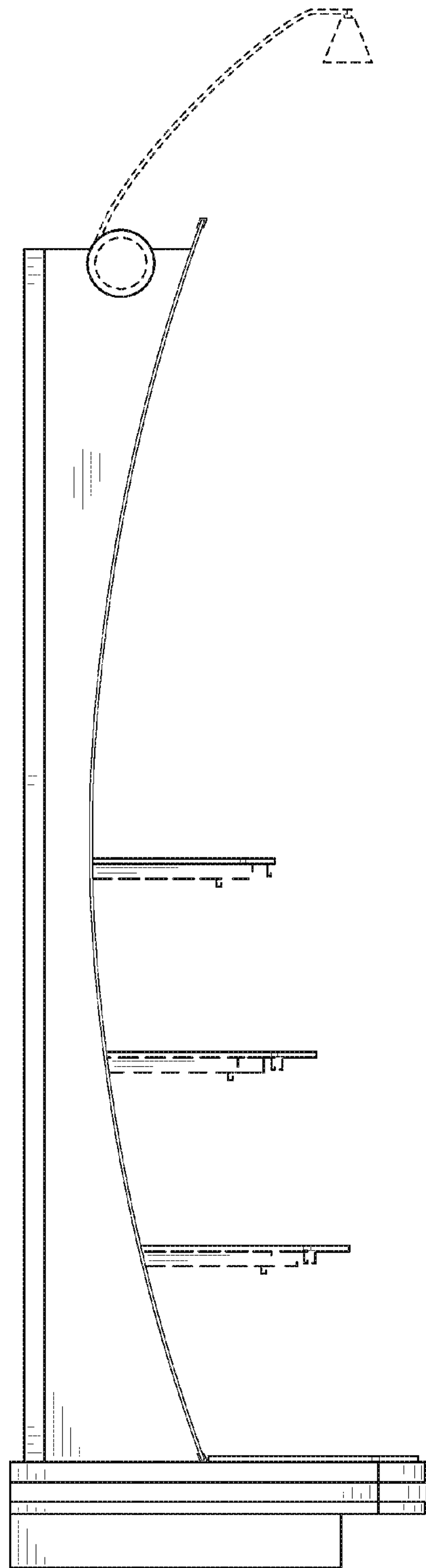


FIG. 5

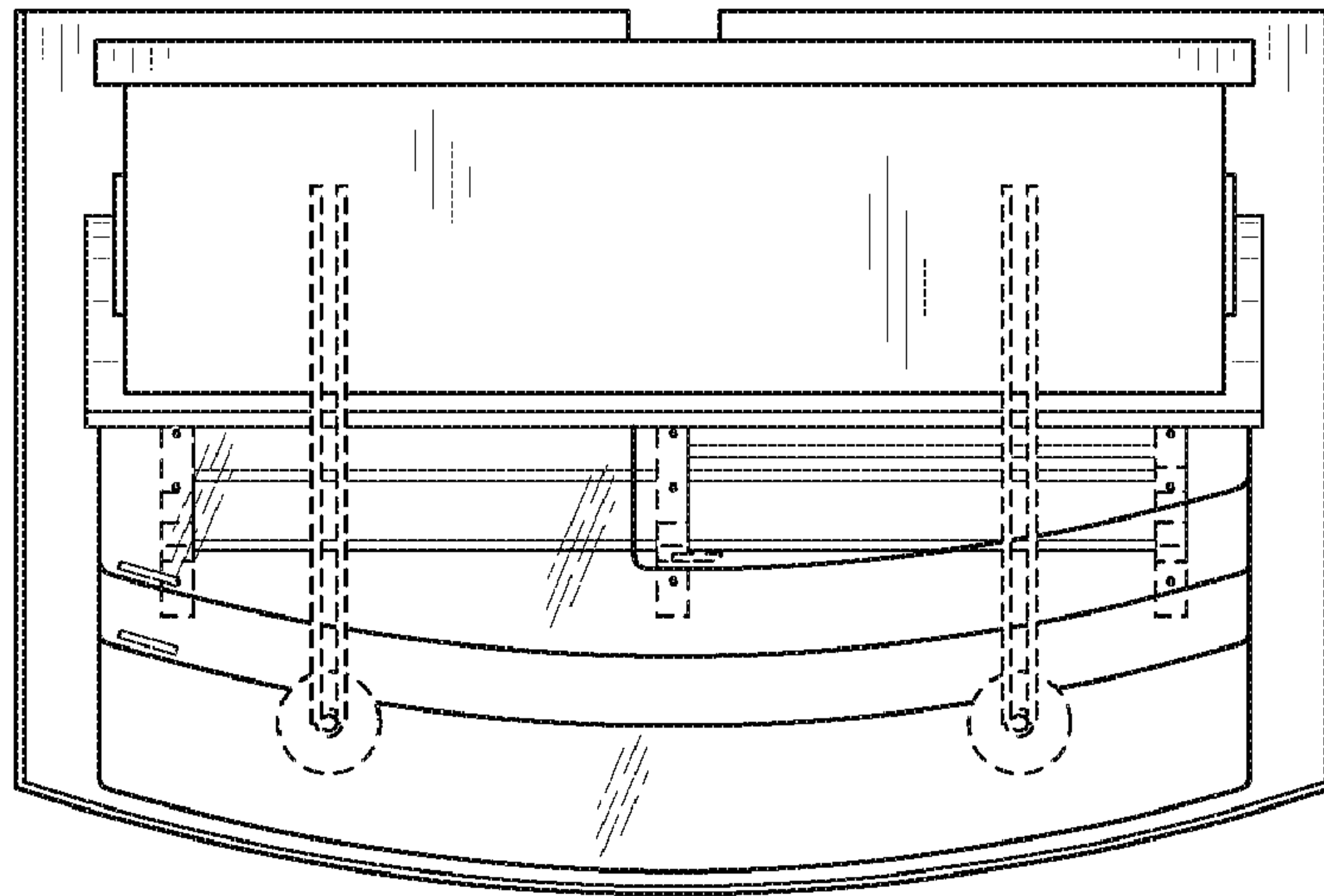


FIG. 6

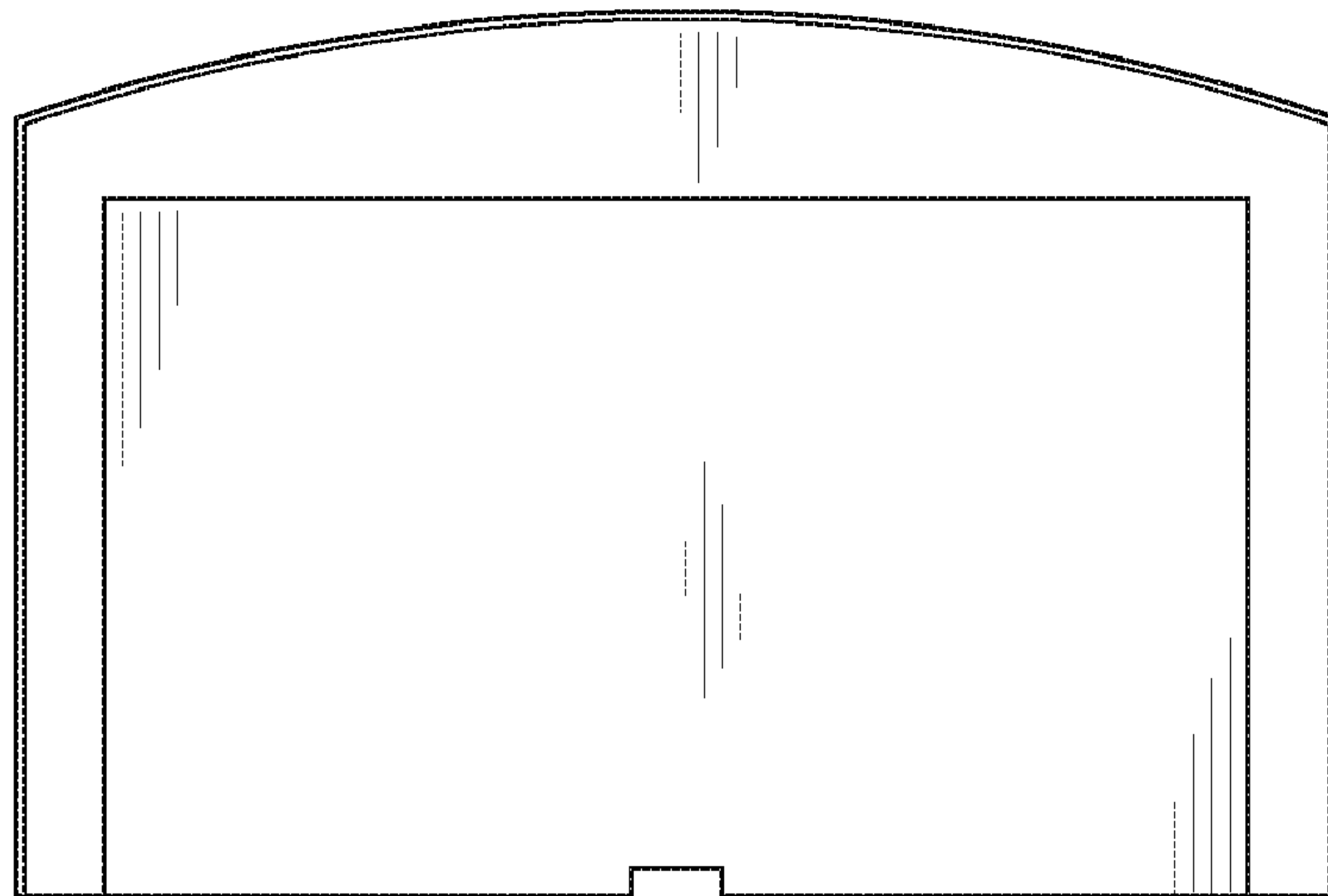


FIG. 7