

US00D607667S

(12) **United States Design Patent**
Cayouette

(10) **Patent No.:** **US D607,667 S**
(45) **Date of Patent:** **** Jan. 12, 2010**

(54) **SHELVING UNIT**

(75) Inventor: **Francis Cayouette**, Denmark (CA)

(73) Assignee: **Ikea of Sweden**, Tulpanvägen (SE)

(**) Term: **14 Years**

(21) Appl. No.: **29/324,870**

(22) Filed: **Sep. 22, 2008**

(51) **LOC (9) Cl.** **06-04**

(52) **U.S. Cl.** **D6/449**

(58) **Field of Classification Search** D6/460,
D6/461, 468, 474, 477-479, 449, 571, 574,
D6/509, 473, 630, 407; D23/387; 108/186,
108/27, 180, 65, 379; 403/217; 211/186,
211/90.01, 107, 111, 119.003, 134, 153,
211/189, 195, 201, 175, 188, 36, 37
See application file for complete search history.

(56) **References Cited**

U.S. PATENT DOCUMENTS

D179,999 S *	4/1957	Wilson	D6/479
2,806,606 A *	9/1957	Evans	108/27
2,825,101 A *	3/1958	Rubenstein	403/217
D247,273 S *	2/1978	Peters	D6/571
D334,977 S *	4/1993	Avari	D23/387
D358,725 S *	5/1995	Stender	D6/407

5,855,175 A *	1/1999	Forbes	108/180
D450,518 S *	11/2001	Frederick	D6/630
D477,157 S *	7/2003	Rimback	D6/473
D518,979 S *	4/2006	Petitclerc	D6/478
D552,900 S *	10/2007	Wilenius	D6/509
D562,594 S *	2/2008	Thompson	D6/474
2001/0037987 A1 *	11/2001	Culp	211/186
2002/0178979 A1 *	12/2002	Tidemann	108/186

* cited by examiner

Primary Examiner—Janice E Seeger

Assistant Examiner—Sydney R Buffalow

(74) *Attorney, Agent, or Firm*—Novak Druce + Quigg LLP

(57) **CLAIM**

I claim the ornamental design for a shelving unit, as shown and described.

DESCRIPTION

FIG. 1 is a front perspective view of the shelving unit;

FIG. 2 is a front elevational view thereof;

FIG. 3 is a rear elevational view thereof;

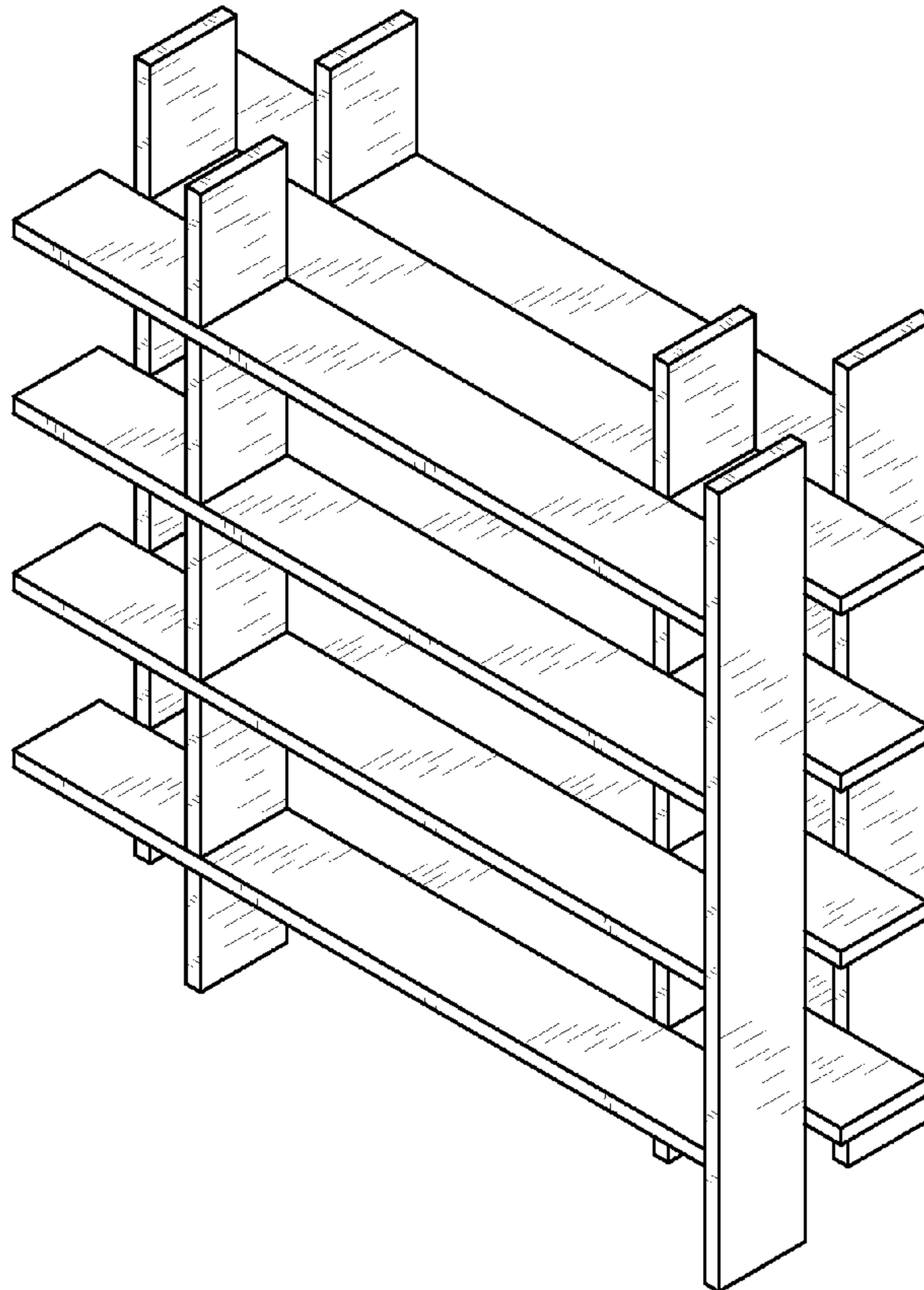
FIG. 4 is a left elevational view thereof;

FIG. 5 is a right elevational view thereof;

FIG. 6 is a top plan view thereof; and,

FIG. 7 is bottom plan view thereof.

1 Claim, 7 Drawing Sheets



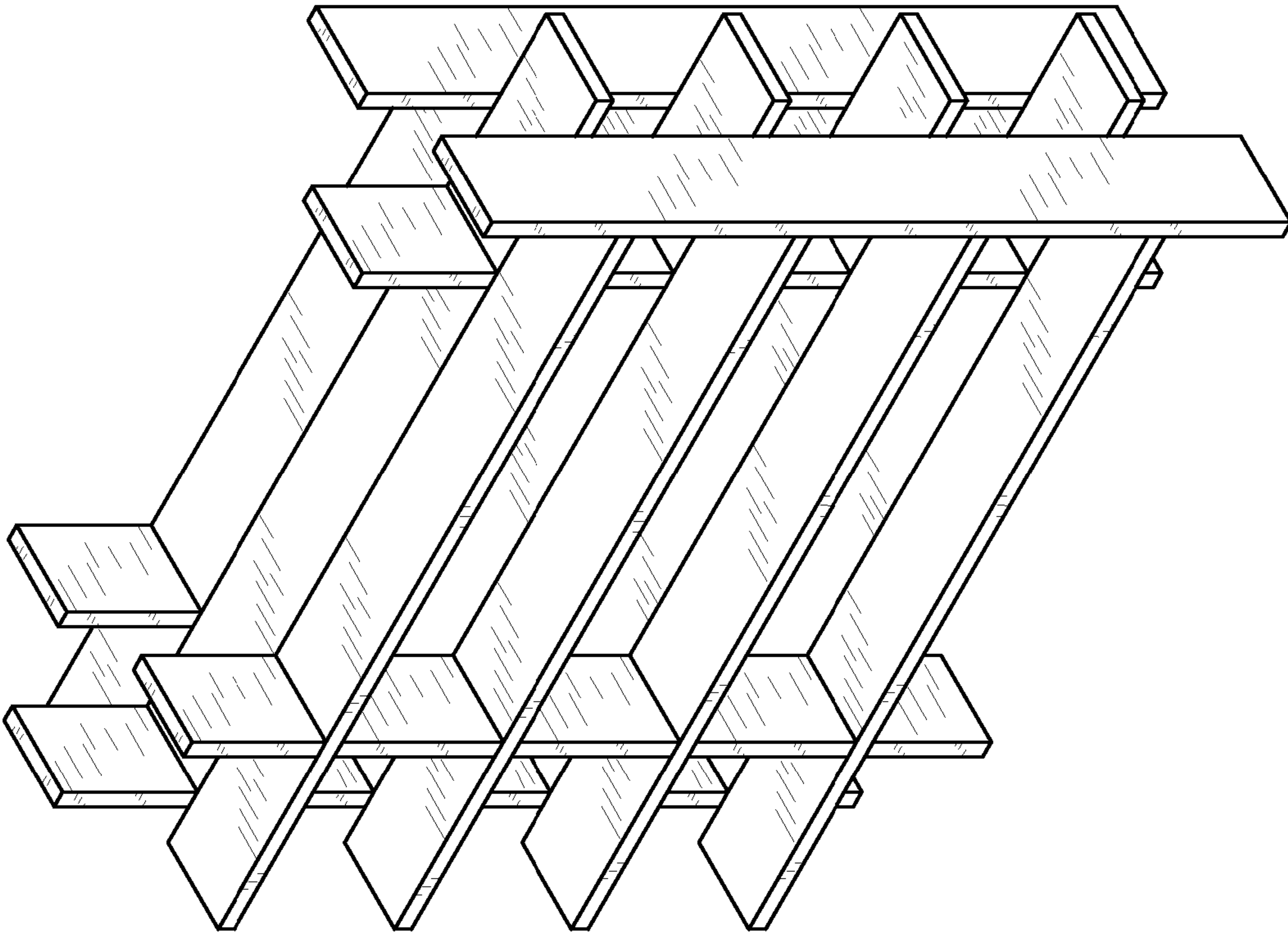


FIG. 1

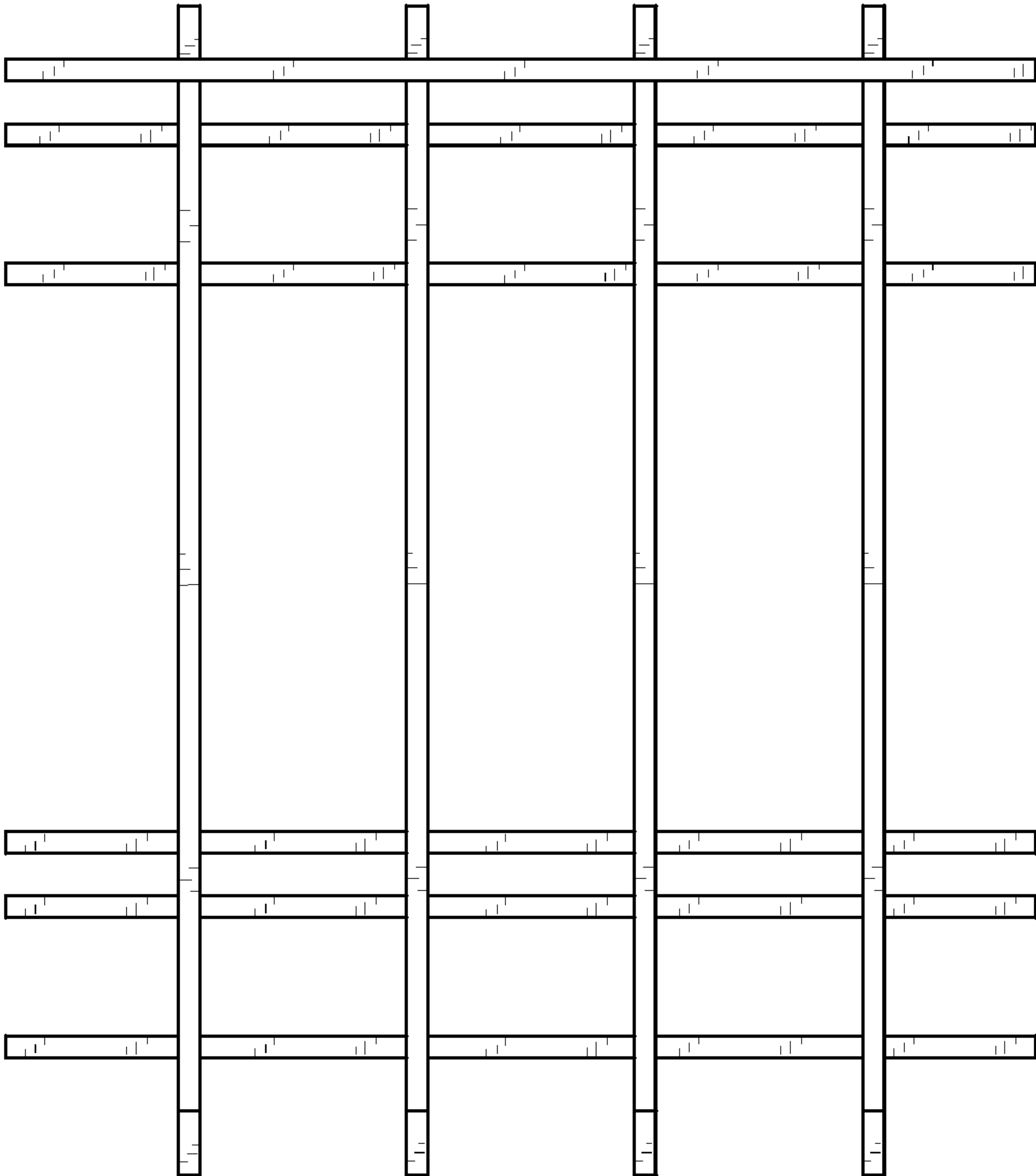


FIG. 2

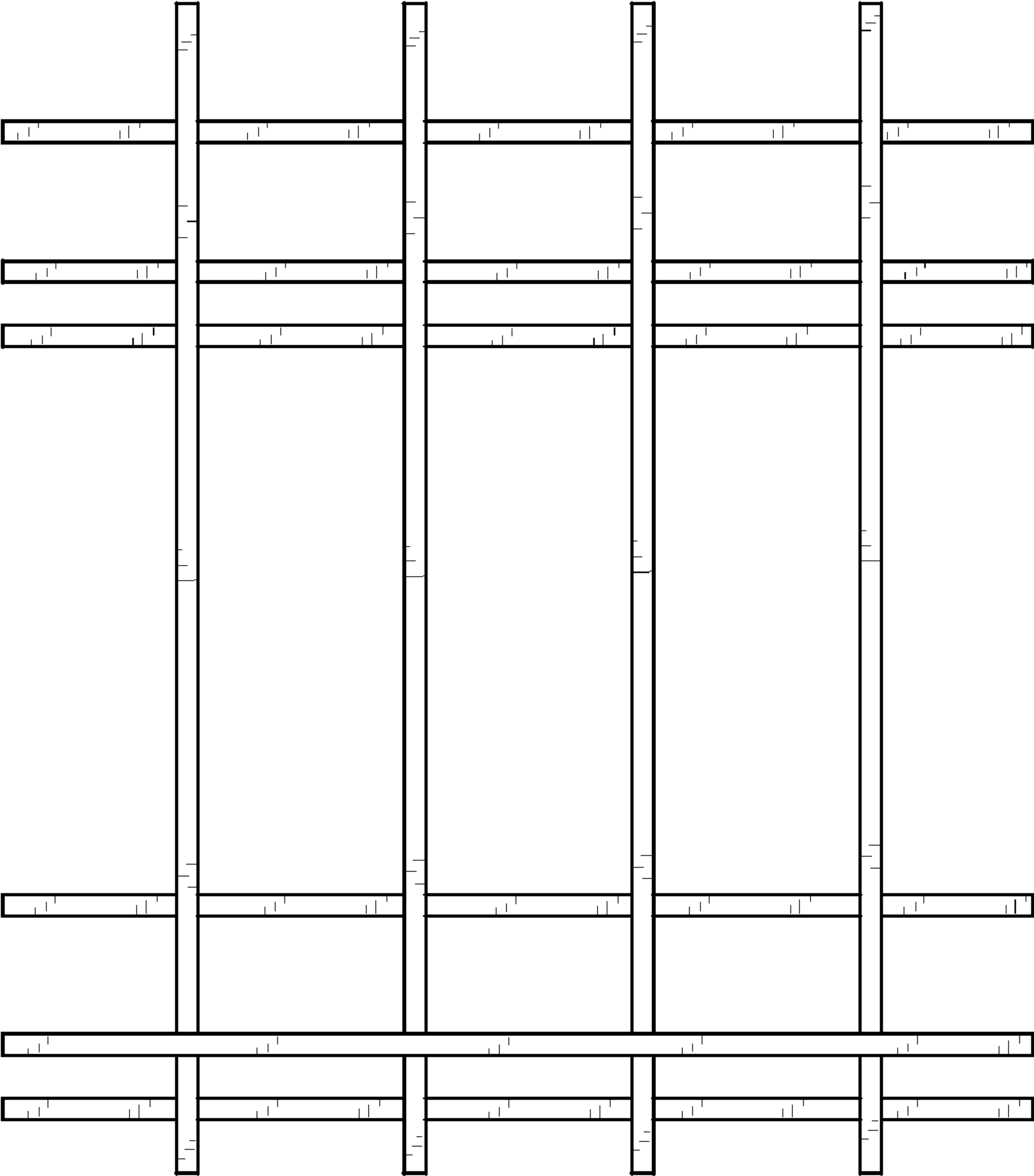


FIG. 3

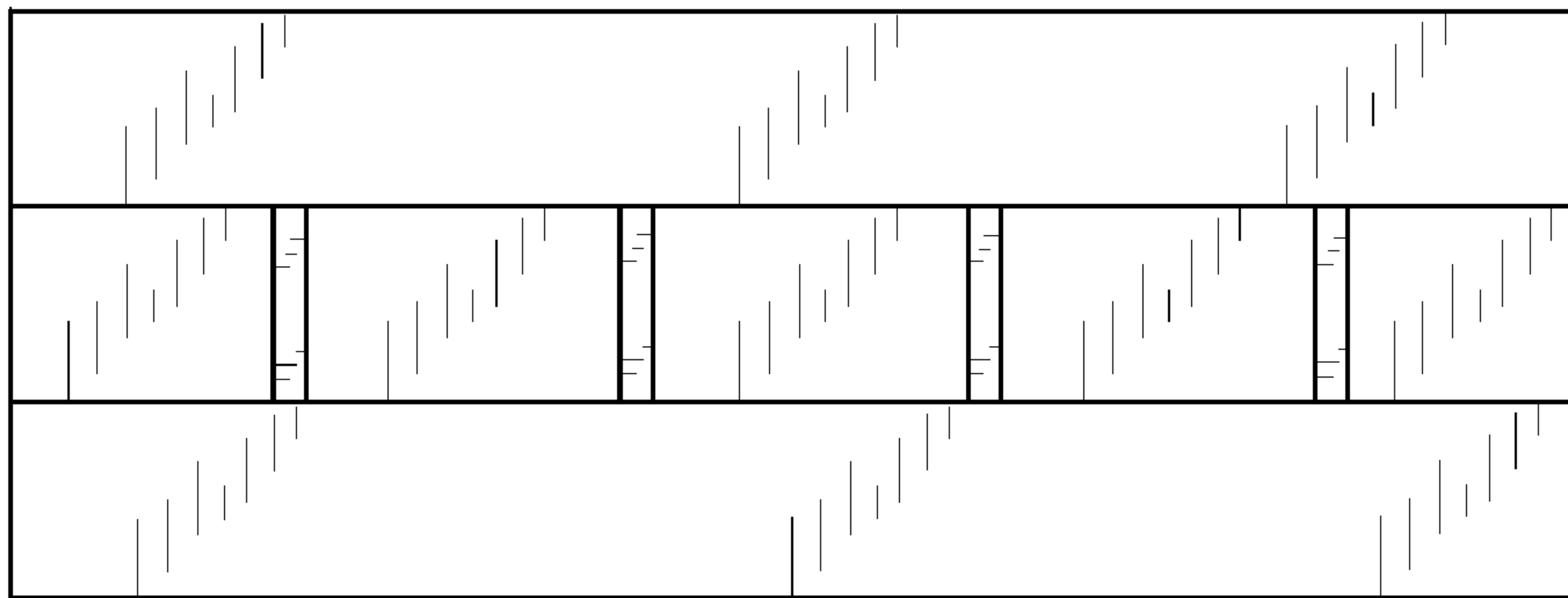


FIG. 4

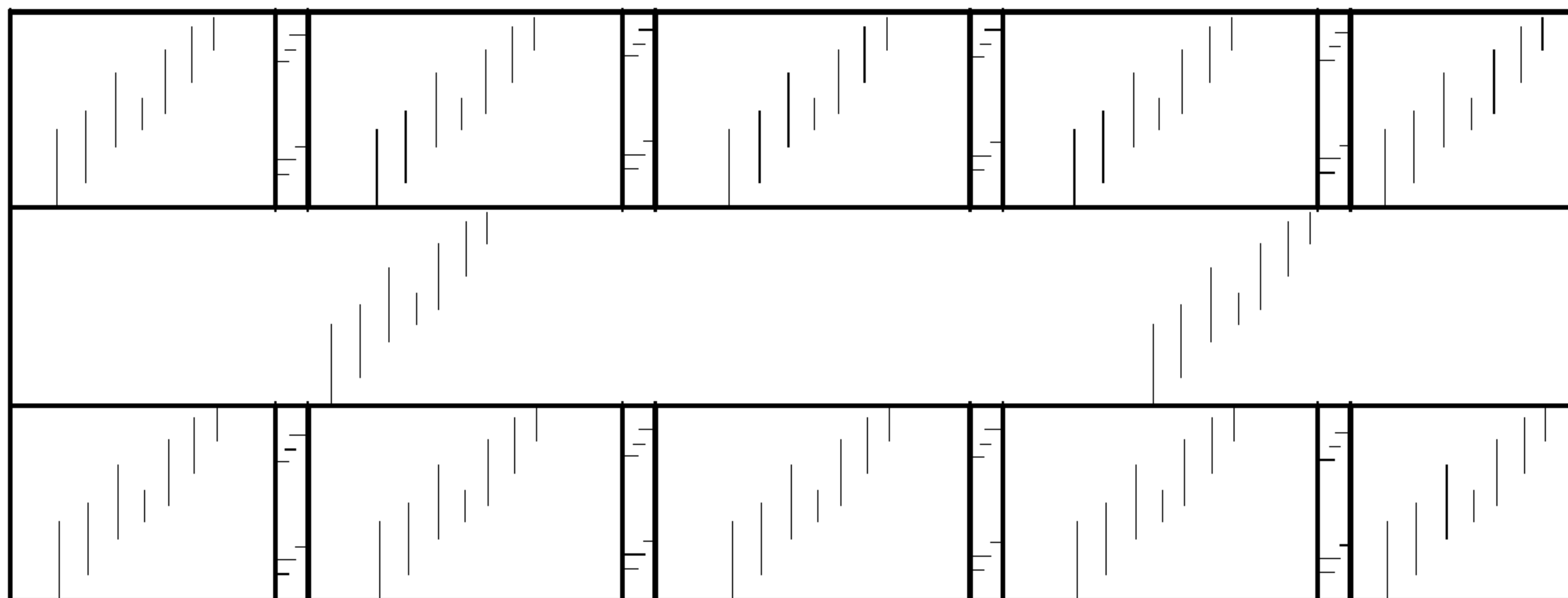


FIG. 5

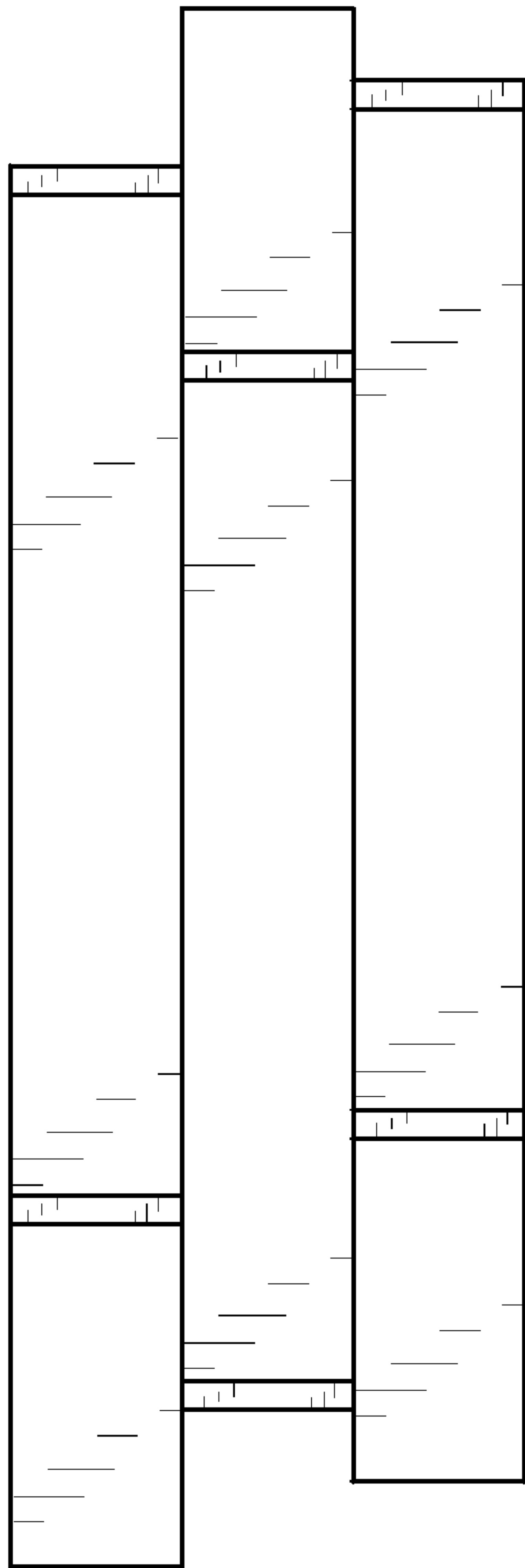


FIG. 6

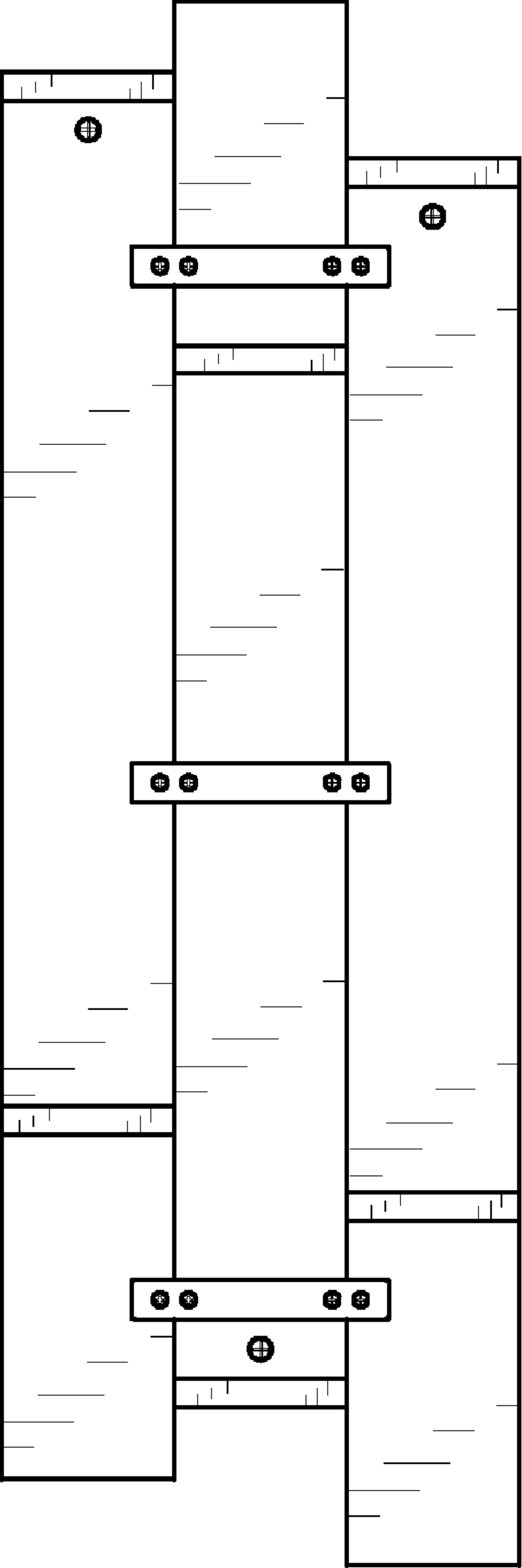


FIG. 7