

US00D607666S

(12) **United States Design Patent**
Isbell

(10) **Patent No.:** **US D607,666 S**
(45) **Date of Patent:** **** Jan. 12, 2010**

(54) **INTERNALLY LIGHTED JEWELRY DISPLAY**

D575,556 S * 8/2008 Rohkar, Jr. D6/466
2002/0124611 A1* 9/2002 Piermattei 70/456 R

(75) Inventor: **Christopher Ryan Isbell**, 4689 W.
Cooper Dale Pl., West Jordan, UT (US)
84088

* cited by examiner

(73) Assignee: **Christopher Ryan Isbell**, West Jordan,
UT (US)

Primary Examiner—Caron Veynar
Assistant Examiner—Sydney R Buffalow
(74) *Attorney, Agent, or Firm*—Christopher Ryan Isbell

(**) Term: **14 Years**

(57) **CLAIM**

(21) Appl. No.: **29/319,523**

The ornamental design for an internally lighted jewelry display, as shown and described.

(22) Filed: **Jun. 10, 2008**

DESCRIPTION

(51) **LOC (9) Cl.** **06-07**

(52) **U.S. Cl.** **D6/449**

(58) **Field of Classification Search** D6/449,
D6/466, 455, 411; 242/176, 141; 108/101;
70/456 R

See application file for complete search history.

FIG. 1 is a perspective partially-exploded view of an internally lighted jewelry display, showing my new design;
FIG. 2 is a front elevational view of the invention;
FIG. 3 is a rear elevational view of the invention;
FIG. 4 is a left-side elevational view of the invention, the right-side elevational view being a mirror image thereof;
FIG. 5 is a top plan view of the invention; and,
FIG. 6 is a bottom plan view of the invention.

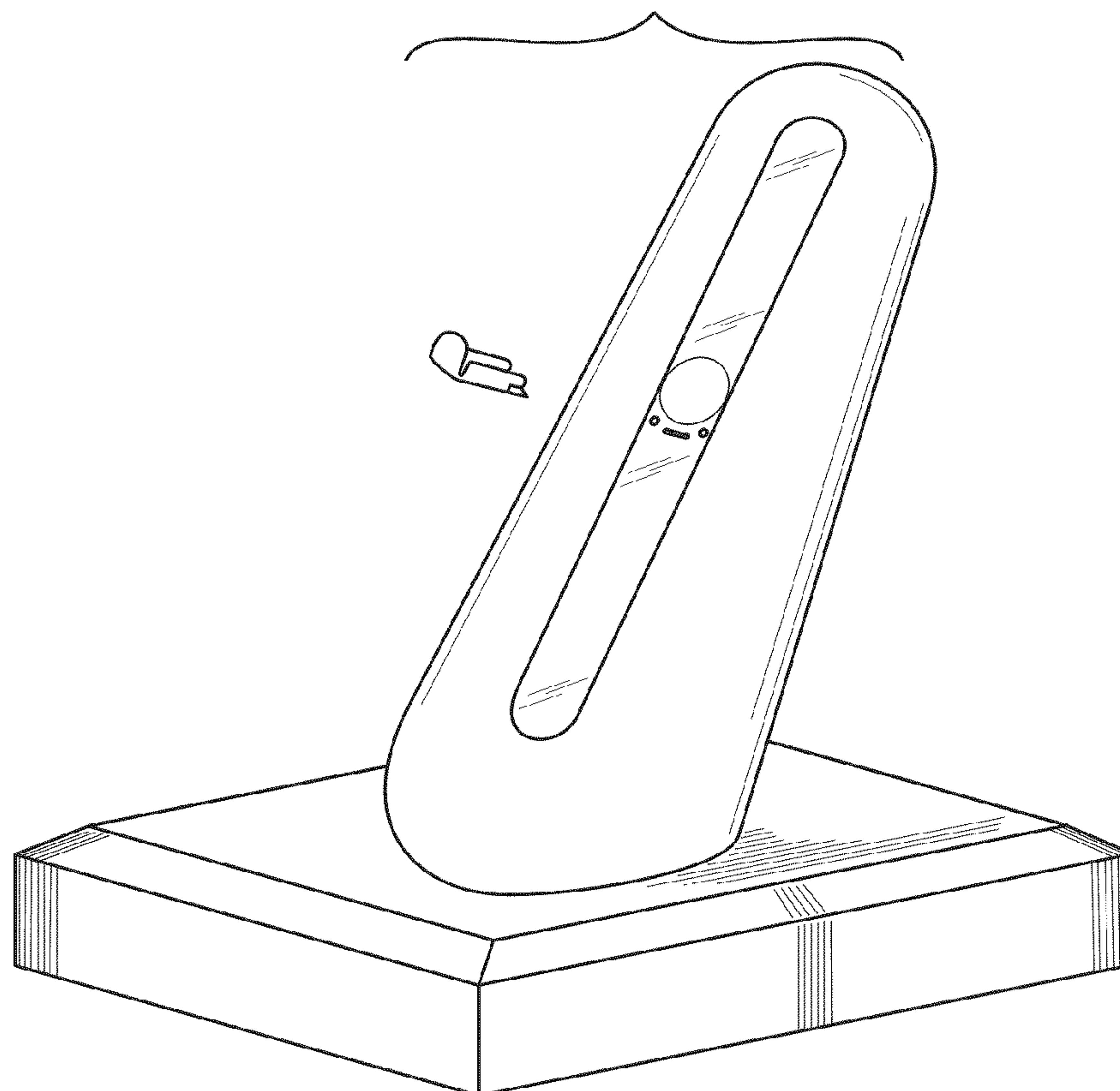
(56) **References Cited**

U.S. PATENT DOCUMENTS

D105,149 S * 6/1937 Stroock D6/411
2,222,039 A * 11/1940 Mahoney 242/176
2,491,585 A * 12/1949 Sammons 242/141
4,026,220 A * 5/1977 Schuring, Jr. 108/101
D355,794 S * 2/1995 Wenzel-Murphy et al. ... D6/455

The broken lines are for the illustrative purposes only and form no part of the claimed design.

1 Claim, 3 Drawing Sheets



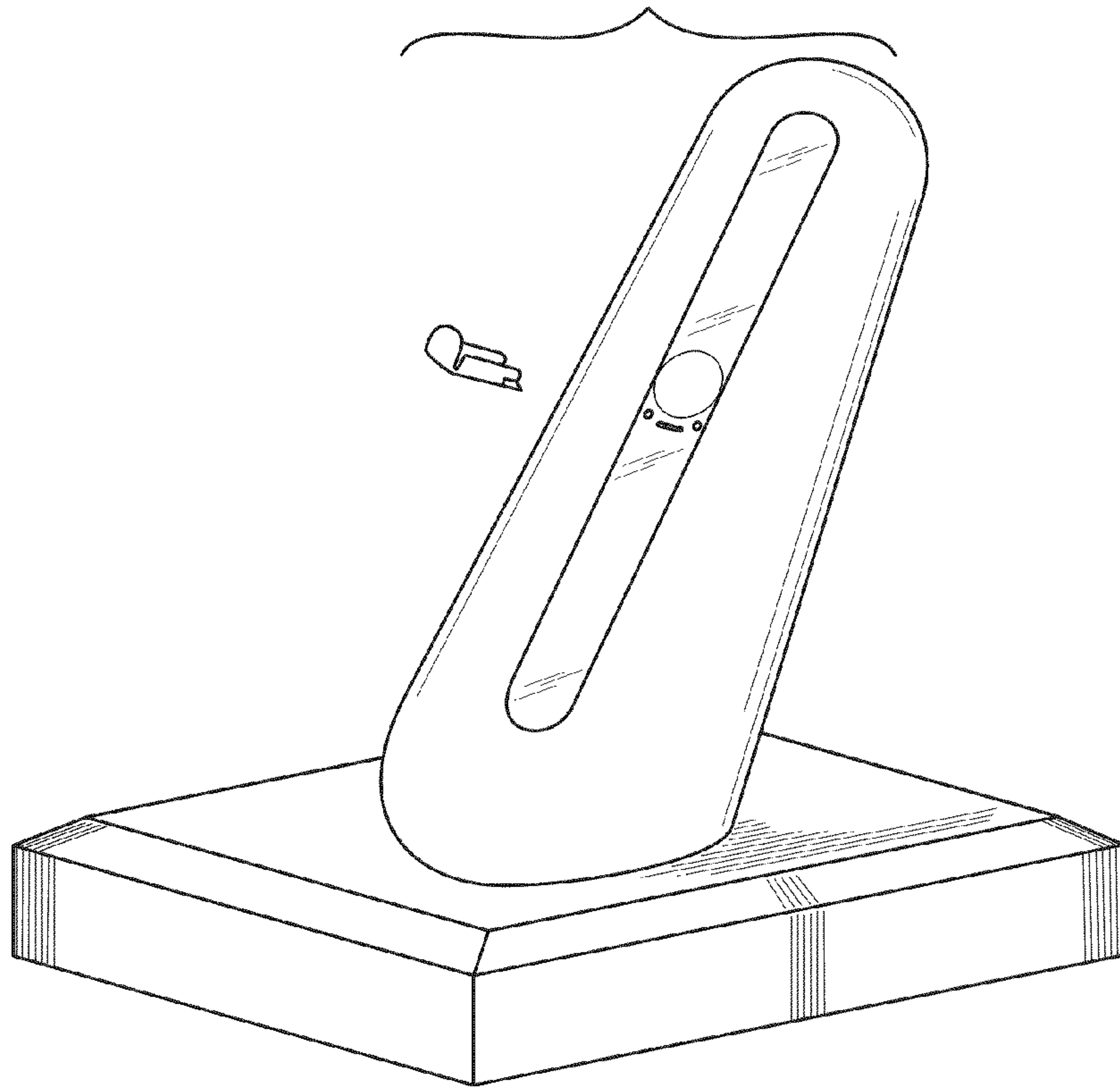


FIG. 1

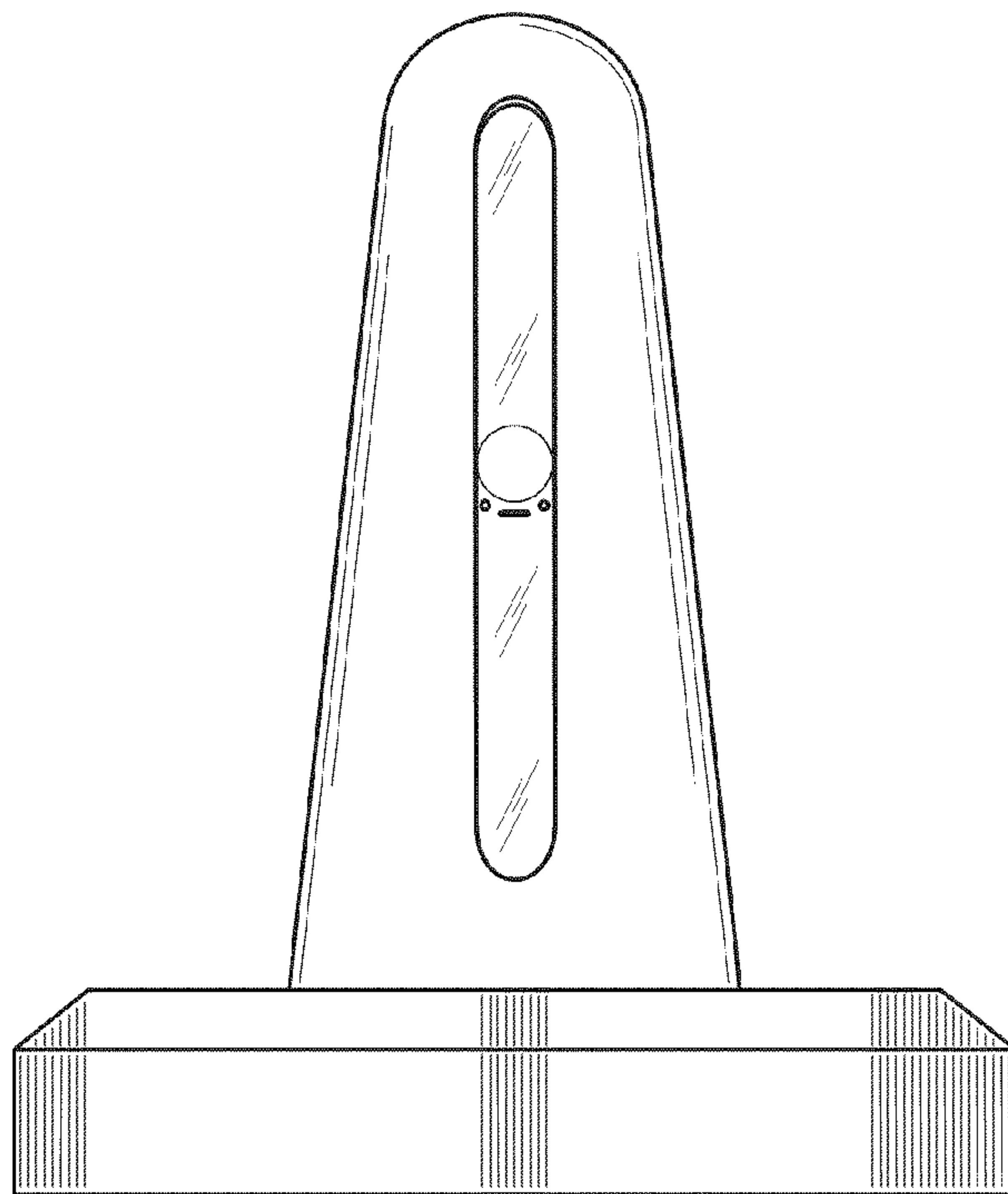


FIG. 2

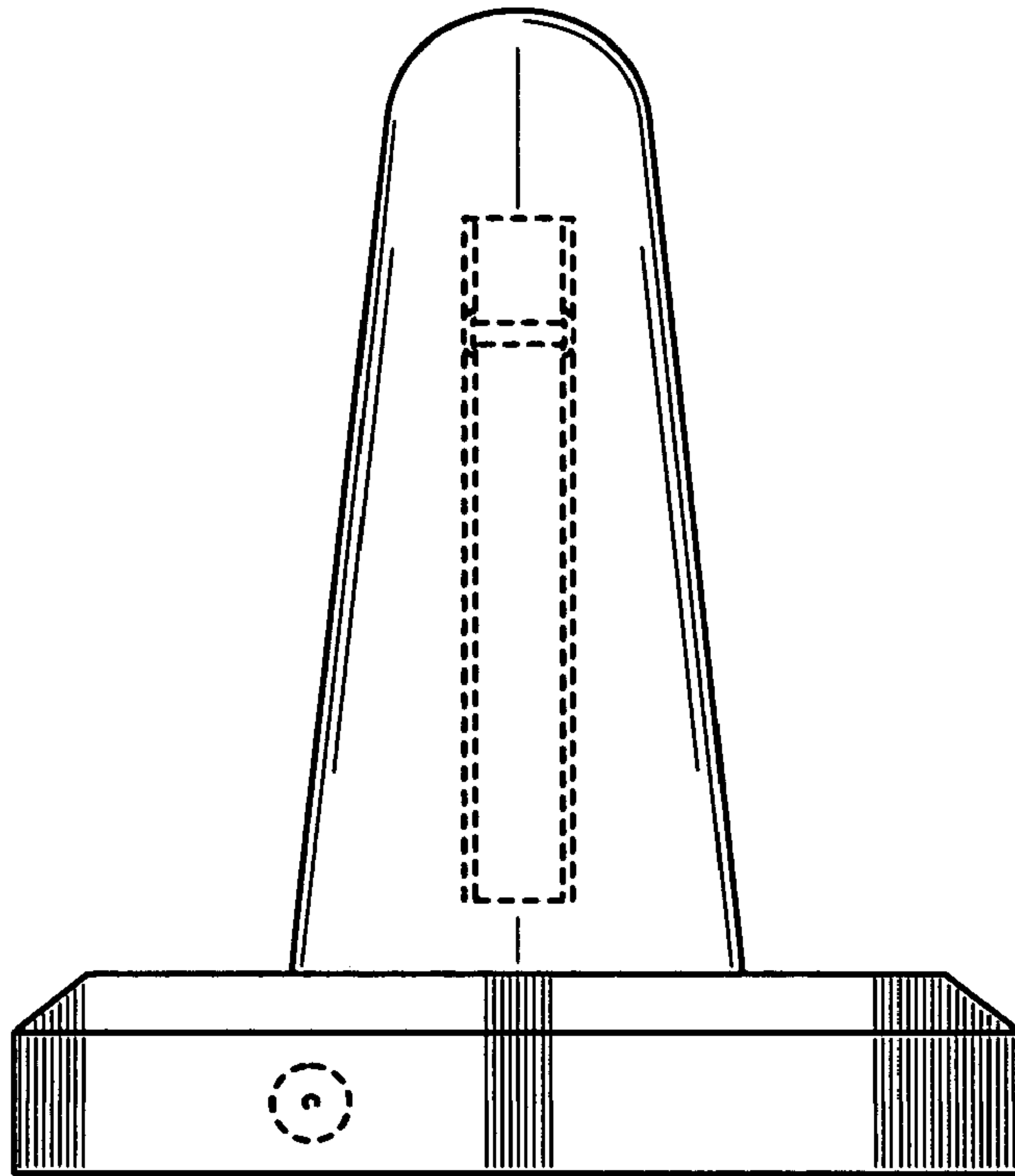


FIG. 3

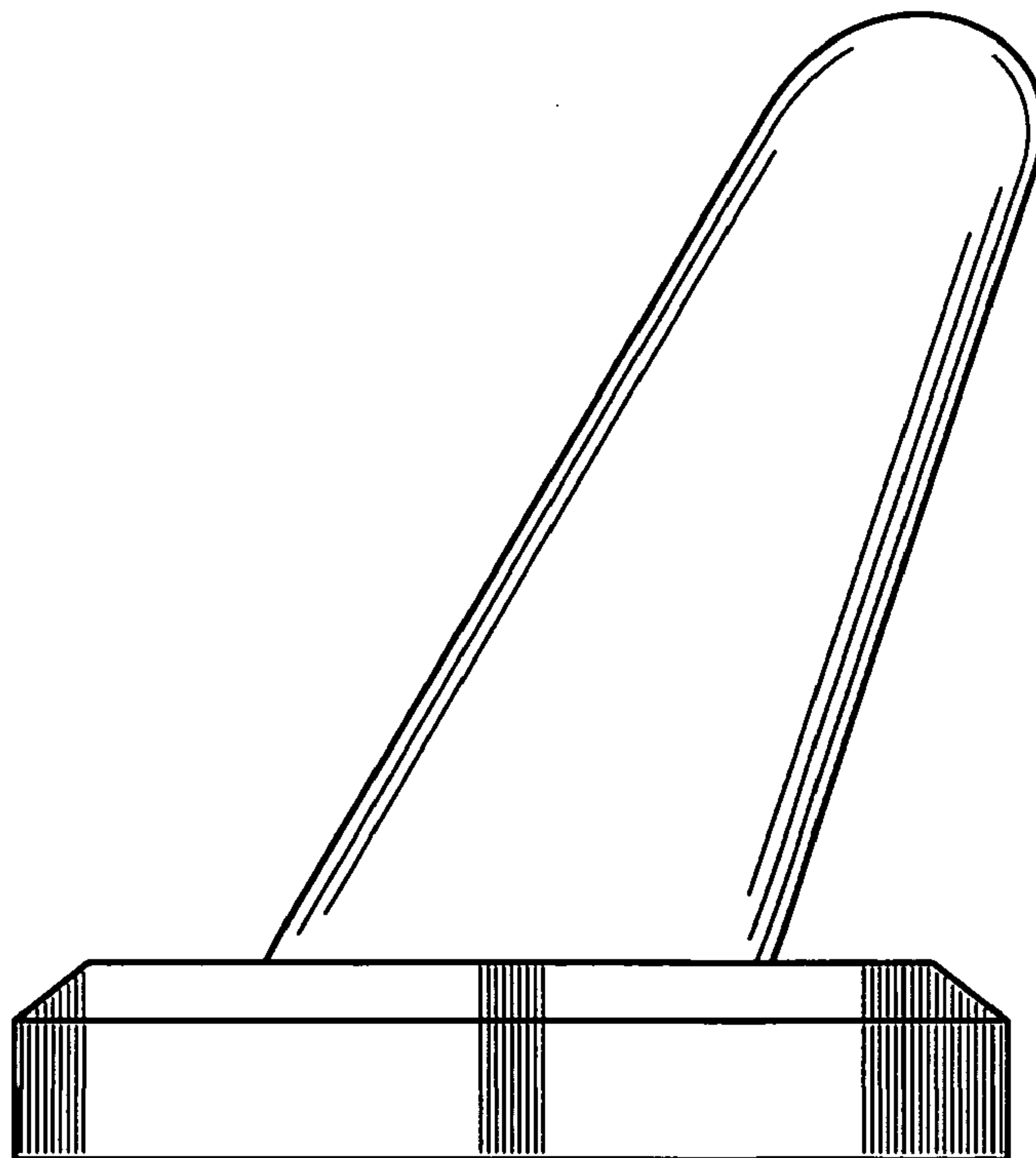


FIG. 4

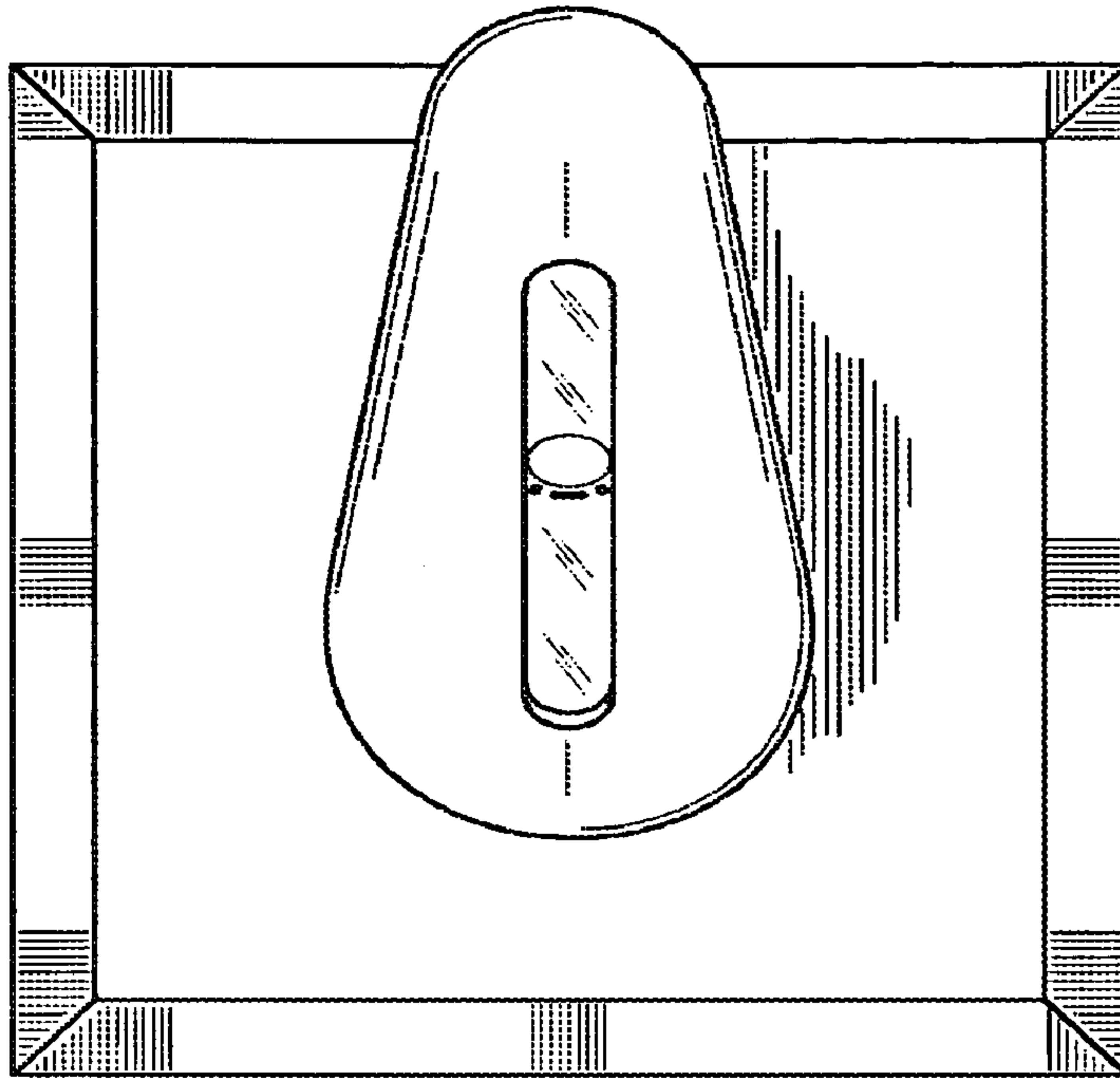


FIG. 5

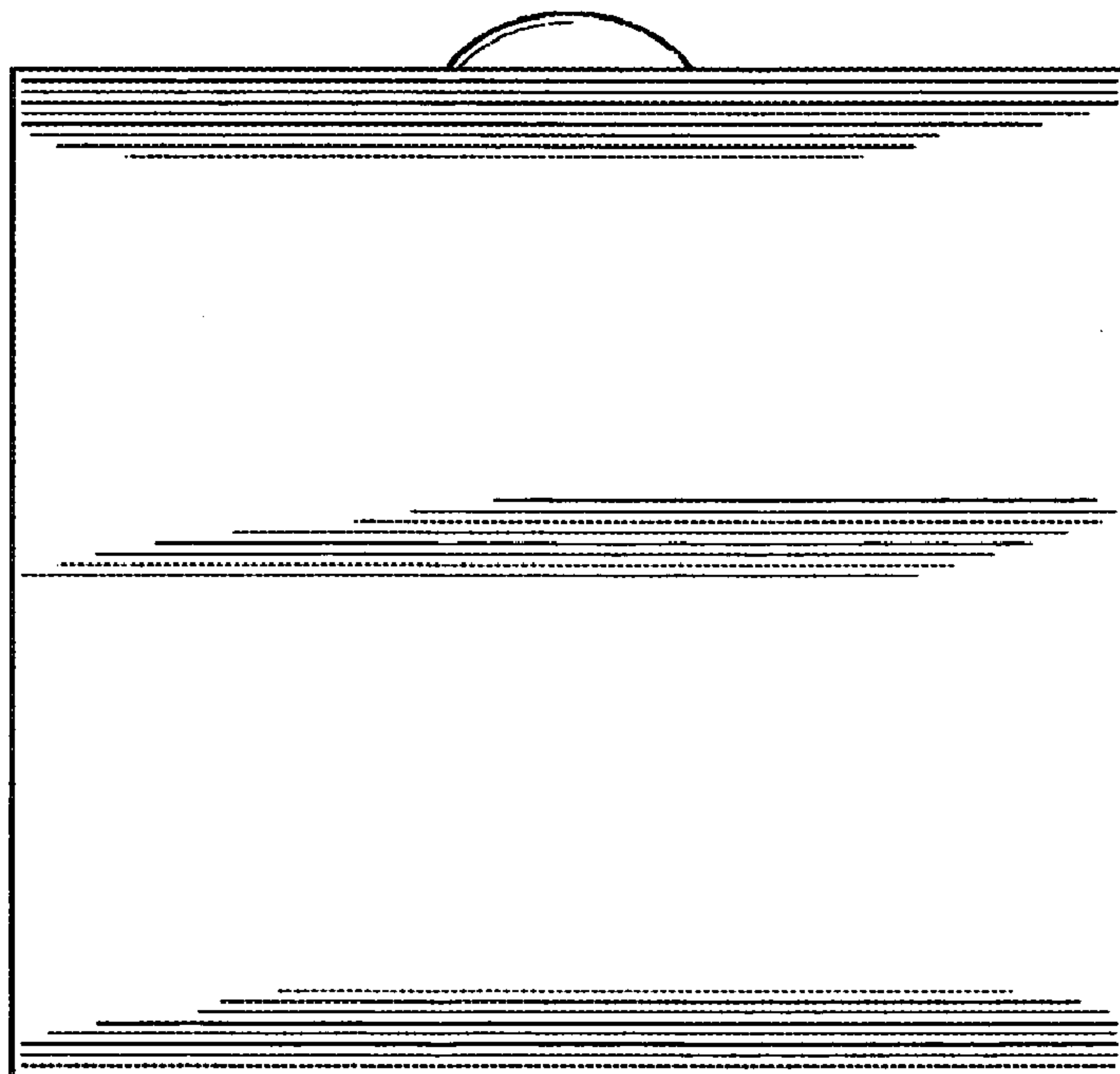


FIG. 6