



US00D607664S

(12) **United States Design Patent**  
**Chabot**

(10) **Patent No.:** **US D607,664 S**  
(45) **Date of Patent:** **\*\* Jan. 12, 2010**

(54) **MOTORCYCLE SADDLE BAG STAND**

2007/0163974 A1\* 7/2007 Lai ..... 211/85.3

(76) Inventor: **Paul Chabot**, 298 Douglas Pike,  
Smithfield, RI (US) 02917

\* cited by examiner

(\*\*) Term: **14 Years**

*Primary Examiner*—Caron Veynar  
*Assistant Examiner*—Sydney R Buffalow  
(74) *Attorney, Agent, or Firm*—Salter & Michaelson

(21) Appl. No.: **29/332,091**

(57) **CLAIM**

(22) Filed: **Feb. 9, 2009**

The ornamental design for a motorcycle saddle bag stand, as shown and described.

(51) **LOC (9) Cl.** ..... **06-07**

(52) **U.S. Cl.** ..... **D6/396**

(58) **Field of Classification Search** ..... D6/396,  
D6/397, 449, 476; D34/21; 211/182, 13.1,  
211/204, 27, 85.3, 181.1, 133.1, 126.9, 106,  
211/119, 112, 57.1; 280/79.3

See application file for complete search history.

**DESCRIPTION**

(56) **References Cited**

**U.S. PATENT DOCUMENTS**

D152,666 S *	2/1949	Williams	.....	D34/21
2,821,310 A *	1/1958	Holly	.....	211/182
2,950,015 A *	8/1960	Pataky	.....	211/182
3,371,797 A *	3/1968	Caligiuri	.....	211/204
4,572,379 A *	2/1986	Wallo	.....	211/57.1
5,370,240 A *	12/1994	Hand	.....	211/13.1
7,270,339 B2 *	9/2007	Feick	.....	280/79.3
7,578,400 B1 *	8/2009	Hartman, Sr.	.....	211/27

FIG. 1 is a perspective view of a motorcycle saddle bag stand showing my new design in use;

FIG. 2 is a perspective view thereof;

FIG. 3 is a right side elevational view thereof;

FIG. 4 is a left side elevational view thereof;

FIG. 5 is a front elevational view thereof;

FIG. 6 is a rear elevational view thereof;

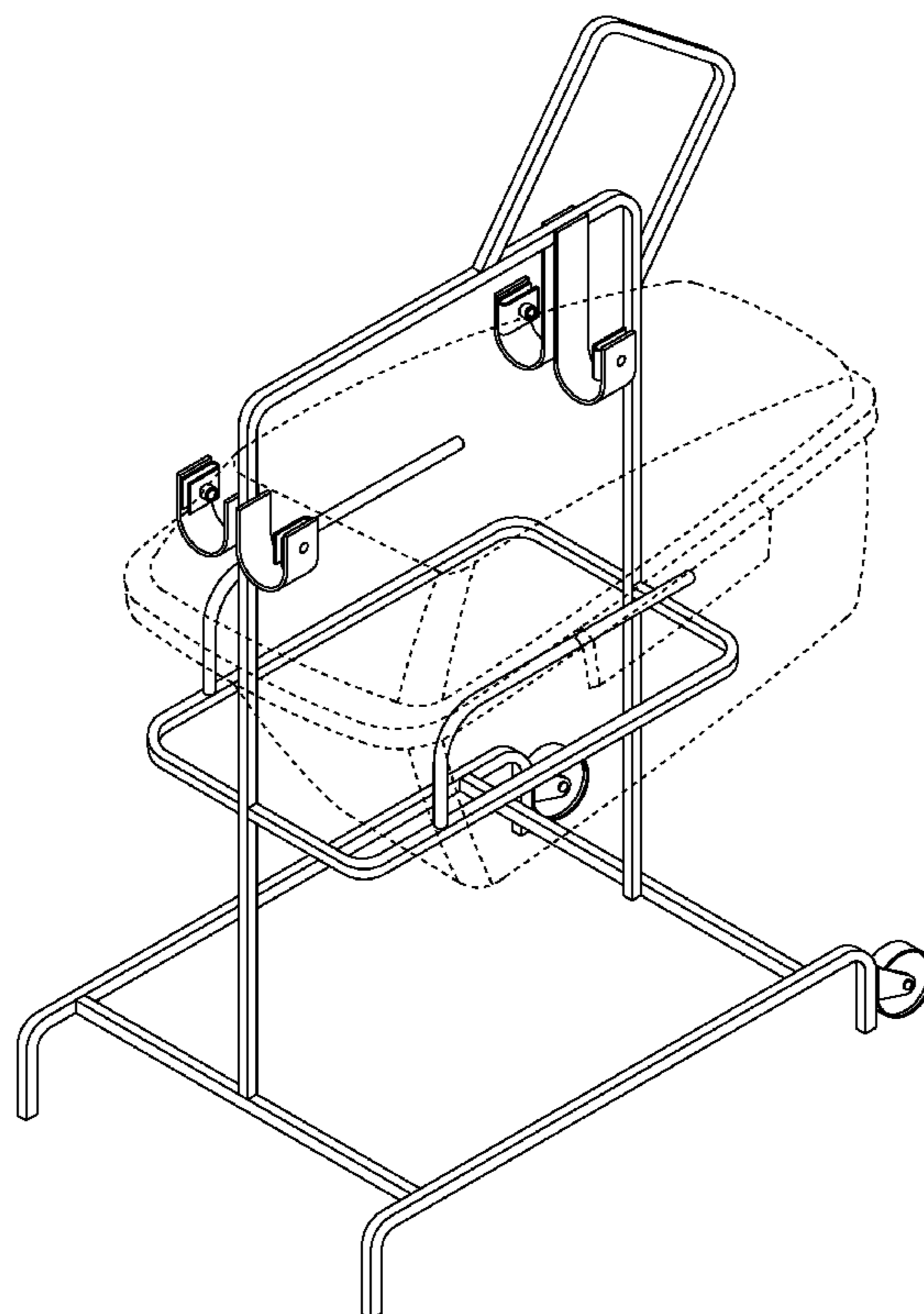
FIG. 7 is a top plan view thereof;

FIG. 8 is a bottom plan view thereof; and,

FIG. 9 is perspective view of an alternate embodiment thereof.

The portions shown in broken lines are included for illustrative purposes only and form no part of the claimed design.

**1 Claim, 8 Drawing Sheets**



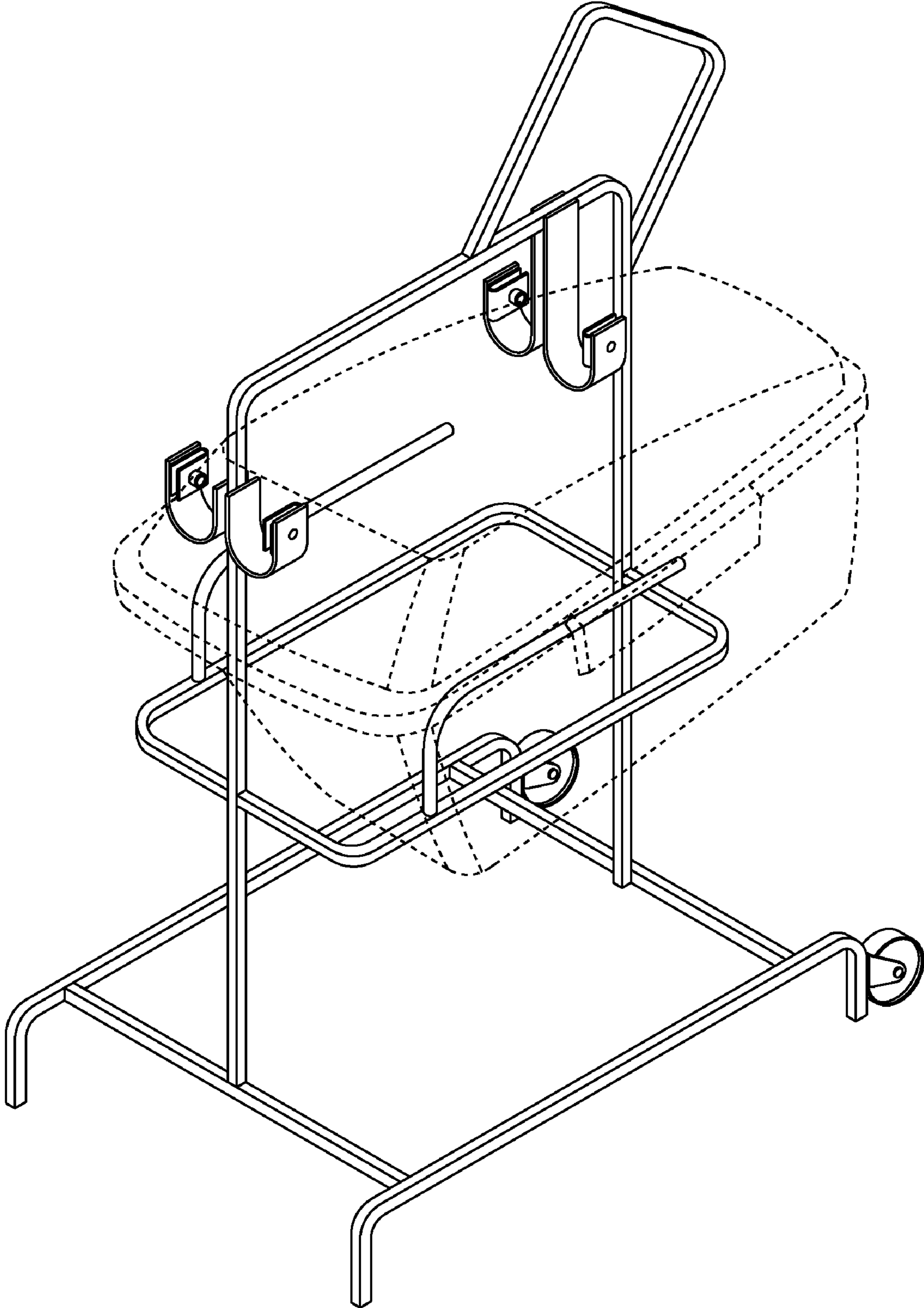


FIG. 1

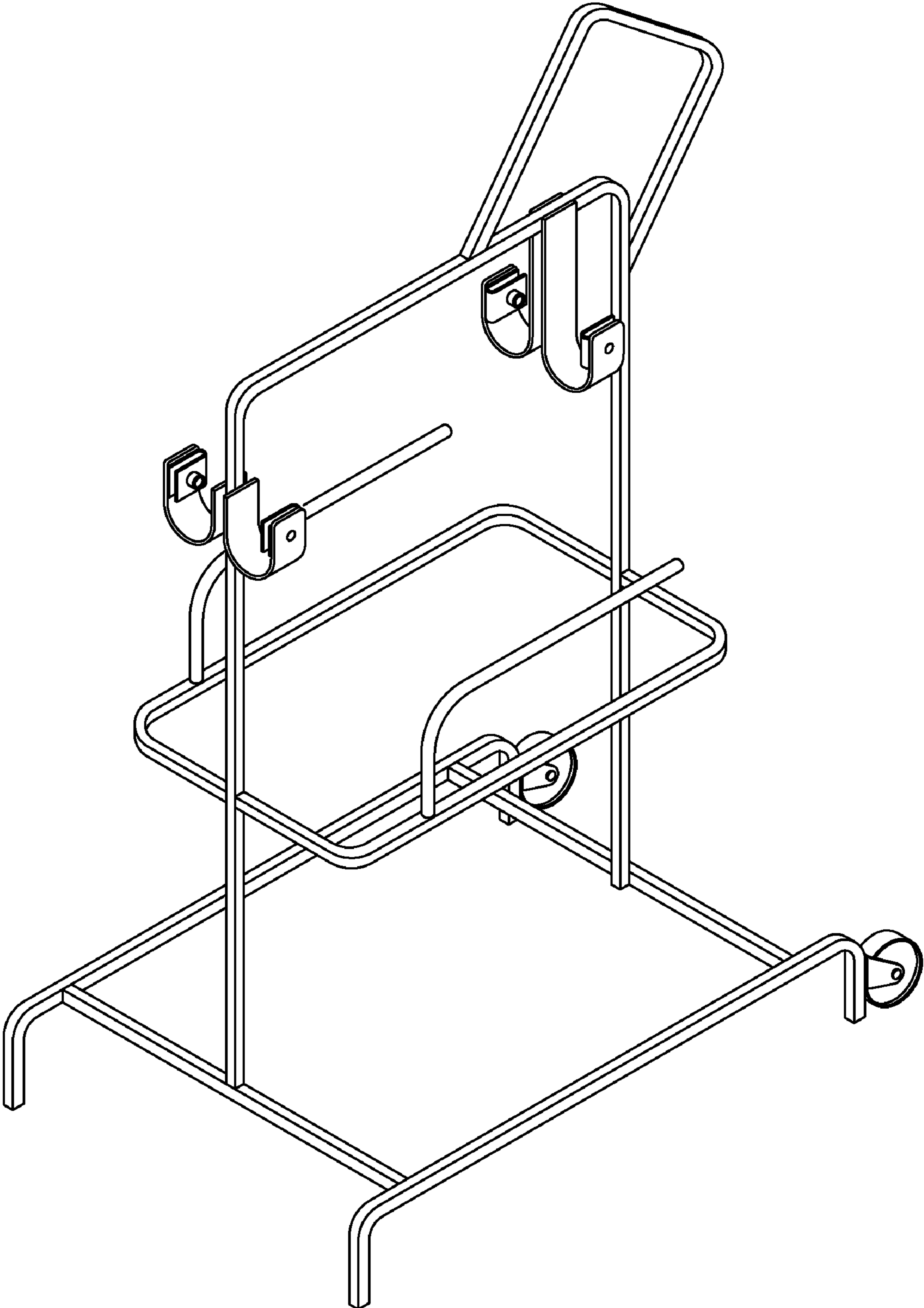


FIG. 2

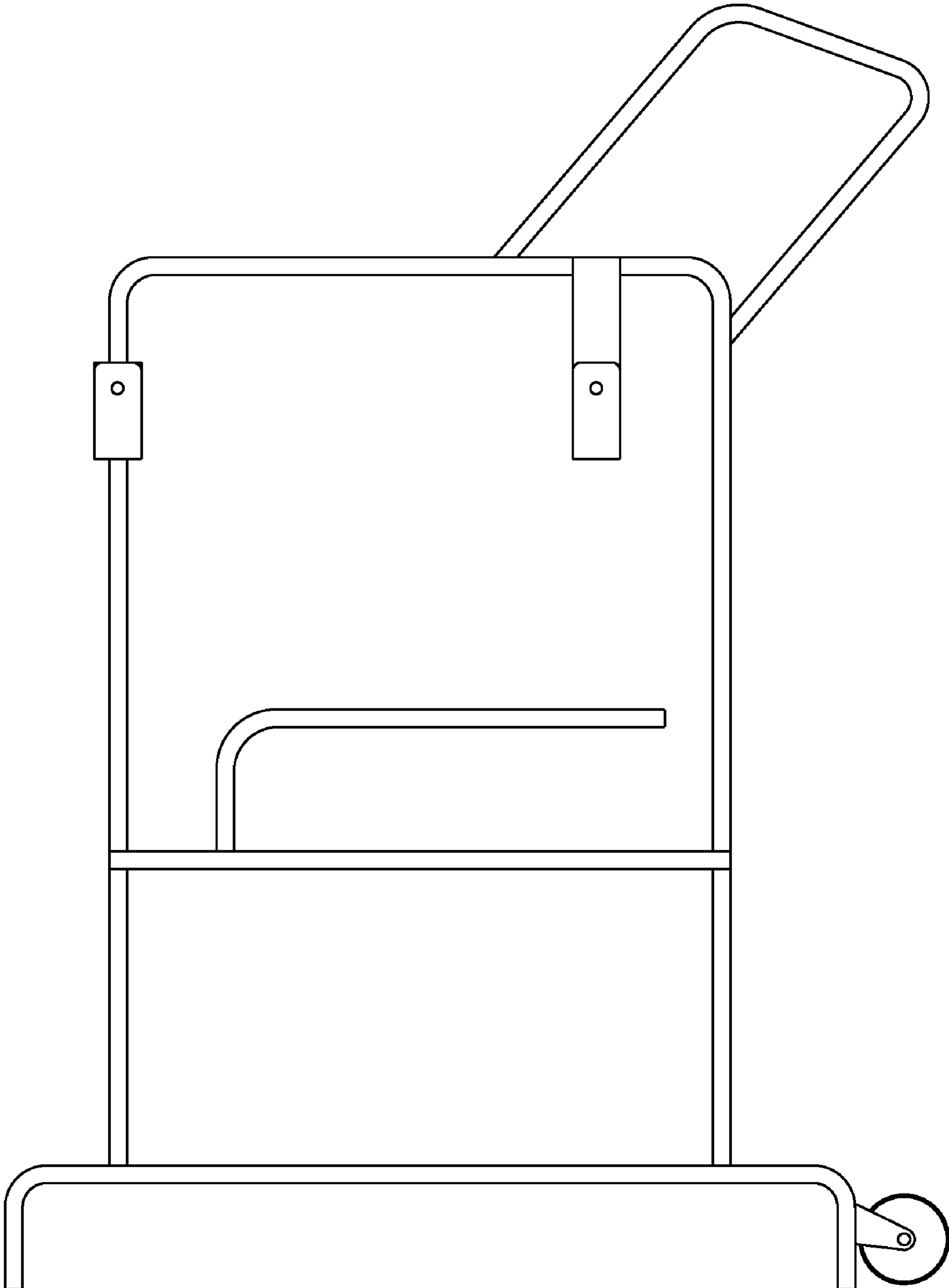


FIG. 3

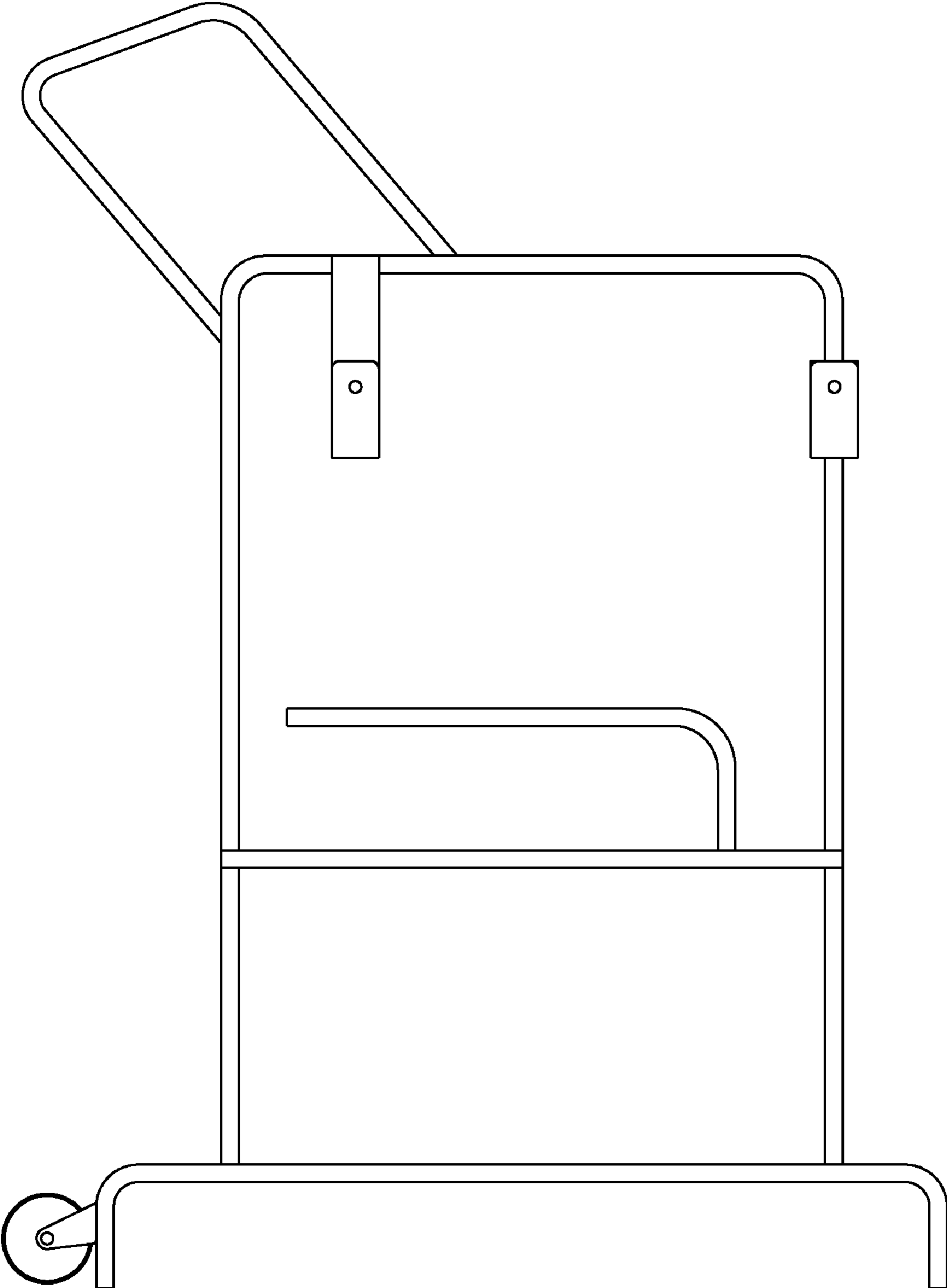


FIG. 4

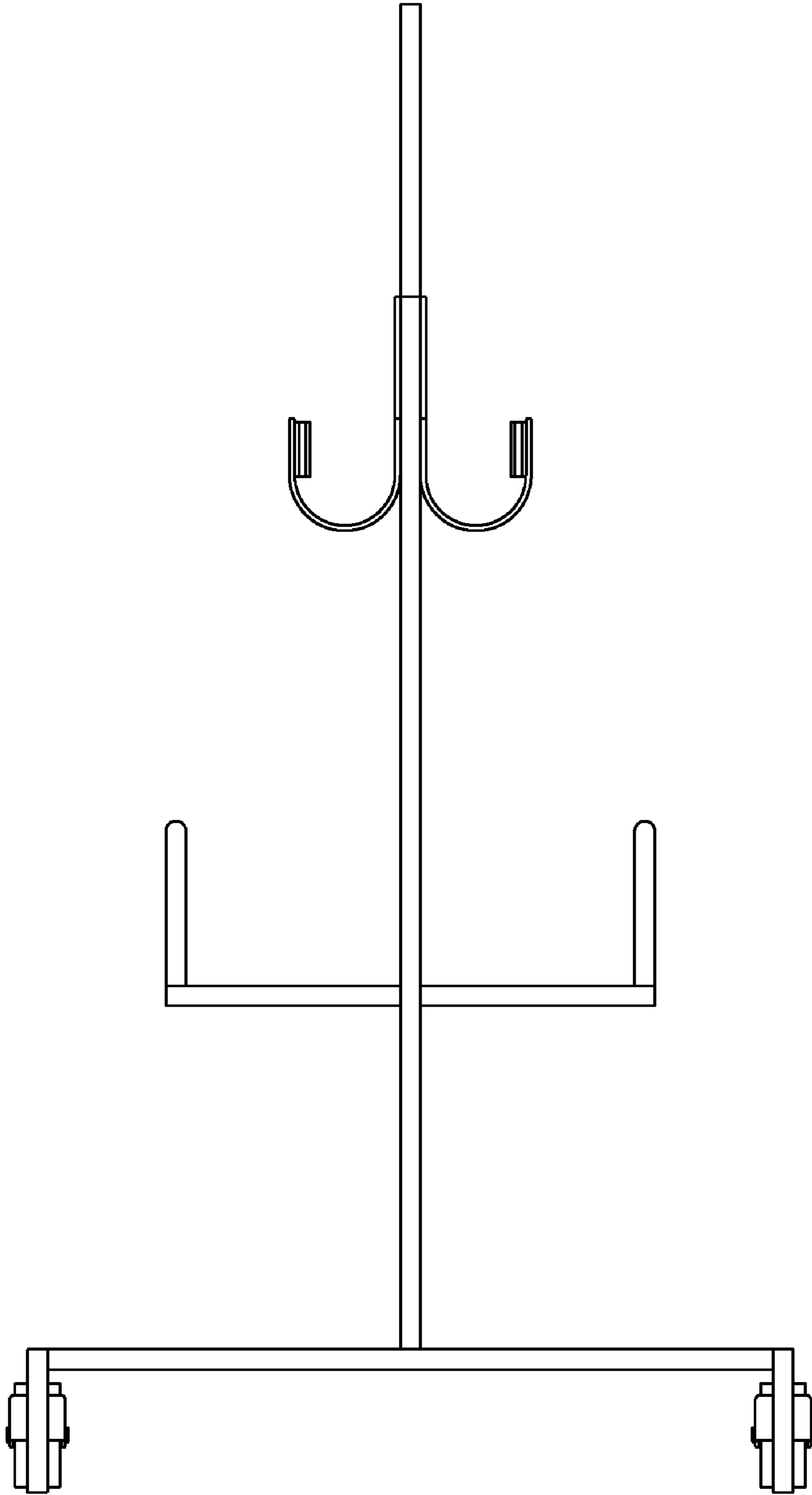


FIG. 5

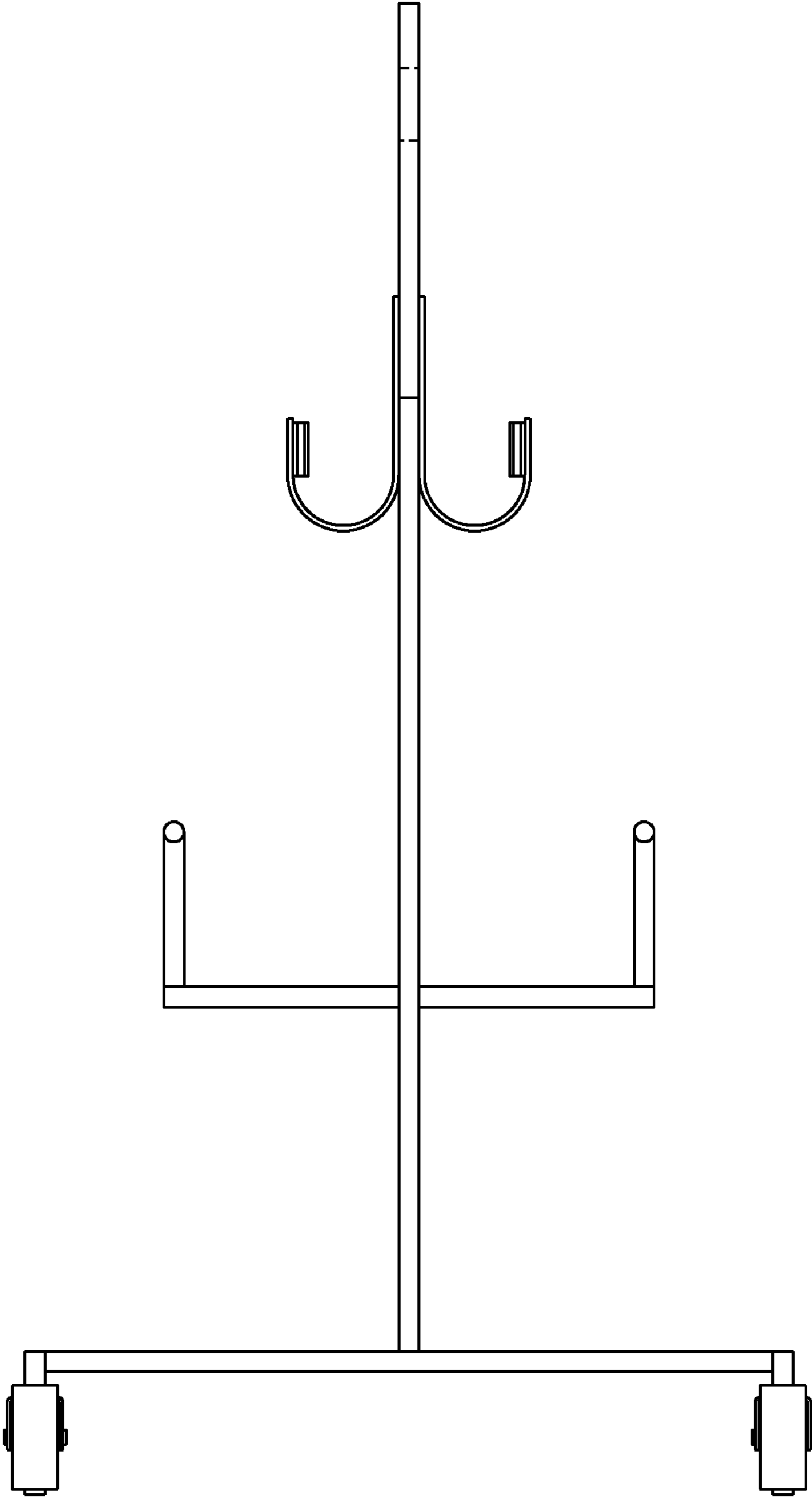


FIG. 6

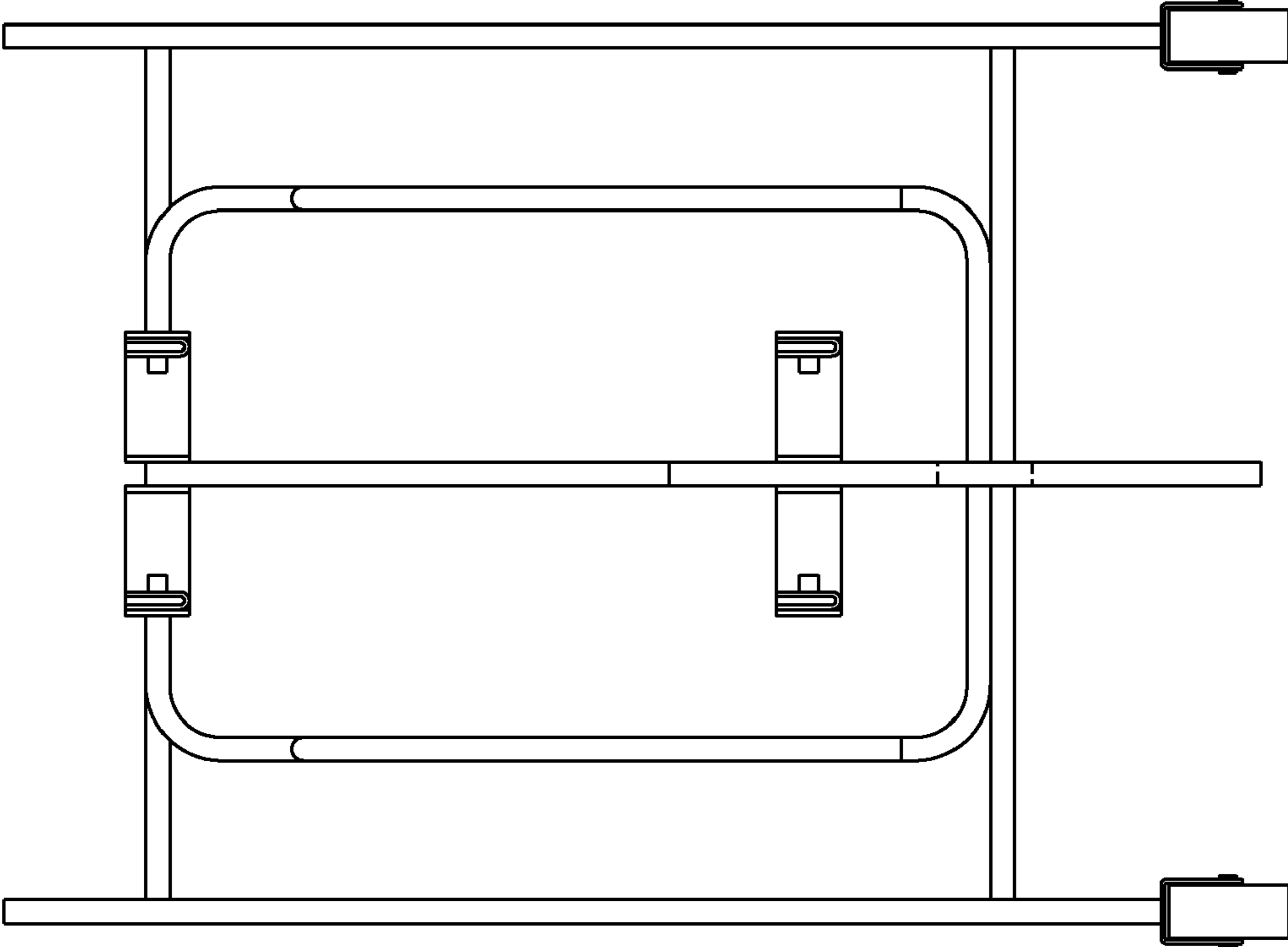


FIG. 7

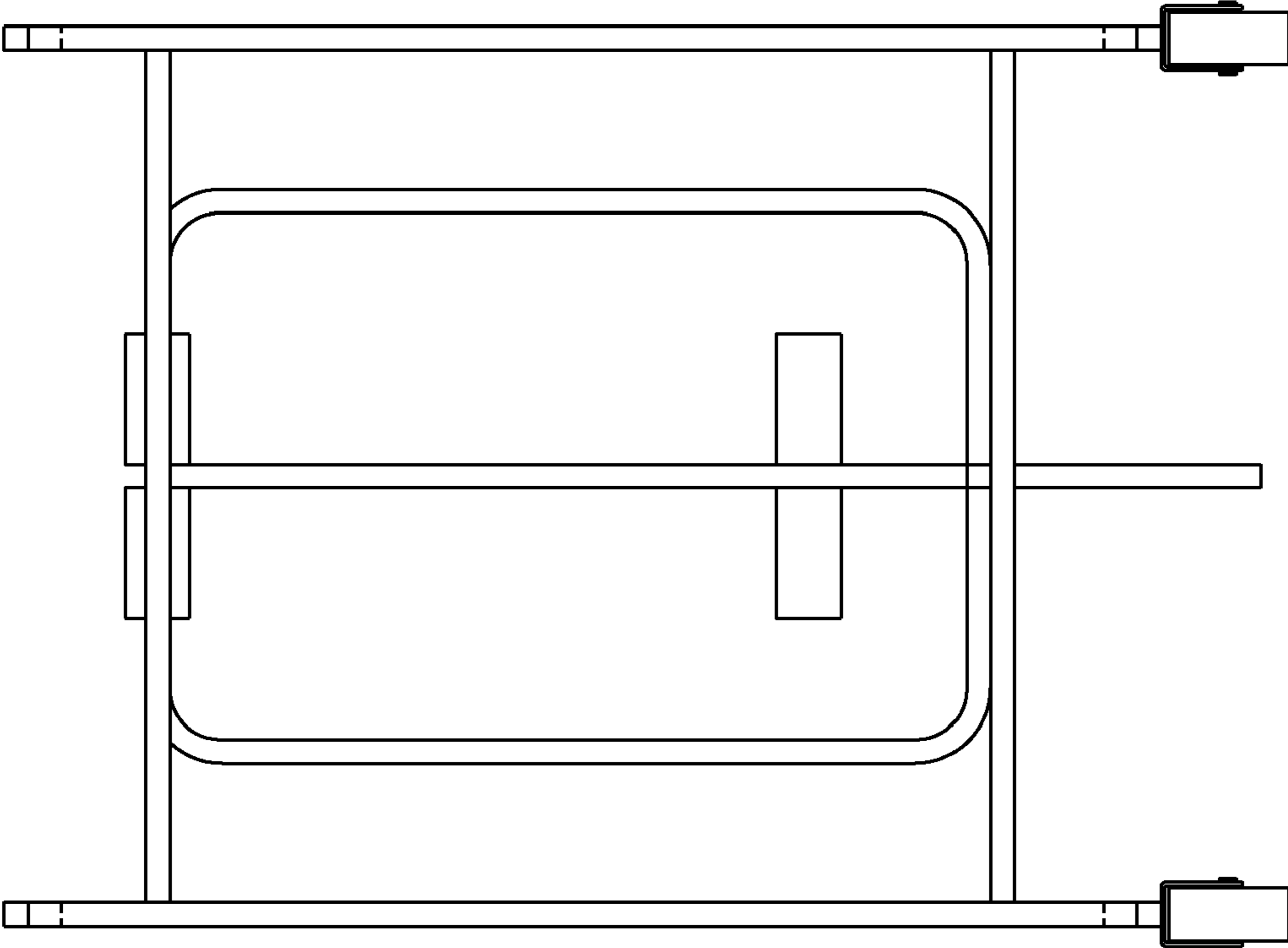


FIG. 8



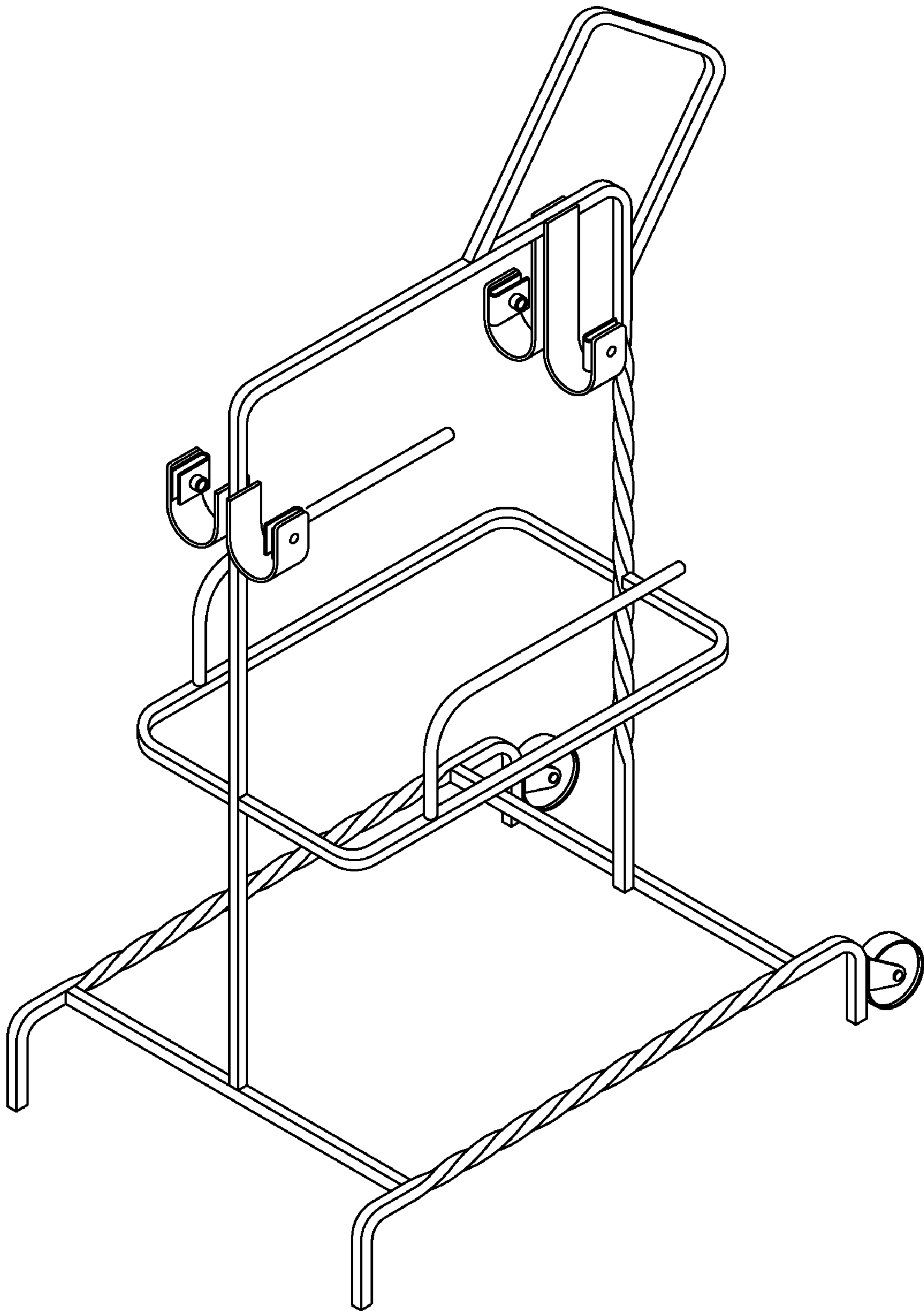


FIG. 9