



US00D607662S

(12) **United States Design Patent**
Ellison

(10) **Patent No.:** **US D607,662 S**

(45) **Date of Patent:** **** Jan. 12, 2010**

(54) **HAMMOCK LINER**

2009/0113629 A1* 5/2009 Tucker 5/485

(76) Inventor: **Janette Ellison**, 7 B Pembroke Cir.,
Wappingers Falls, NY (US) 12590

* cited by examiner

Primary Examiner—Janice E Seeger

(74) *Attorney, Agent, or Firm*—QuickPatents, Inc.; Kevin Prince

(**) Term: **14 Years**

(21) Appl. No.: **29/329,446**

(57) **CLAIM**

(22) Filed: **Dec. 15, 2008**

I claim the ornamental design for a hammock liner, as shown and described.

(51) **LOC (9) Cl.** **06-02**

(52) **U.S. Cl.** **D6/387**

(58) **Field of Classification Search** D6/386,
D6/387, 602, 603; 5/98.3, 120–123, 127,
5/128, 503.1, 485

DESCRIPTION

See application file for complete search history.

FIG. 1 is a perspective view of a hammock liner, showing my new design;

FIG. 2 is a top plan view of the invention;

FIG. 3 is a bottom plan view of the invention;

FIG. 4 is a left-side elevational view of the invention, the right-side elevational view being a mirror image thereof; and,

FIG. 5 is a front elevational view of the invention, the rear elevational view being a mirror image thereof.

(56) **References Cited**

U.S. PATENT DOCUMENTS

- 667,228 A * 2/1901 Kndernschild 5/122
- 773,317 A * 10/1904 Funke 5/122
- 1,391,650 A * 9/1921 Truesdell et al. 4/551
- 2,569,596 A * 10/1951 Anderegg 5/127
- D587,055 S * 2/2009 Tucker D6/596

The broken lines showing a hammock in FIG. 1 are included for the purpose of illustrating the invention in use, and form no part of the claimed design.

1 Claim, 4 Drawing Sheets

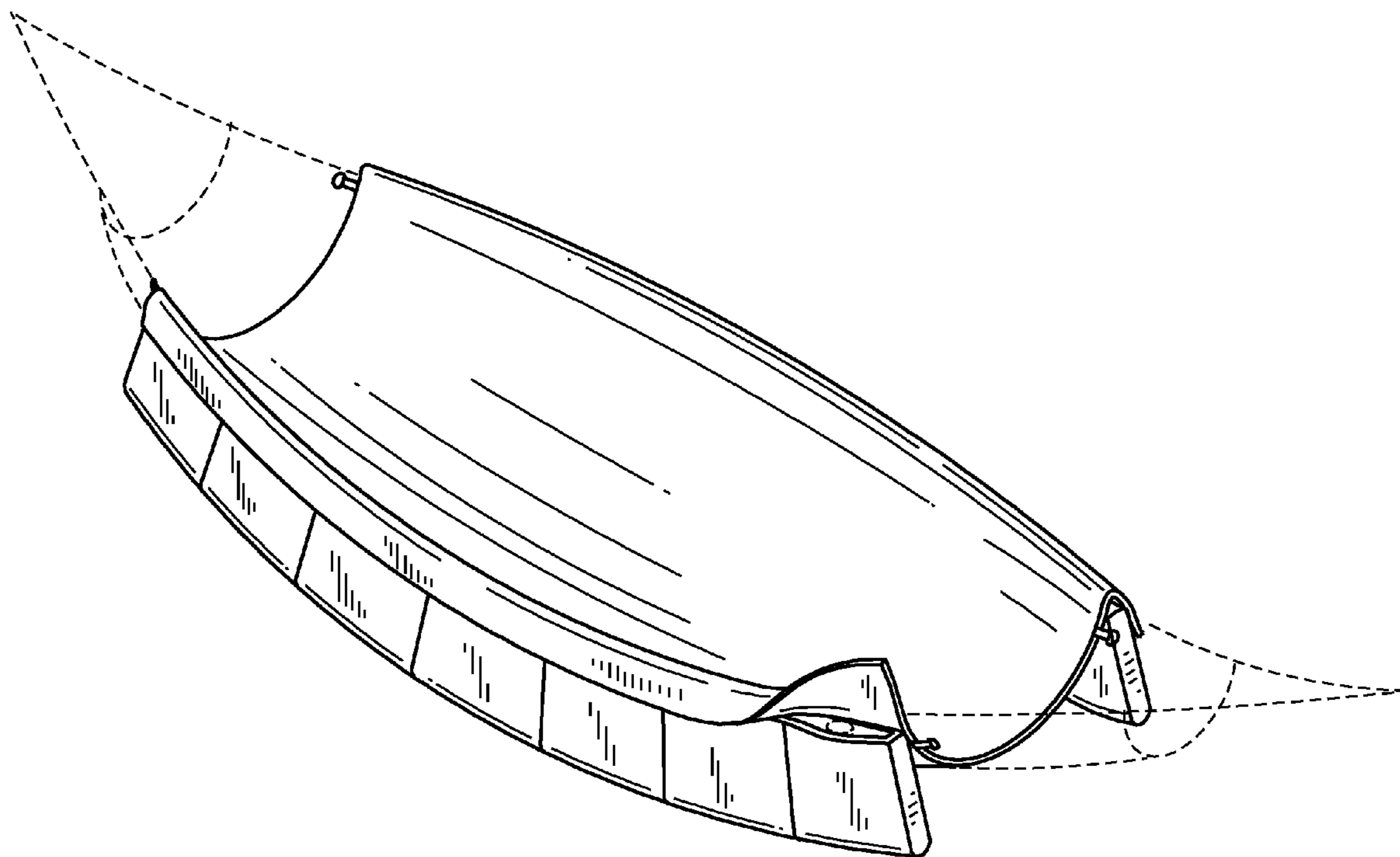


FIG. 1

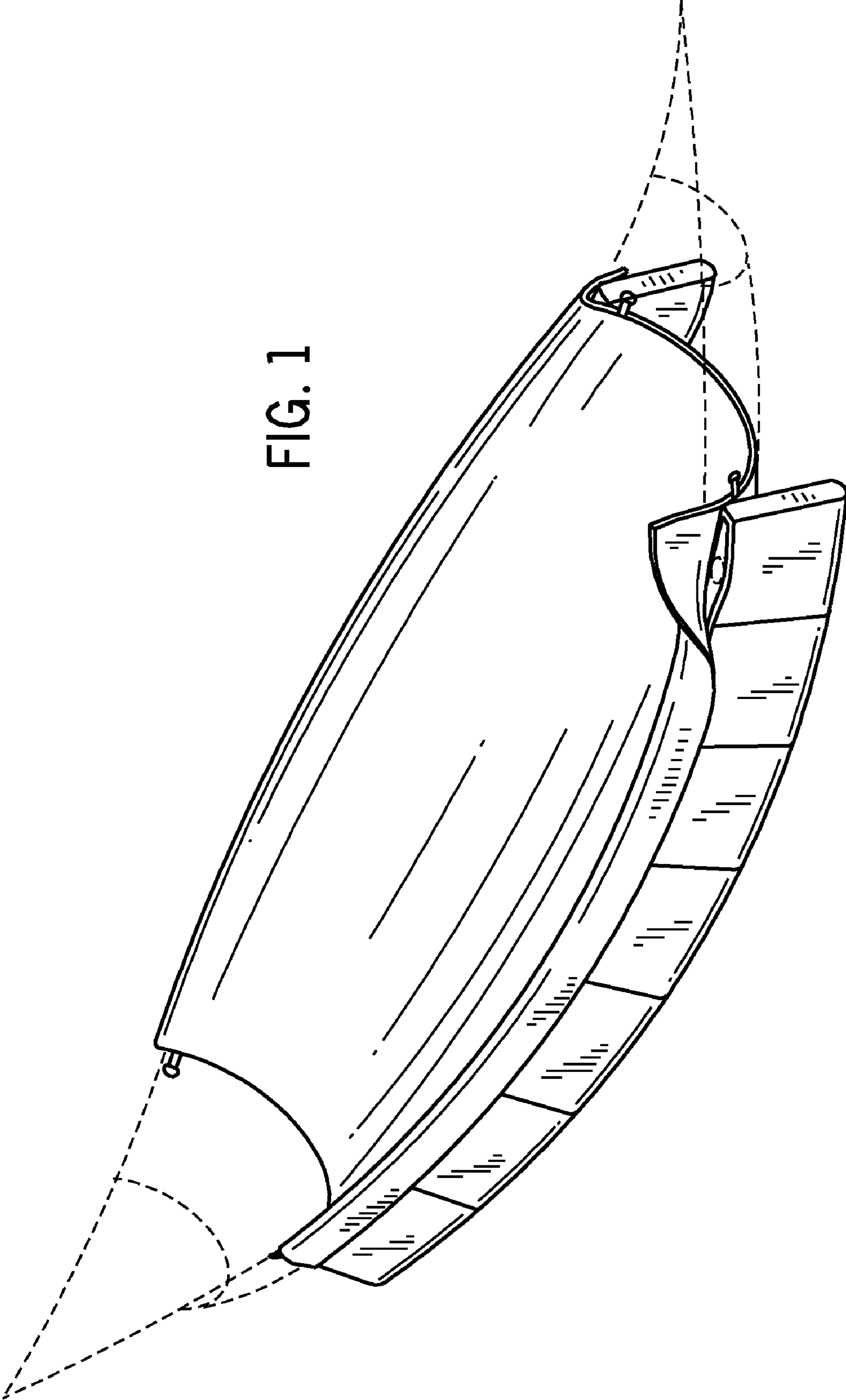


FIG. 2

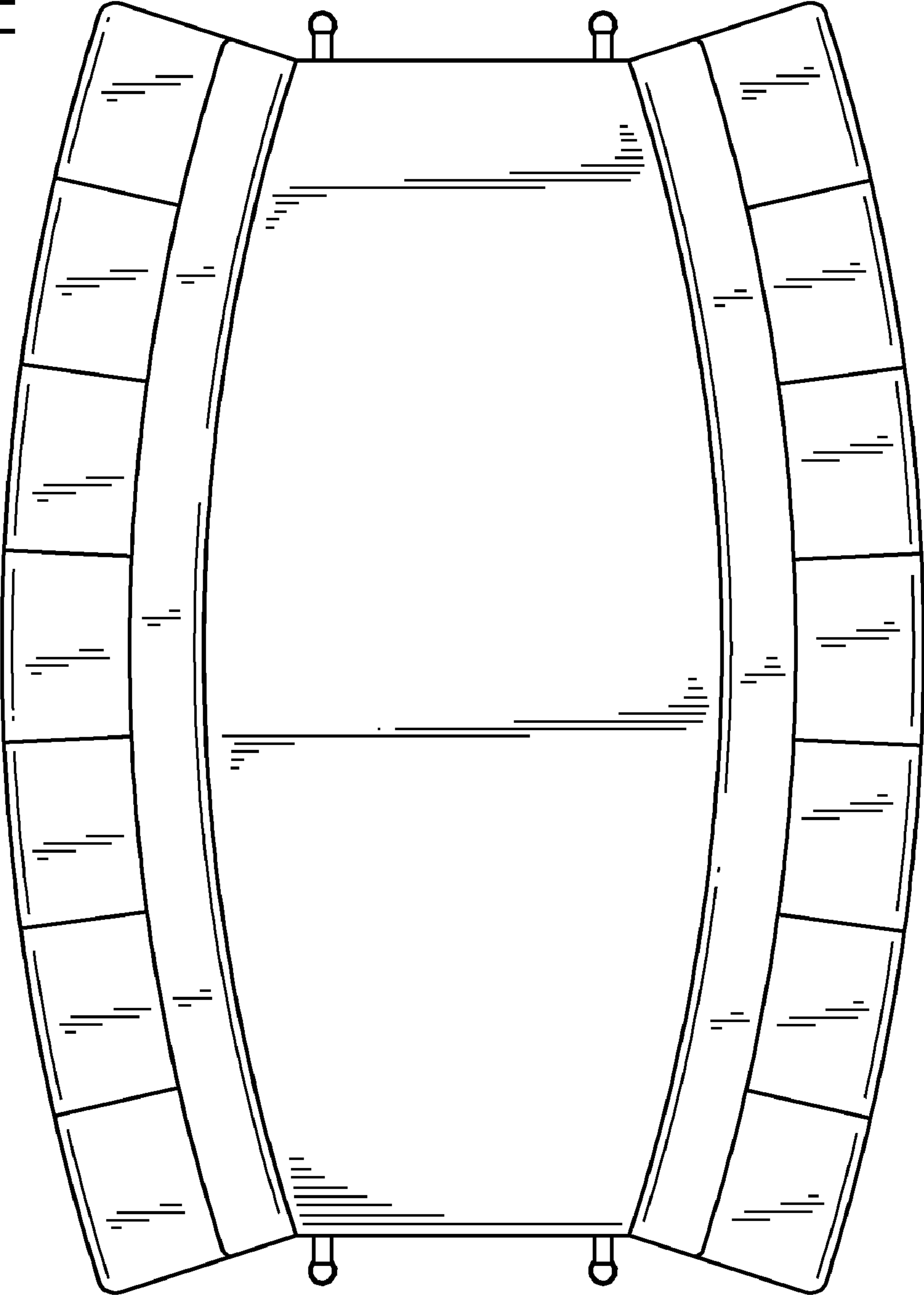
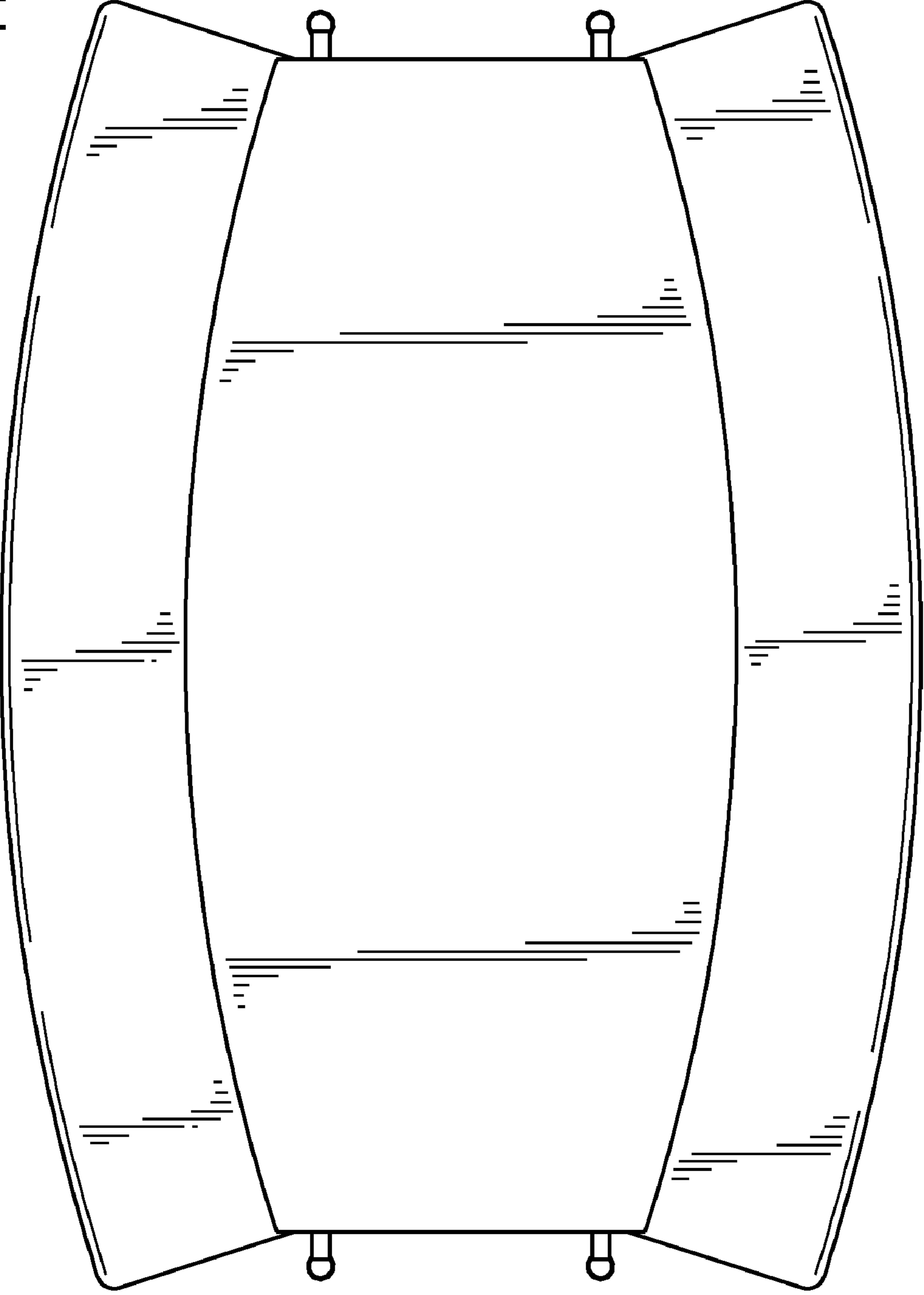


FIG. 3



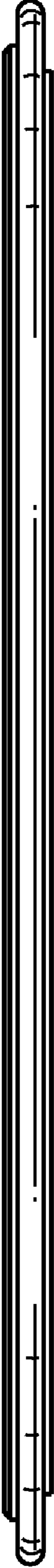


FIG. 4



FIG. 5