



US00D607653S

(12) **United States Design Patent**
Wilkinson et al.

(10) **Patent No.:** **US D607,653 S**
(45) **Date of Patent:** **** Jan. 12, 2010**

(54) **CHAIR BACKREST SUPPORT**

(75) Inventors: **Simon Wilkinson**, Leiderdorp (NL);
Rogier Kappelhoff, Amsterdam (NL);
Bryony Gaschy, Bischheim (FR)

(73) Assignee: **Steelcase SA**, Schiltgheim (FR)

(**) Term: **14 Years**

(21) Appl. No.: **29/339,688**

(22) Filed: **Jul. 6, 2009**

Related U.S. Application Data

(62) Division of application No. 29/297,556, filed on Nov. 14, 2007, now Pat. No. Des. 597,349.

(51) **LOC (9) Cl.** **06-01**

(52) **U.S. Cl.** **D6/366**

(58) **Field of Classification Search** D6/334–336,
D6/360–369, 374, 379–380, 498, 500–502;
297/284.4, 411.27, 452.13, 452.19, 452.21,
297/452.29, 452.3, 452.56, 452.64

See application file for complete search history.

(56) **References Cited**

U.S. PATENT DOCUMENTS

D477,469 S *	7/2003	Brooks	D6/366
D505,798 S *	6/2005	Seiler	D6/366
D517,820 S *	3/2006	Citterio	D6/366
D535,112 S *	1/2007	Bernett et al.	D6/366
D535,830 S *	1/2007	Bernett et al.	D6/366
D540,578 S	4/2007	Chen		
D543,038 S *	5/2007	Benden et al.	D6/366
D545,076 S	6/2007	Dallmann et al.		
D547,978 S	8/2007	Machael et al.		
D548,992 S	8/2007	Koepke et al.		
D550,467 S	9/2007	Koepke et al.		
D558,994 S	1/2008	Machael et al.		

D559,573 S *	1/2008	Igarashi	D6/366
D559,574 S *	1/2008	Igarashi	D6/366
D563,687 S *	3/2008	Neil	D6/366
D571,568 S *	6/2008	Overthun et al.	D6/366
D572,948 S	7/2008	Wakasugi et al.		
D573,817 S	7/2008	Su		
D576,814 S *	9/2008	Baldanzi et al.	D6/366
D580,199 S	11/2008	Su		
D585,205 S	1/2009	Wen		
D597,349 S *	8/2009	Wilkinson et al.	D6/502
2002/0036420 A1 *	3/2002	Footitt	297/284.4

* cited by examiner

Primary Examiner—Caron Veynar

Assistant Examiner—Ricky Pham

(74) *Attorney, Agent, or Firm*—Price, Heneveld, Cooper, DeWitt & Litton, LLP

(57) **CLAIM**

The ornamental design for a chair backrest support, as shown and described.

DESCRIPTION

FIG. 1 is a perspective view showing a front, top and right side of the chair backrest support;

FIG. 2 is a perspective view showing a back, top and left side of the chair backrest support;

FIG. 3 is an elevational view of the right side of the chair backrest support;

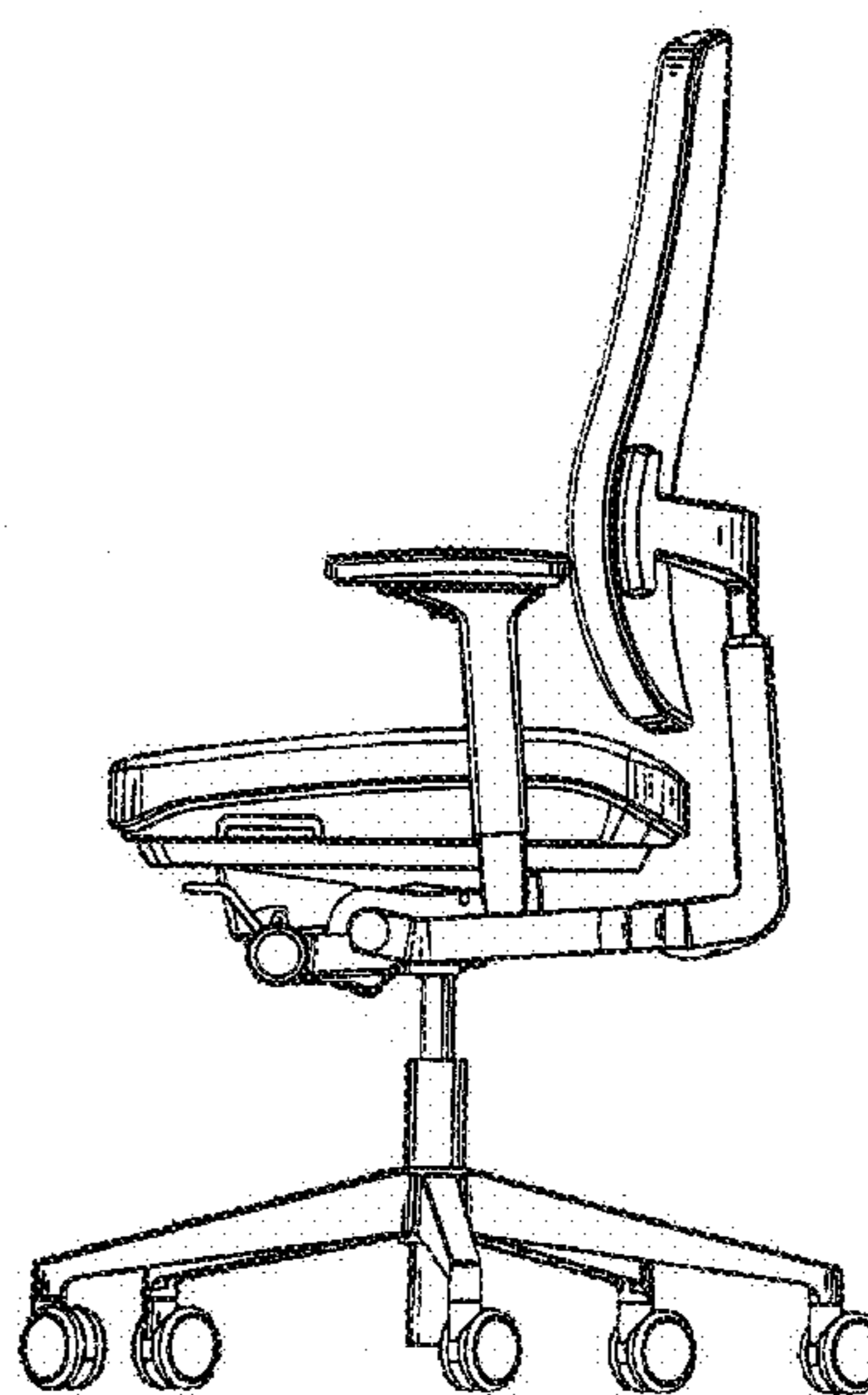
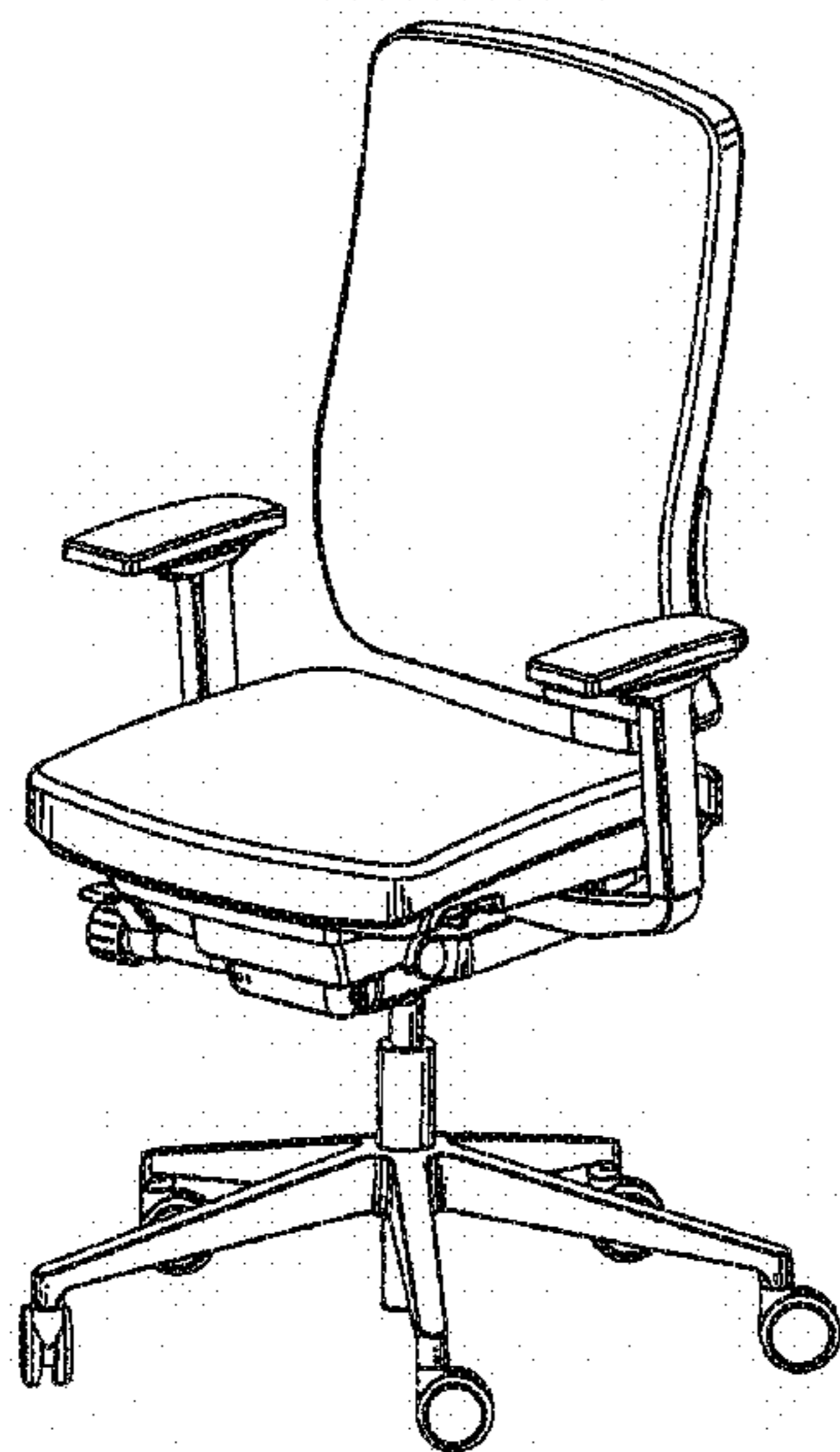
FIG. 4 is an elevational view of the left side of the chair backrest support;

FIG. 5 is a front elevational view of the chair backrest support;

FIG. 6 is a rear elevational view of the chair backrest support; and,

FIG. 7 is a top plan view of the chair backrest support.

1 Claim, 7 Drawing Sheets



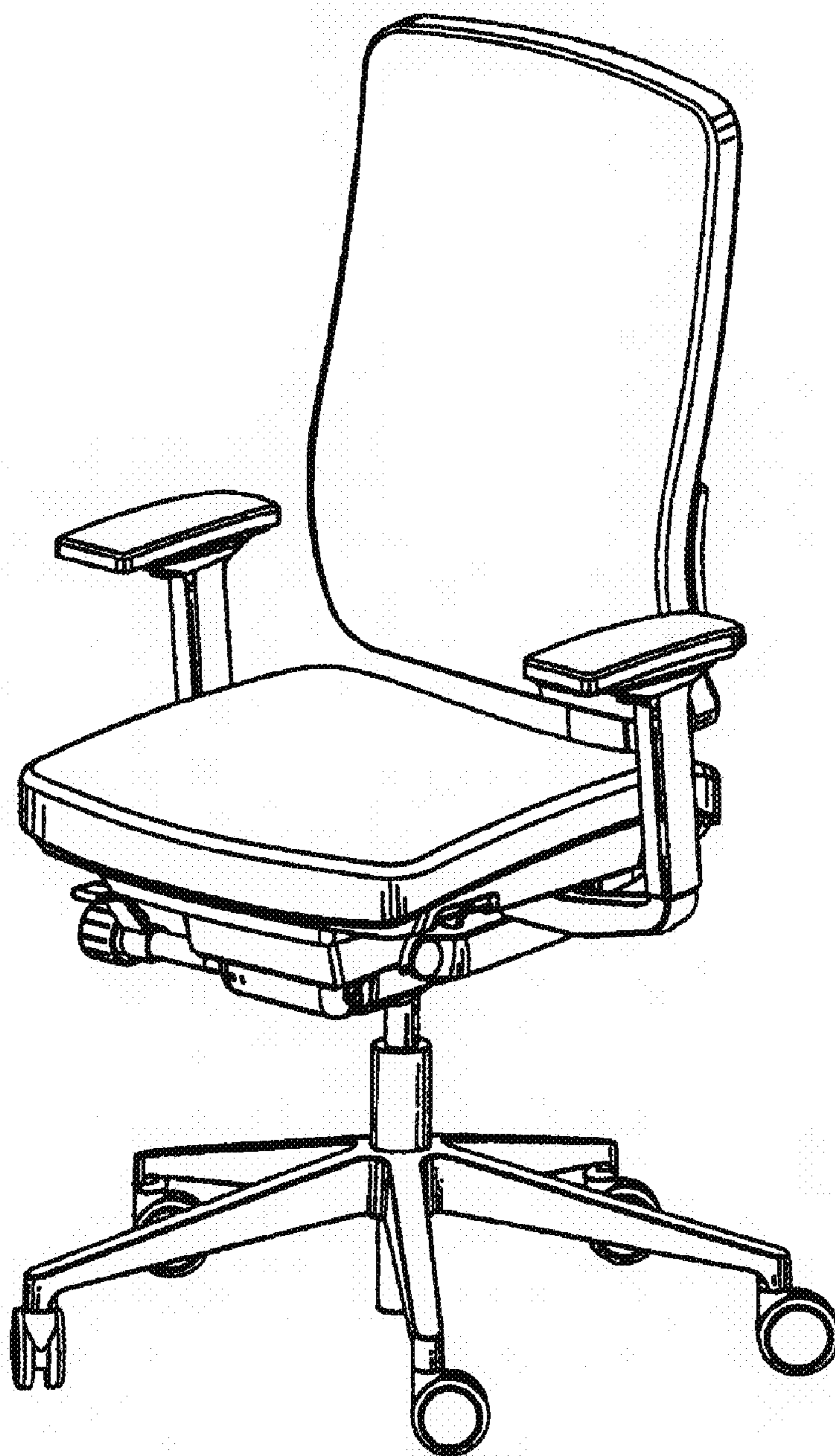


FIG. 1



FIG. 2

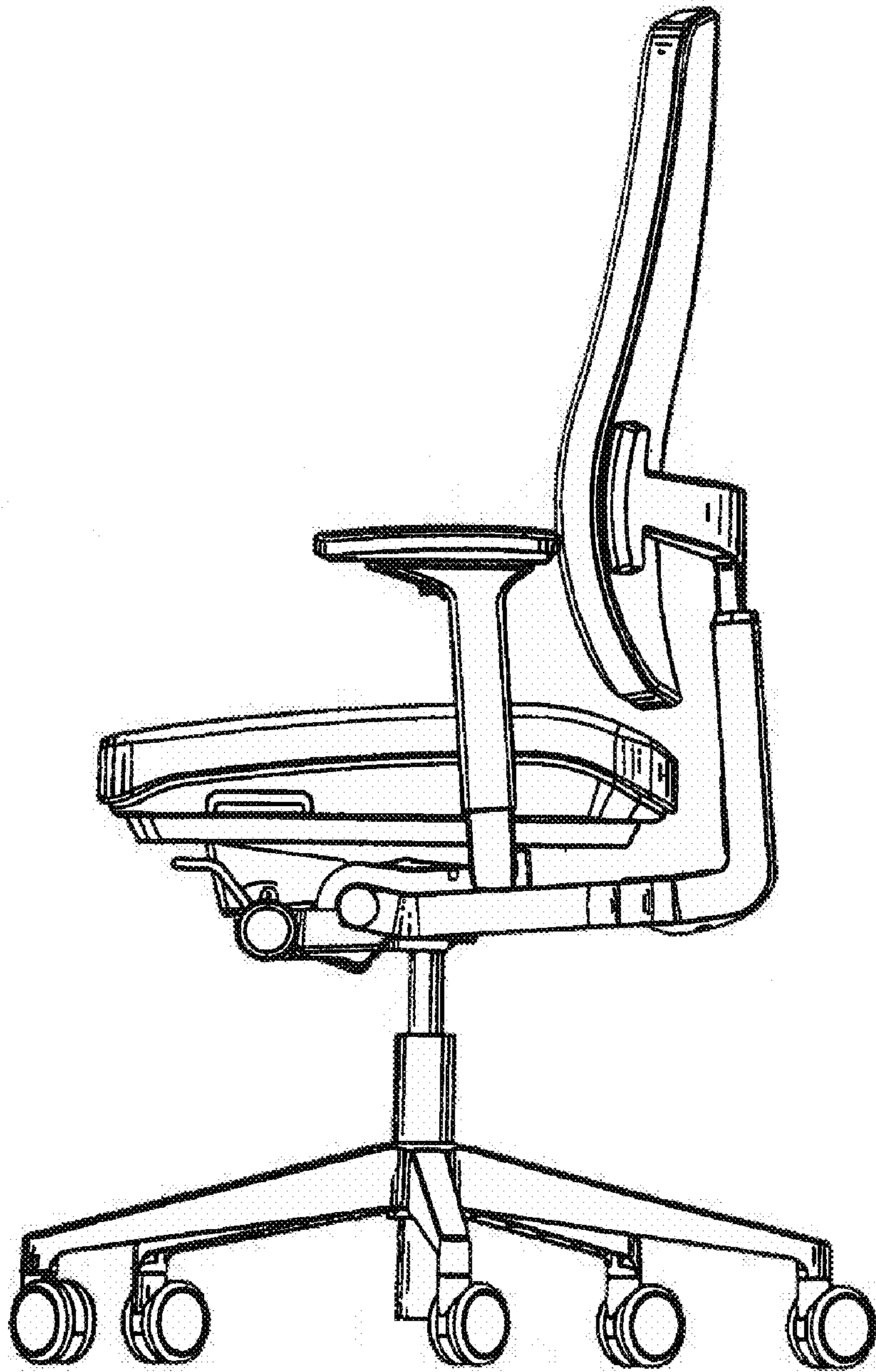


FIG. 3

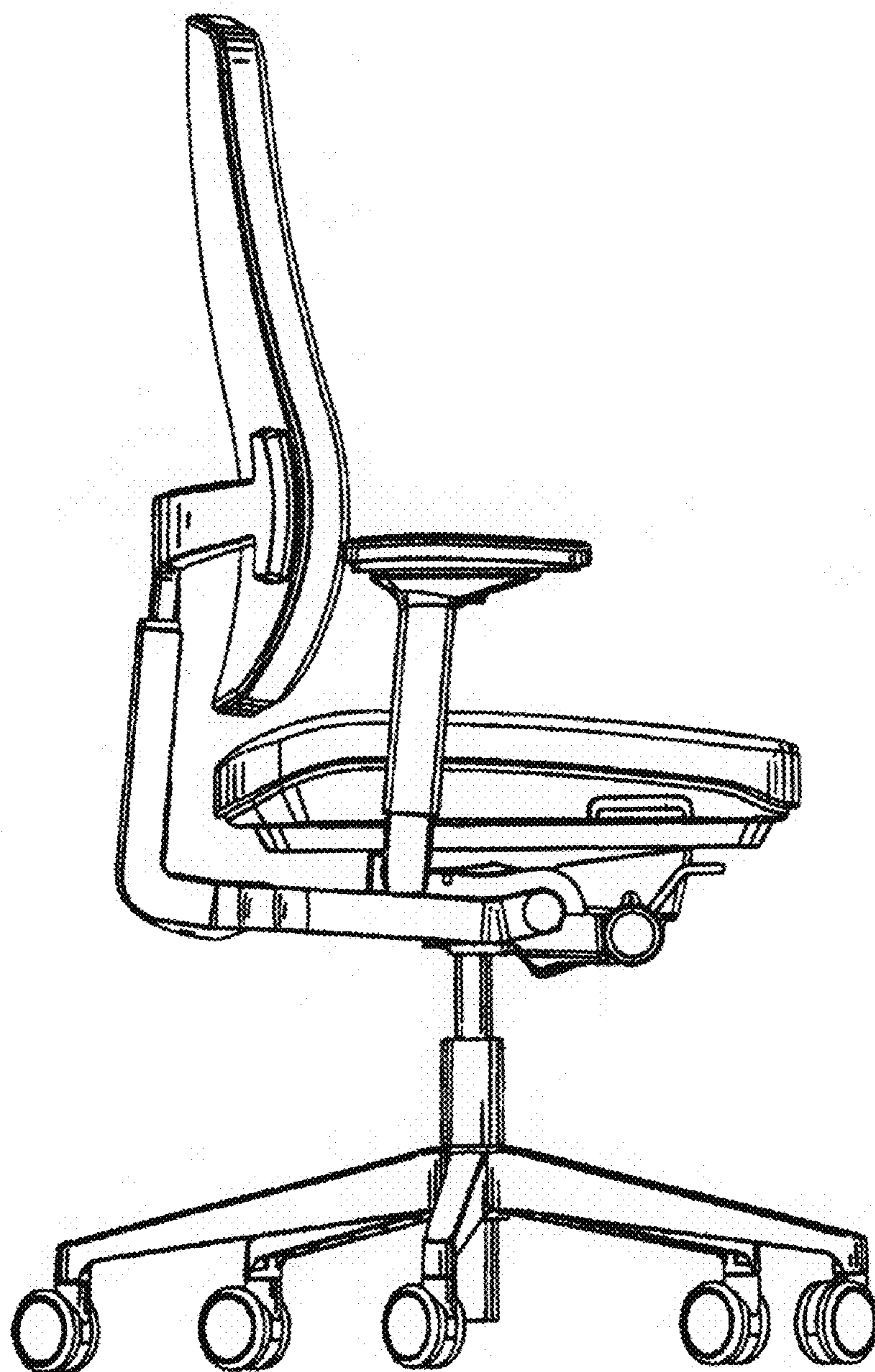


FIG. 4

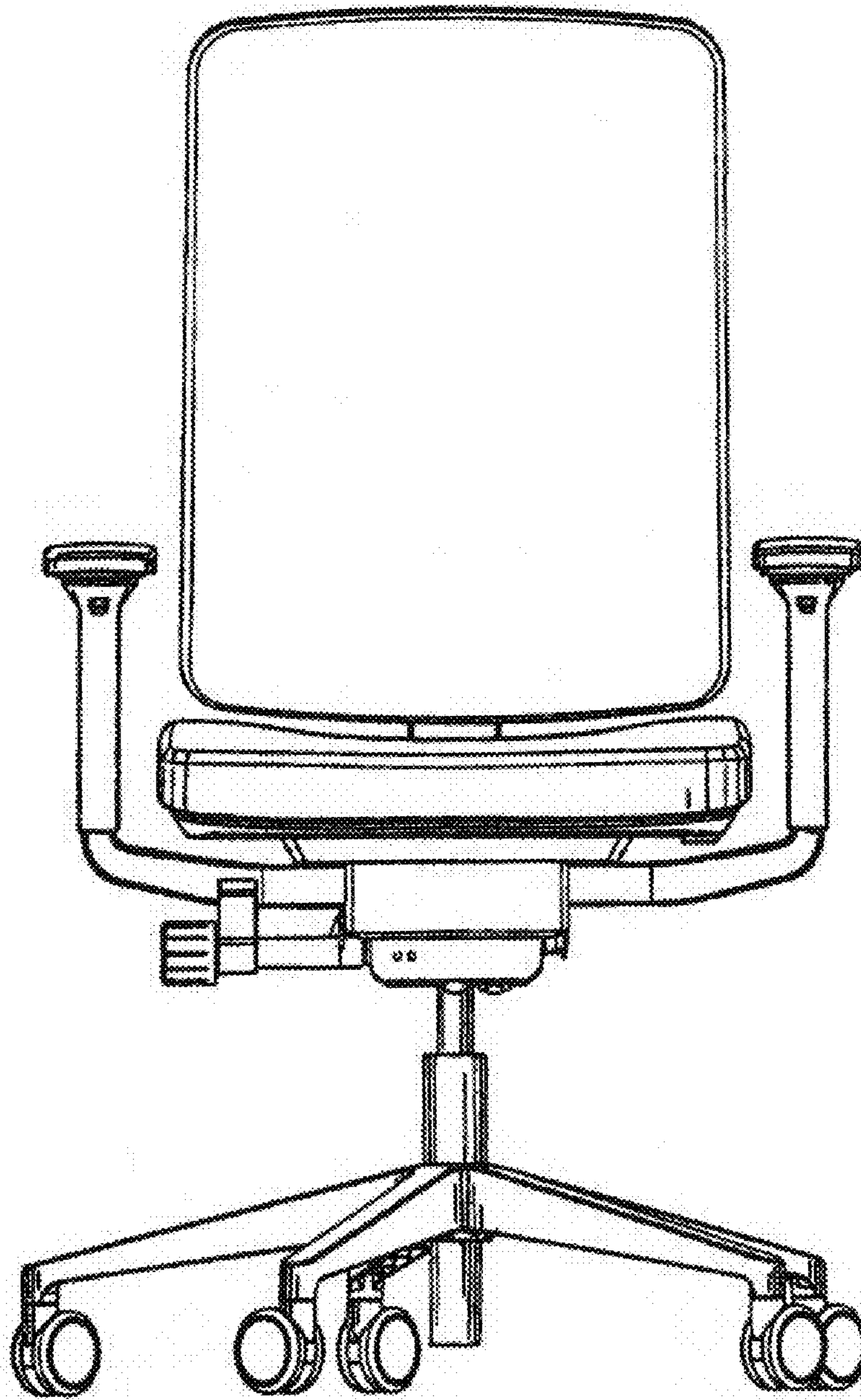


FIG. 5

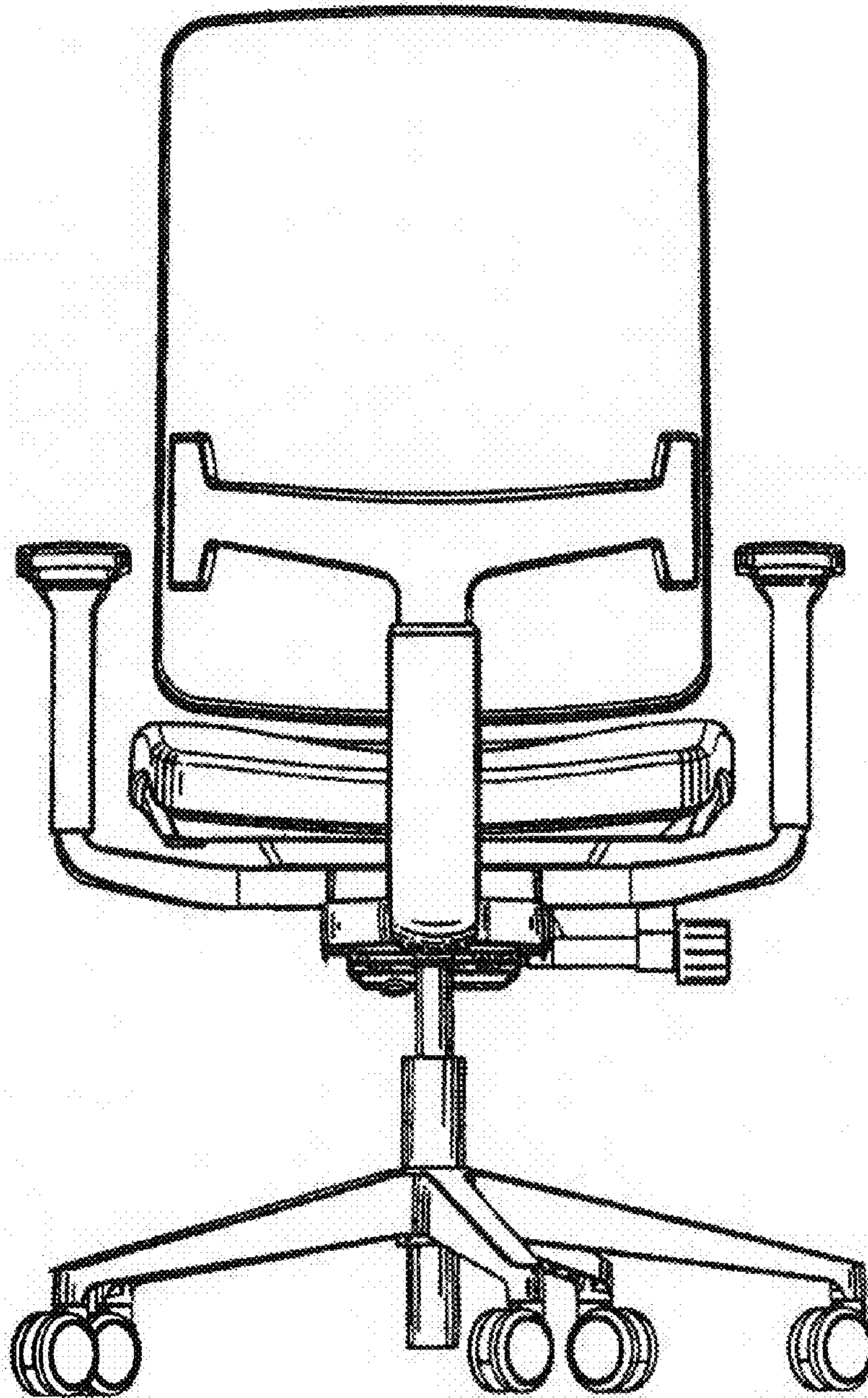


FIG. 6

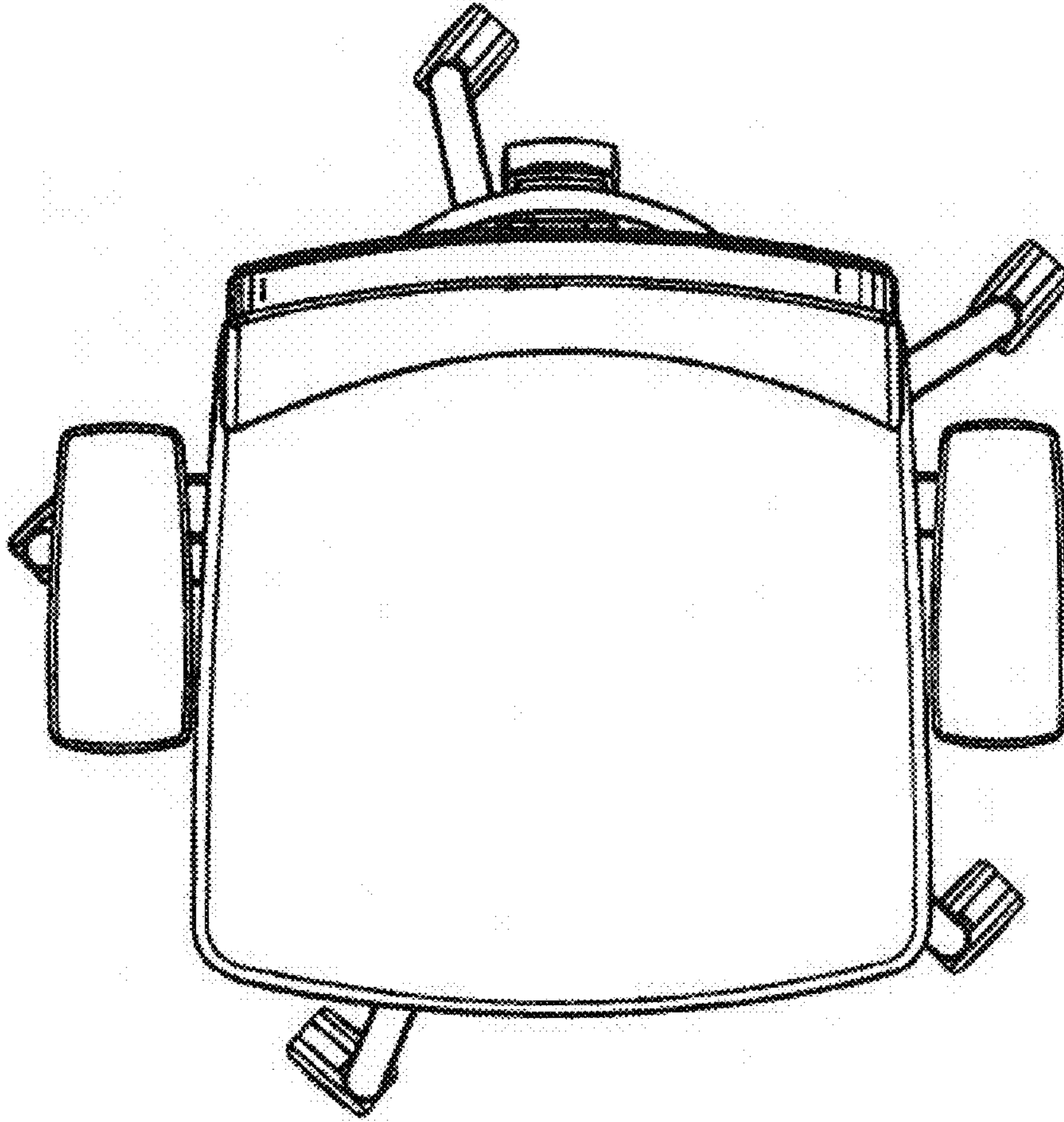


FIG. 7