



US00D607650S

(12) **United States Design Patent**
Krumpe

(10) **Patent No.:** **US D607,650 S**
(45) **Date of Patent:** **** Jan. 12, 2010**

(54) **ROBE HOOK**

D578,780 S * 10/2008 Lee D6/323
D580,185 S * 11/2008 Lee D6/323
D580,186 S * 11/2008 Krumpe et al. D6/323

(75) Inventor: **Geraint Krumpe**, Chicago, IL (US)

(73) Assignee: **Liberty Hardware Mfg. Corp.**,
Winston-Salem, NC (US)

* cited by examiner

Primary Examiner—Stella M Reid

Assistant Examiner—Shanda C Hill

(**) Term: **14 Years**

(74) *Attorney, Agent, or Firm*—Edgar A. Zarins; Nirav D. Parikh

(21) Appl. No.: **29/330,866**

(22) Filed: **Jan. 15, 2009**

(57) **CLAIM**

(51) **LOC (9) Cl.** **06-08**

The ornamental design for a robe hook, as shown and described.

(52) **U.S. Cl.** **D6/323**

(58) **Field of Classification Search** D6/315,
D6/320, 323, 324, 327, 328; D8/300, 349,
D8/367, 371; 211/1, 13.1, 85.3, 181.1, 183;
223/85–98

DESCRIPTION

See application file for complete search history.

FIG. 1 is a perspective view of a robe hook showing my new design;

FIG. 2 is a front elevational view thereof;

FIG. 3 is a right side view thereof, the opposite side being a mirror image of the side shown;

FIG. 4 is a top plan view thereof; and,

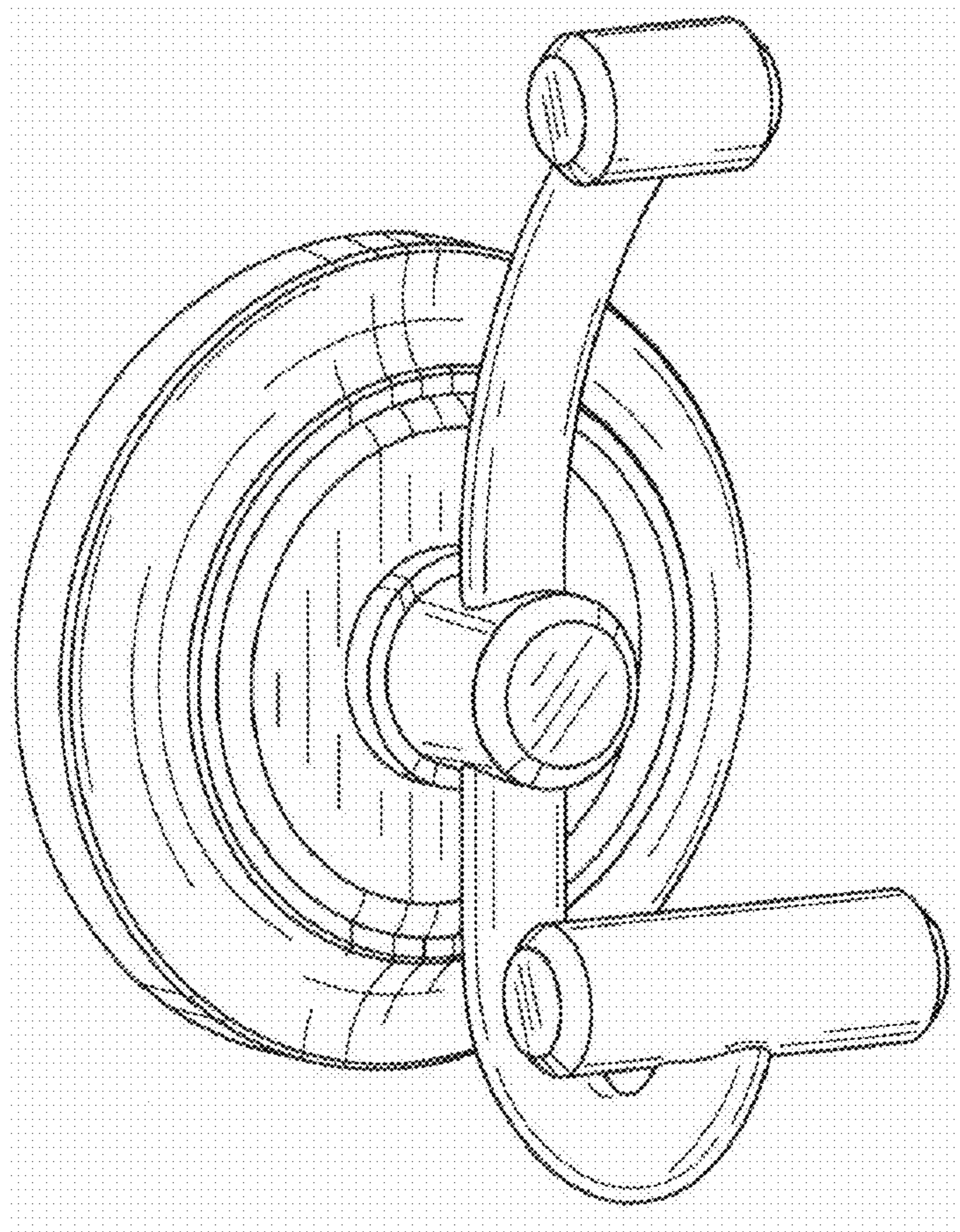
FIG. 5 is a bottom plan view thereof.

(56) **References Cited**

U.S. PATENT DOCUMENTS

D267,137 S * 12/1982 Mayer D8/367
D526,132 S * 8/2006 Solowiej D6/323
D535,110 S * 1/2007 Hoernig D6/323
D568,621 S * 5/2008 Krumpe et al. D6/323

1 Claim, 2 Drawing Sheets



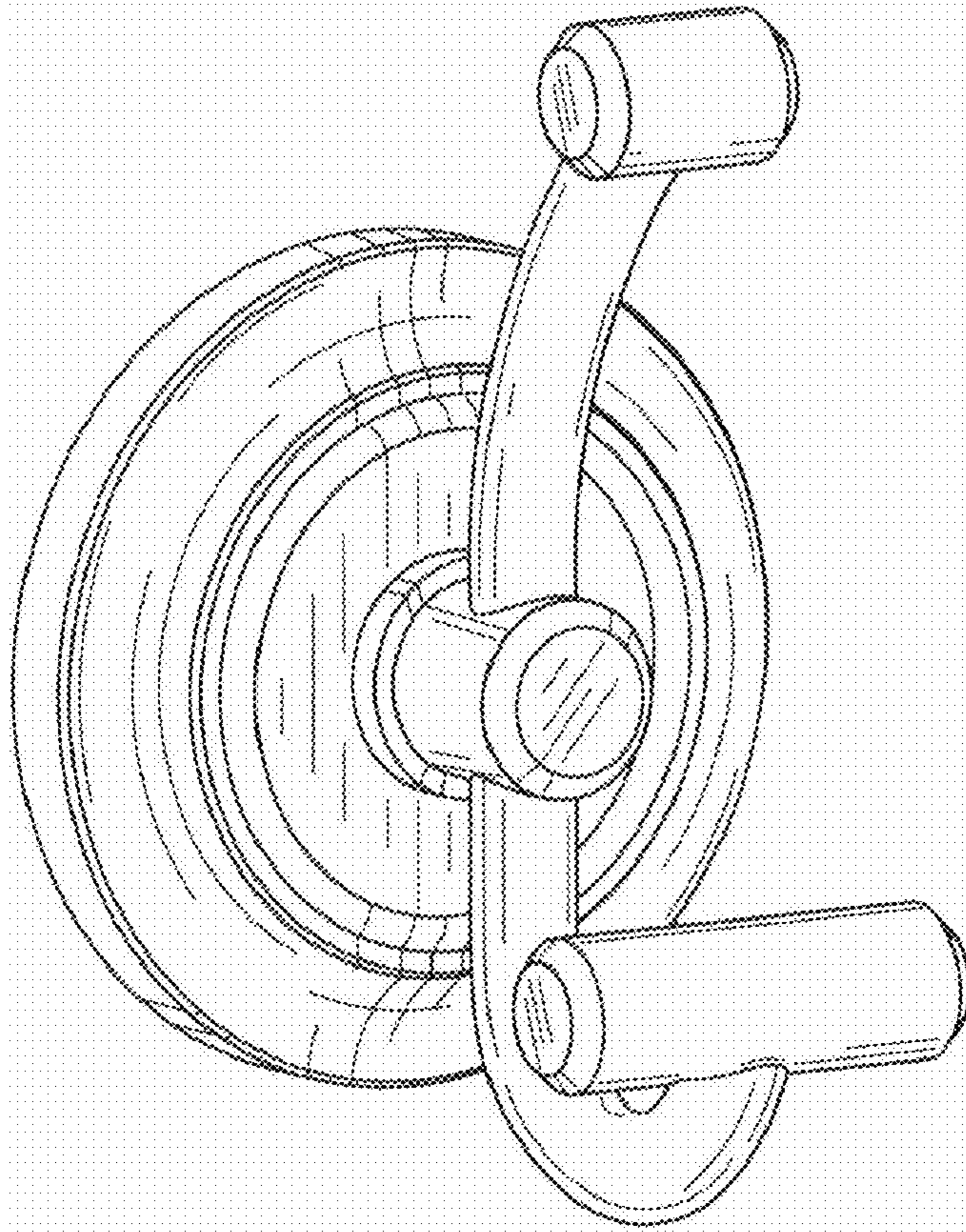


Fig-1

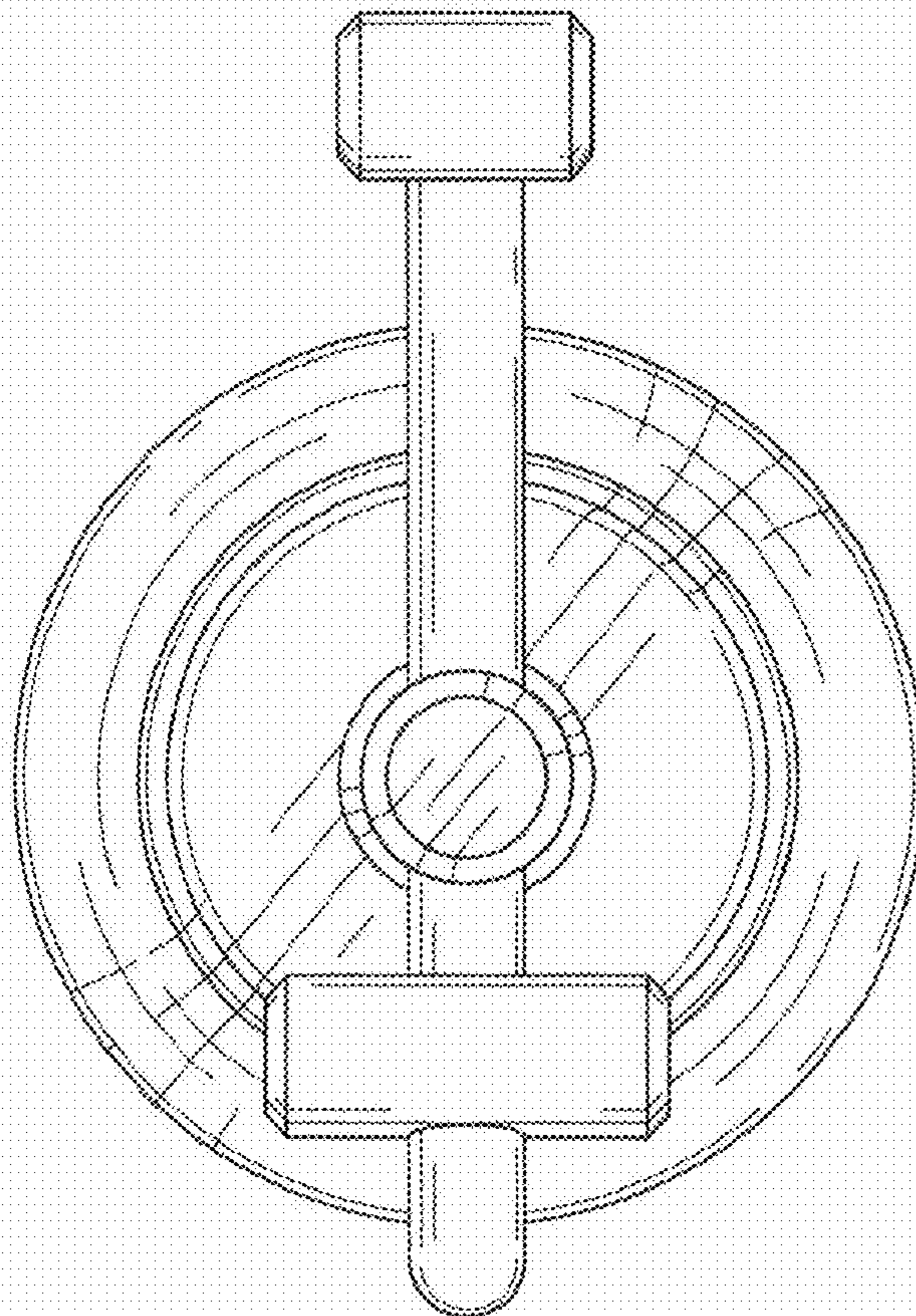


Fig-2

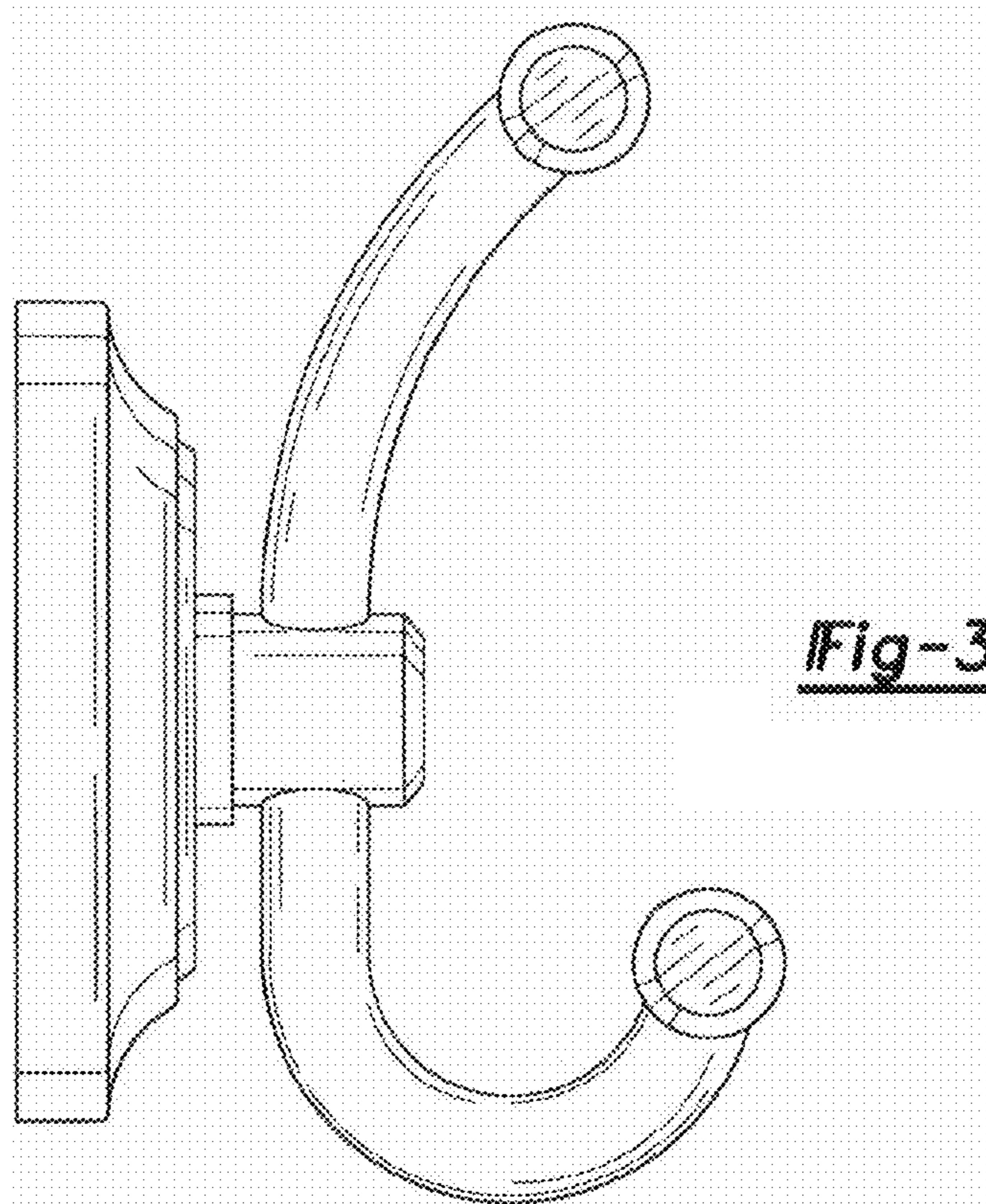


Fig-3

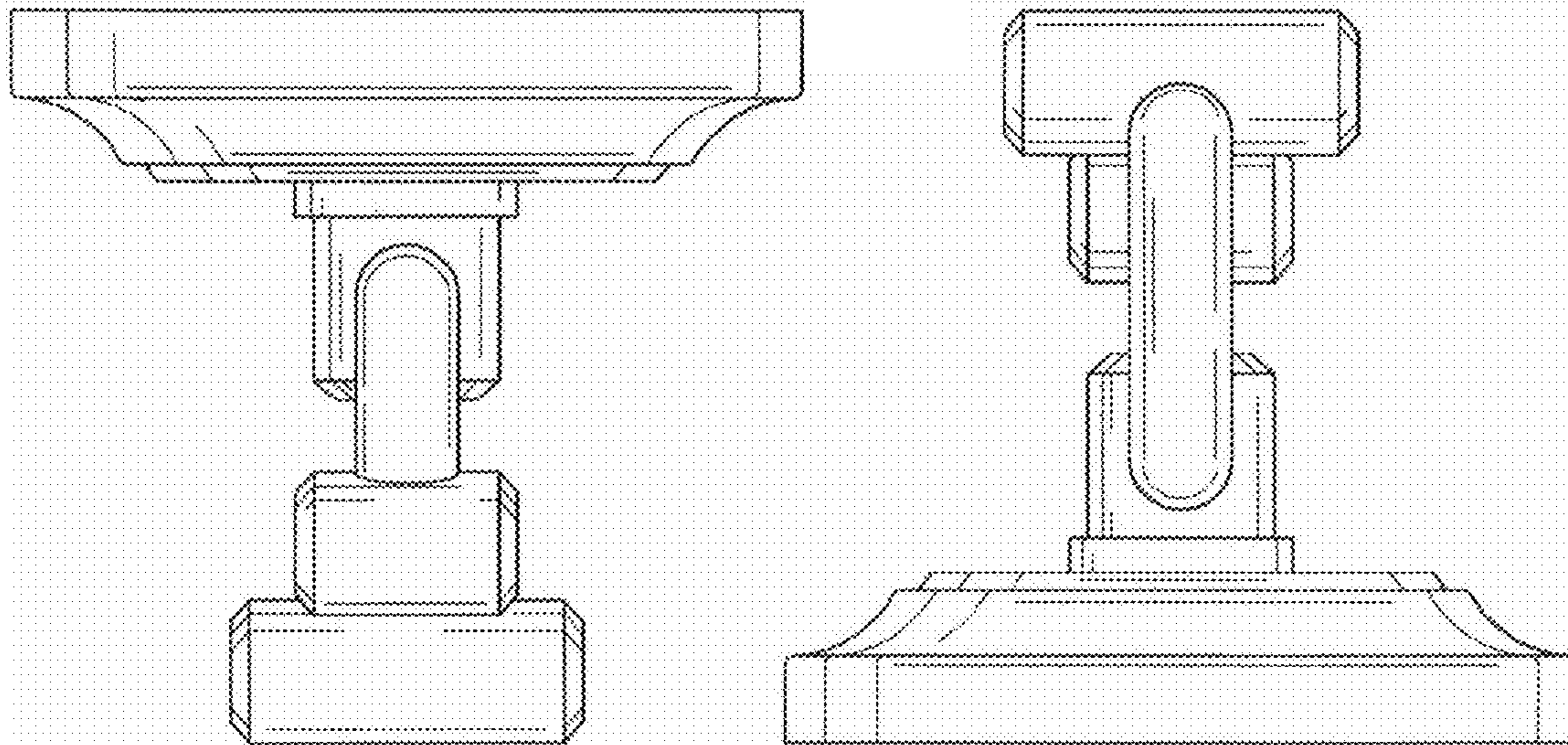


Fig-4

Fig-5