



US00D607649S

(12) **United States Design Patent**
Koury

(10) **Patent No.:** **US D607,649 S**

(45) **Date of Patent:** **** Jan. 12, 2010**

(54) **ROBE HOOK**

D573,449 S * 7/2008 Goodman et al. D8/371
D589,331 S * 3/2009 Zhang D8/367

(75) Inventor: **Steffen F. Koury**, Everett, MA (US)

* cited by examiner

(73) Assignee: **Liberty Hardware Mfg. Corp.**,
Winston-Salem, NC (US)

Primary Examiner—Stella M Reid

Assistant Examiner—Shanda C Hill

(**) Term: **14 Years**

(74) *Attorney, Agent, or Firm*—Edgar A. Zarins; Nirav D. Parikh

(21) Appl. No.: **29/328,764**

(57) **CLAIM**

(22) Filed: **Dec. 2, 2008**

The ornamental design for a robe hook, as shown and described.

(51) **LOC (9) Cl.** **06-08**

(52) **U.S. Cl.** **D6/323**

(58) **Field of Classification Search** D6/315,
D6/320, 323, 324, 327, 328; D8/300, 349,
D8/367, 371; 211/1, 13.1, 85.3, 181.1, 183;
223/85–98

DESCRIPTION

See application file for complete search history.

FIG. 1 is a perspective view of a robe hook showing my new design;

FIG. 2 is a right side view thereof, the opposite side being a mirror image of the side shown;

FIG. 3 is a front elevational view thereof;

FIG. 4 is a top plan view thereof; and,

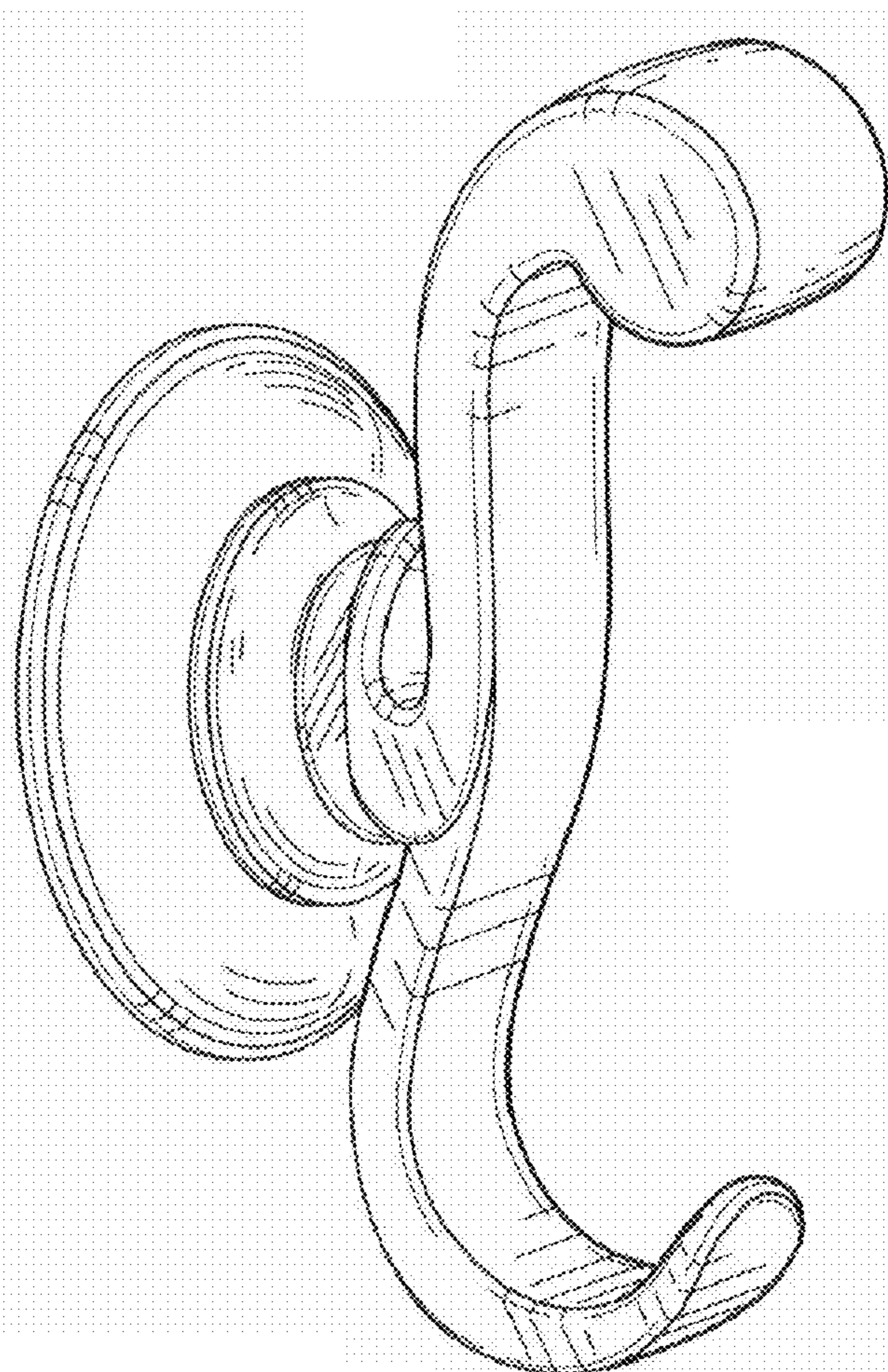
FIG. 5 is a bottom plan view thereof.

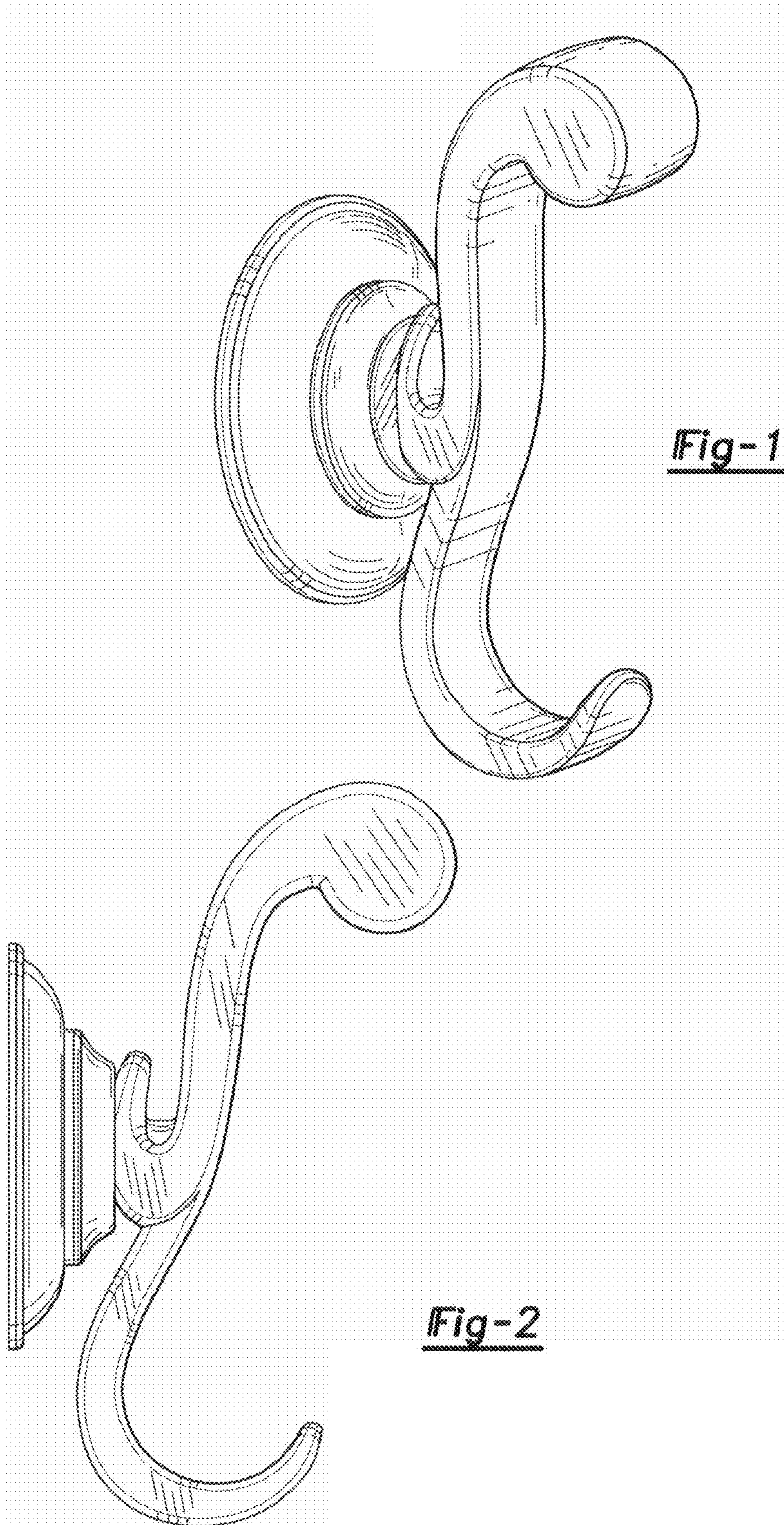
(56) **References Cited**

U.S. PATENT DOCUMENTS

D436,453 S * 1/2001 Gastelum et al. D6/323
D465,340 S * 11/2002 Hoernig D6/323
D564,243 S * 3/2008 Zhang D6/323

1 Claim, 2 Drawing Sheets





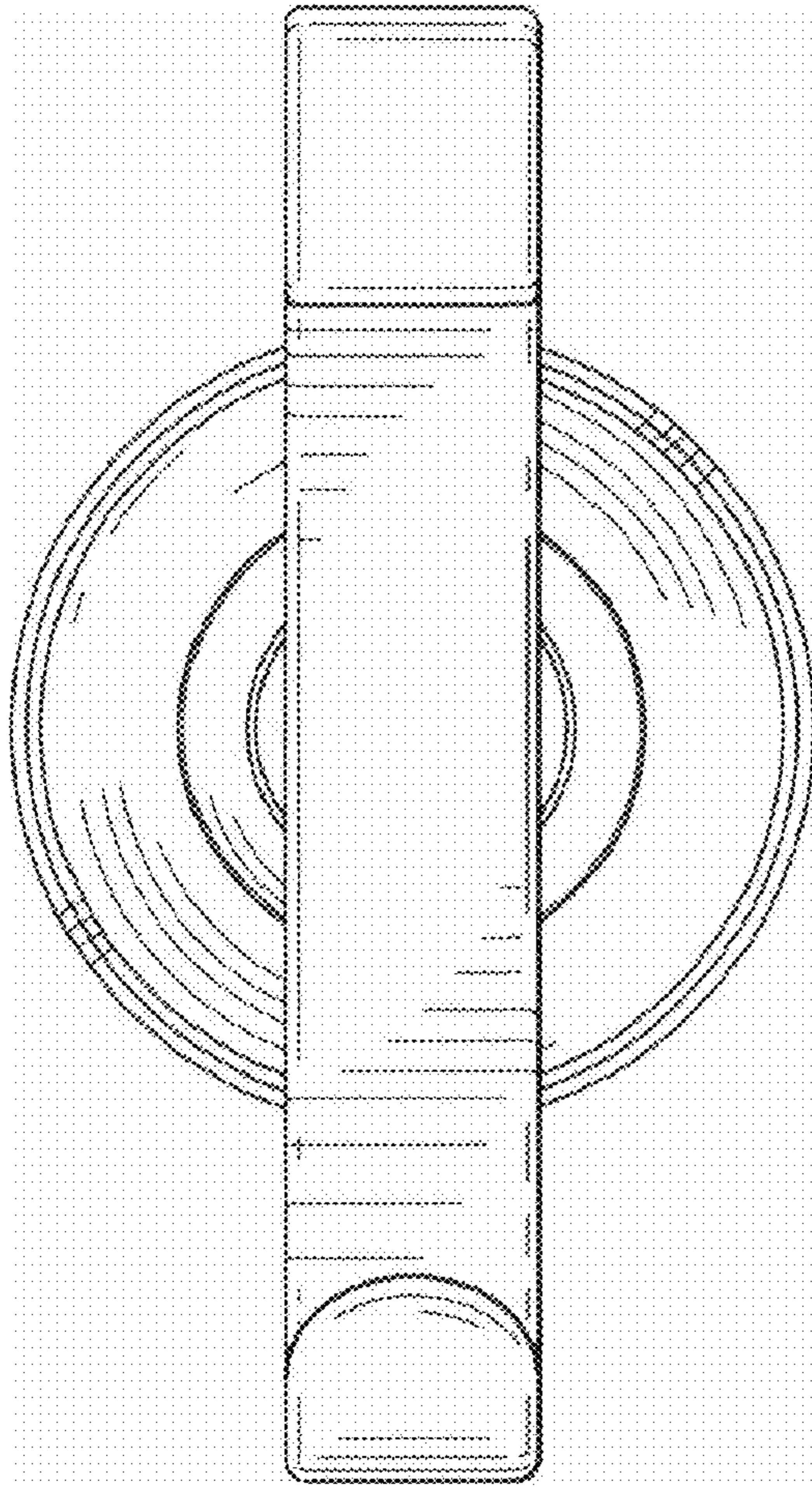


Fig-3

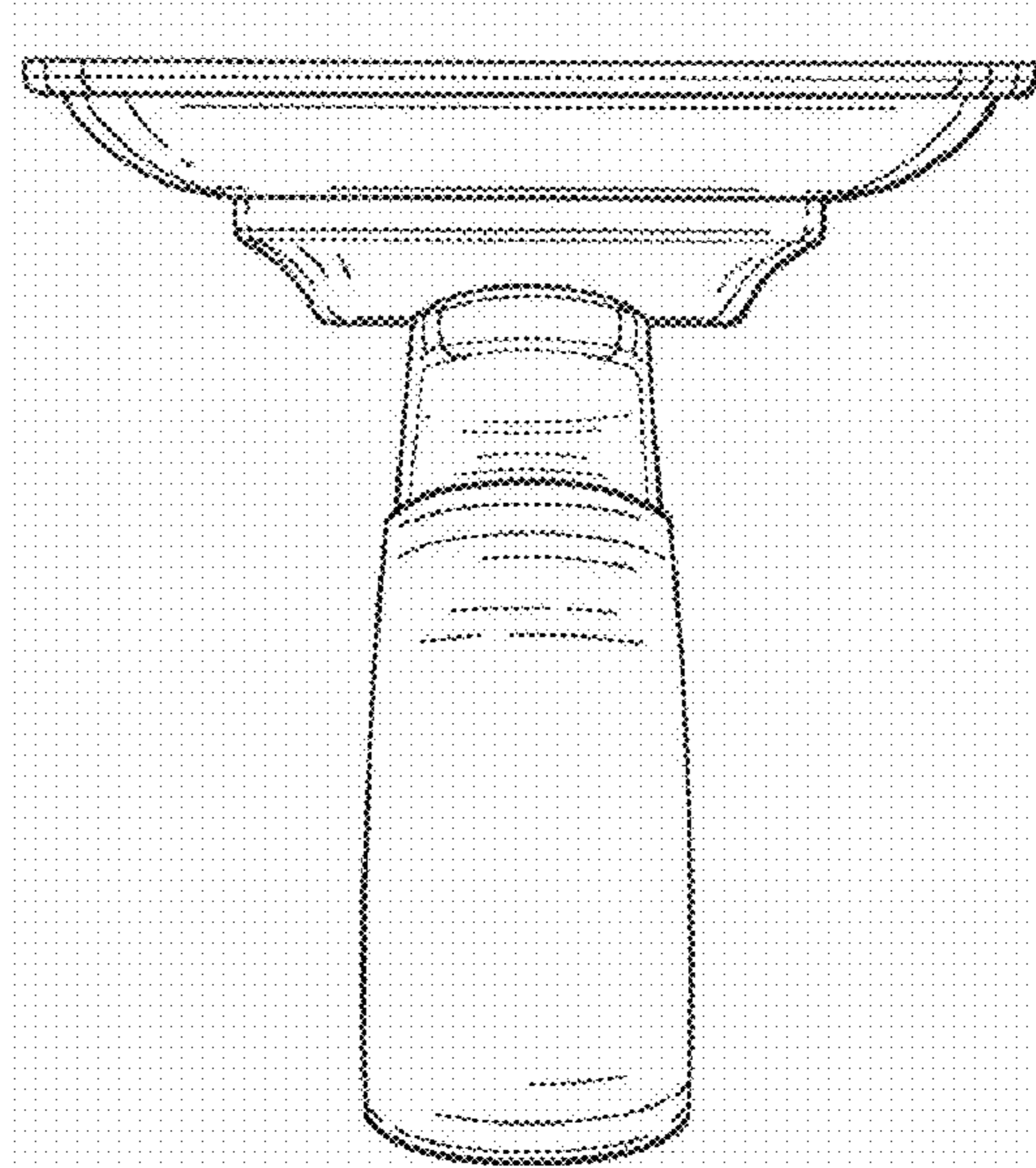


Fig-4

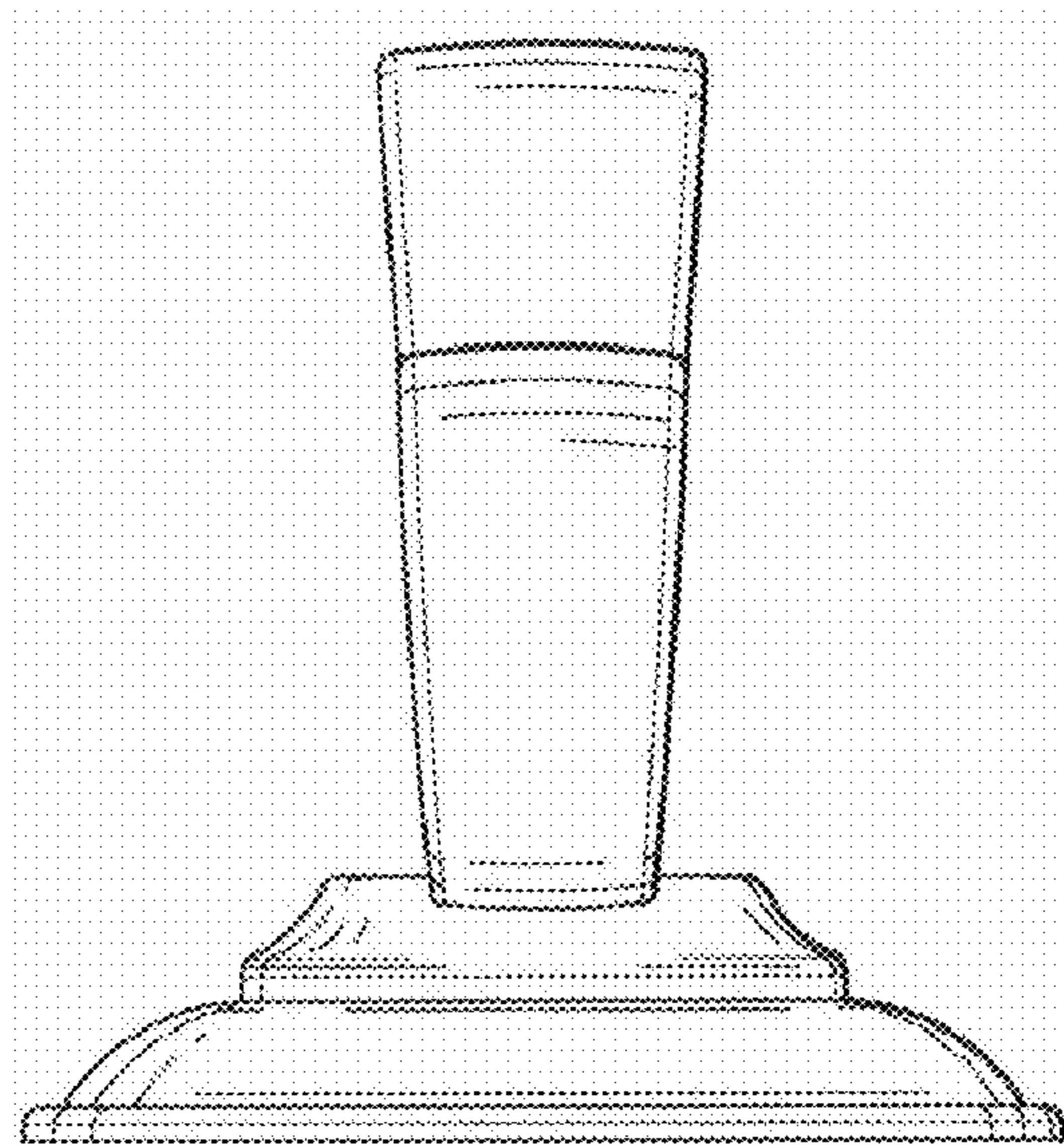


Fig-5