



US00D607645S

(12) **United States Design Patent**
Wu

(10) **Patent No.:** **US D607,645 S**
(45) **Date of Patent:** **** Jan. 12, 2010**

(54) **HANDLE FOR SUITCASE**

7,467,696 B2 * 12/2008 Wu 190/115

(76) Inventor: **Chen-Chuan Wu**, 1F, No. 9-3,
Wu-Chiuan One Rd., Hsin Chuang City,
Taipei Hsien (TW)

* cited by examiner

Primary Examiner—Holly H Baynham

Assistant Examiner—Sheryl Lane

(74) *Attorney, Agent, or Firm*—Ming Chow Sinorica, LLC

(**) Term: **14 Years**

(57) **CLAIM**

(21) Appl. No.: **29/330,506**

I claim the ornamental design for a handle for suitcase, as shown and described.

(22) Filed: **Jan. 8, 2009**

(51) **LOC (9) Cl.** **03-01**

DESCRIPTION

(52) **U.S. Cl.** **D3/318**

(58) **Field of Classification Search** D3/318,
D3/279, 282, 324, 328; D8/302, 306; 190/18 A,
190/39, 102–103, 111, 115; 16/110.1
See application file for complete search history.

FIG. 1 is a perspective view of a handle for suitcase showing the new design;

FIG. 2 is a front view thereof;

FIG. 3 is a rear view thereof;

FIG. 4 is a left side view thereof;

FIG. 5 is a right side view thereof;

FIG. 6 is a top view thereof; and,

FIG. 7 is a bottom view thereof.

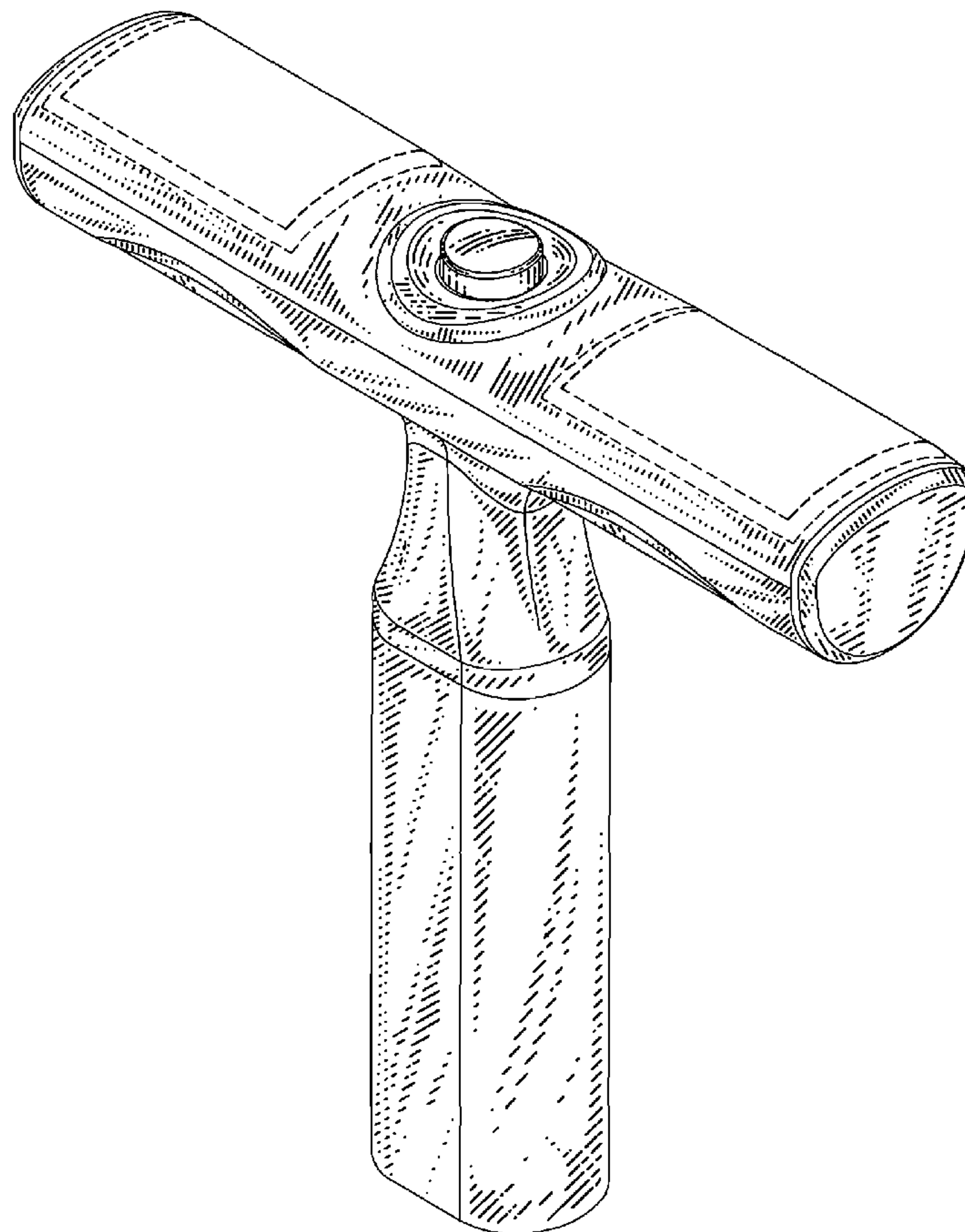
(56) **References Cited**

U.S. PATENT DOCUMENTS

D473,716 S *	4/2003	Nykoluk	D3/318
6,591,951 B1 *	7/2003	Chen	190/115
D486,647 S *	2/2004	Nordstrom et al.	D3/318
D527,183 S *	8/2006	Moon	D3/318
7,191,878 B2 *	3/2007	Lu	190/115
7,232,019 B2 *	6/2007	Chang et al.	190/115
D582,677 S *	12/2008	Tong	D3/318

The broken line showing of the handle for suitcase is included for the purpose of illustrating portions of the article and forms no part of the claimed design.

1 Claim, 5 Drawing Sheets



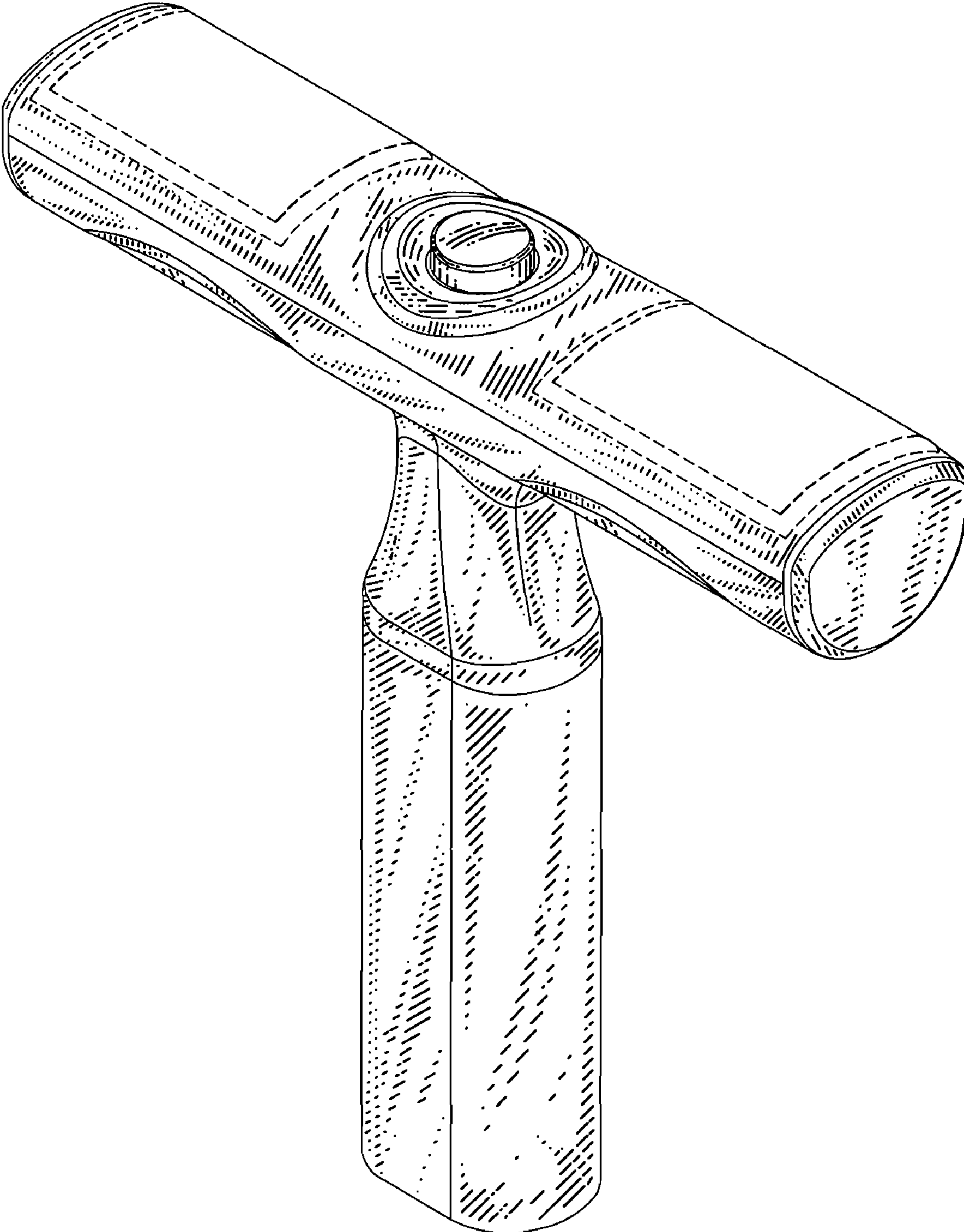


FIG. 1

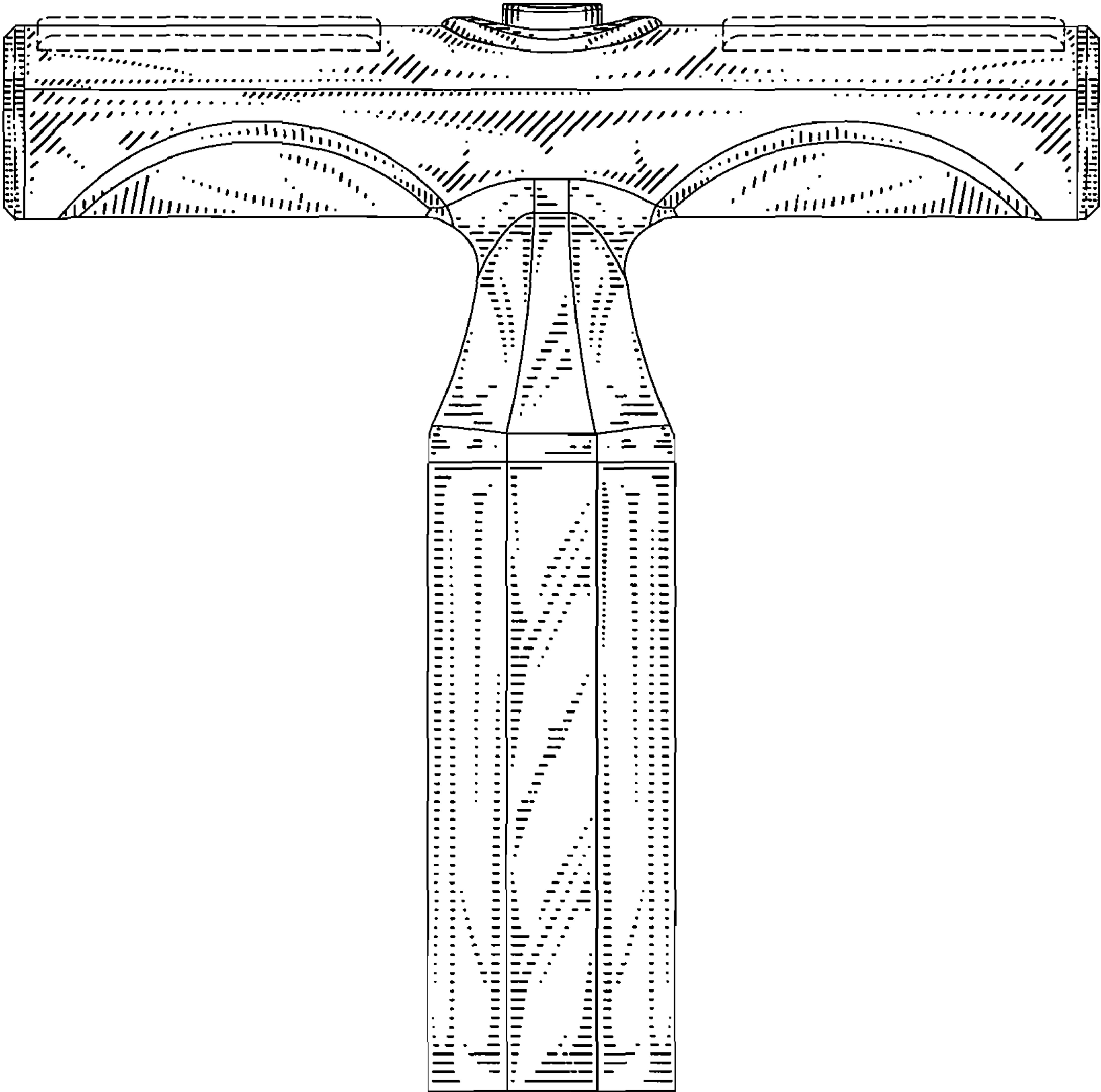


FIG. 2

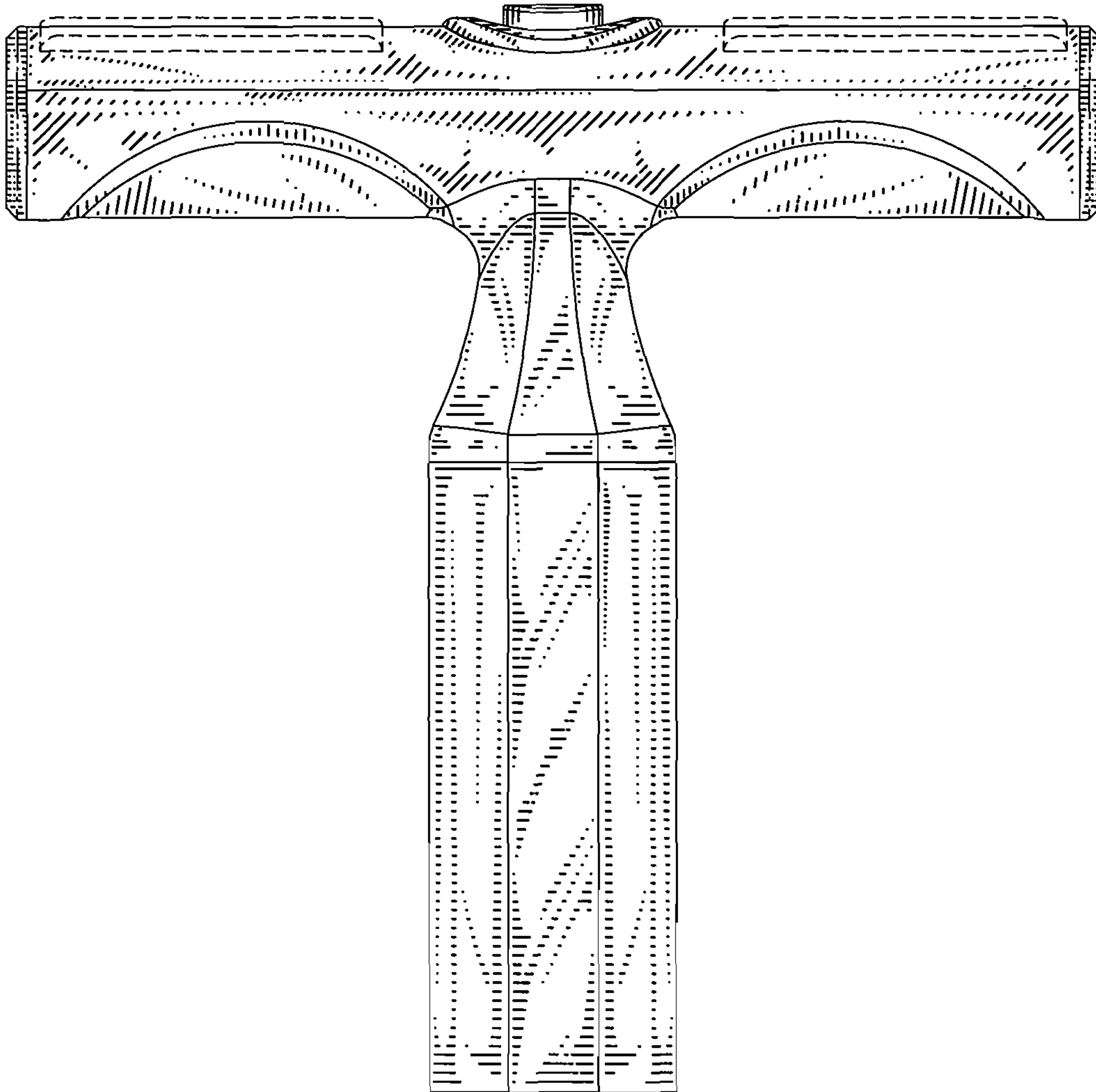


FIG. 3

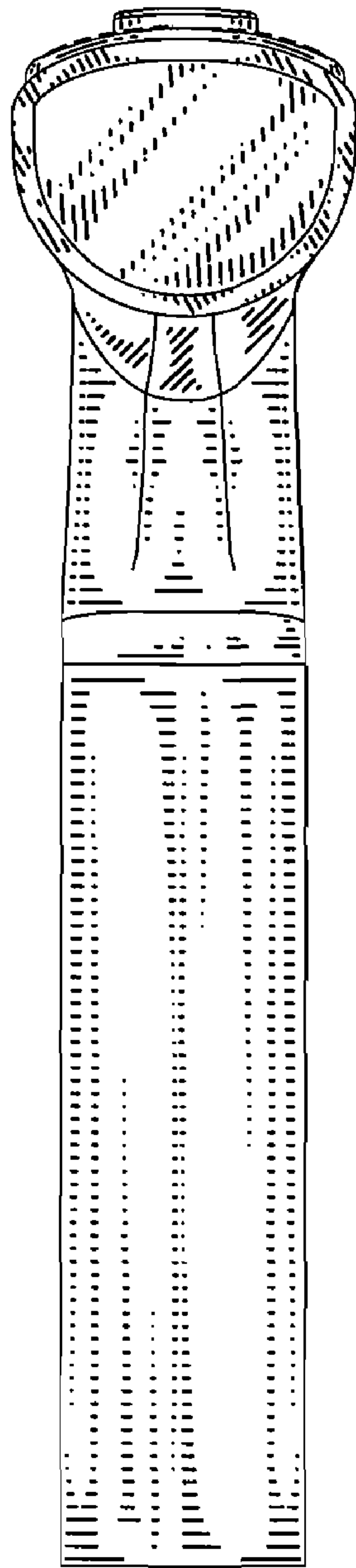


FIG. 4

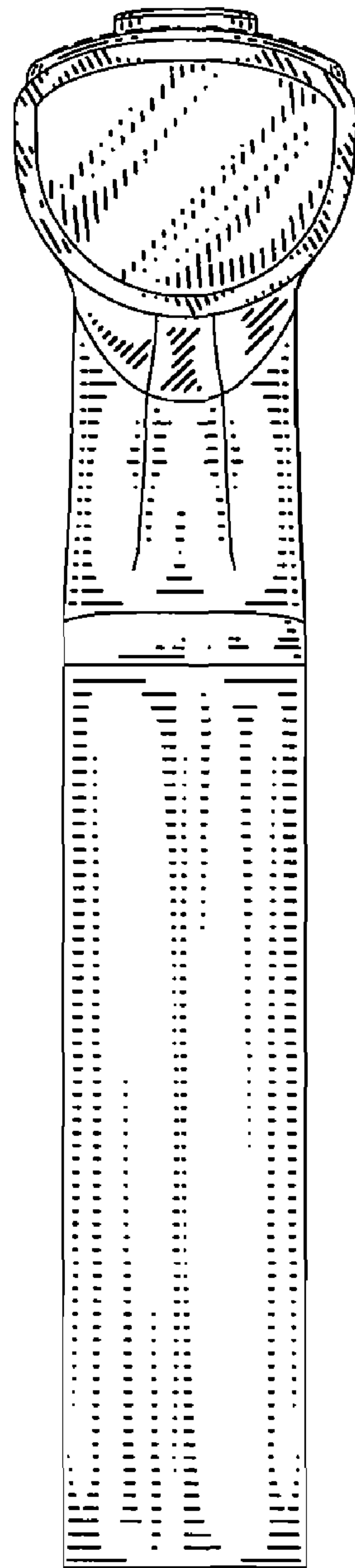


FIG. 5

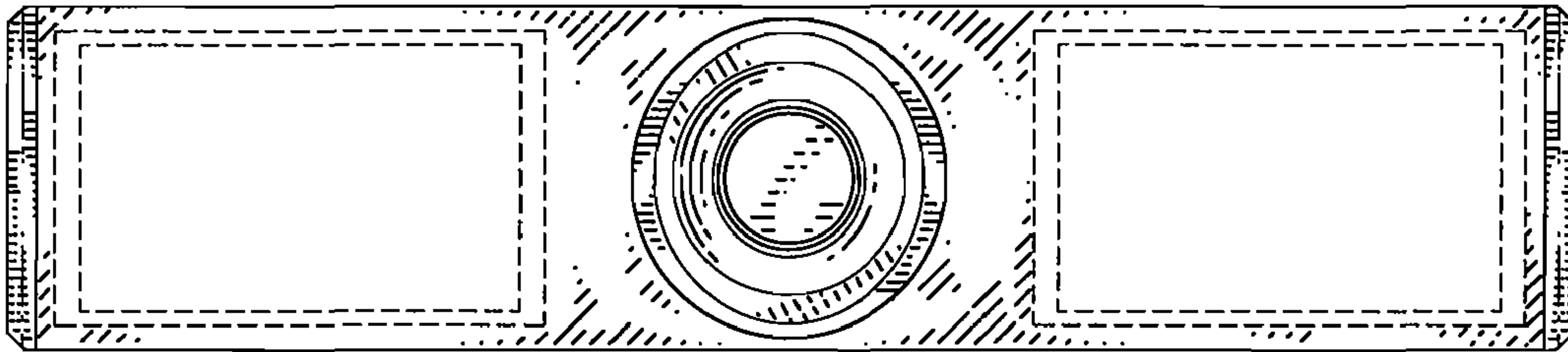


FIG. 6

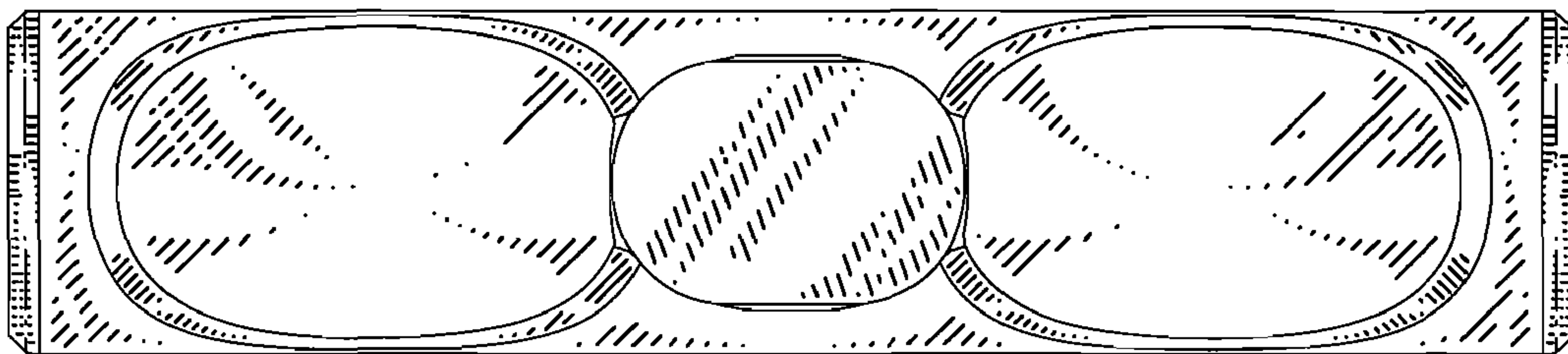


FIG. 7