



US00D607643S

(12) **United States Design Patent**
Chu et al.

(10) **Patent No.:** **US D607,643 S**

(45) **Date of Patent:** **** *Jan. 12, 2010**

(54) **HANDLE FRAME**

(75) Inventors: **David Ching Chi Chu**, New York, NY (US); **Youjin Nam**, Hoboken, NJ (US)

(73) Assignee: **Tumi, Inc.**, New York, NY (US)

(**) Term: **14 Years**

(21) Appl. No.: **29/327,689**

(22) Filed: **Nov. 11, 2008**

Related U.S. Application Data

(63) Continuation-in-part of application No. 29/320,371, filed on Jun. 25, 2008, now abandoned.

(51) **LOC (9) Cl.** **03-01**

(52) **U.S. Cl.** **D3/318**

(58) **Field of Classification Search** D3/318,
D3/321, 322, 276, 277, 279, 283, 902; 190/18 A,
190/100, 103, 109, 112, 124; D8/350
See application file for complete search history.

(56) **References Cited**

U.S. PATENT DOCUMENTS

3,084,771 A	4/1963	Davis	
3,284,864 A	11/1966	Howell	
D320,769 S	10/1991	Komuro	
D374,773 S	10/1996	Domotor	
D394,551 S	5/1998	Decoster	
D415,008 S *	10/1999	Wang	D8/321
D416,684 S	11/1999	Nykoluk	
D417,134 S *	11/1999	Workman	D8/350
6,000,509 A	12/1999	Chisholm	
D425,705 S	5/2000	Santy et al.	

D428,797 S *	8/2000	Lin	D8/350
D440,046 S *	4/2001	Kuo	D3/318
D441,636 S *	5/2001	Wang	D8/350
D444,696 S *	7/2001	Kuo	D8/350
D447,929 S *	9/2001	Chang	D8/350
D472,713 S *	4/2003	Lee	D3/318
D474,597 S	5/2003	Nykoluk	
D480,874 S	10/2003	Nykoluk	

(Continued)

OTHER PUBLICATIONS

Tumi "design in motion" product catalog from 1999.

(Continued)

Primary Examiner—Holly H Baynham

Assistant Examiner—Sheryl Lane

(74) *Attorney, Agent, or Firm*—Baker Botts L.L.P.

(57) **CLAIM**

The ornamental design for a handle frame, as shown and described.

DESCRIPTION

FIG. 1 is a perspective view of a handle frame.

FIG. 2 is a front view of the handle frame of FIG. 1.

FIG. 3 is a rear view of the handle frame of FIG. 1.

FIG. 4 is a right side view of the handle frame of FIG. 1.

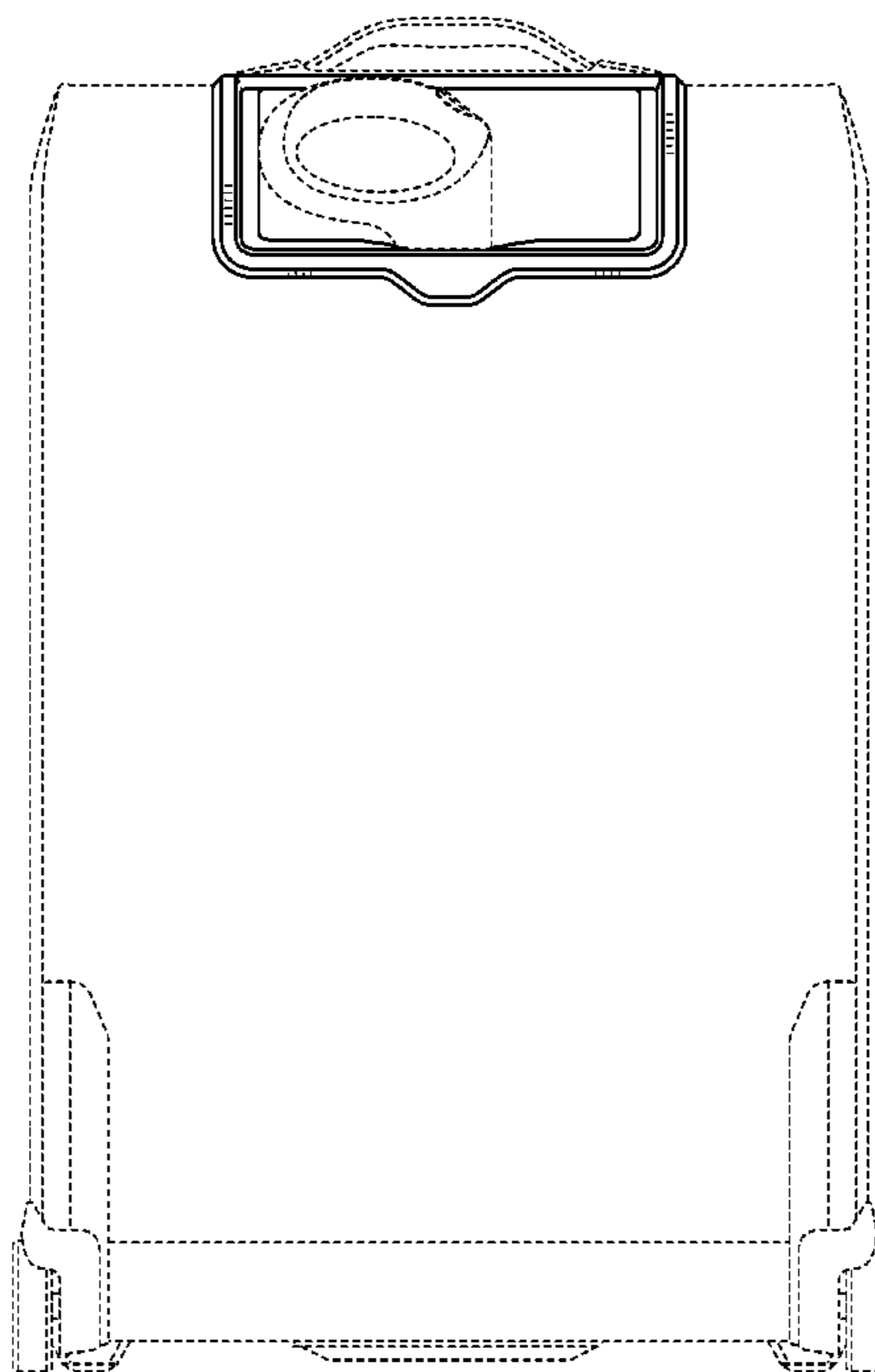
FIG. 5 is a left side view of the handle frame of FIG. 1.

FIG. 6 is a top view of the handle frame of FIG. 1; and,

FIG. 7 is a bottom view of the handle frame of FIG. 1.

The broken lines are provided for illustrative purposes only and form no part of the claimed design.

1 Claim, 6 Drawing Sheets



US D607,643 S

Page 2

U.S. PATENT DOCUMENTS

D485,681 S 1/2004 Fenton et al.
D489,531 S * 5/2004 Oh D3/318
D491,367 S * 6/2004 Moon D3/318
D493,283 S 7/2004 Rada et al.
D494,763 S 8/2004 Fenton et al.
D497,480 S * 10/2004 Drew et al. D3/318
D498,055 S 11/2004 Fenton
D498,056 S 11/2004 Moon
D503,536 S 4/2005 Rada et al.
D506,313 S * 6/2005 Neumann D3/318
D507,112 S 7/2005 Fenton et al.
D507,113 S 7/2005 Nykoluk
D510,190 S 10/2005 Fenton et al.
D538,043 S 3/2007 Fenton et al.
D538,541 S 3/2007 Fenton et al.
7,237,660 B2 * 7/2007 Wu 190/18 A
D554,372 S 11/2007 Scicluna et al.
D554,861 S 11/2007 Udall et al.
D570,601 S * 6/2008 Drew et al. D3/318

7,404,240 B2 7/2008 Nedbal et al.
D581,667 S 12/2008 Yeh
D590,154 S 4/2009 Hopwood et al.
D590,595 S 4/2009 Chu et al.

OTHER PUBLICATIONS

First Tumi product catalog from 2001.
Second Tumi product catalog from 2001.
Tumi Business Collections product brochure (1999-2001).
Tumi Travel Collections product brochure (1999-2001).
U.S. Appl. 29/320,371 - Image File Wrapper.
U.S. Appl. 29/327,982 - Image File Wrapper.
U.S. Appl. 29/327,684 - Image File Wrapper.
U.S. Appl. 29/327,685 - Image File Wrapper.
U.S. Appl. 29/327,687 - Image File Wrapper.
U.S. Appl. 29/327,690 - Image File Wrapper.
U.S. Appl. 29/327,691 - Image File Wrapper.
U.S. Appl. 29/327,694 - Image File Wrapper.

* cited by examiner

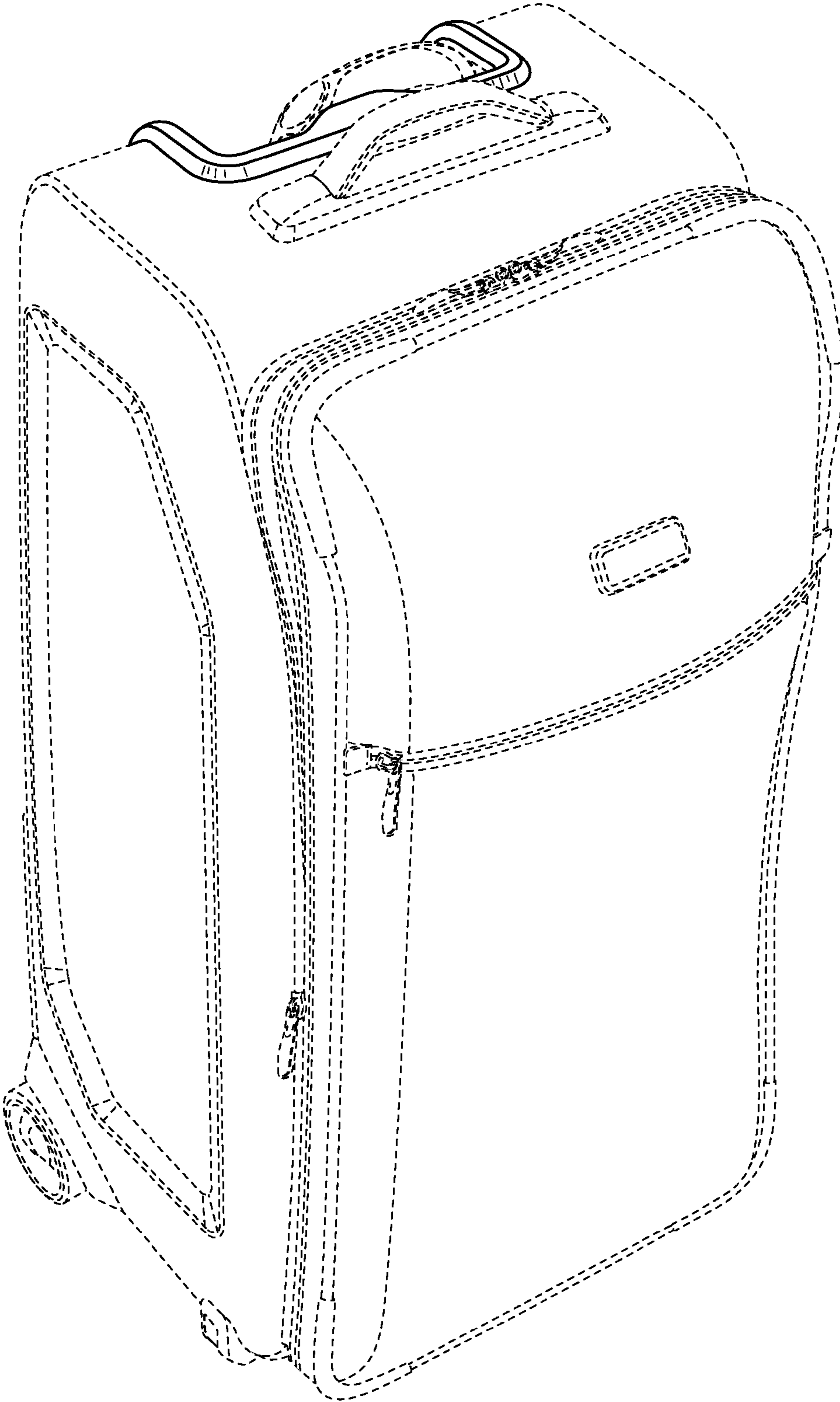


FIG. 1

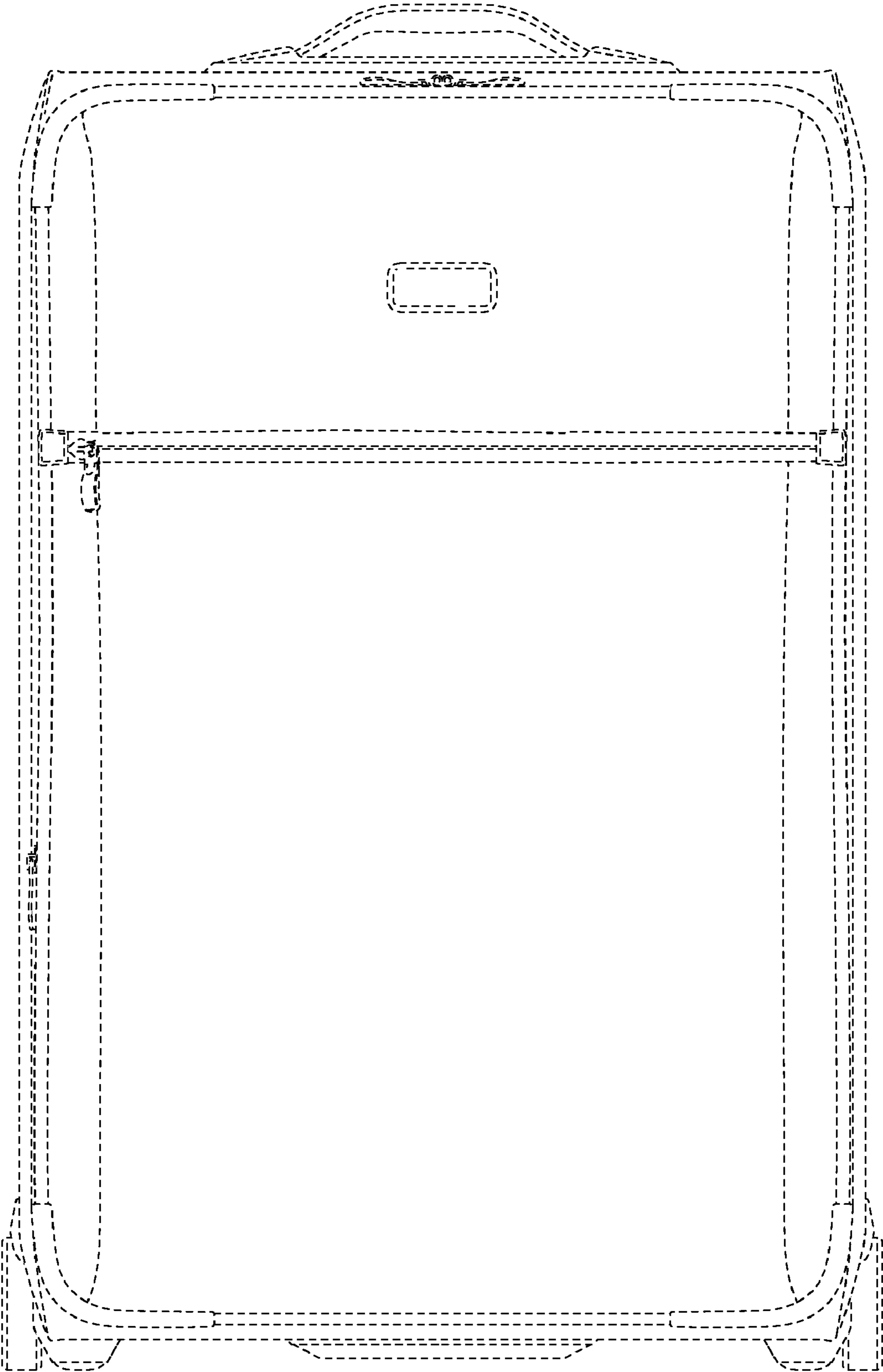


FIG. 2

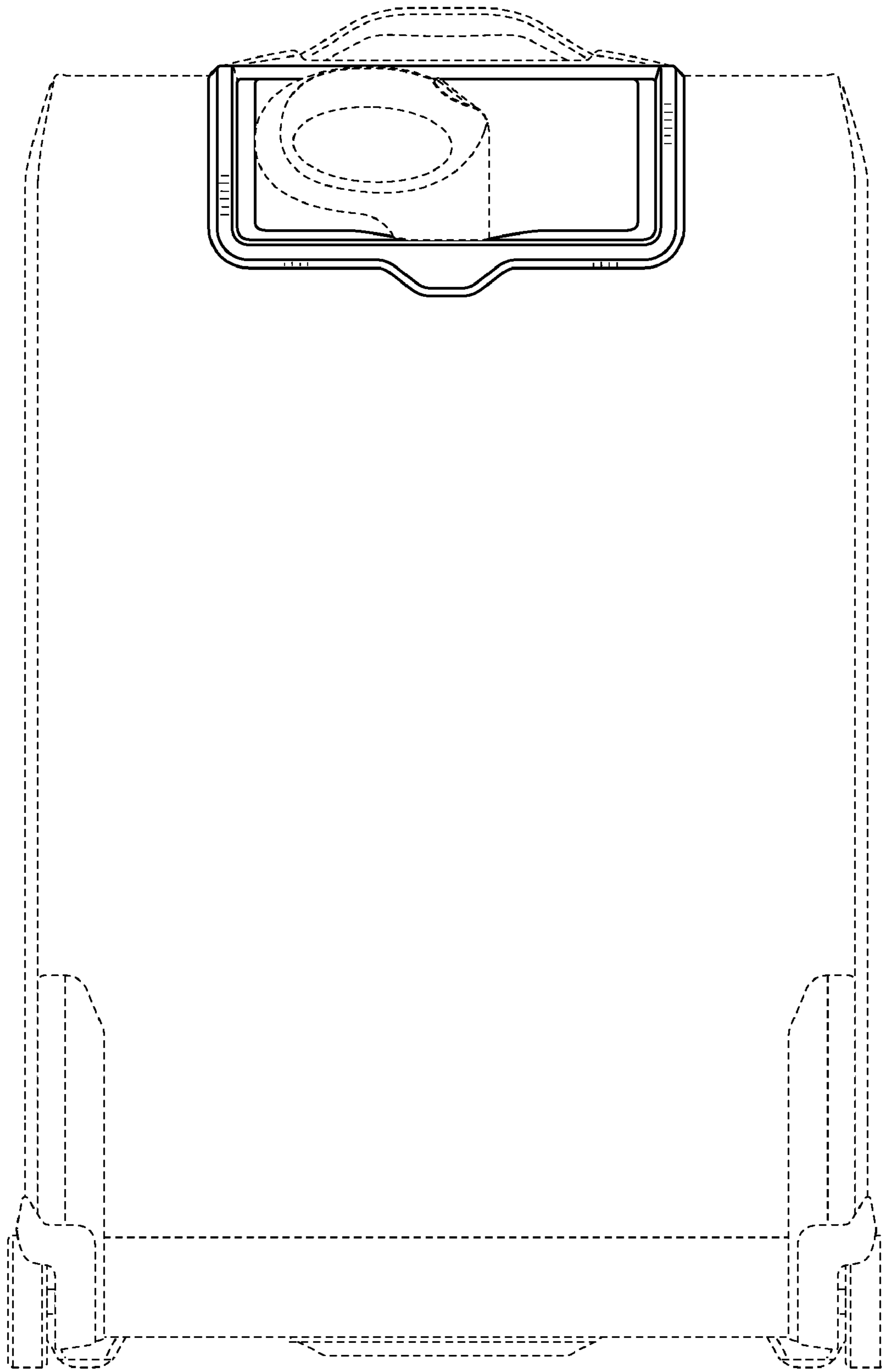


FIG. 3

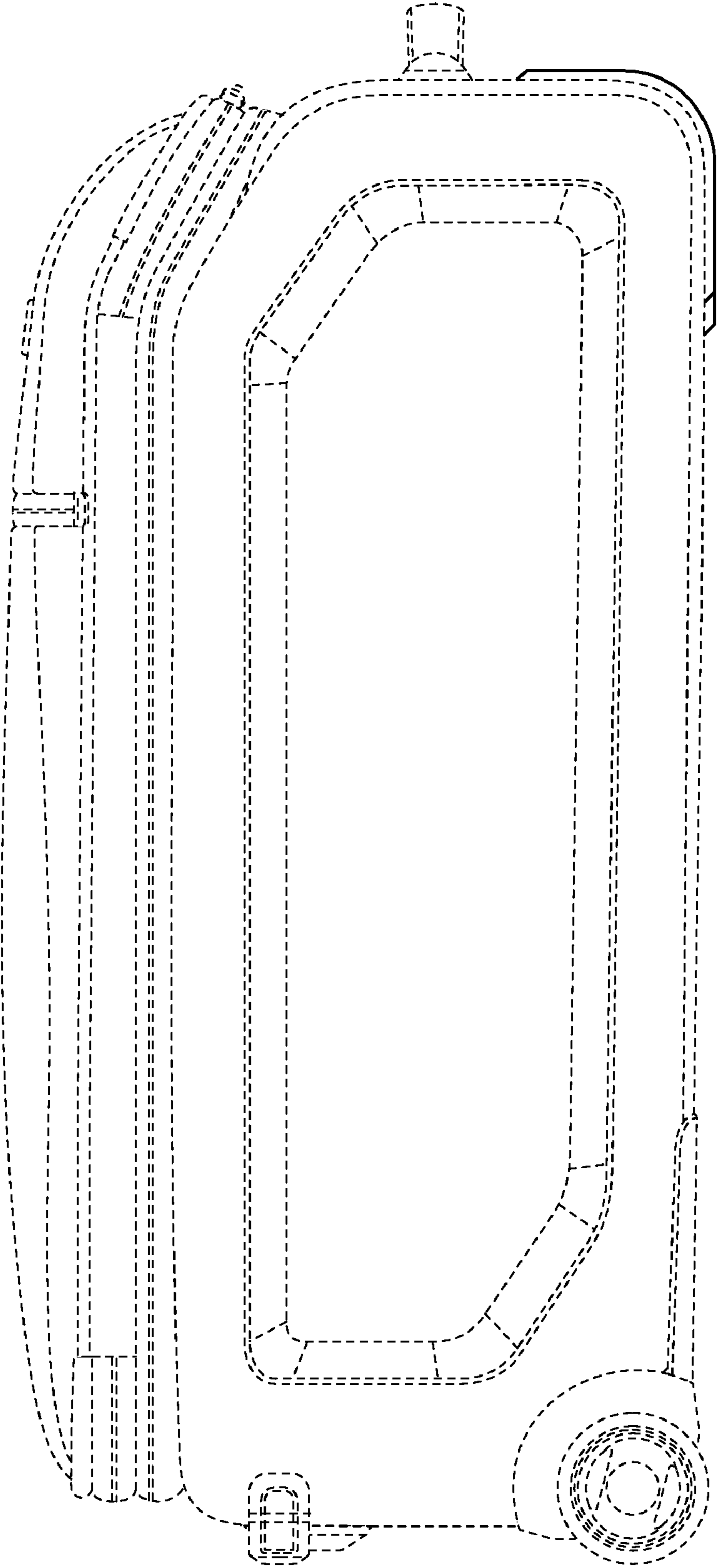


FIG. 4

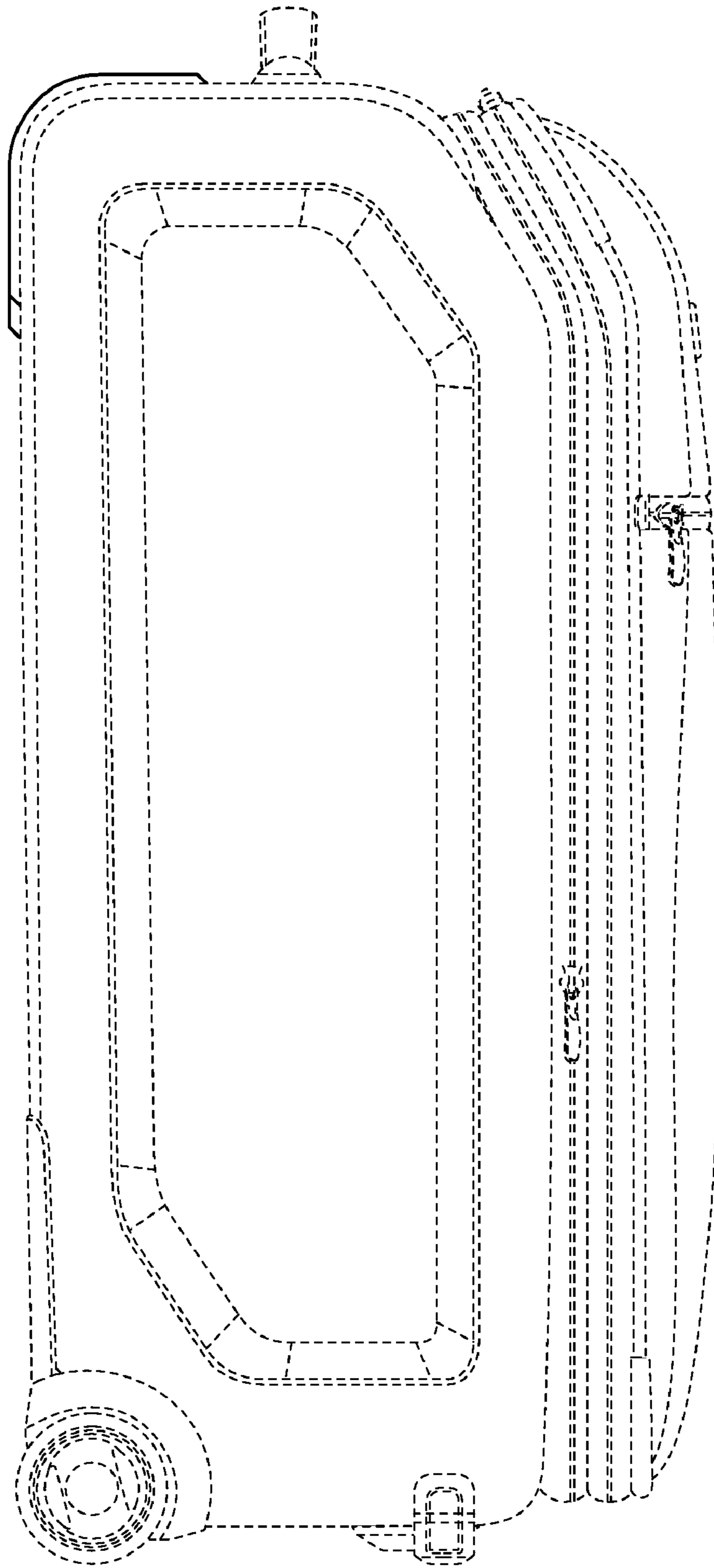


FIG. 5

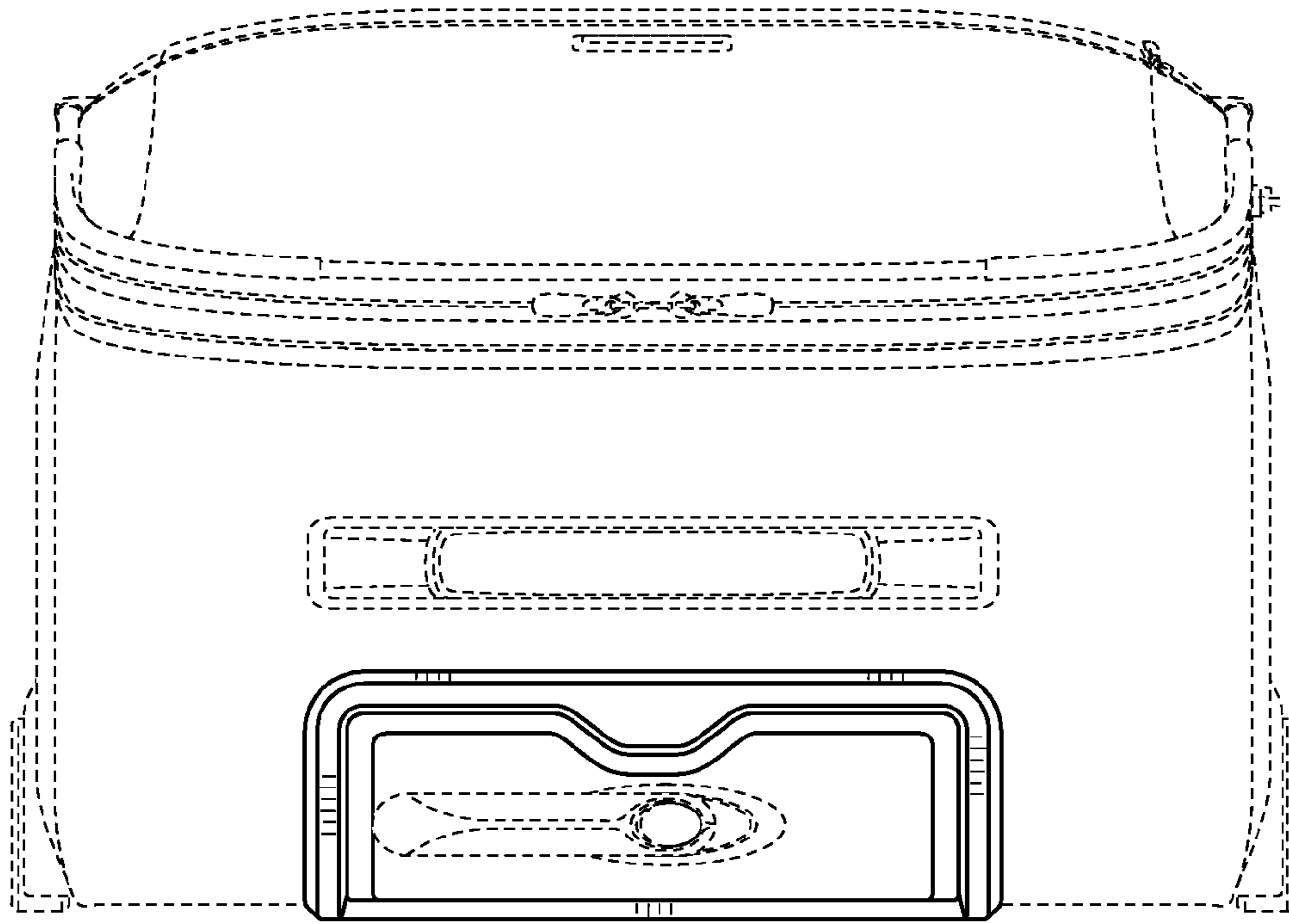


FIG. 6

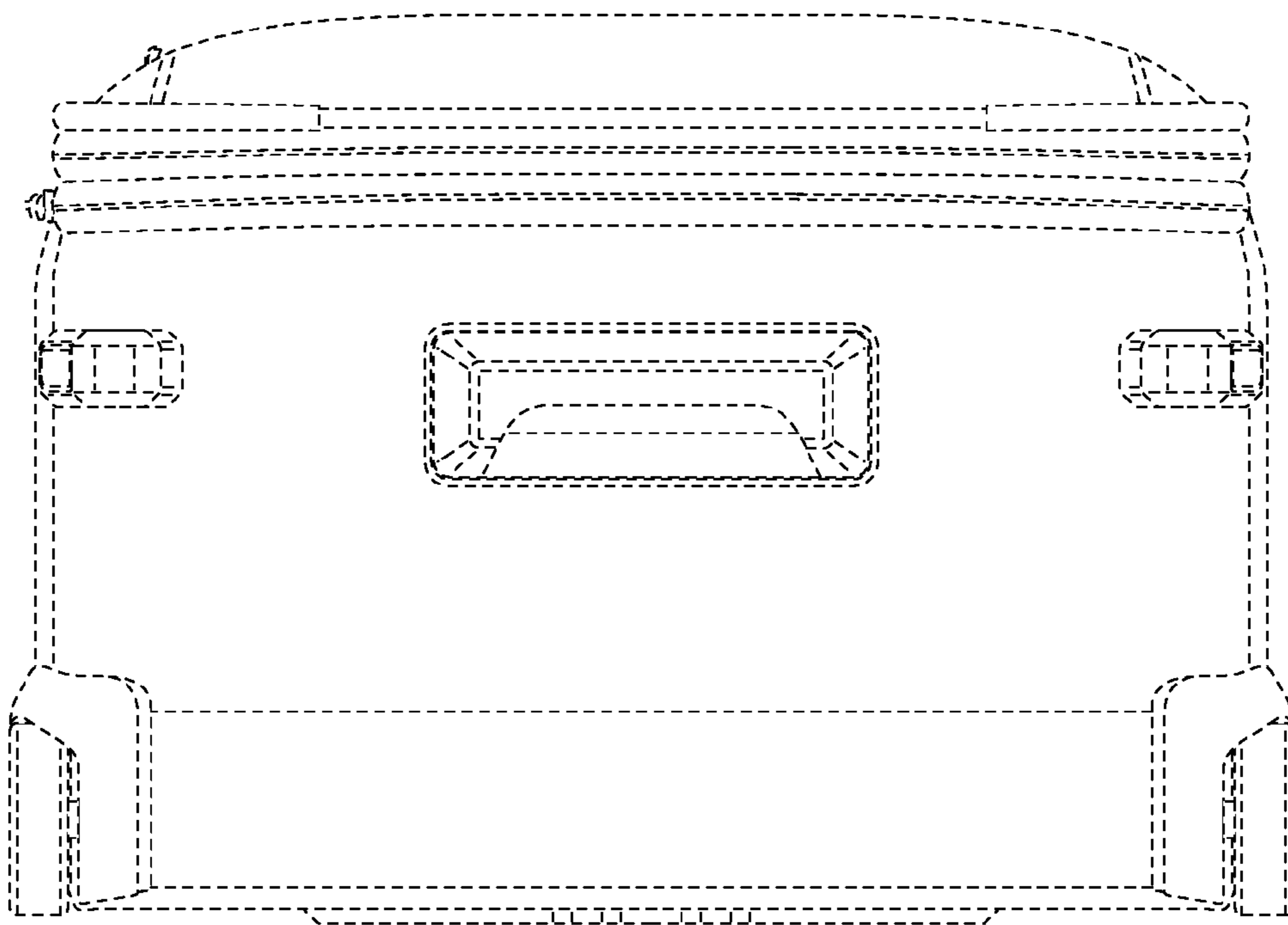


FIG. 7