



US00D607641S

(12) **United States Design Patent**
Chen

(10) **Patent No.:** **US D607,641 S**
(45) **Date of Patent:** **** Jan. 12, 2010**

(54) **HANDLE FOR SUITCASE**

(75) Inventor: **Kuo-En Chen**, Changhua (TW)

(73) Assignee: **Solite International Co., Ltd.**,
Changhua (TW)

(**) Term: **14 Years**

(21) Appl. No.: **29/321,806**

(22) Filed: **Jul. 24, 2008**

(51) **LOC (9) Cl.** **03-01**

(52) **U.S. Cl.** **D3/318**

(58) **Field of Classification Search** D3/318,
D3/279, 282, 324, 328; D8/302, 306; 190/18 A,
190/39, 102-103, 111, 115; 16/110.1
See application file for complete search history.

(56) **References Cited**

U.S. PATENT DOCUMENTS

D460,265 S *	7/2002	Chang	D3/318
D504,773 S *	5/2005	Lu	D3/318
6,918,475 B2 *	7/2005	Lin et al.	190/115
D527,183 S *	8/2006	Moon	D3/318
D528,302 S *	9/2006	Moon	D3/318
D532,973 S *	12/2006	Moon	D3/318
D552,850 S *	10/2007	Wu	D3/318
D553,364 S *	10/2007	Moon	D3/318
D572,905 S *	7/2008	Wu	D3/318

D583,153 S *	12/2008	Wu	D3/318
D583,564 S *	12/2008	Wu	D3/318
D591,511 S *	5/2009	Wu	D3/318

* cited by examiner

Primary Examiner—Holly H Baynham

Assistant Examiner—Sheryl Lane

(74) *Attorney, Agent, or Firm*—Alan Kamrath; Kamrath & Associates PA

(57) **CLAIM**

The ornamental design for handle for suitcase, as shown and described.

DESCRIPTION

FIG. 1 is a perspective view of a handle for suitcase showing my new design;

FIG. 2 is a front view thereof;

FIG. 3 is a rear view thereof;

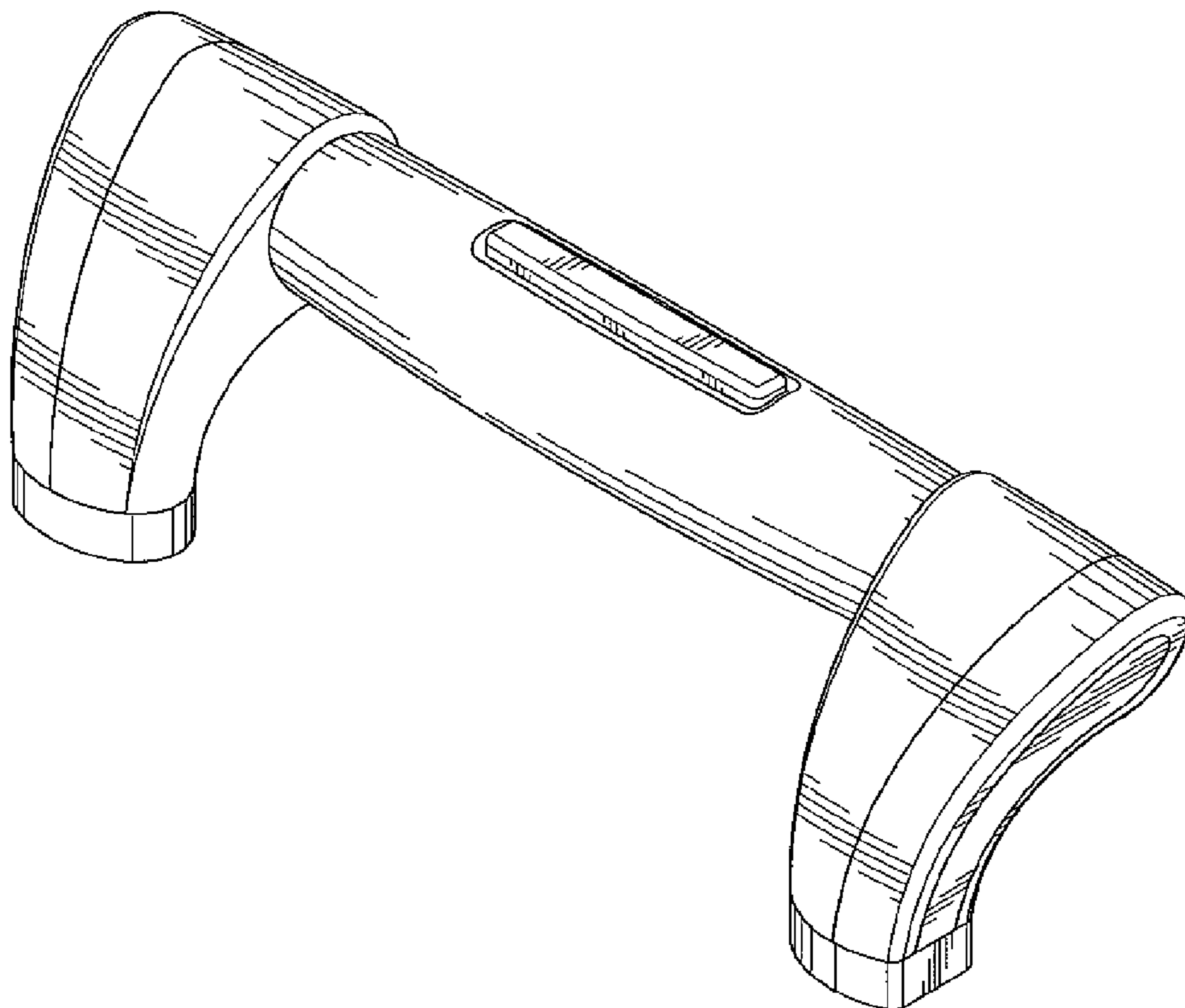
FIG. 4 is a right view thereof; the opposite side being a mirror image of the shown;

FIG. 5 is a top view thereof;

FIG. 6 is a bottom view thereof; and,

FIG. 7 is the perspective view embodying the utilization of handle for suitcase in which the broken line is for illustrative purposes only and forms no part of the claimed design.

1 Claim, 4 Drawing Sheets



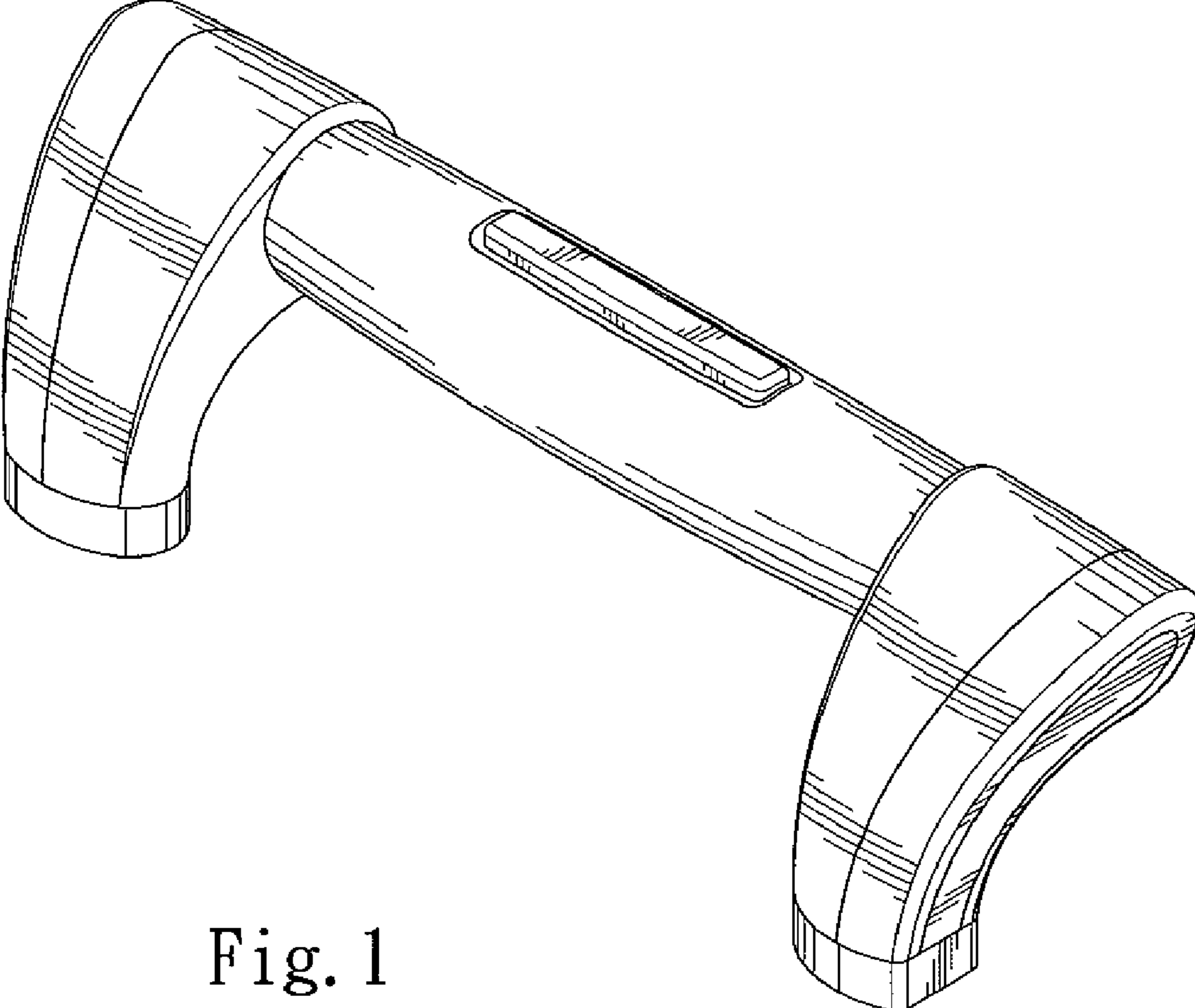


Fig. 1

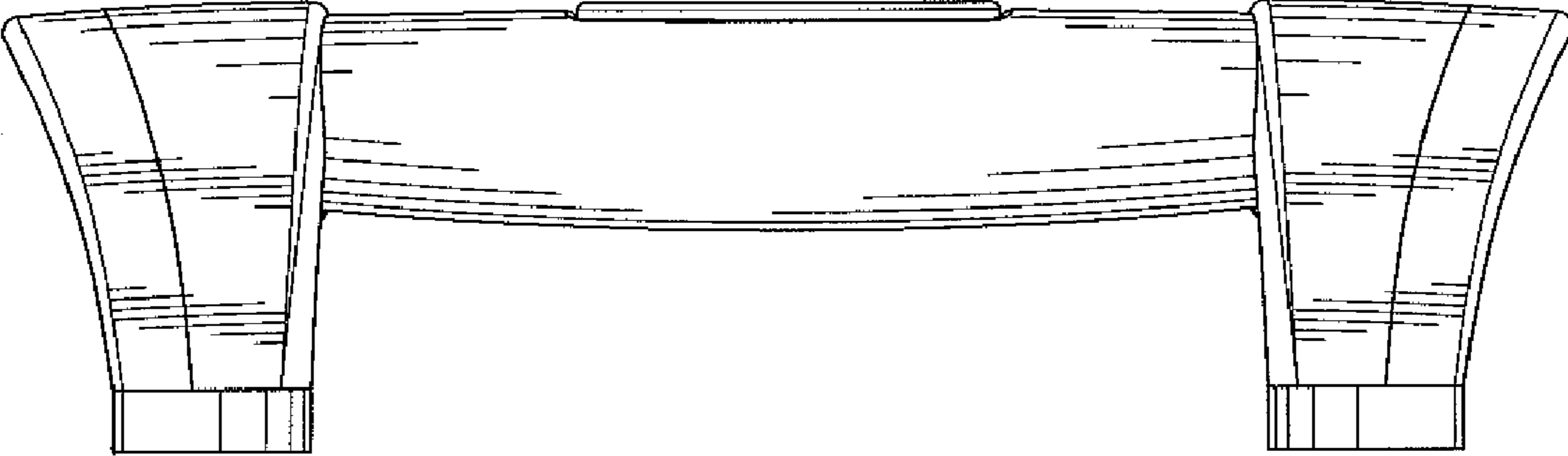


Fig. 2

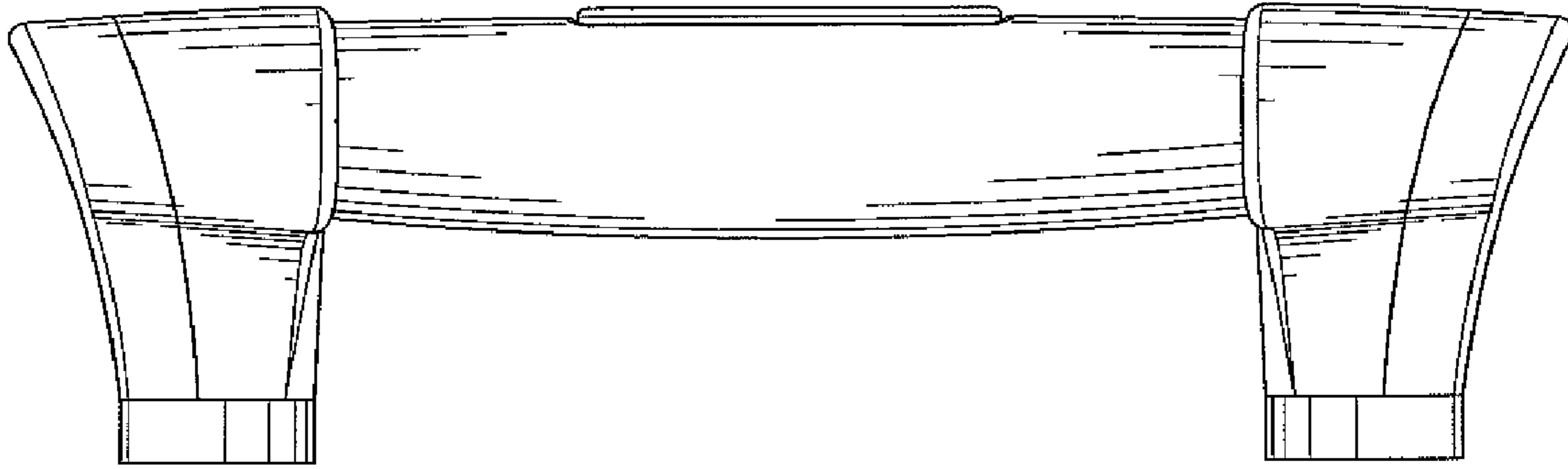


Fig. 3

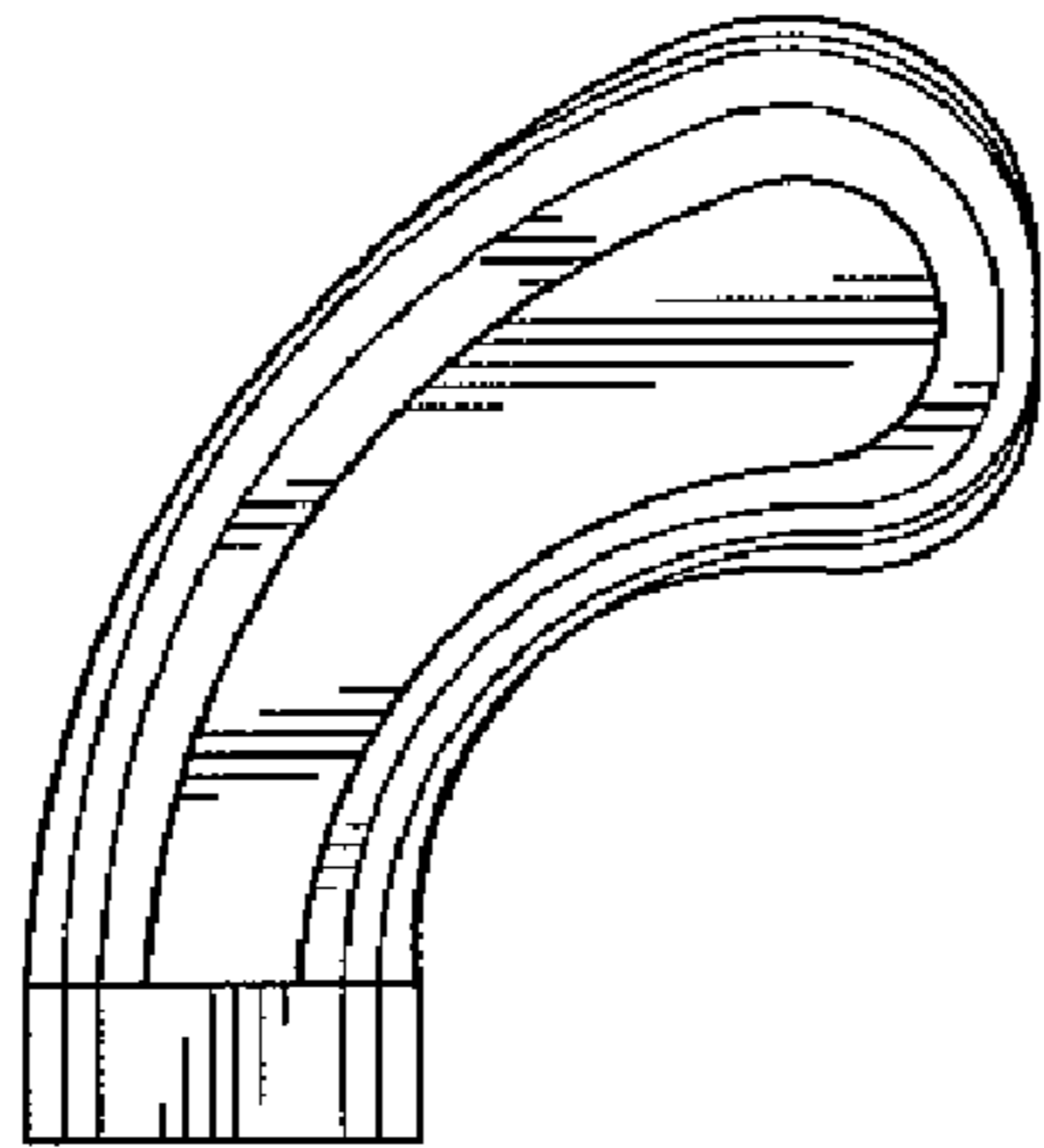


Fig. 4

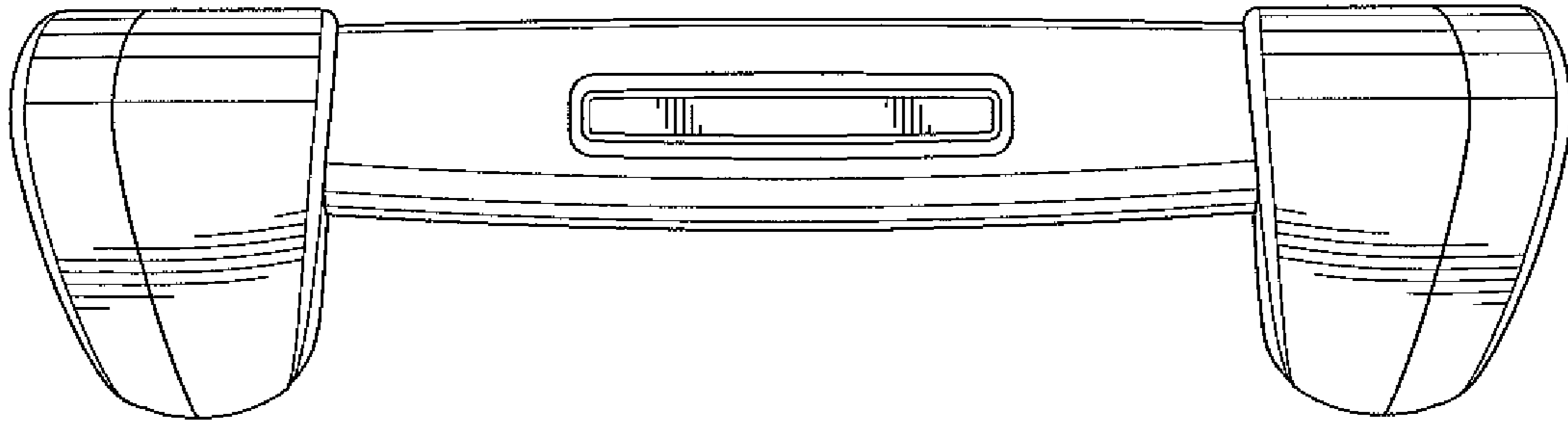


Fig. 5

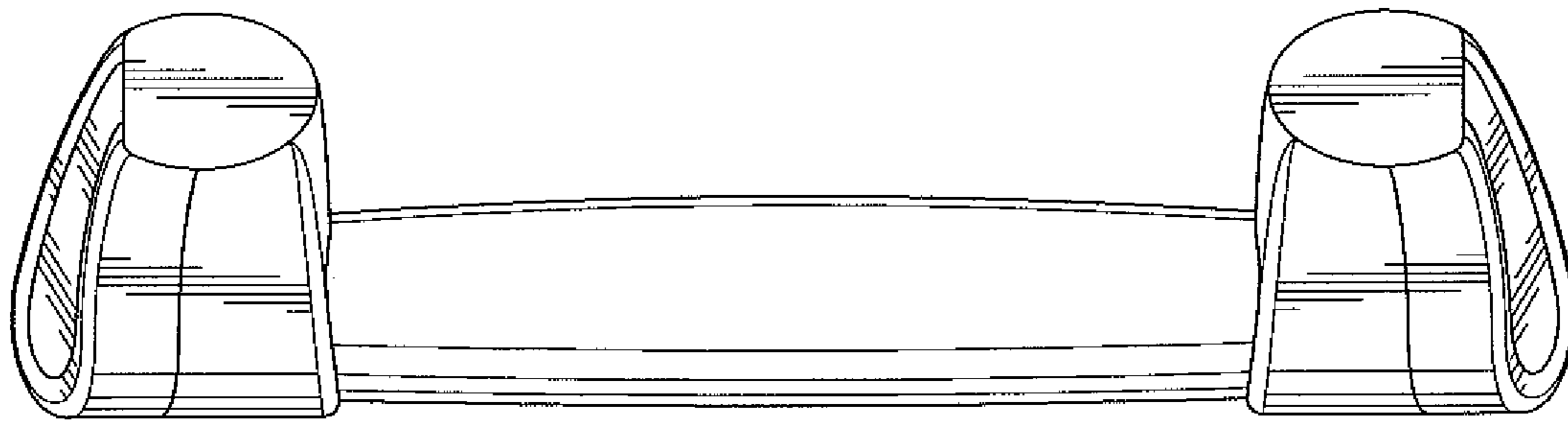


Fig. 6

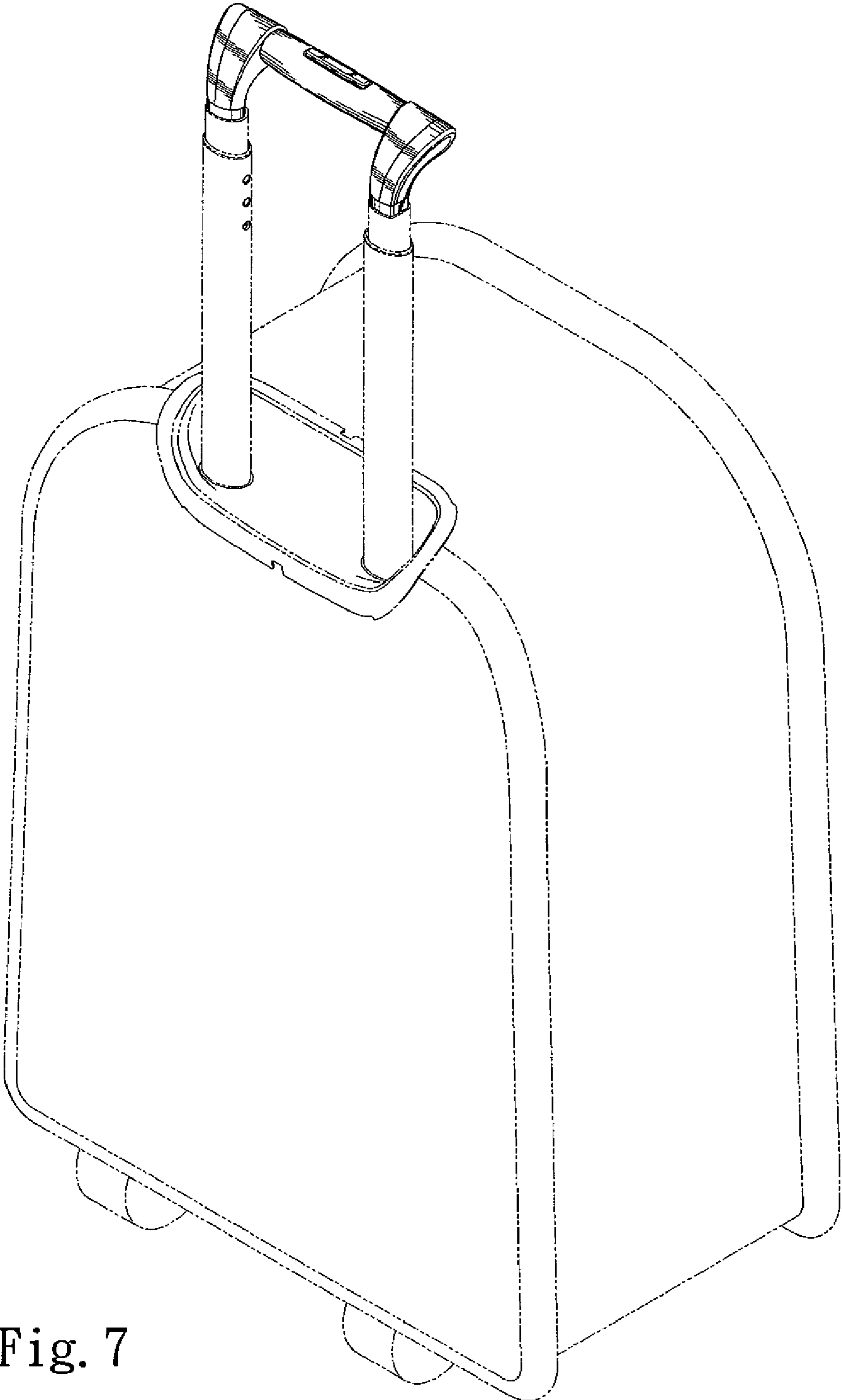


Fig. 7