



US00D607640S

(12) **United States Design Patent**
Emile

(10) **Patent No.:** **US D607,640 S**
(45) **Date of Patent:** **** Jan. 12, 2010**

(54) **SKATEBOARD BACK PACK**

(76) Inventor: **Clifton Emile**, 755 E. 56th St.,
Brooklyn, NY (US) 11234

(**) Term: **14 Years**

(21) Appl. No.: **29/293,649**

(22) Filed: **Dec. 4, 2007**

(51) **LOC (9) Cl.** **03-01**

(52) **U.S. Cl.** **D3/261; D3/216**

(58) **Field of Classification Search** D3/221,
D3/54, 261, 269, 904; 206/579, 315.1; 224/600,
224/609, 613

See application file for complete search history.

(56) **References Cited**

U.S. PATENT DOCUMENTS

D258,703	S	*	3/1981	Ogle et al.	D3/261
4,337,883	A	*	7/1982	Pate	224/250
4,790,460	A	*	12/1988	Harper, Jr.	224/644
D315,825	S	*	4/1991	Hutton et al.	D3/217
5,016,794	A		5/1991	Beagle, Jr.		
5,029,702	A	*	7/1991	Tong	206/315.1
D321,792	S	*	11/1991	MacNeary	D3/221
5,092,506	A		3/1992	Bolduc		
5,344,056	A		9/1994	Challoner et al.		
5,492,254	A	*	2/1996	Challoner et al.	224/586
5,803,333	A	*	9/1998	Fawcett	224/652
D455,259	S	*	4/2002	Kelly-Pollet	D3/221
D455,897	S	*	4/2002	Jones	D3/217

D474,888	S	*	5/2003	Gillenwater	D3/261
6,585,137	B1	*	7/2003	Archuleta	224/617
6,799,707	B2	*	10/2004	Gibson	224/609
6,832,711	B2		12/2004	Black		
D510,801	S	*	10/2005	Gillenwater	D3/261
D524,539	S	*	7/2006	Metzger et al.	D3/261
D573,791	S	*	7/2008	Matzger et al.	D3/261
2002/0104725	A1	*	8/2002	Dexheimer	190/108
2004/0238585	A1		12/2004	Scarano		
2008/0277442	A1	*	11/2008	Crandall	224/609

* cited by examiner

Primary Examiner—Philip S Hyder

Assistant Examiner—Roselynn Cody

(74) *Attorney, Agent, or Firm*—Richard L. Miller

(57) **CLAIM**

The ornamental design for a skateboard back pack, as shown and described.

DESCRIPTION

FIG. 1 is a front elevational view of my new design for a skateboard back pack shown in a flaccid condition;

FIG. 2 is a rear elevational view thereof;

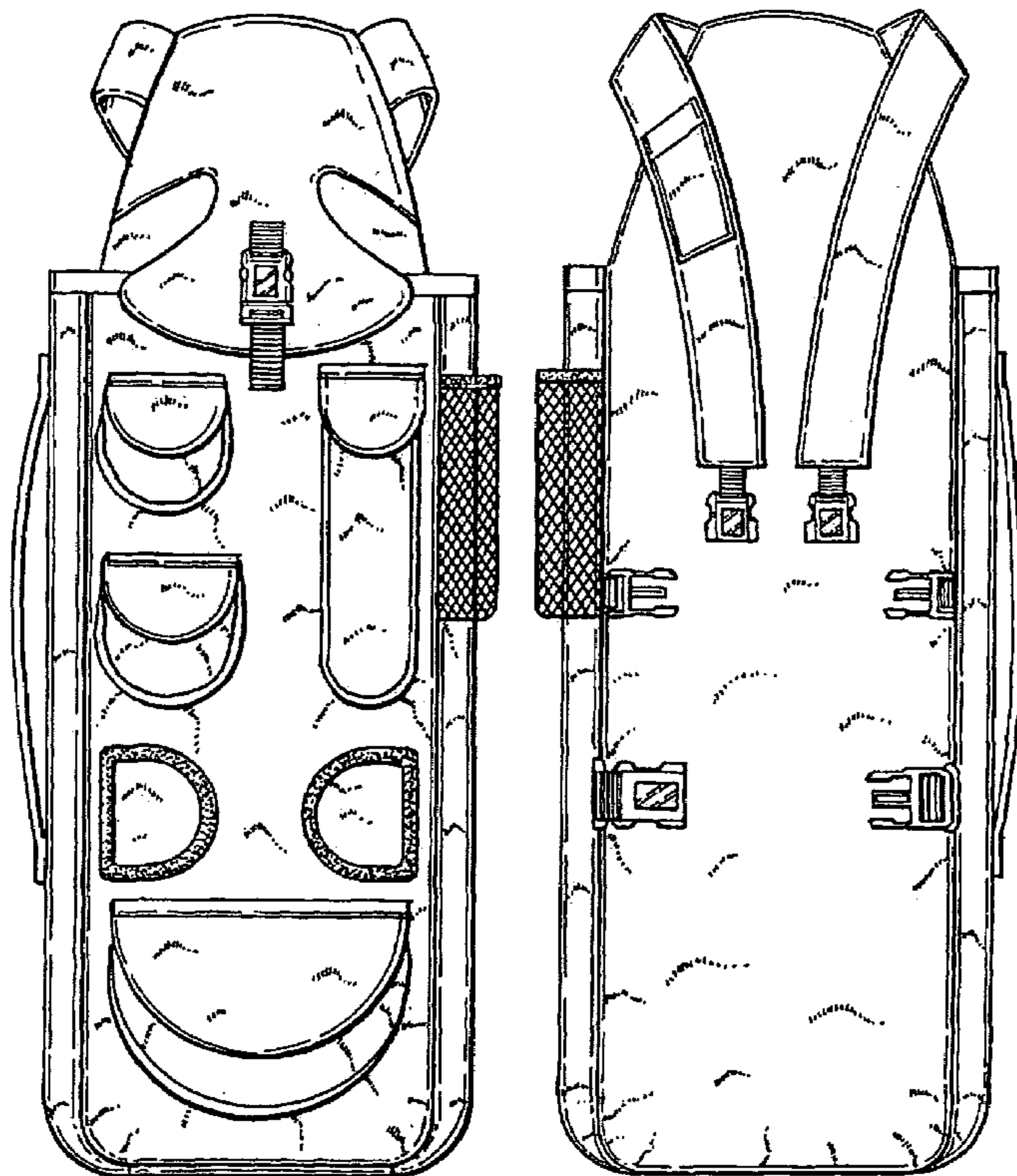
FIG. 3 is a right side elevational view of the skateboard back pack filled out, as it would appear in a condition of use;

FIG. 4 is a left side elevational view thereof;

FIG. 5 is a top plan view thereof; and,

FIG. 6 is a bottom plan view thereof.

1 Claim, 3 Drawing Sheets



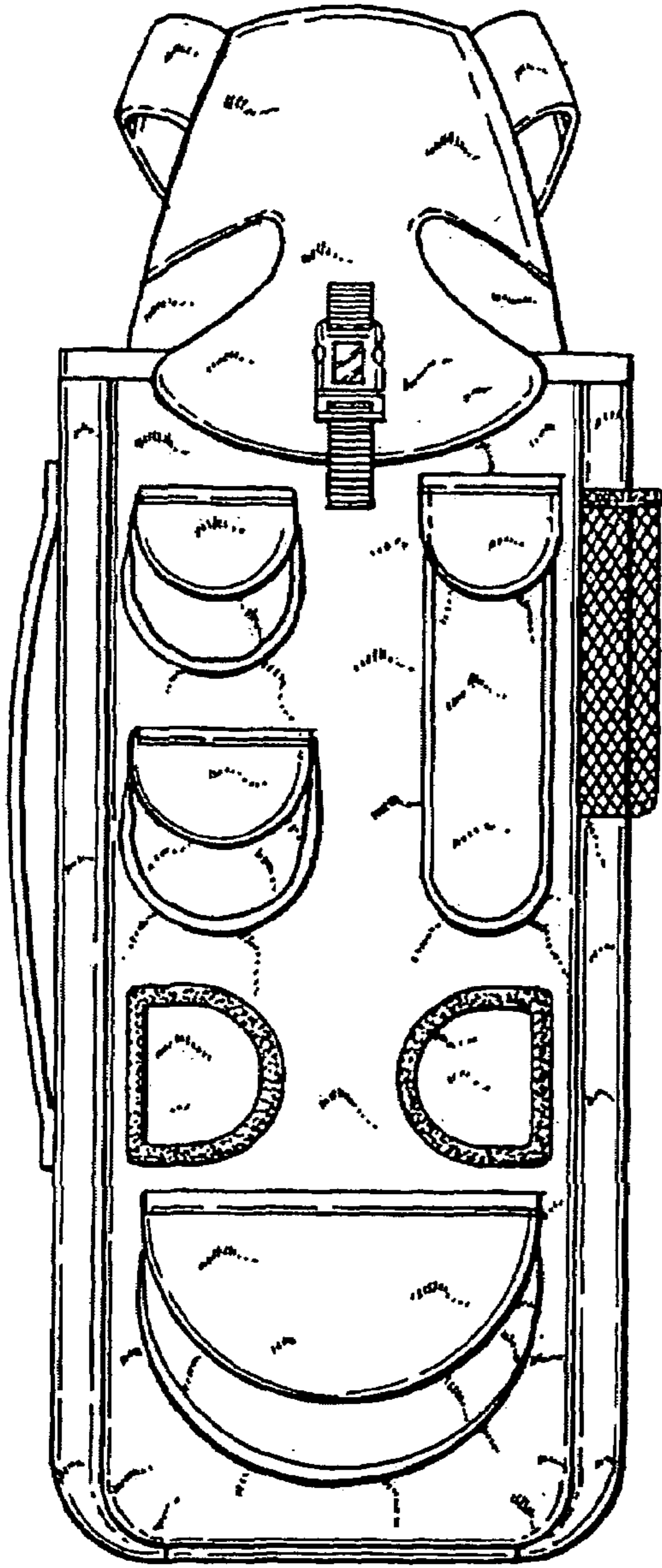


Fig. 1

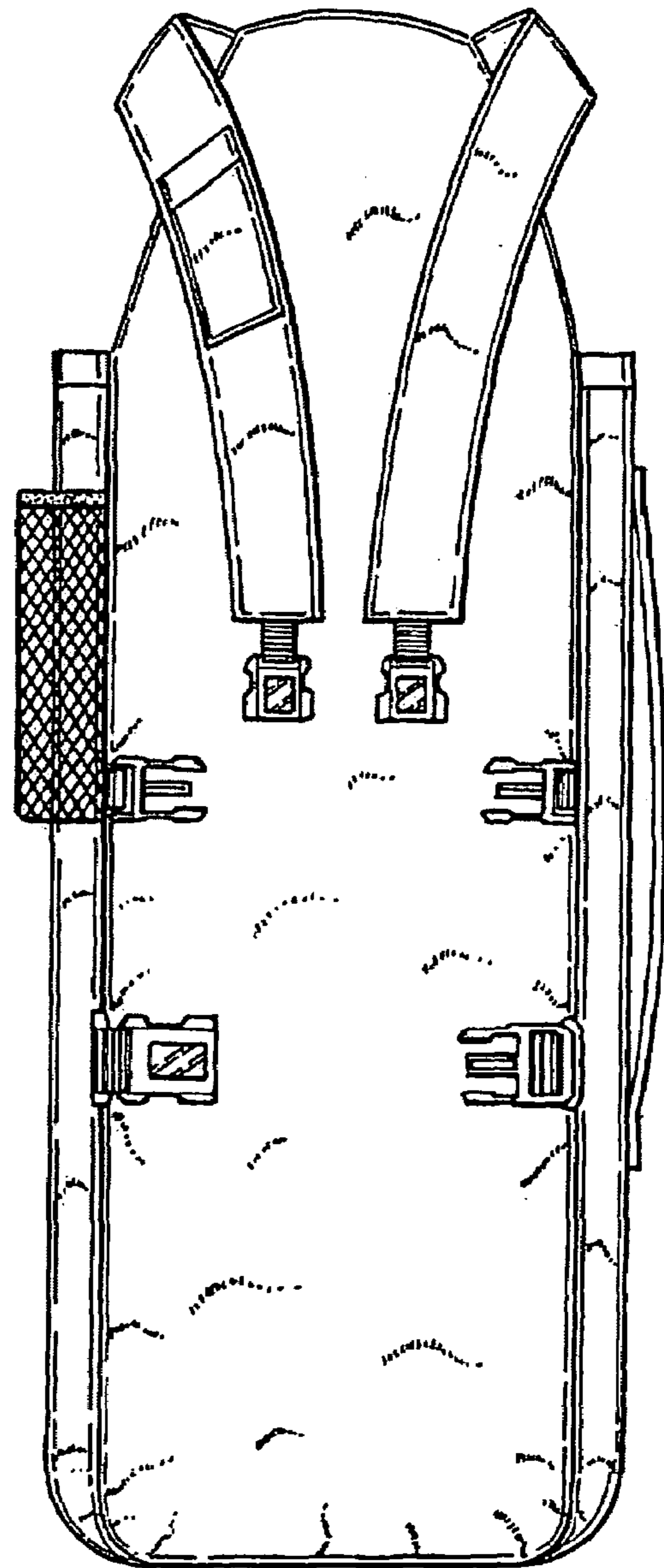


Fig. 2

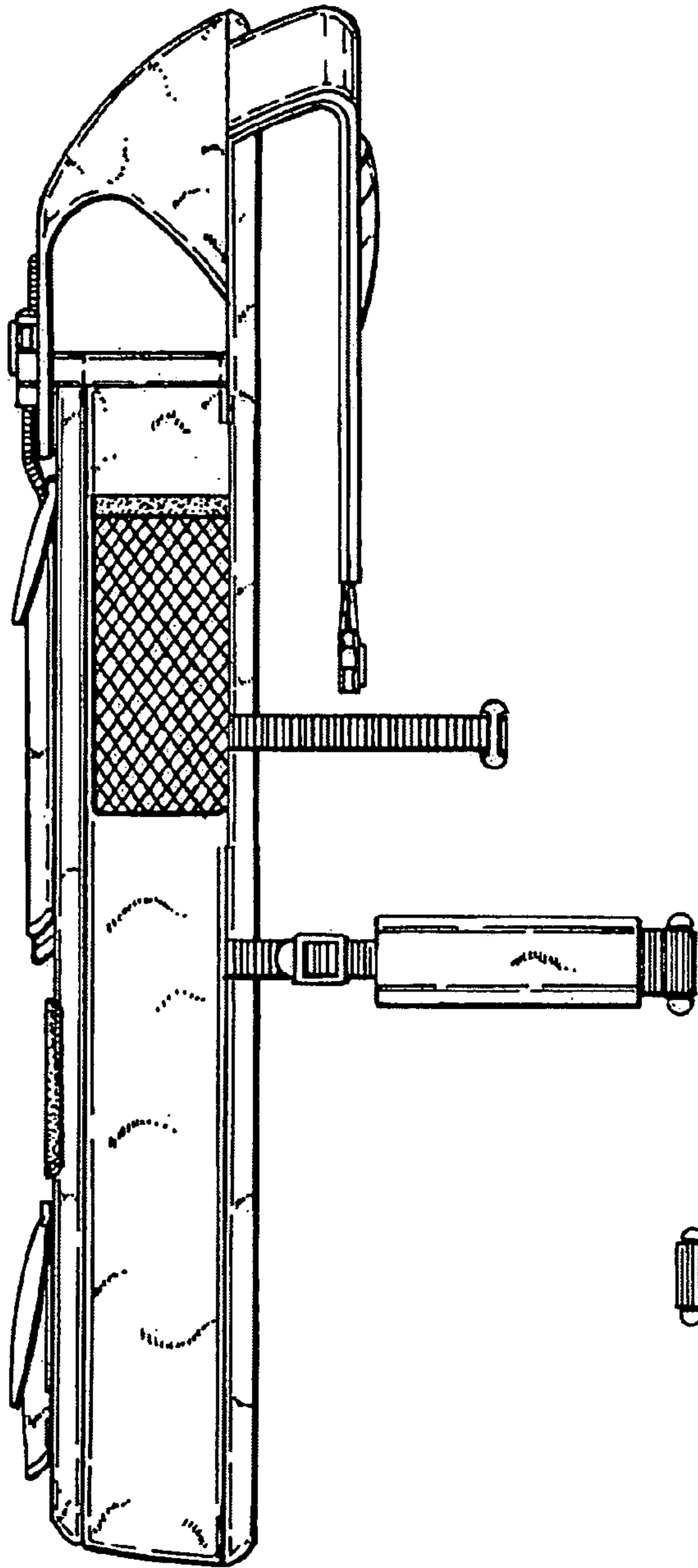


Fig. 3

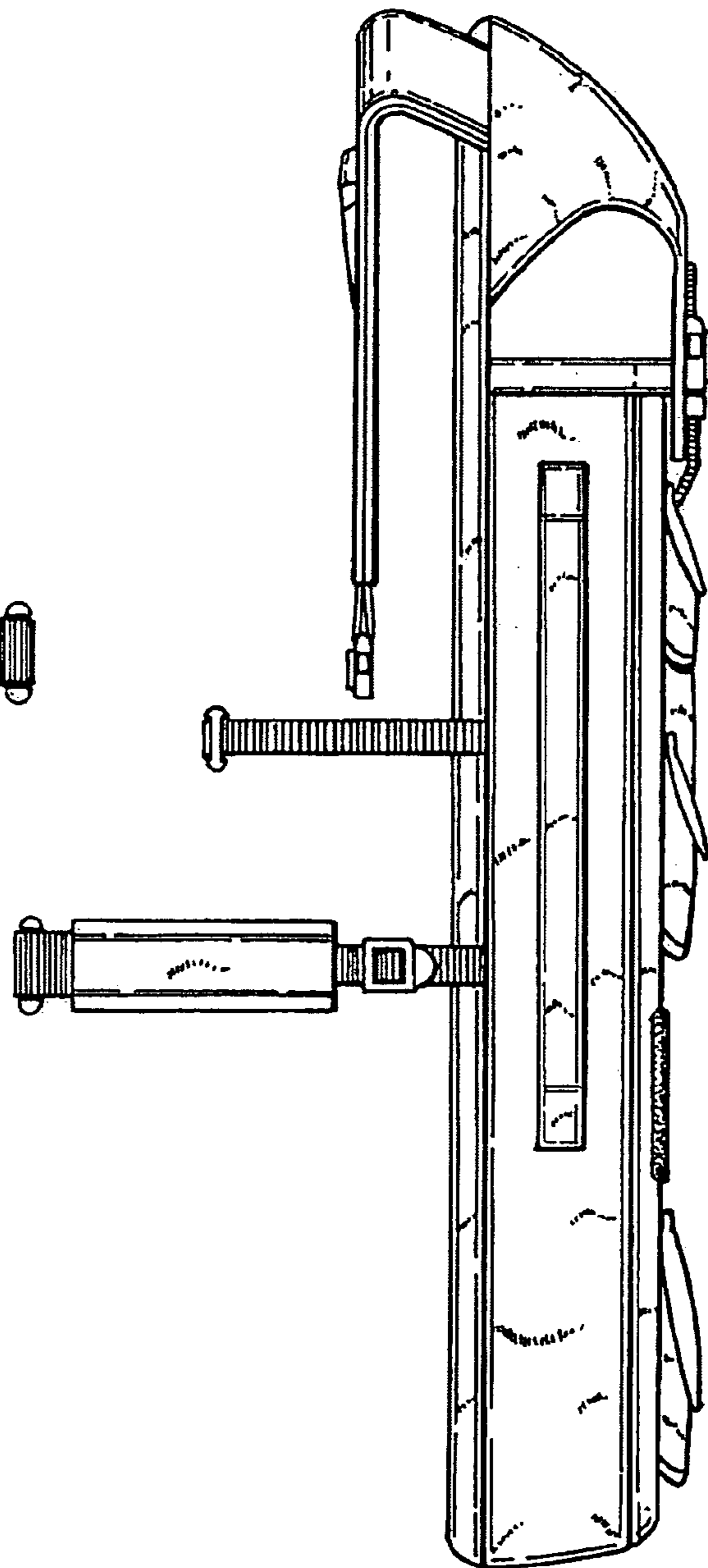


Fig. 4

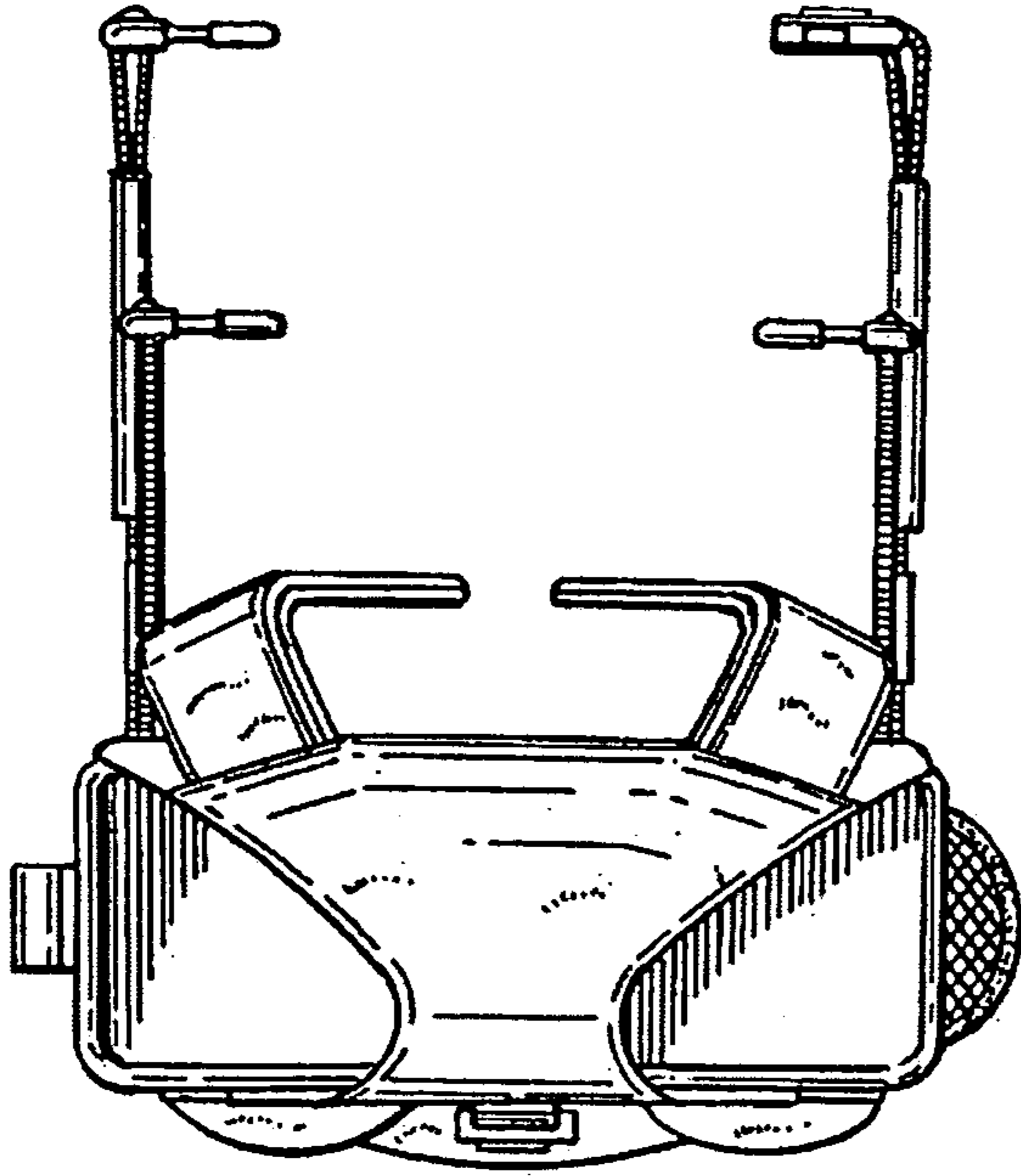


Fig. 5

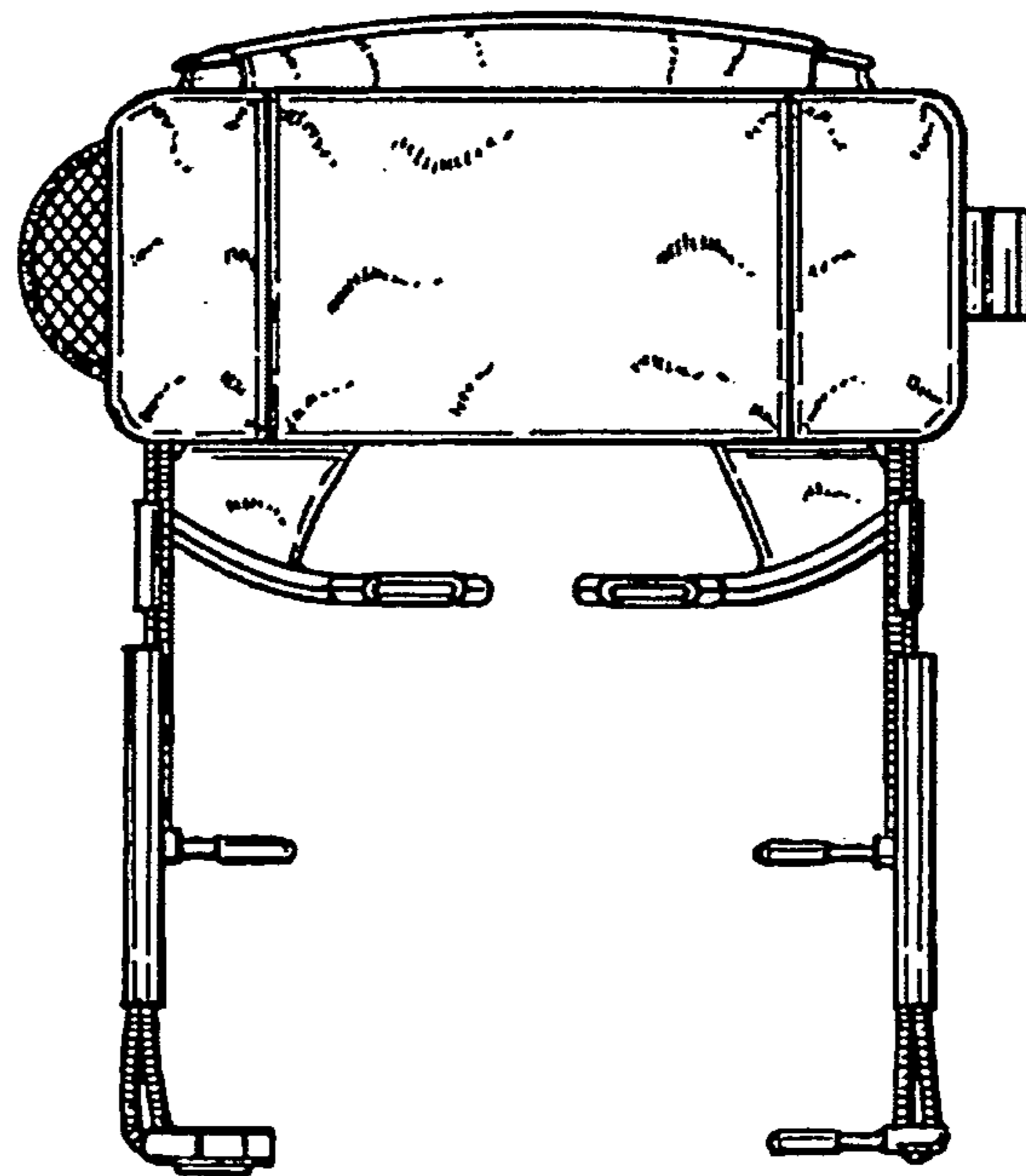


Fig. 6