



US00D607638S

(12) **United States Design Patent**
Hensley et al.

(10) **Patent No.:** **US D607,638 S**
(45) **Date of Patent:** **** Jan. 12, 2010**

(54) **COUPLED BAGS**

(76) Inventors: **Patrick L. Hensley**, 11911 Brighton La.,
Meadows Place, TX (US) 77477;
Andrew S. Washam, 11911 Brighton
La., Meadows Place, TX (US) 77477

(**) Term: **14 Years**

(21) Appl. No.: **29/329,364**

(22) Filed: **Dec. 12, 2008**

(51) **LOC (9) Cl.** **03-01**

(52) **U.S. Cl.** **D3/231; D3/260**

(58) **Field of Classification Search** **D3/217,**
D3/231, 254, 260-261, 290; 224/429-30
See application file for complete search history.

(56) **References Cited**

U.S. PATENT DOCUMENTS

501,821 A *	7/1893	Browne	224/582
1,198,202 A	9/1916	Drinkard		
2,298,694 A	10/1942	Haislip		
2,533,850 A	12/1950	Syracuse		
2,709,544 A	5/1955	Barringer		
2,813,602 A	11/1957	MacArthur, Jr.		
3,282,482 A	11/1966	Scharsu		
D234,326 S	2/1975	Kato		
4,258,869 A	3/1981	Hilgendorff		
D272,428 S *	1/1984	Kelley	D12/409
D291,262 S *	8/1987	Colby	D3/230
4,756,455 A	7/1988	Kitner et al.		
4,878,606 A	11/1989	Miller		
5,129,560 A	7/1992	Herman		

5,402,744 A	4/1995	Matamoros		
5,603,441 A	2/1997	Easter		
5,628,436 A	5/1997	Jones et al.		
5,630,536 A	5/1997	Bugnaski		
5,810,230 A *	9/1998	Nutto	224/417
D400,353 S *	11/1998	Callanan	D3/254
D401,056 S *	11/1998	Akutsu	D3/231
D404,910 S *	2/1999	Schober	D3/216
5,890,639 A	4/1999	Hancock et al.		
D419,299 S *	1/2000	Bauer	D3/279
6,267,276 B1	7/2001	Cook		
6,328,146 B1	12/2001	Siwak		
6,932,256 B2	8/2005	Hale et al.		
7,568,600 B2 *	8/2009	Godshaw et al.	224/429
2005/0016808 A1 *	1/2005	Sapyta	190/107

* cited by examiner

Primary Examiner—Philip S Hyder

Assistant Examiner—Roselyne Cody

(74) *Attorney, Agent, or Firm*—J. Scott McBride; The
McBride Law Firm

(57) **CLAIM**

The ornamental design for coupled bags, as shown.

DESCRIPTION

FIG. 1 is a perspective view of the coupled bags.

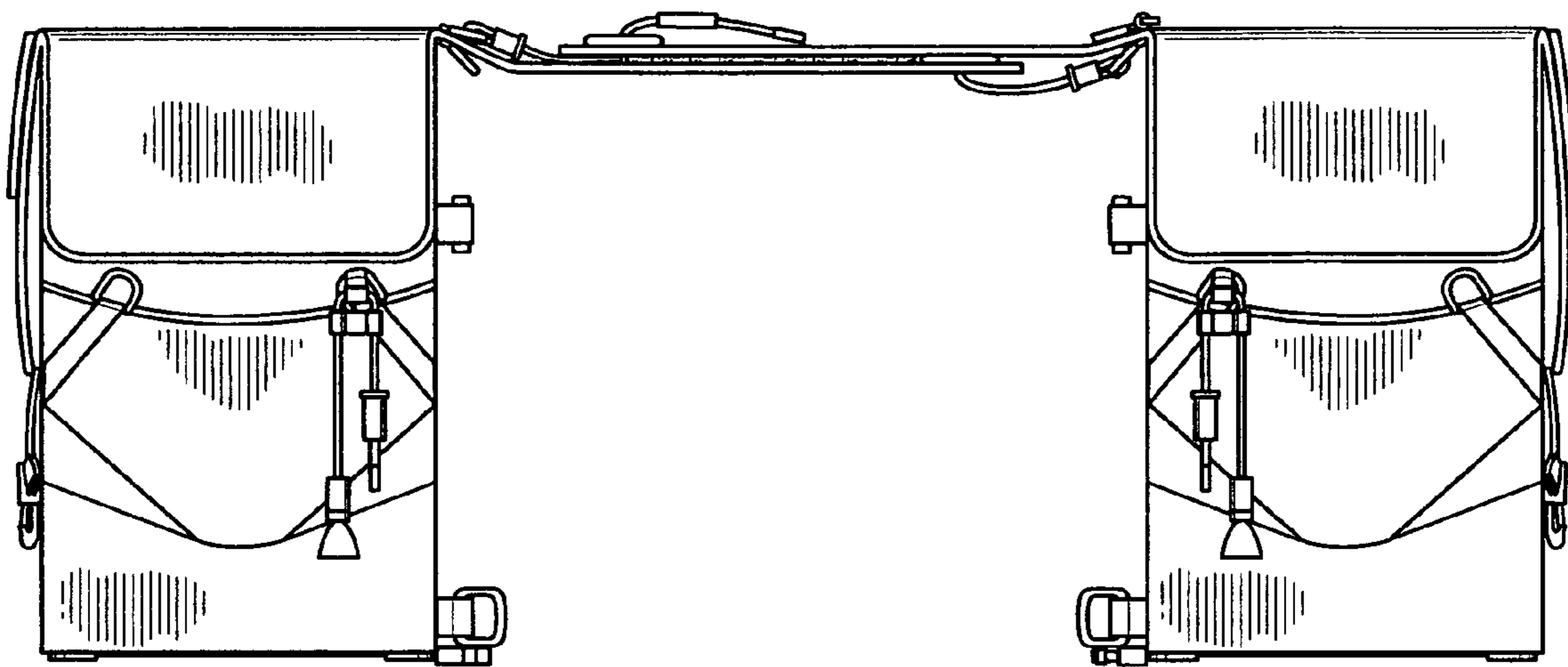
FIG. 2 is a side view of the coupled bags.

FIG. 3 is a front view of one of the bags.

FIG. 4 is a top view of the coupled bags; and,

FIG. 5 is a bottom view of the coupled bags.

1 Claim, 3 Drawing Sheets



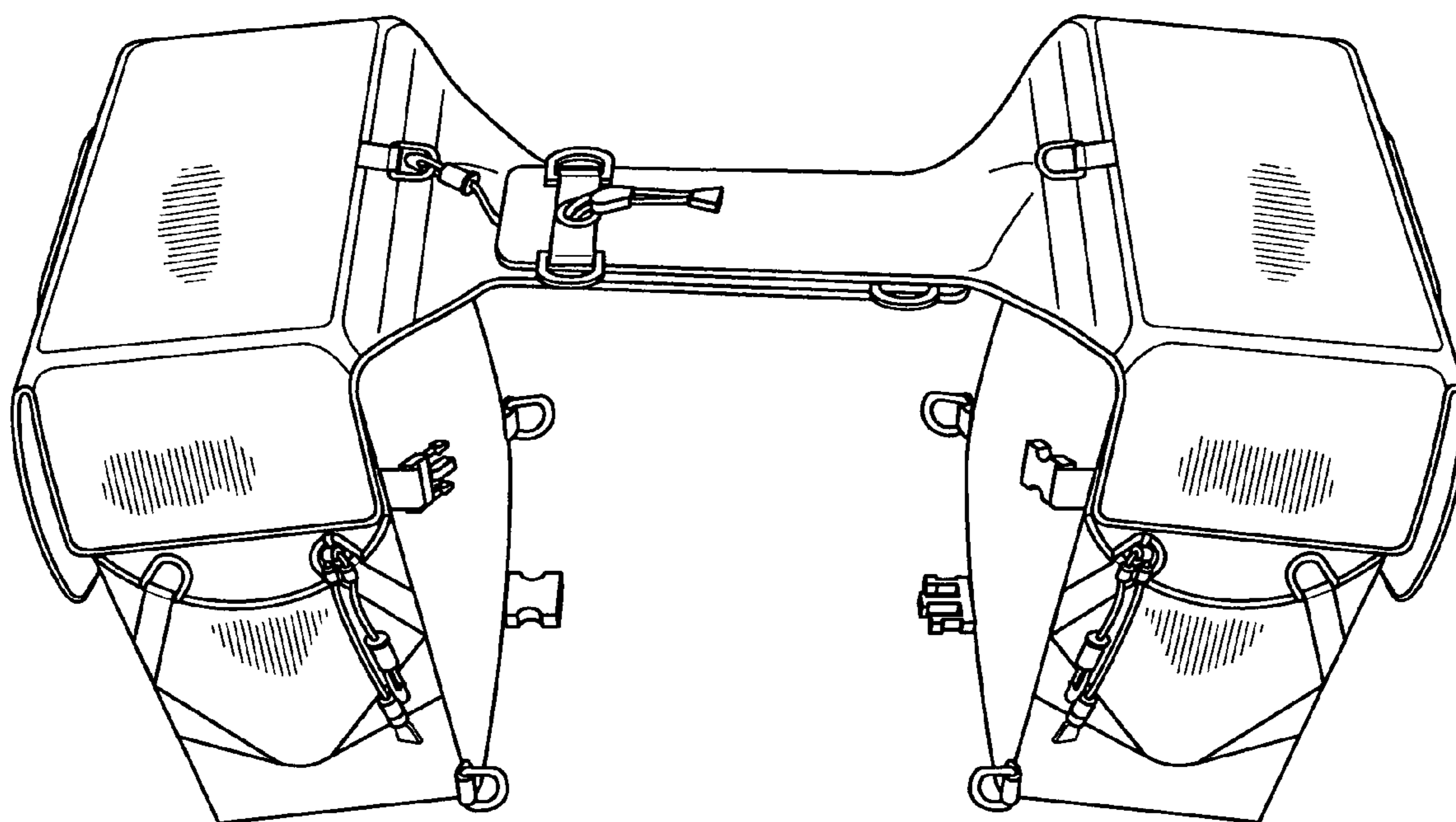


FIG. 1

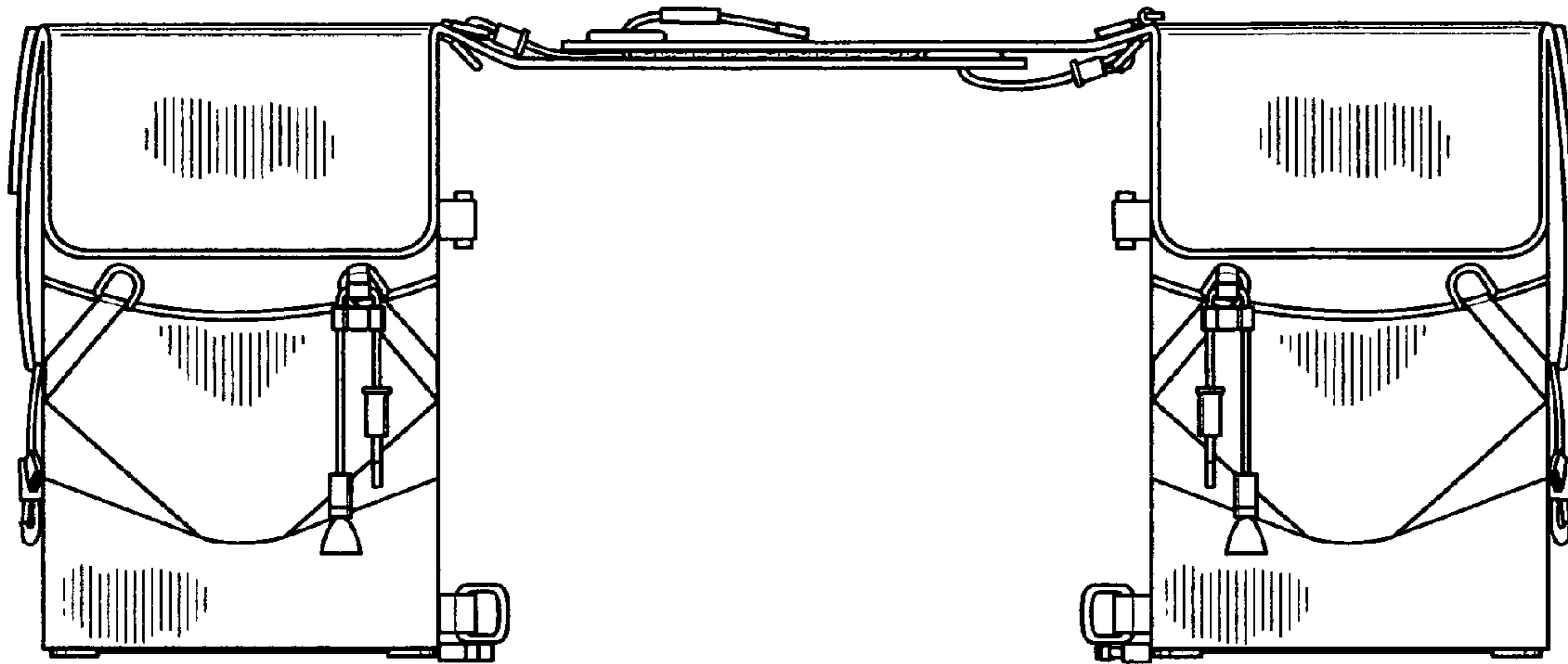


FIG. 2

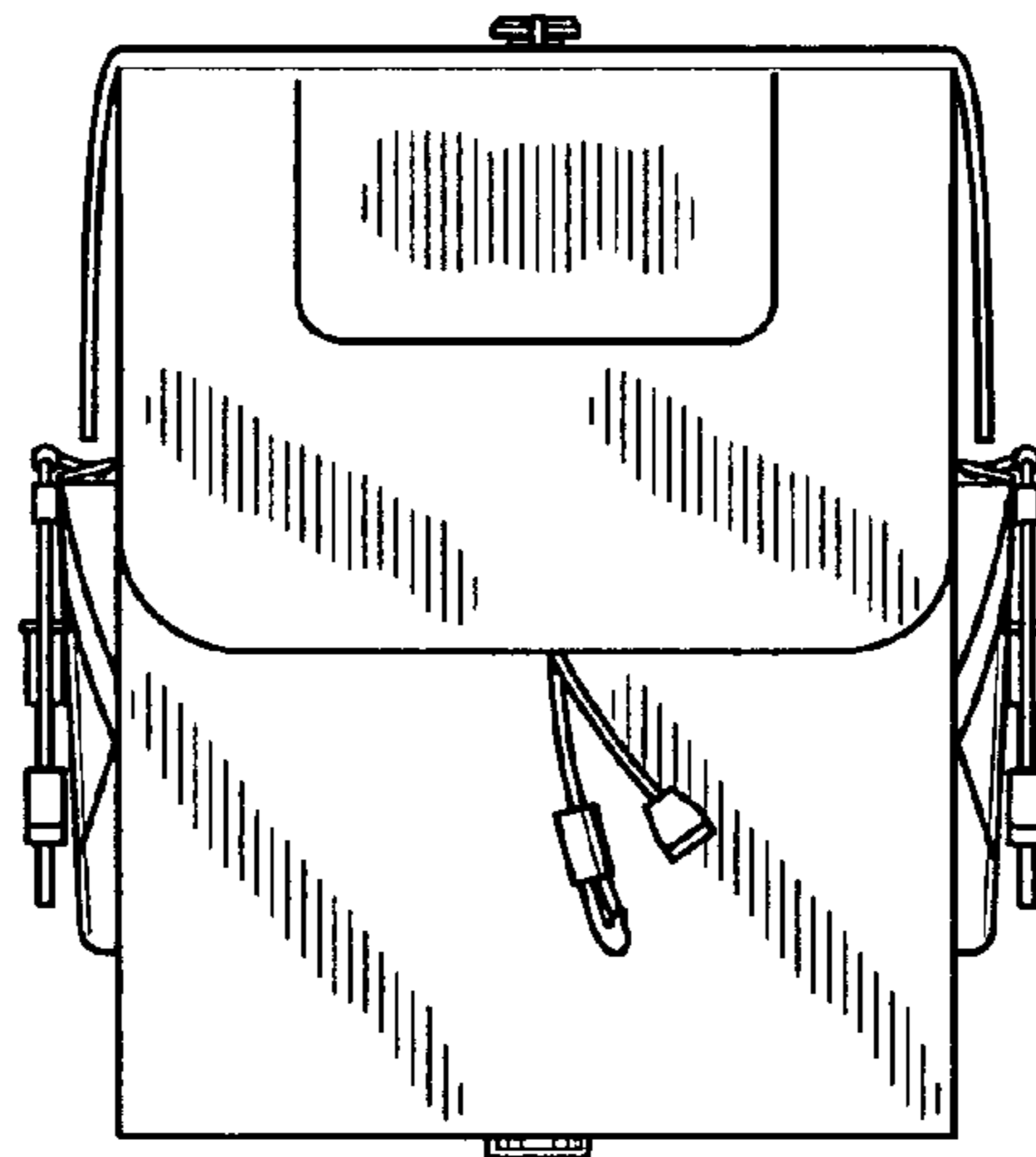


FIG. 3

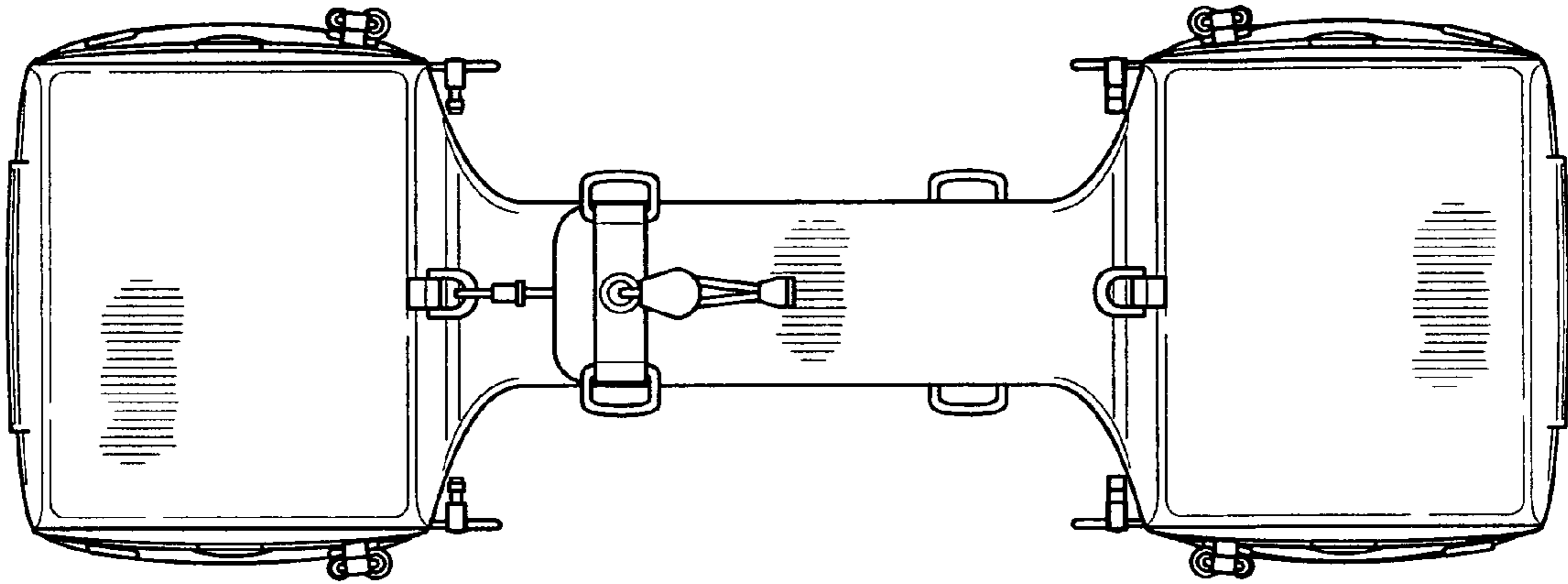


FIG. 4

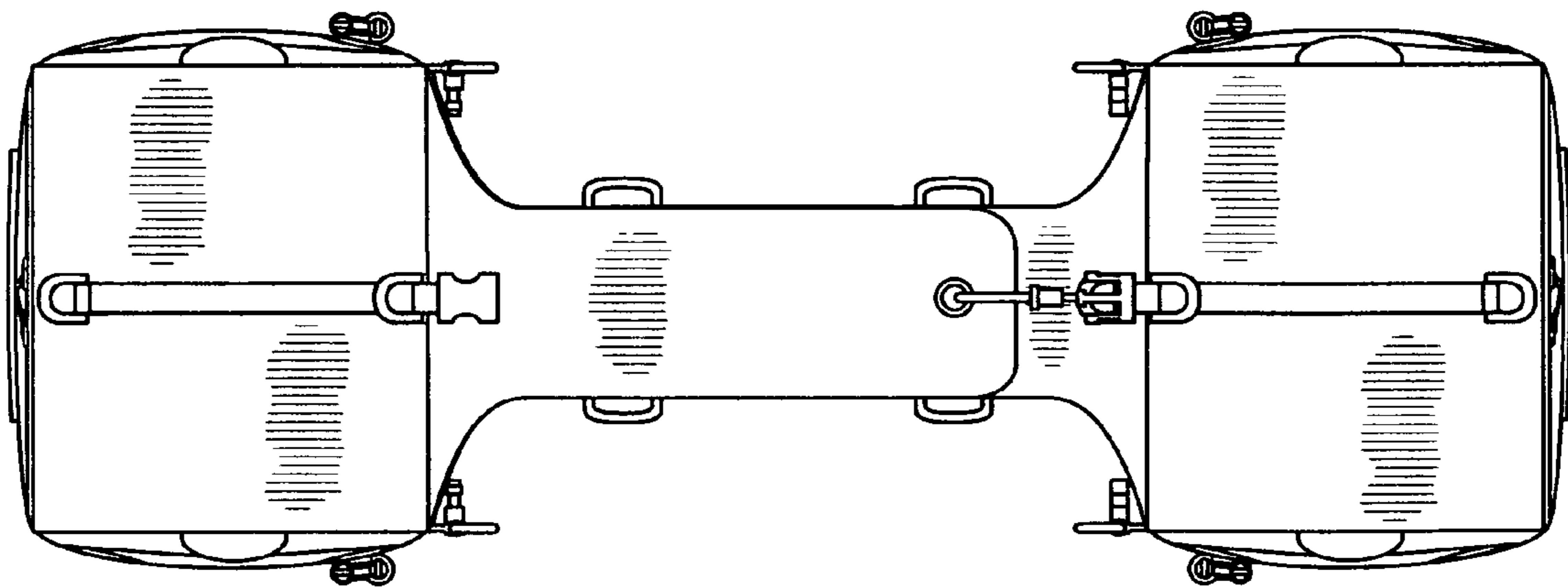


FIG. 5