



US00D607636S

(12) **United States Design Patent**
Chiu

(10) **Patent No.:** **US D607,636 S**

(45) **Date of Patent:** **** Jan. 12, 2010**

(54) **KEY RING**

D478,719 S * 8/2003 Mercuri D3/208

(75) Inventor: **Yi-Chung Chiu**, Taoyuan (TW)

* cited by examiner

(73) Assignee: **Hannspree, Inc.**, Taipei (TW)

Primary Examiner—R. Seifert

(**) Term: **14 Years**

(74) *Attorney, Agent, or Firm*—Ditthavong Mori & Steiner, P.C.

(21) Appl. No.: **29/339,167**

(57) **CLAIM**

(22) Filed: **Jun. 25, 2009**

The ornamental design for a key ring, as shown and described.

(51) **LOC (9) Cl.** **03-01**

DESCRIPTION

(52) **U.S. Cl.** **D3/208**

FIG. 1 is a front perspective view of a key ring showing my new design;

(58) **Field of Classification Search** D33/207–212;

FIG. 2 is a front elevational view thereof;

D11/31–33, 44, 48–51, 66, 79–85, 94–116;

FIG. 3 is a rear elevational view thereof;

70/456 R, 456 B, 457–460; 24/3.6; D13/168;

FIG. 4 is a left side elevational view thereof;

362/116; D8/348

FIG. 5 is a right side elevational view thereof;

See application file for complete search history.

FIG. 6 is a top plan view thereof; and,

(56) **References Cited**

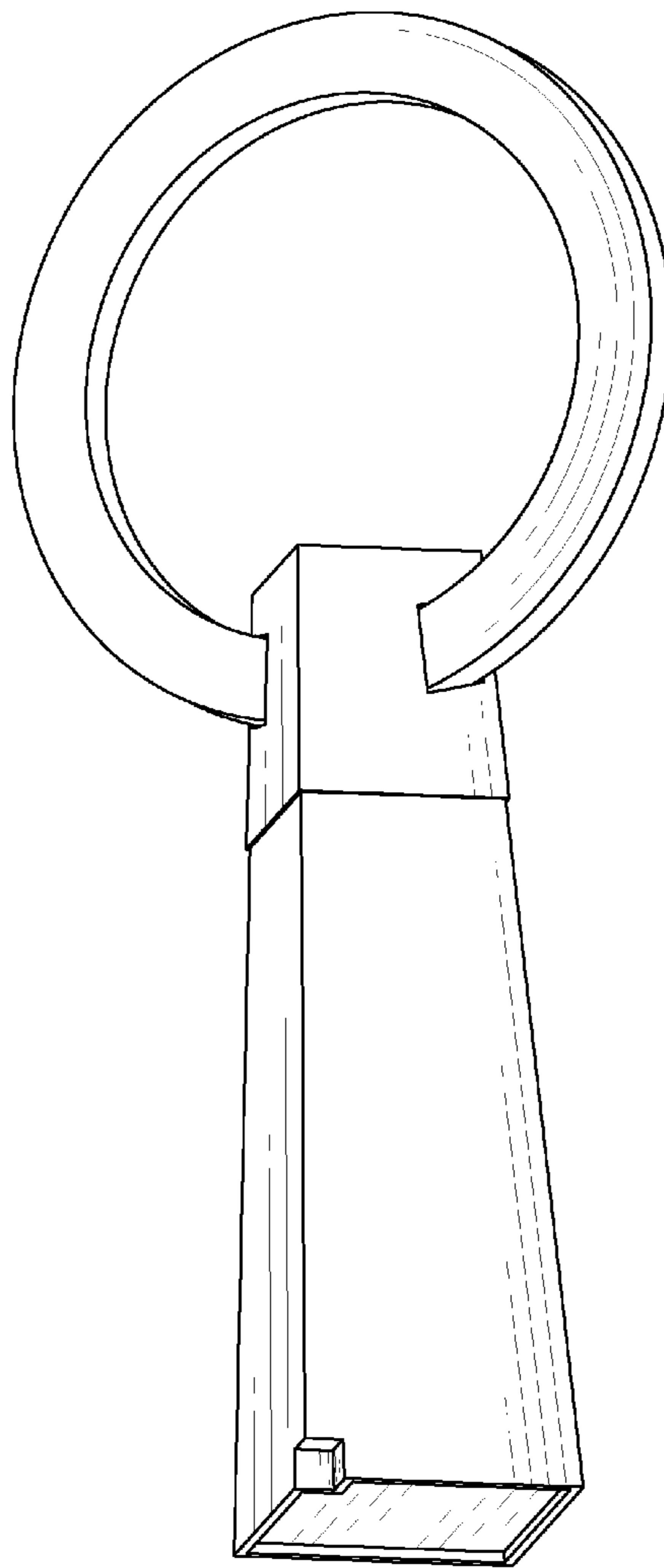
FIG. 7 is a bottom plan view thereof.

U.S. PATENT DOCUMENTS

D320,367 S * 10/1991 Kalbach D11/221

D438,491 S * 3/2001 Odgard D11/221

1 Claim, 7 Drawing Sheets



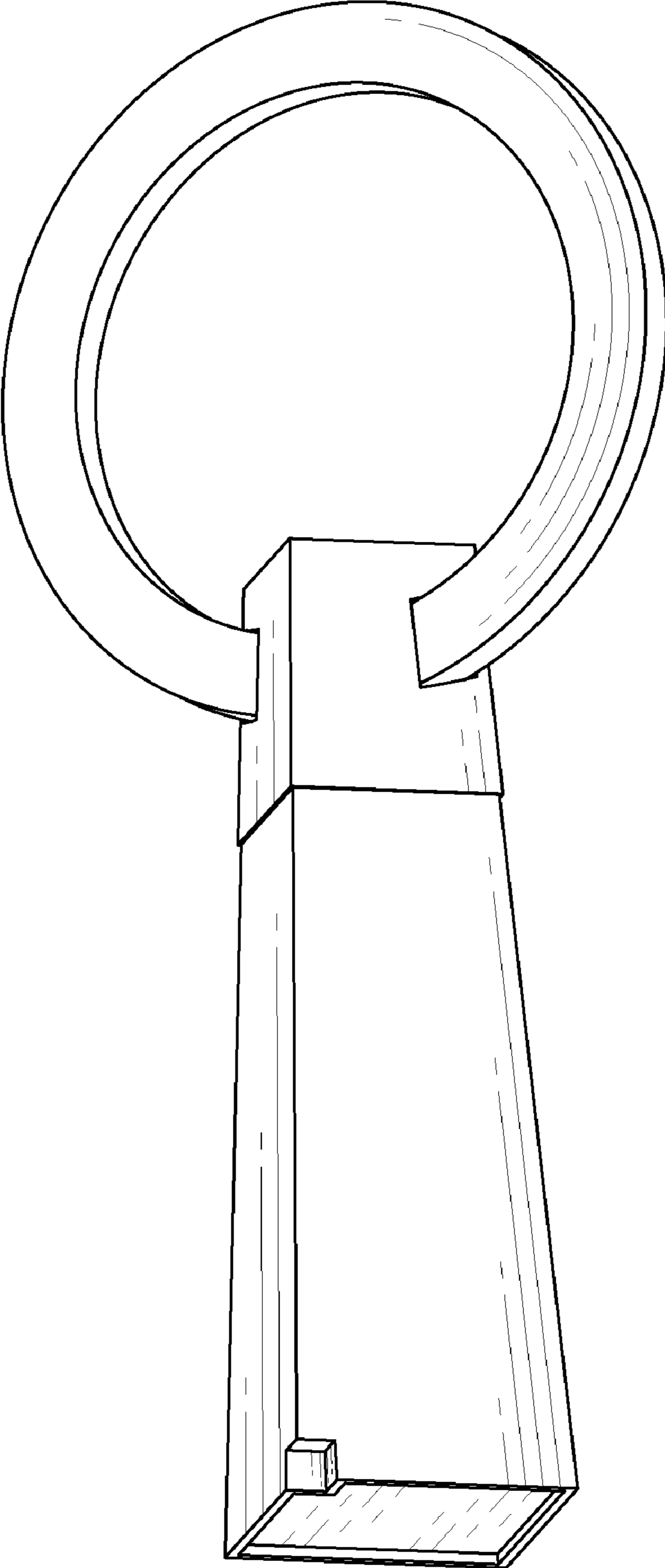


FIG. 1

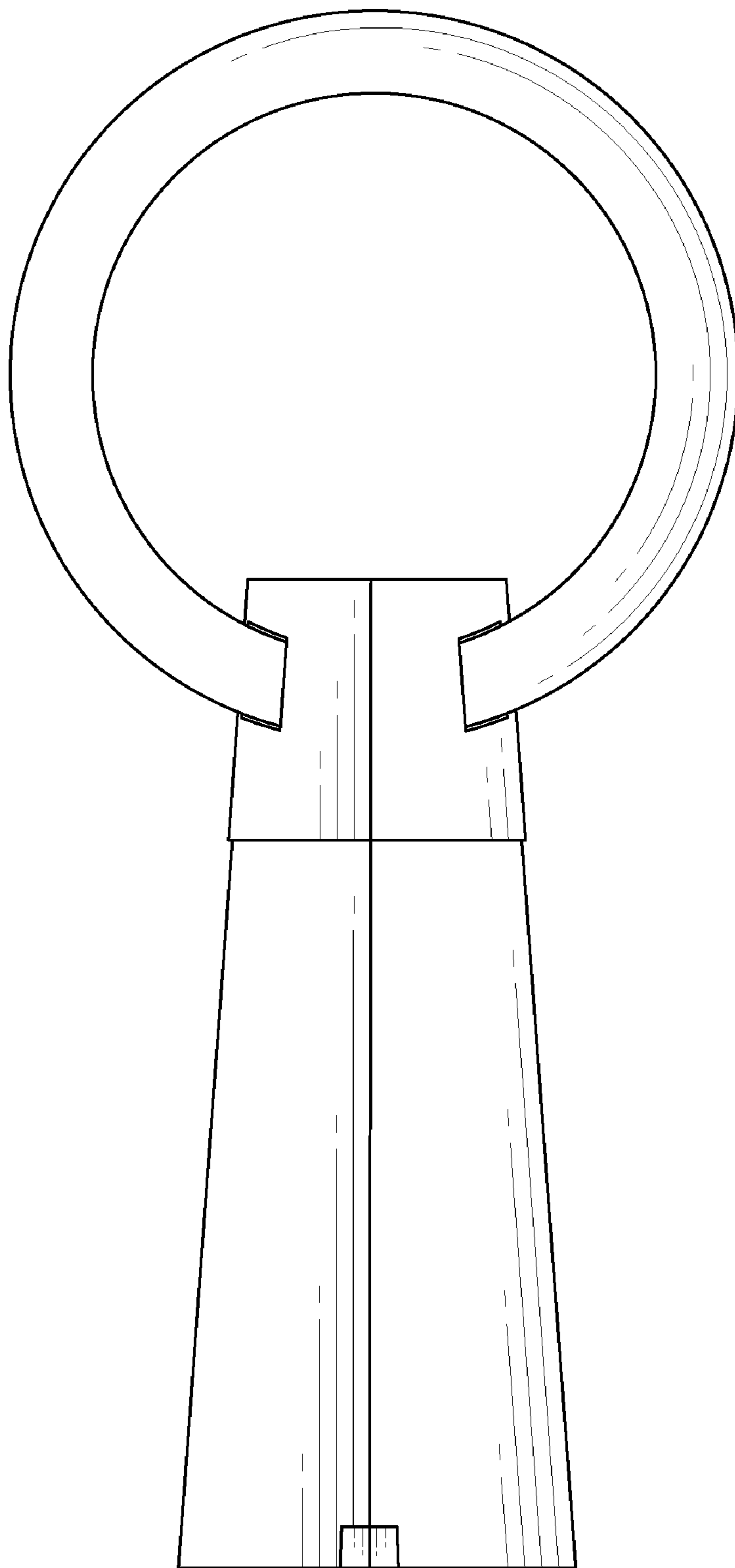


FIG. 2

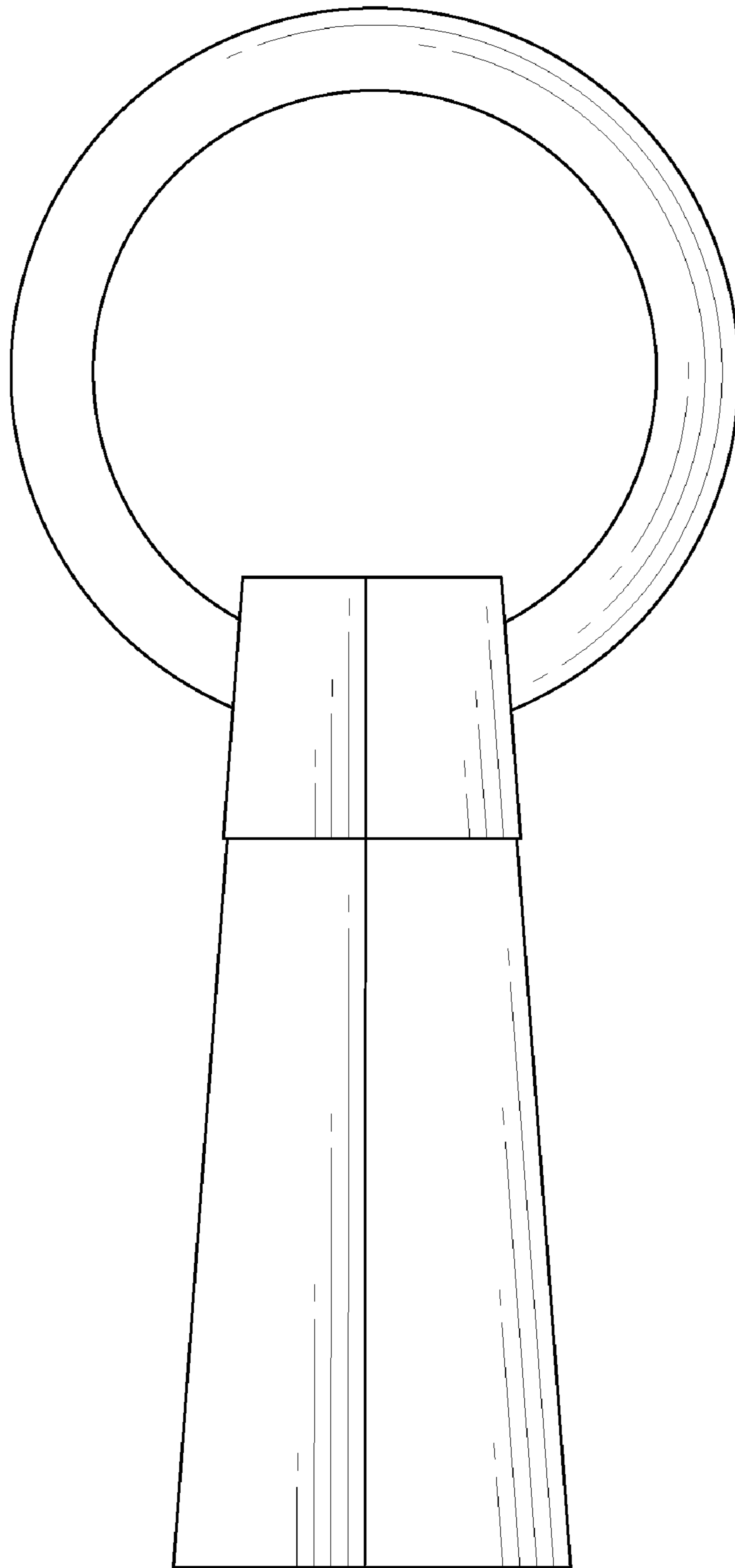


FIG. 3

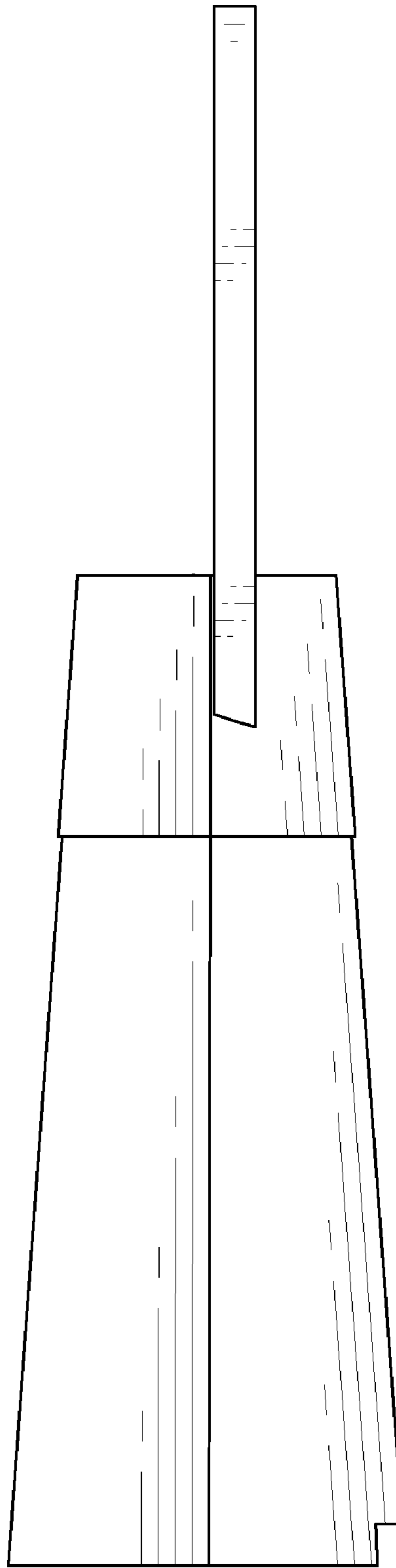


FIG. 4

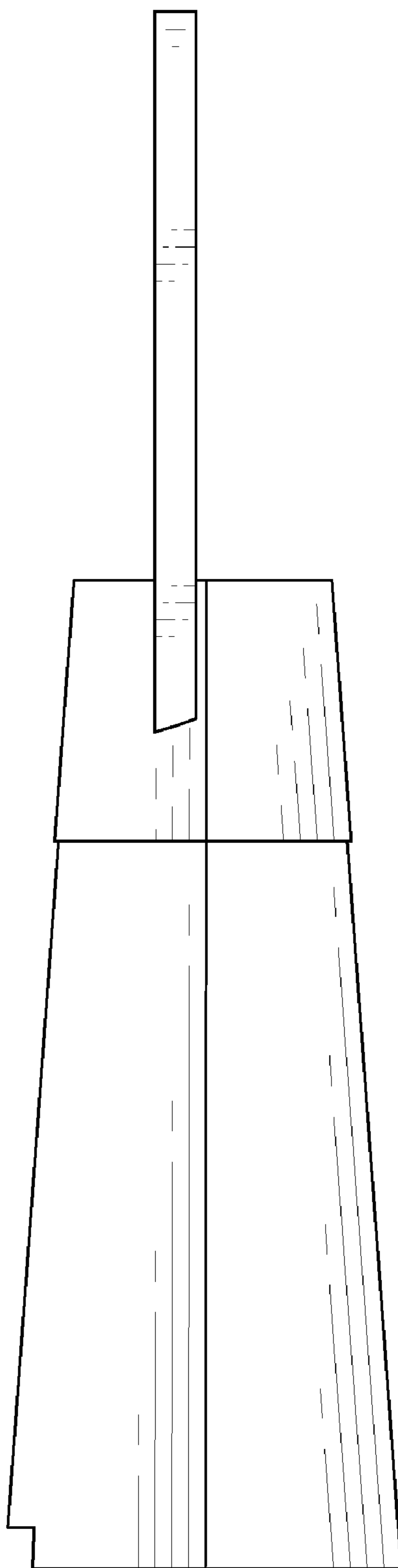


FIG. 5

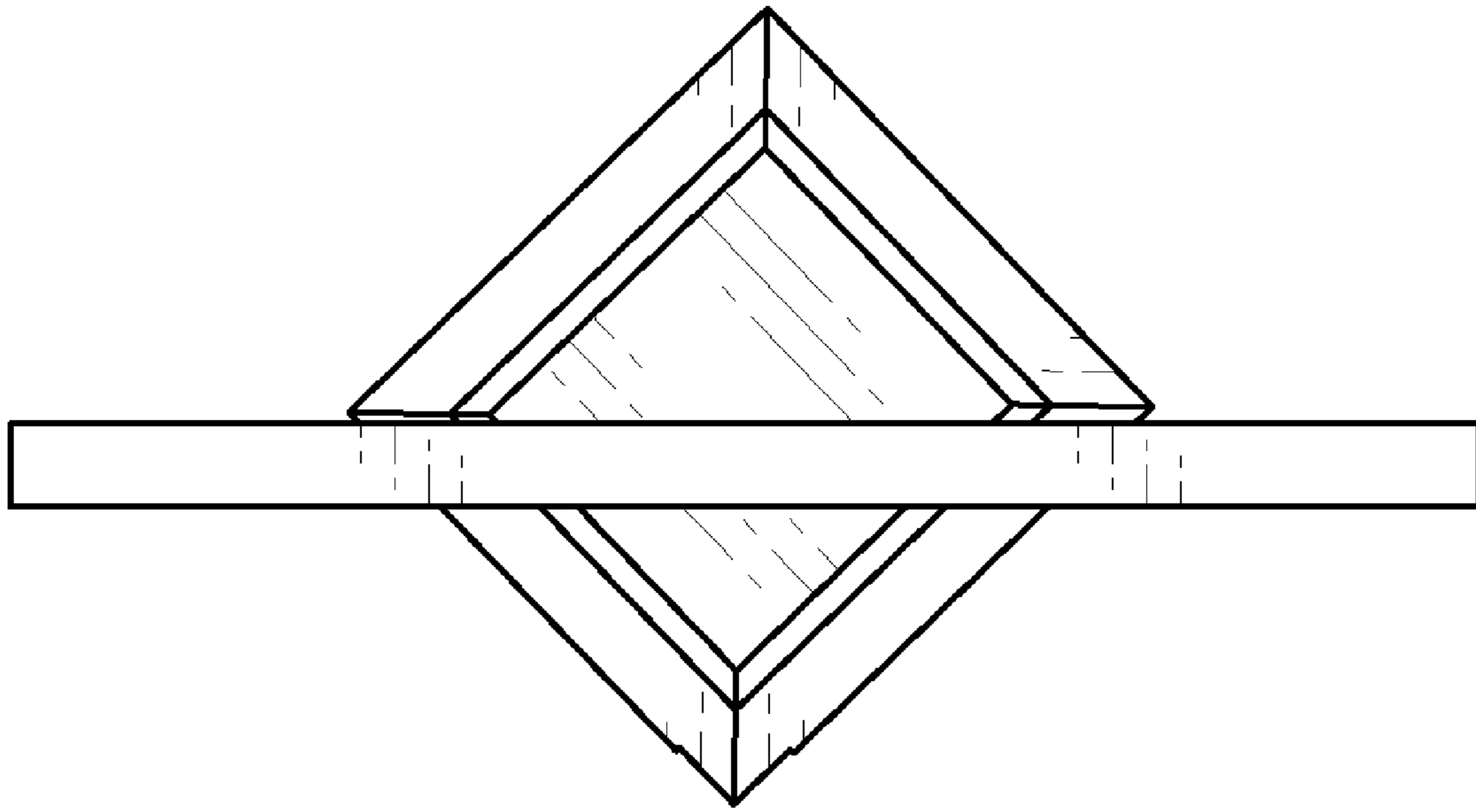


FIG. 6

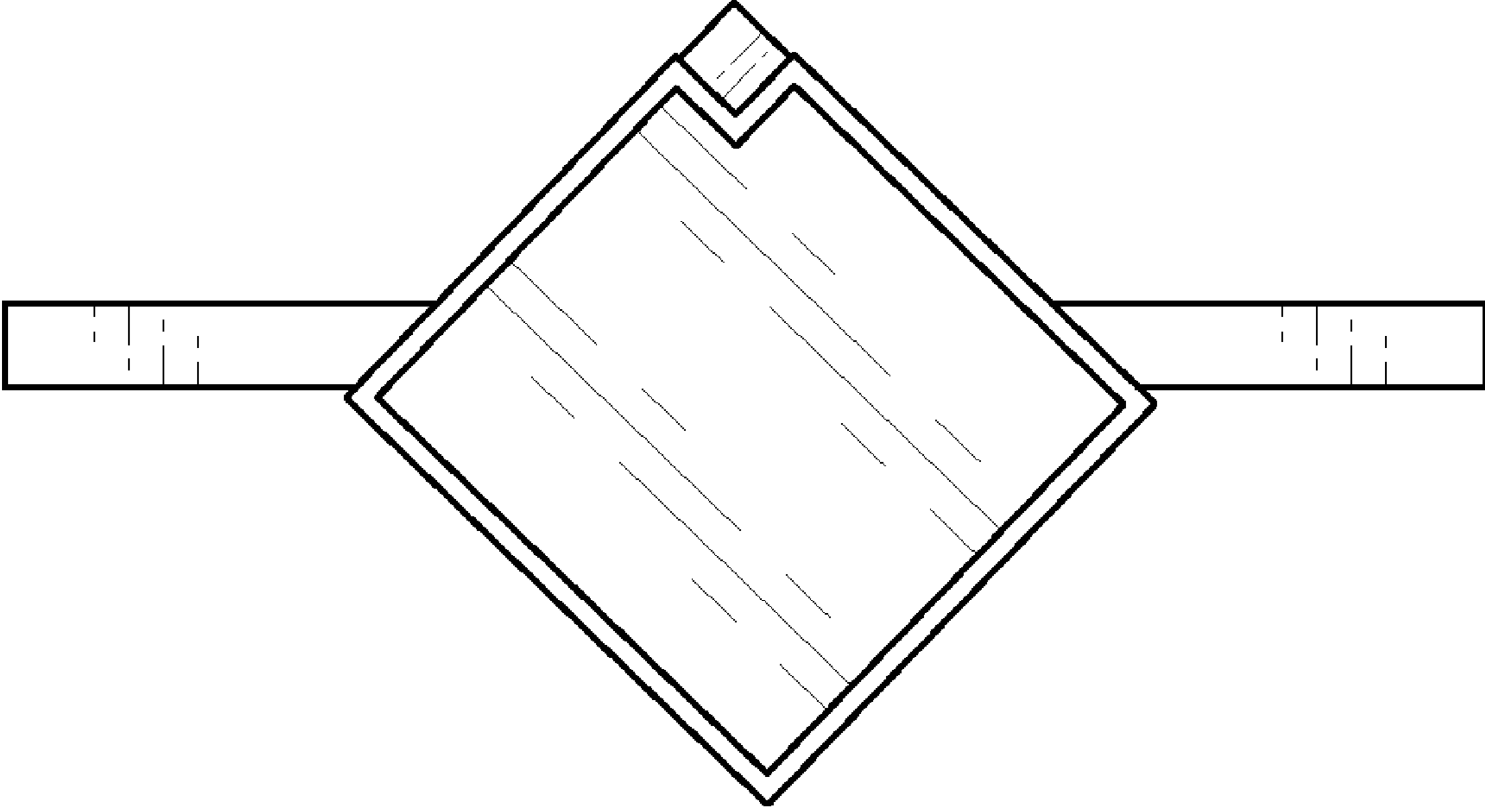


FIG. 7