



US00D607631S

(12) **United States Design Patent**
Carbajal

(10) **Patent No.:** **US D607,631 S**

(45) **Date of Patent:** **** Jan. 12, 2010**

(54) **SHOE SLIPPER**

(76) **Inventor:** **Paul Carbajal**, 6502 Oklahoma Dr.,
Vancouver, WA (US) 98661

(**) **Term:** **14 Years**

(21) **Appl. No.:** **29/335,681**

(22) **Filed:** **Apr. 20, 2009**

(51) **LOC (9) Cl.** **02-04**

(52) **U.S. Cl.** **D2/909; D2/919**

(58) **Field of Classification Search** D2/896,
D2/909-911, 914, 946, 969; D24/190-192,
D24/189; 36/73, 112-114, 83, 87, 45, 2 R,
36/7.1 R, 7.2-7.4, 72 R, 77 R; 602/60, 61,
602/67, 30, 11

See application file for complete search history.

(56) **References Cited**

U.S. PATENT DOCUMENTS

371,738	A	*	10/1887	Clark et al.	36/7.1 R
838,751	A	*	12/1906	Roberts	36/7.3
3,616,552	A	*	11/1971	Kniffin	36/7.3
D326,949	S	*	6/1992	Beckley	D2/909
D385,092	S	*	10/1997	Holden	D2/909
D405,243	S	*	2/1999	Shoemaker	D2/909

D446,912	S	*	8/2001	Cockrell	D2/909
D449,153	S	*	10/2001	Rork et al.	D2/913
D516,278	S	*	3/2006	Murray et al.	D2/909
D519,721	S	*	5/2006	Castillo	D2/909

* cited by examiner

Primary Examiner—Stella M Reid

Assistant Examiner—Rashida C McCoy

(74) *Attorney, Agent, or Firm*—Rylander & Associates PC;
Kurt M. Rylander

(57) **CLAIM**

The ornamental design for shoe slipper, as shown and described.

DESCRIPTION

FIG. 1 is a perspective view of a shoe slipper, showing my new design;

FIG. 2 is a front view thereof;

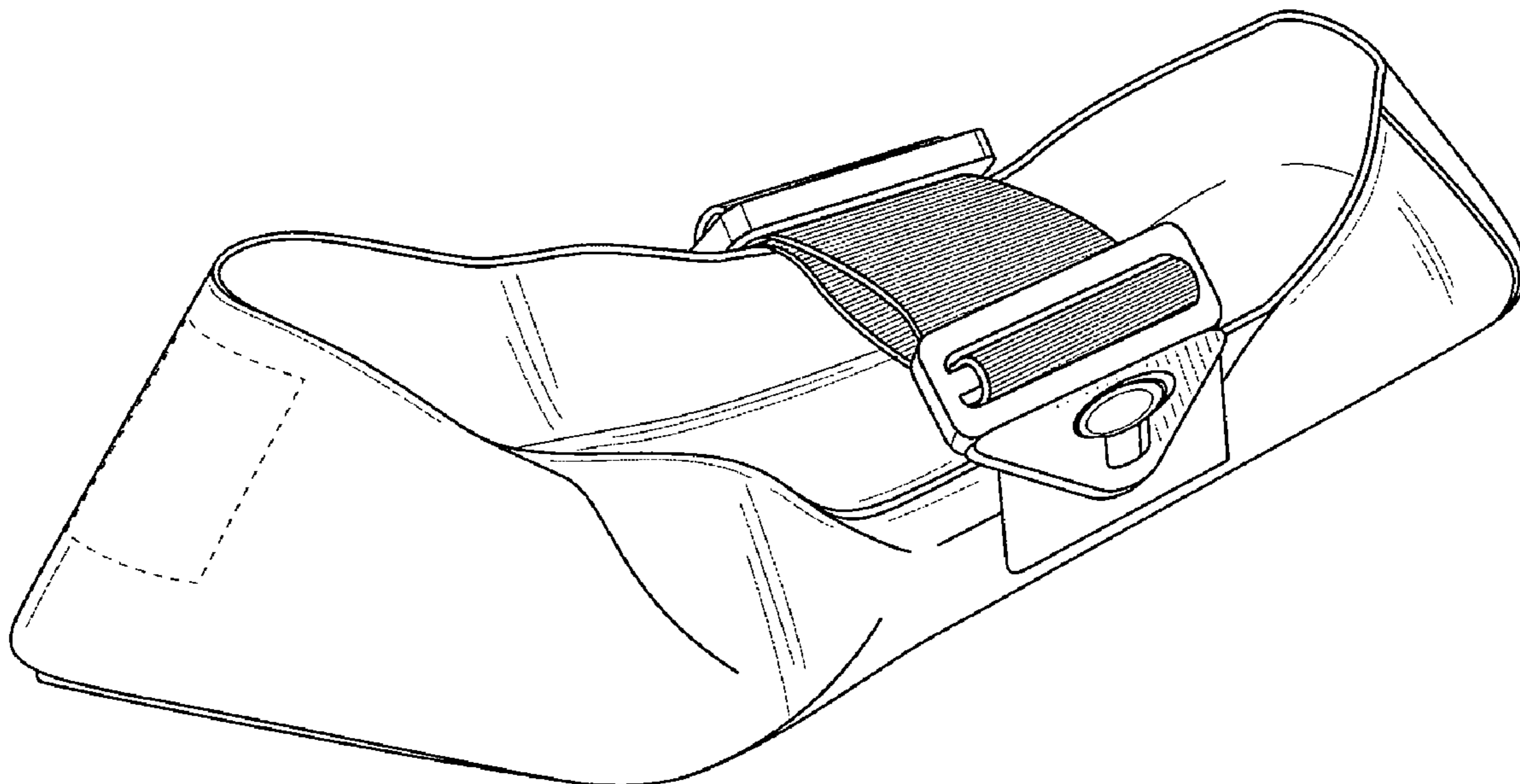
FIG. 3 is a rear view thereof;

FIG. 4 is a side view thereof;

FIG. 5 is a top plan view thereof; and,

FIG. 6 is a bottom plan view thereof.

1 Claim, 2 Drawing Sheets



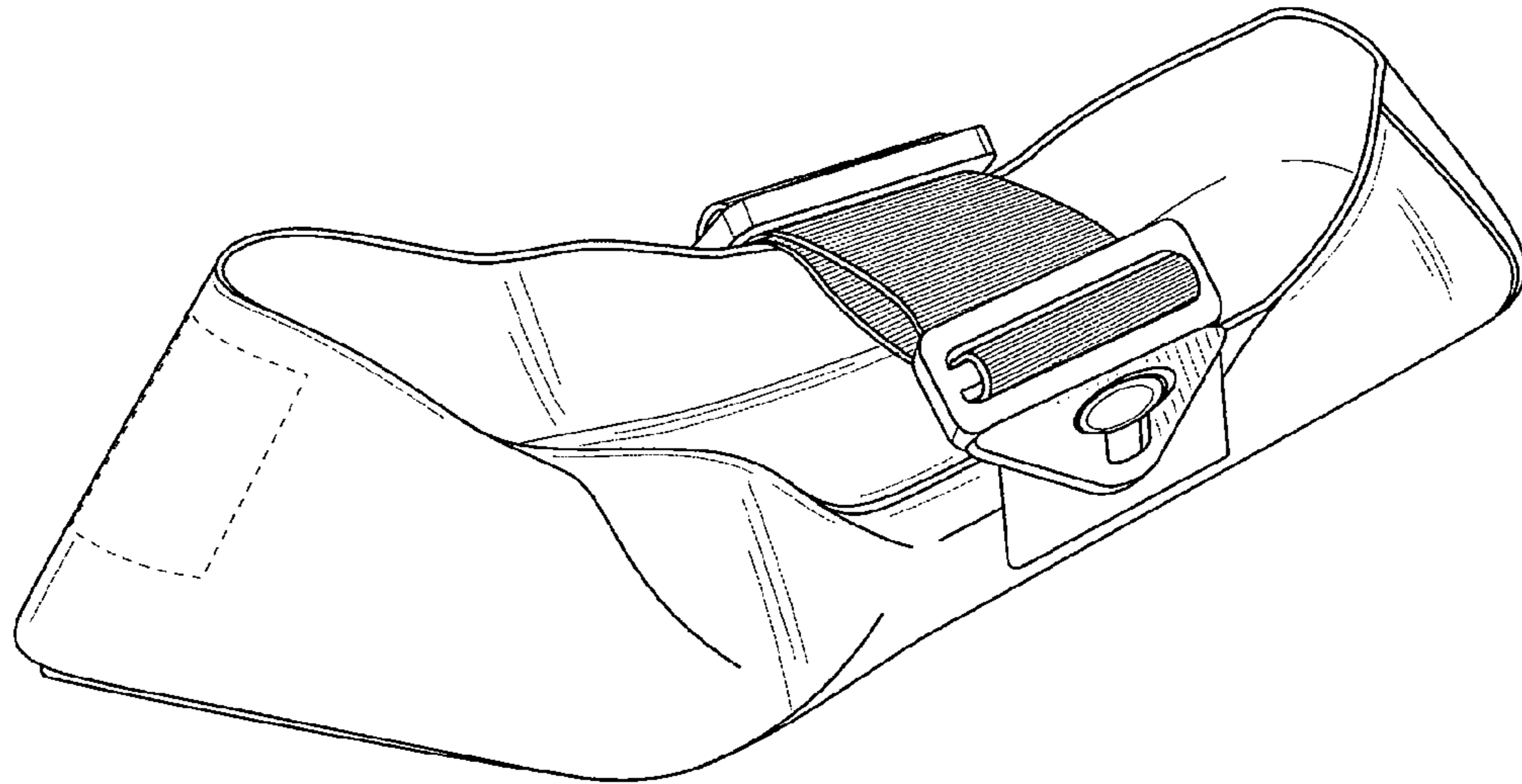


FIG. 1

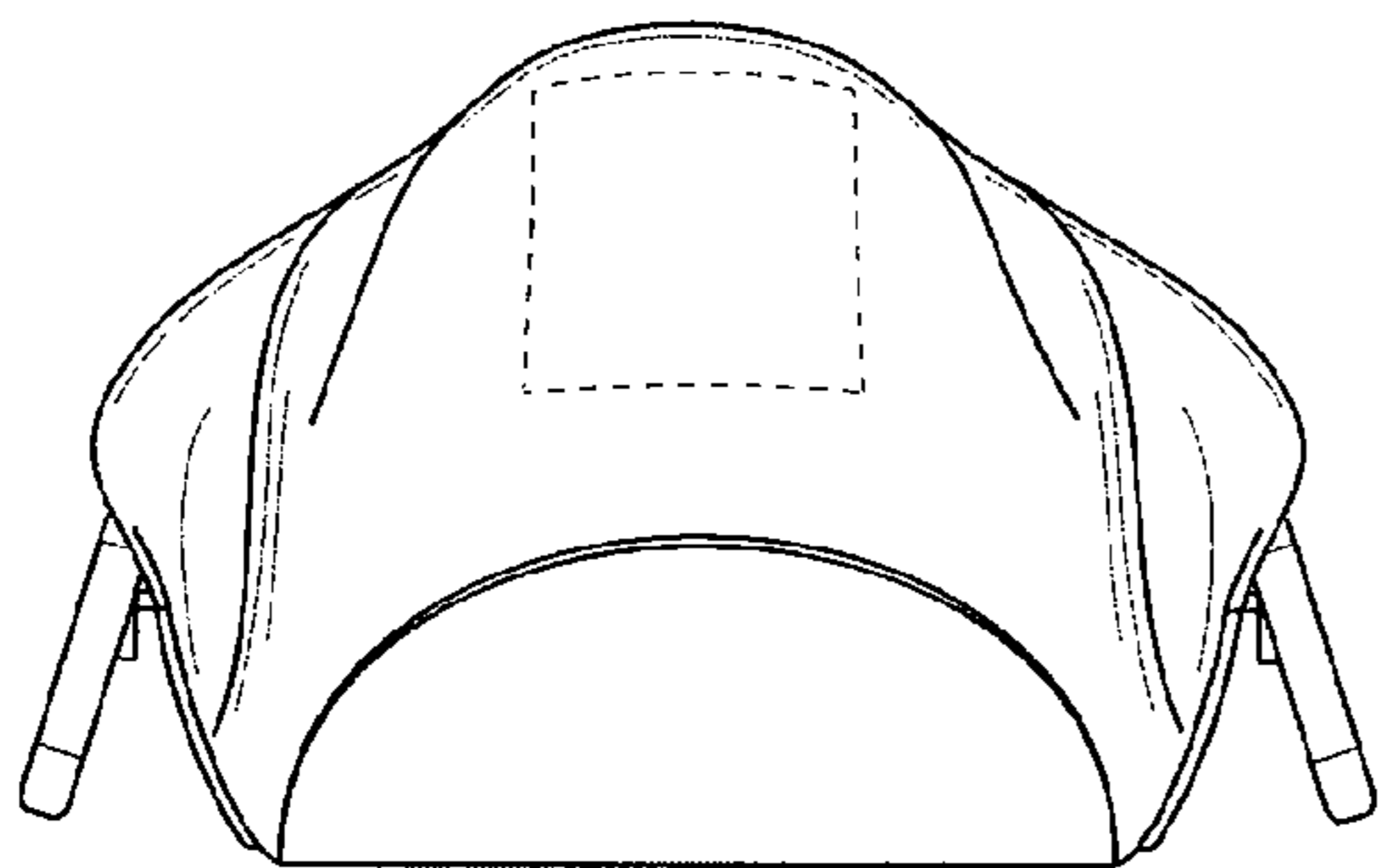


FIG. 2

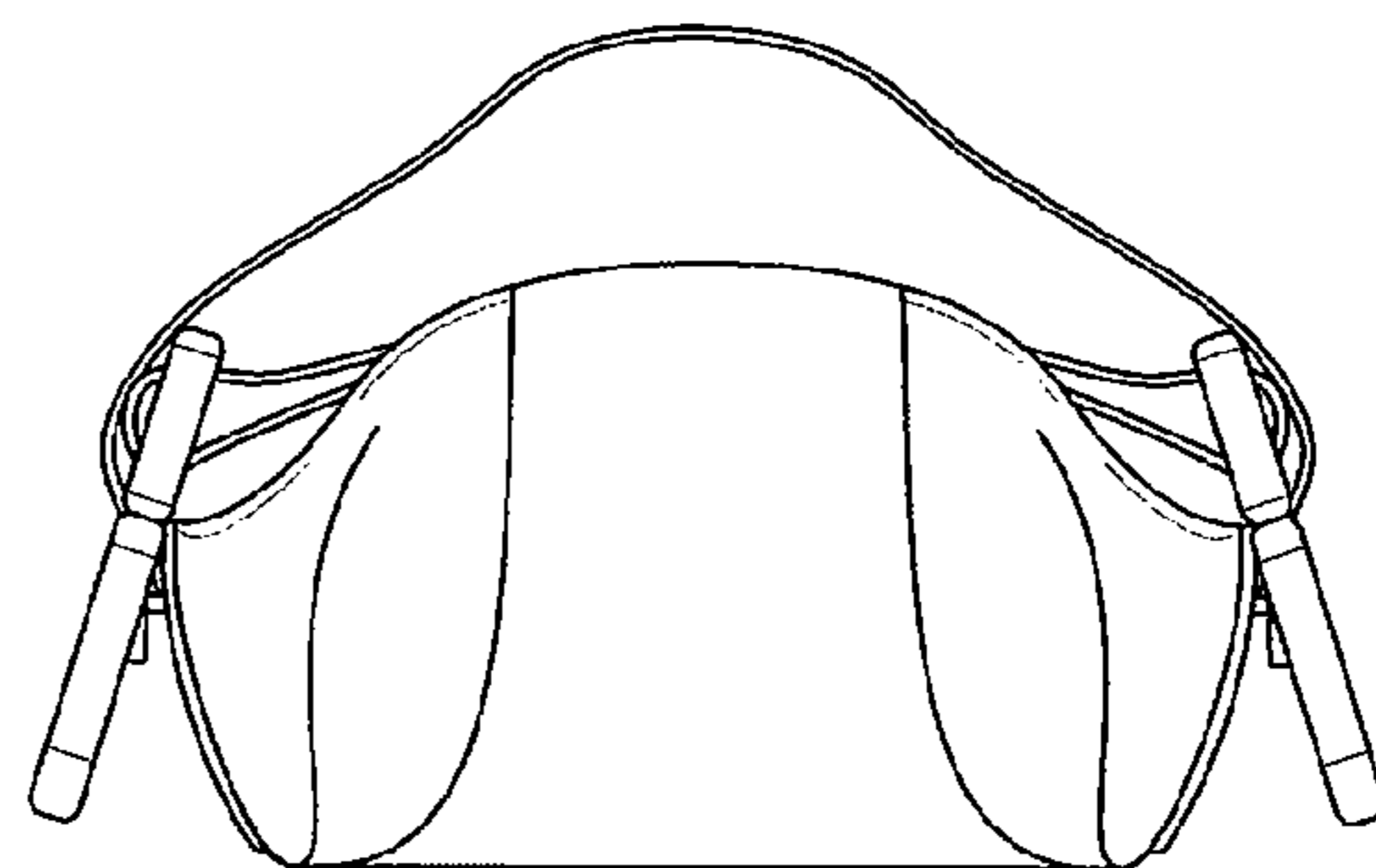


FIG. 3

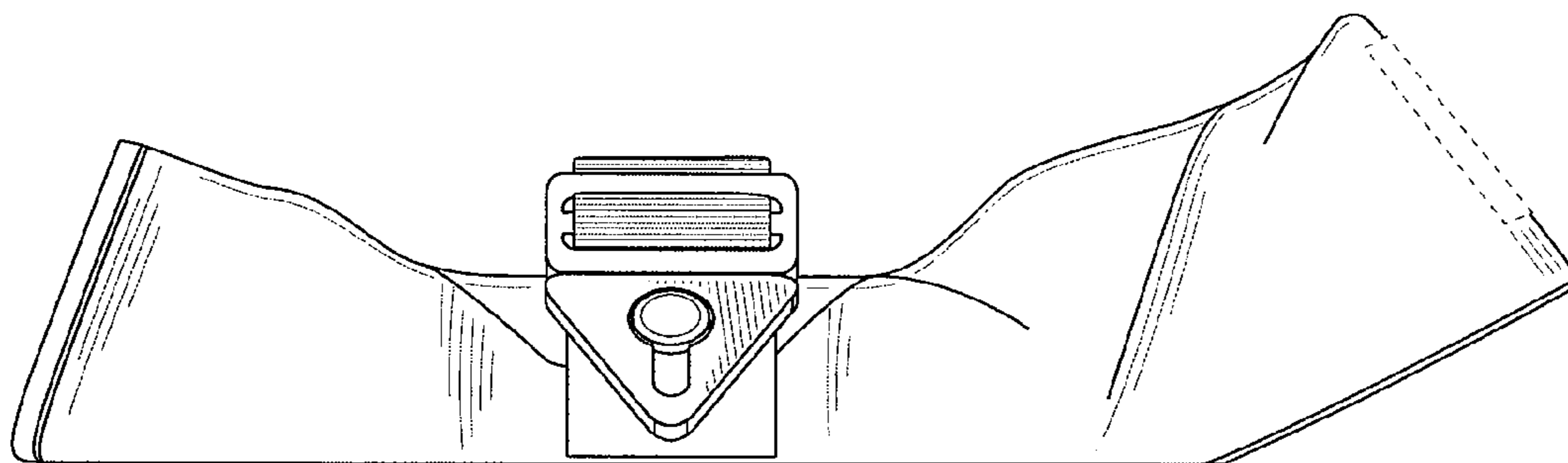


FIG. 4

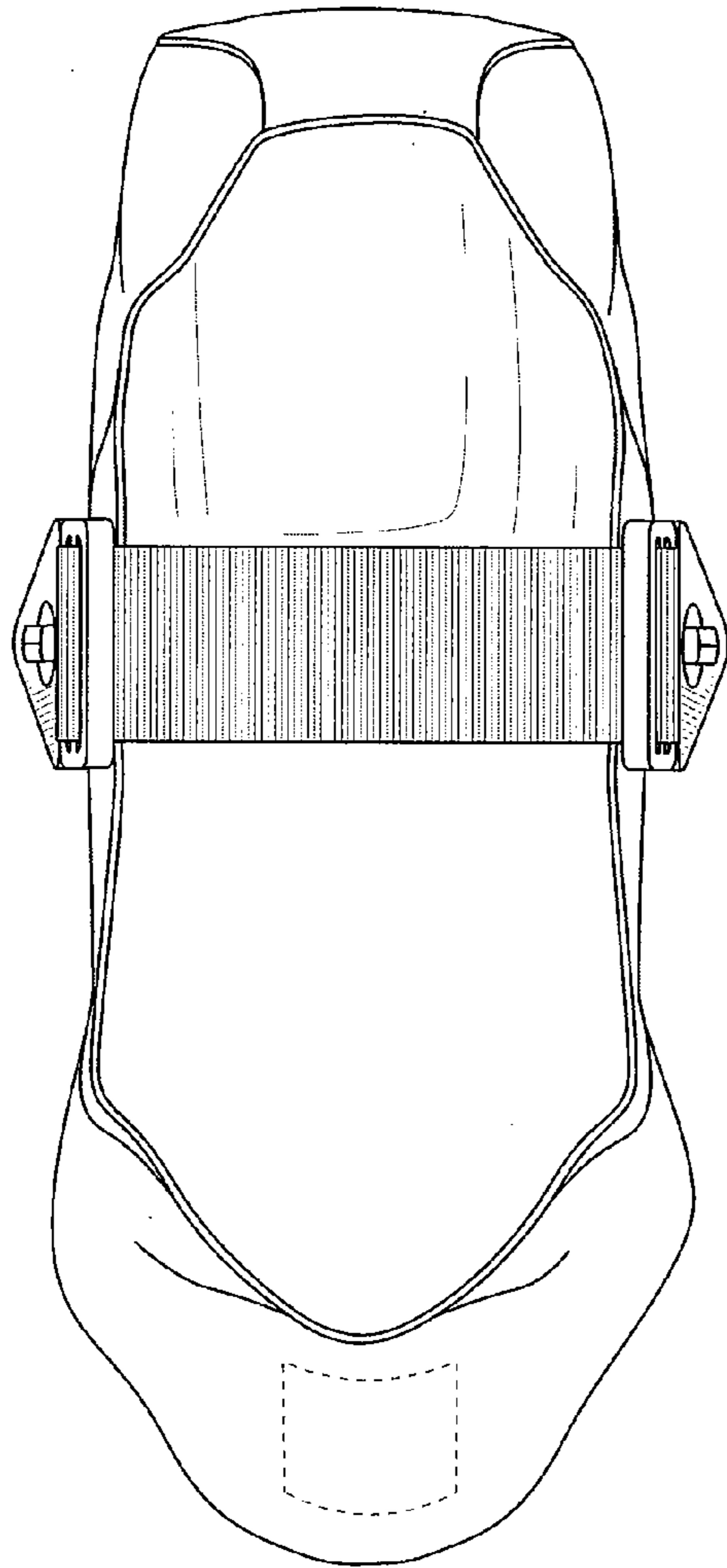


FIG. 5

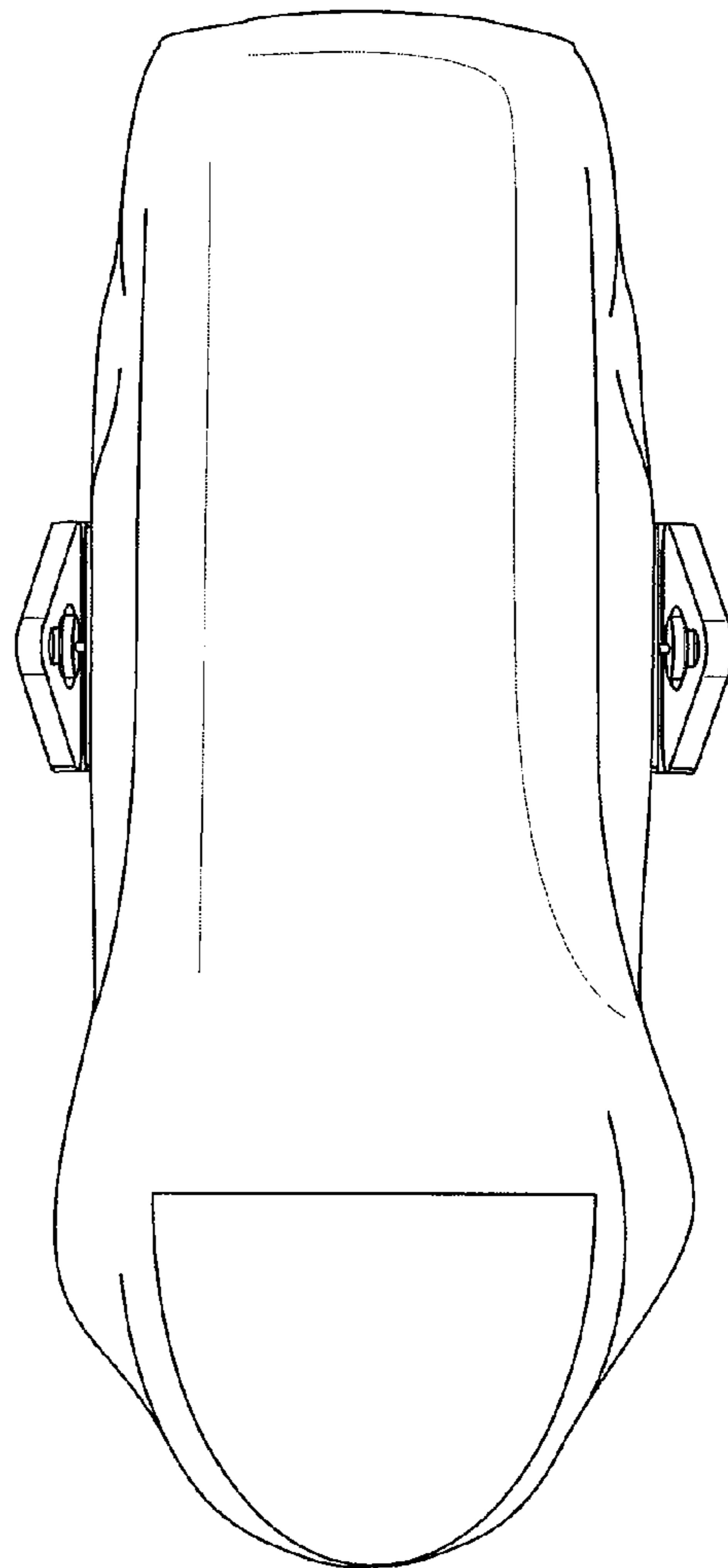


FIG. 6