



US00D607621S

(12) **United States Design Patent**
Siegler

(10) **Patent No.:** **US D607,621 S**
(45) **Date of Patent:** **** Jan. 5, 2010**

(54) **COMBINED HANDHELD BATTERY OPERATED TOOL CHEST BLOWER AND VACUUM**

(76) Inventor: **Frederick Siegler**, 444 S. Citrus Ave., Los Angeles, CA (US) 90036

(**) Term: **14 Years**

(21) Appl. No.: **29/307,164**

(22) Filed: **Apr. 3, 2008**

(51) **LOC (9) Cl.** **15-05**

(52) **U.S. Cl.** **D32/18**

(58) **Field of Classification Search** D32/17-18, D32/21, 31, 15-16; 15/344, 329, 320-322, 15/415.1-422.1, 414, 327.5, 398, 400, 300.1, 15/330, 345, 405; D8/68, 39.1

See application file for complete search history.

(56) **References Cited**

U.S. PATENT DOCUMENTS

D369,733	S	*	5/1996	Rosier	D8/68
D400,322	S	*	10/1998	Webster et al.	D32/15
D405,566	S	*	2/1999	Webster et al.	D32/15
5,924,166	A	*	7/1999	Jones et al.	15/330
6,141,824	A	*	11/2000	Fujiwara et al.	15/330
D480,844	S	*	10/2003	Noma et al.	D32/15
D481,279	S	*	10/2003	Buck	D8/68
D527,500	S	*	8/2006	Christianson	D32/15
D556,395	S	*	11/2007	Martin et al.	D32/15
D569,055	S	*	5/2008	Bochmann et al.	D32/15
2002/0108207	A1	*	8/2002	Oohama	15/330

* cited by examiner

Primary Examiner—Ruth McInroy
(74) *Attorney, Agent, or Firm*—Thomas I. Rozsa

(57) **CLAIM**

The ornamental design for a combined handheld battery operated tool chest blower and vacuum, as shown and described.

DESCRIPTION

FIG. 1 is a side perspective view of a combined handheld battery operated tool chest blower and vacuum showing my new design, the suction nozzle and collection bag shown in FIGS. 8-14 are removed exposing the blower;

FIG. 2 is a front view thereof;

FIG. 3 is a rear view thereof;

FIG. 4 is a right side view thereof;

FIG. 5 is a left side view thereof;

FIG. 6 is a top view thereof;

FIG. 7 is a bottom view thereof;

FIG. 8 is a side perspective view showing the suction nozzle and collection bag attached;

FIG. 9 is a front view of FIG. 8;

FIG. 10 is a rear view of FIG. 8;

FIG. 11 is a right side view of FIG. 8;

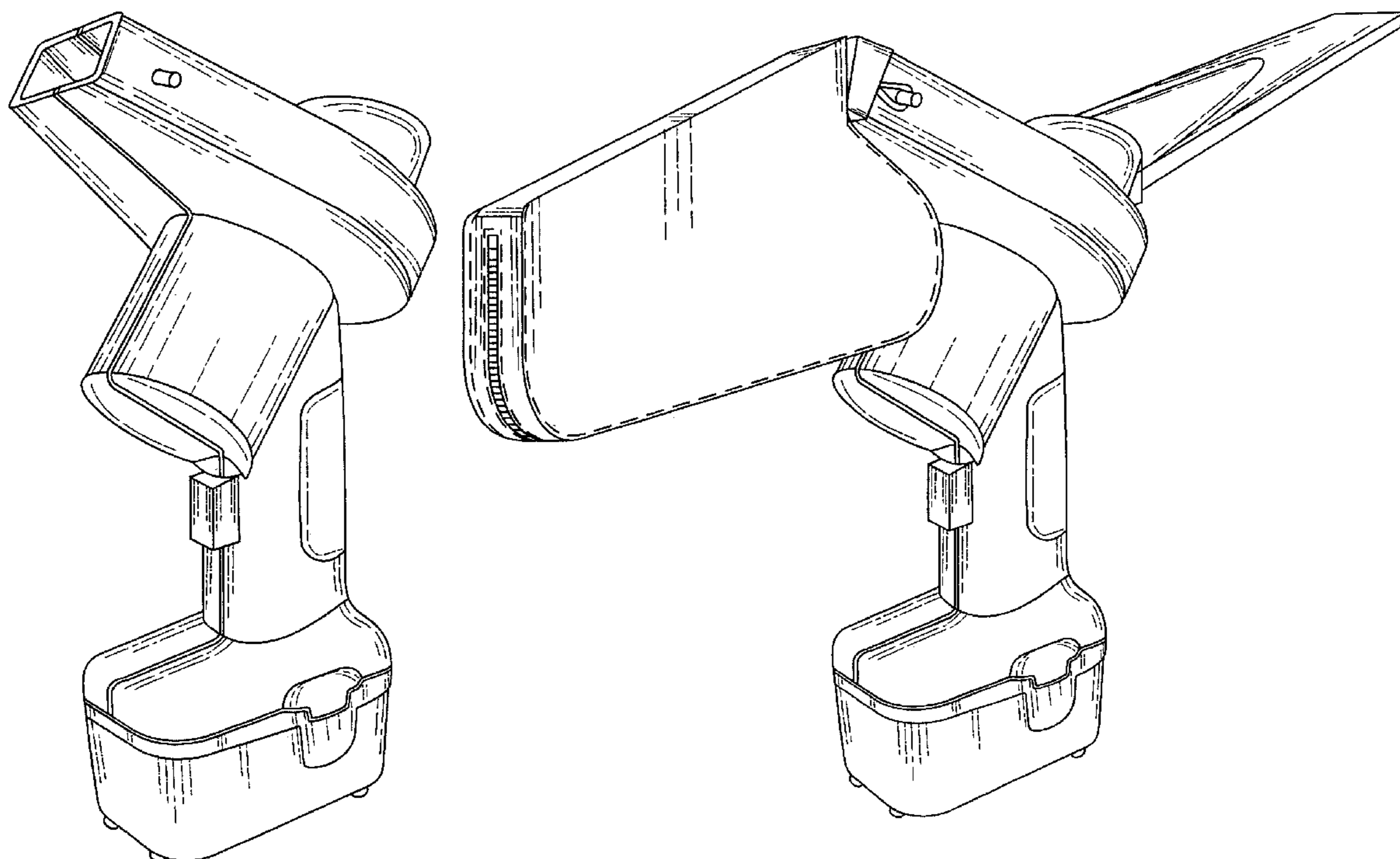
FIG. 12 is a left side view of FIG. 8;

FIG. 13 is a top view of FIG. 8; and,

FIG. 14 is a bottom view of FIG. 8.

FIGS. 1-7 are shown separate for clarity of illustration.

1 Claim, 13 Drawing Sheets



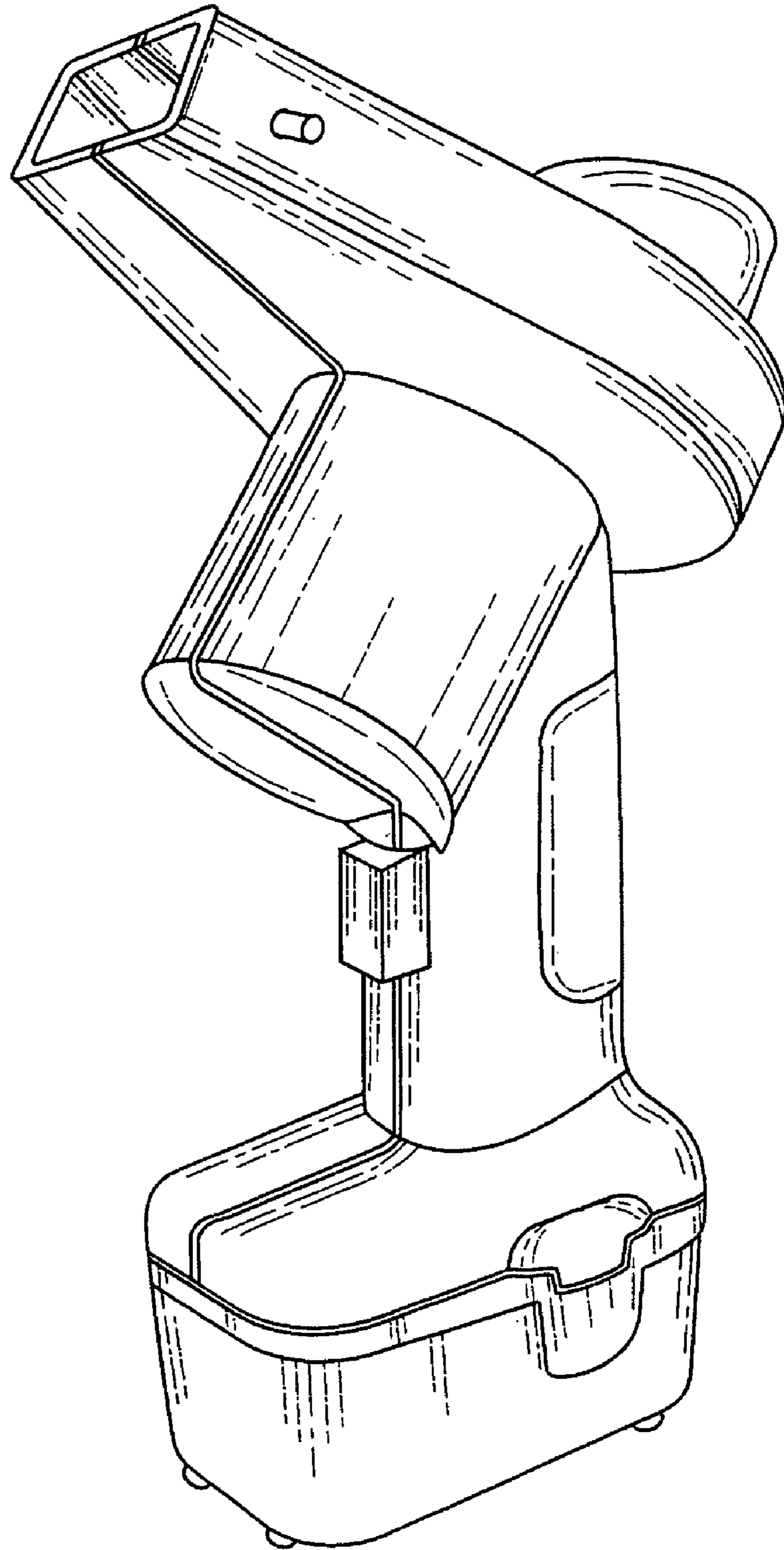


FIG. 1

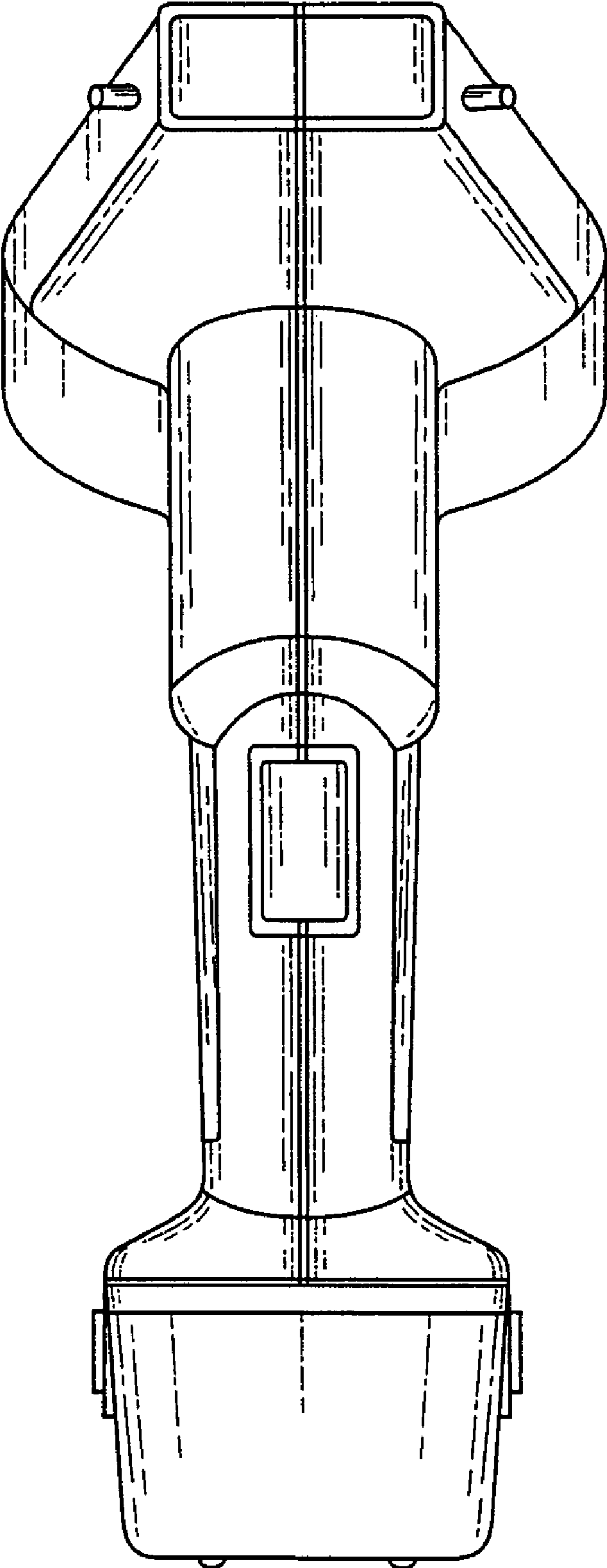


FIG. 2

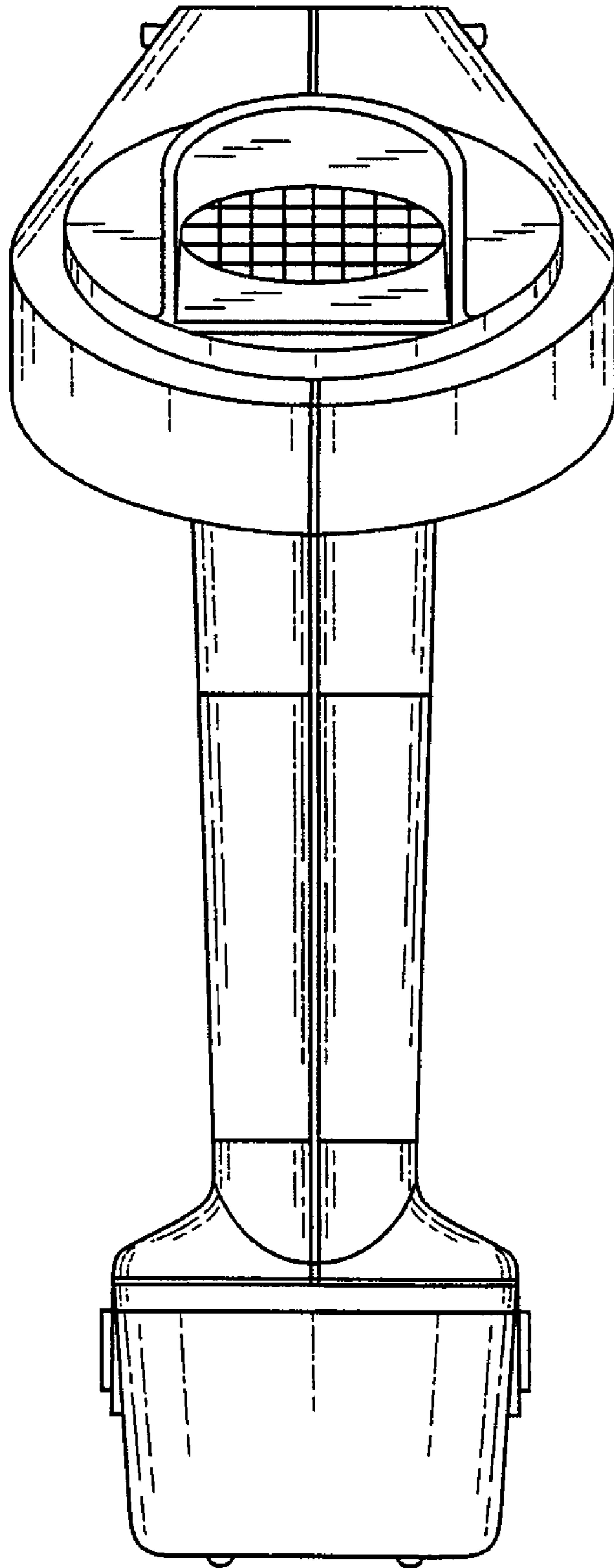


FIG. 3

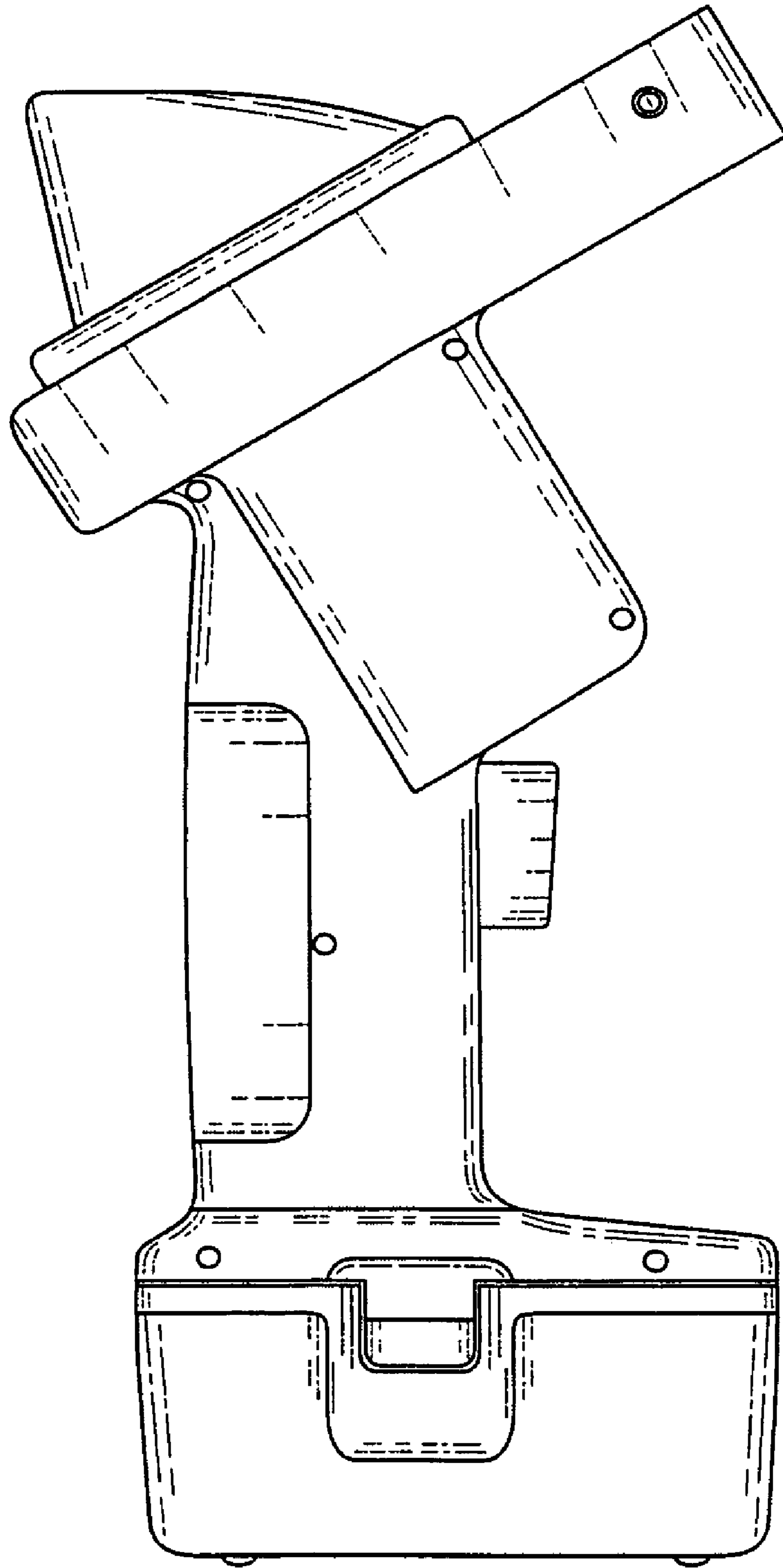


FIG. 4

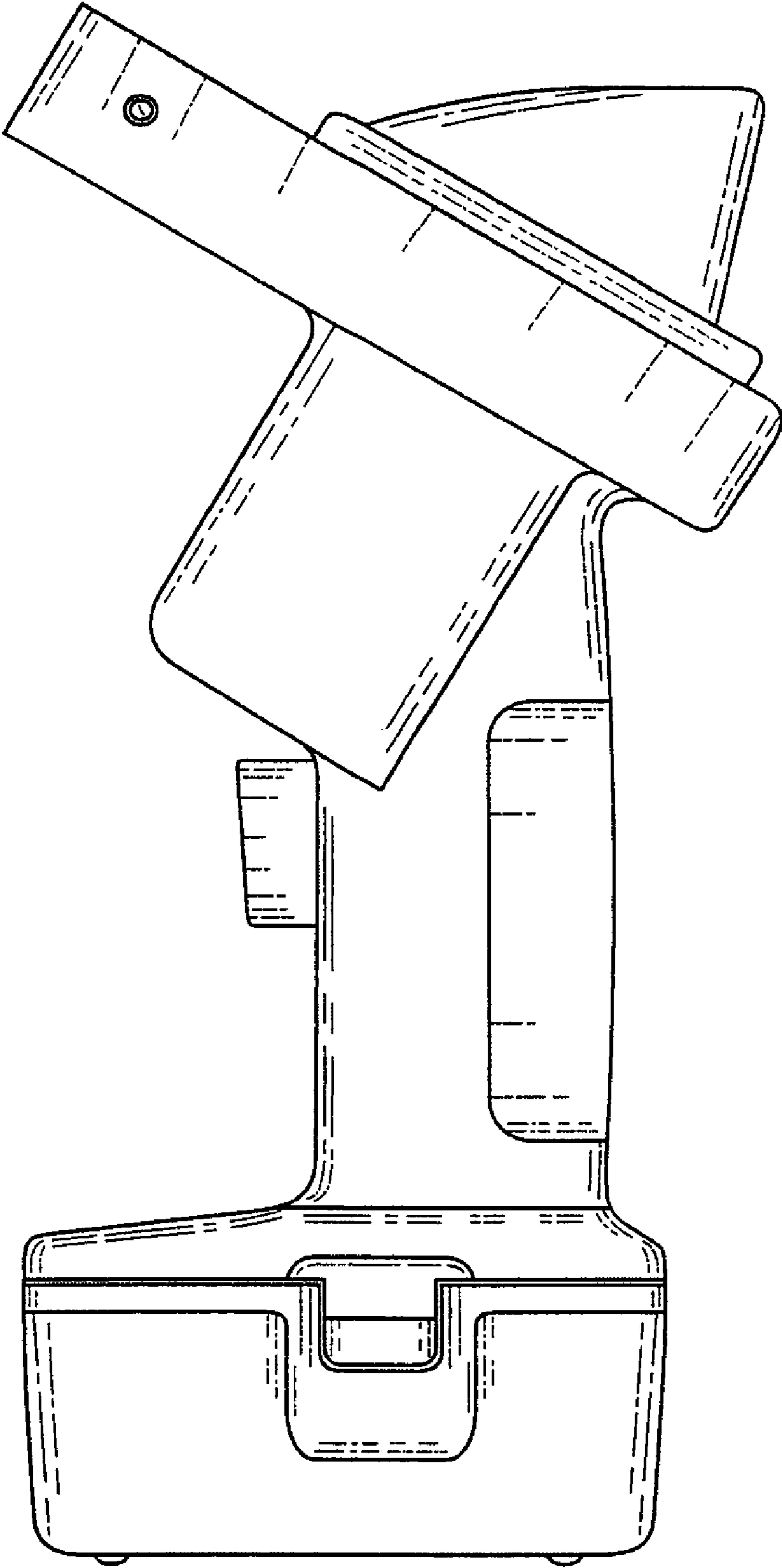


FIG. 5

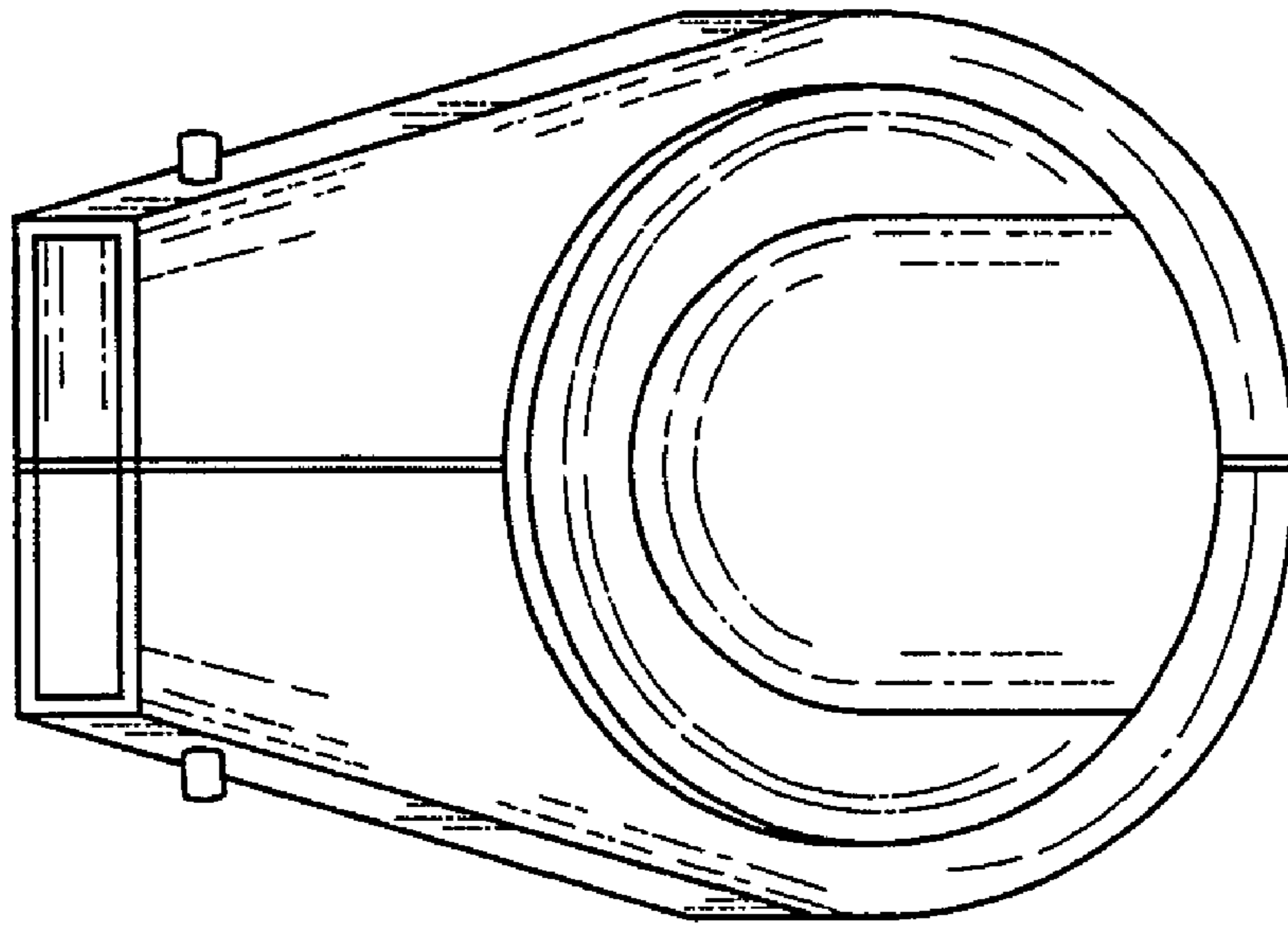


FIG. 6

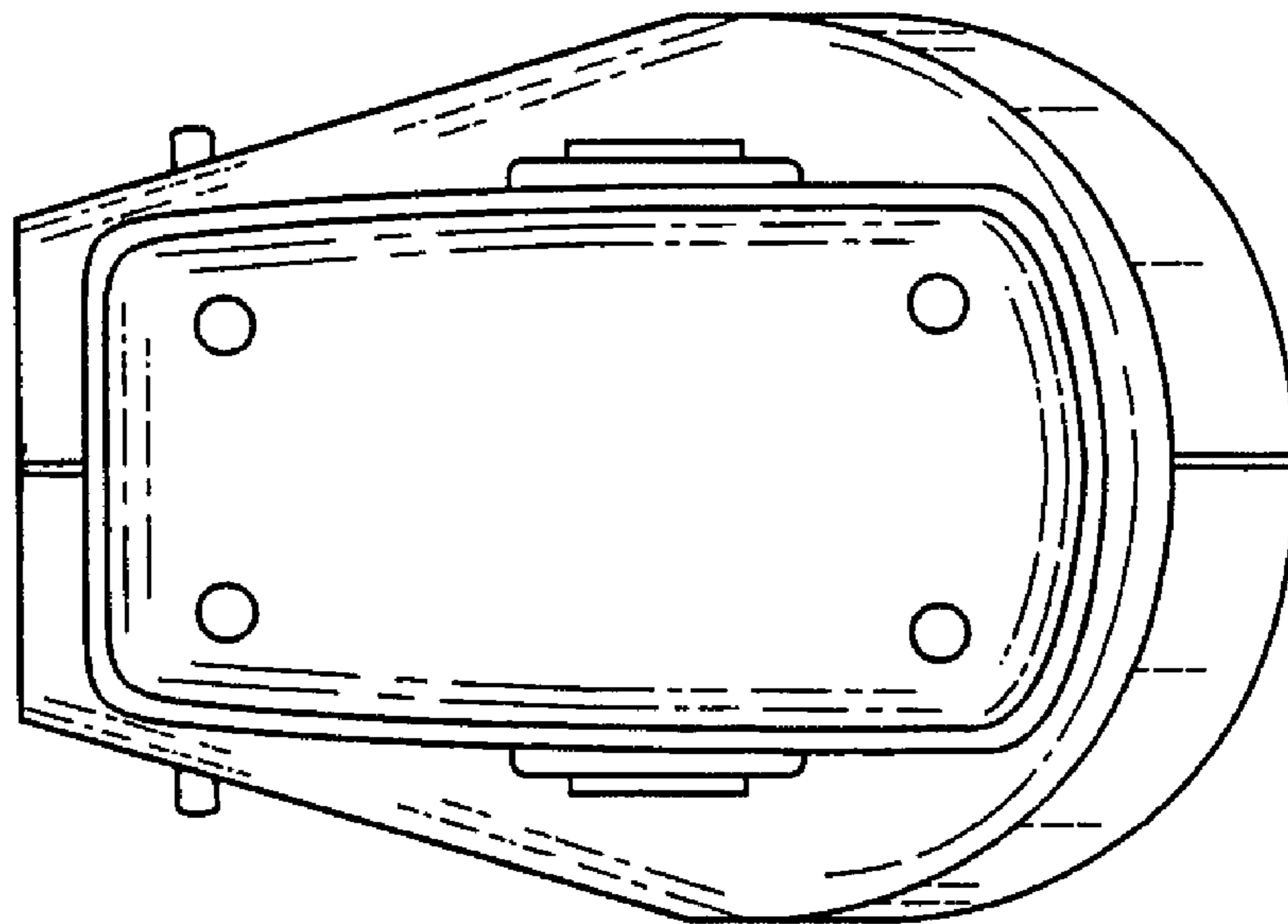


FIG. 7

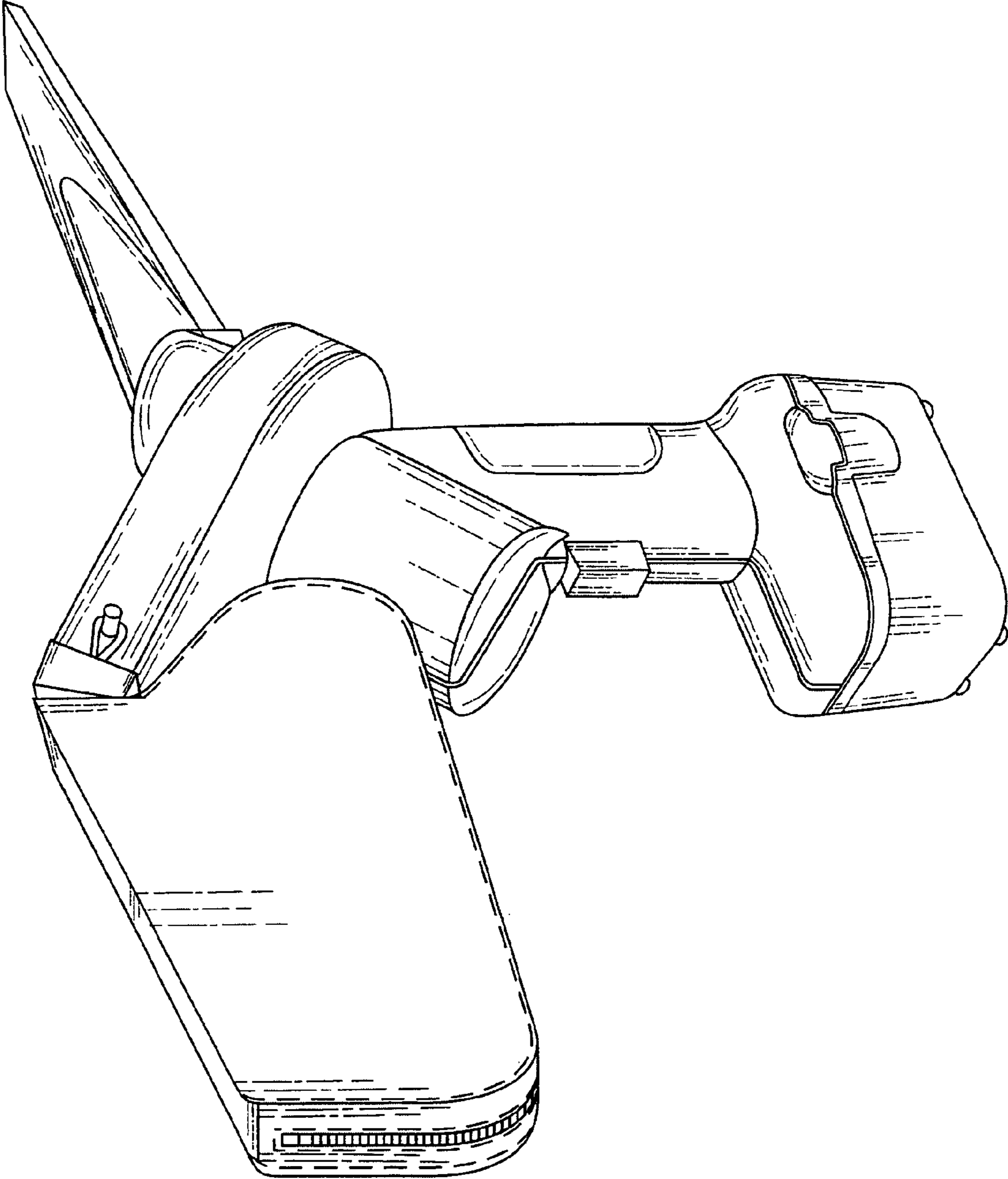


FIG. 8

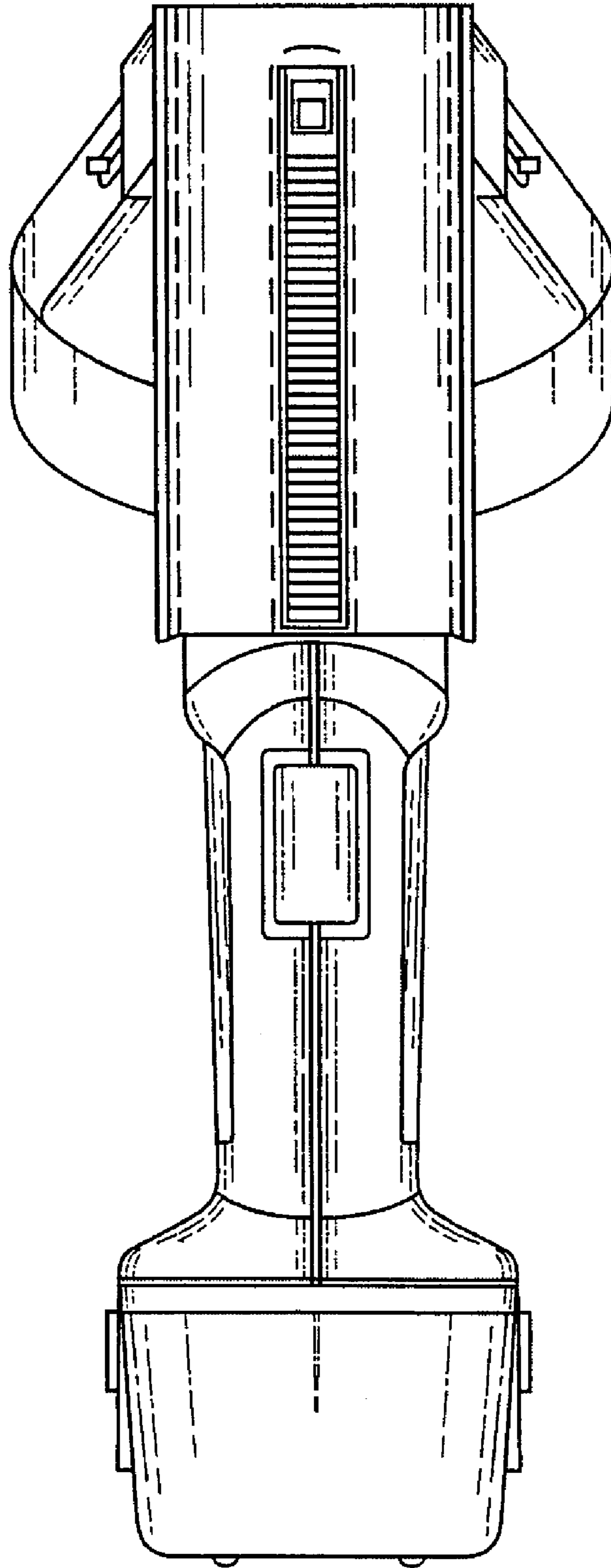


FIG. 9

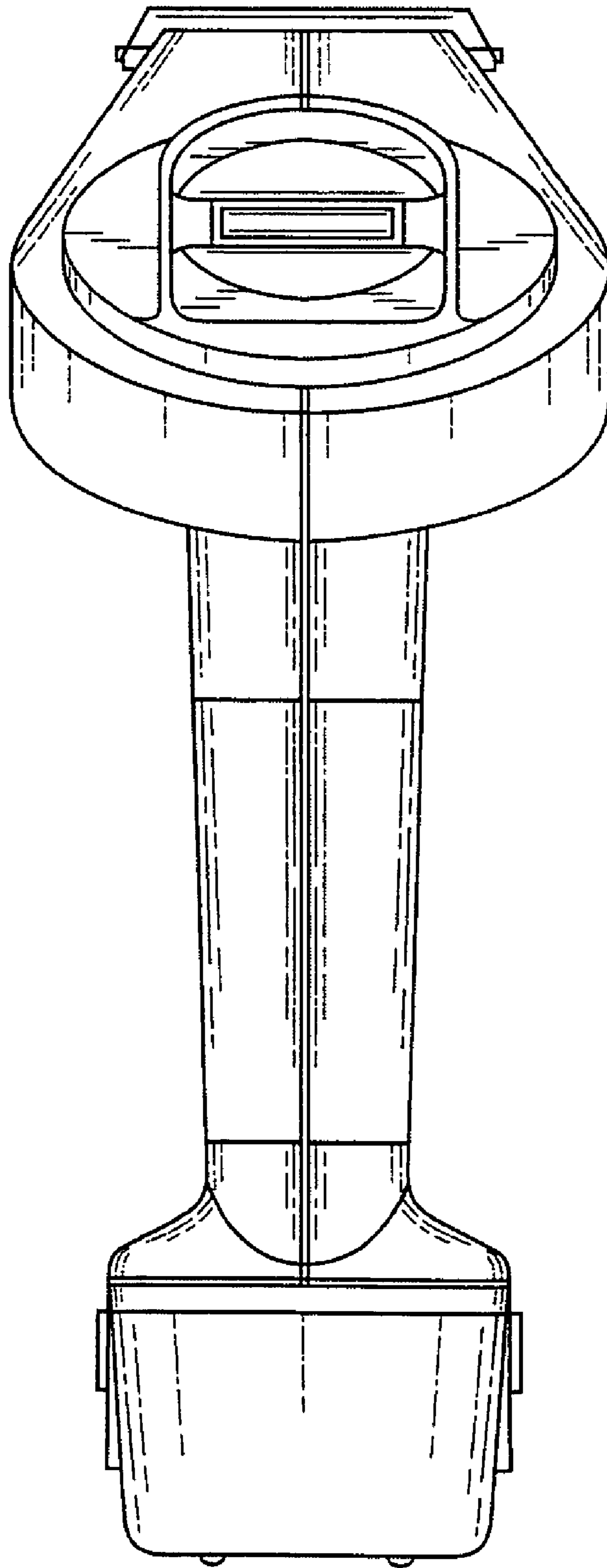


FIG. 10

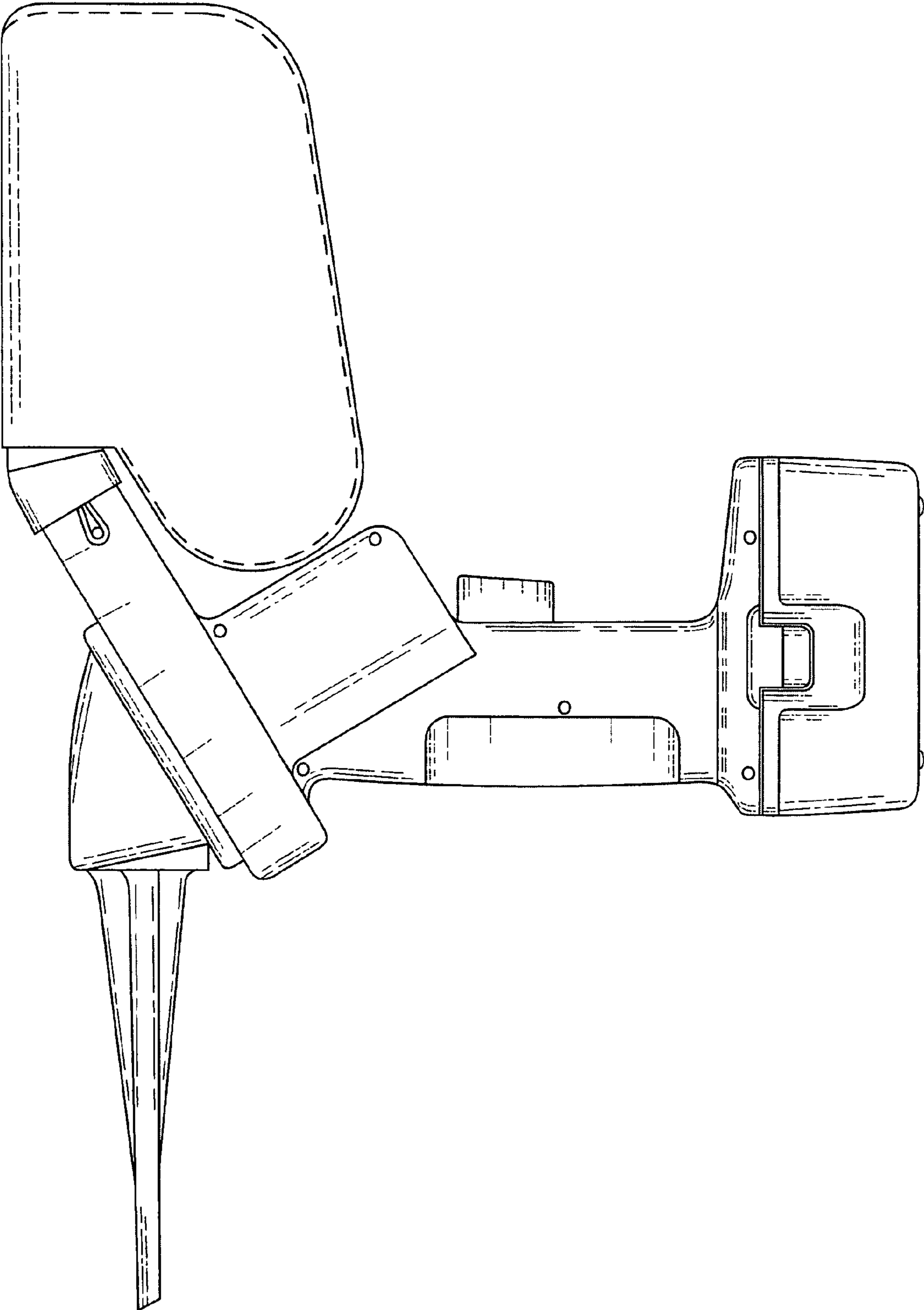


FIG. 11

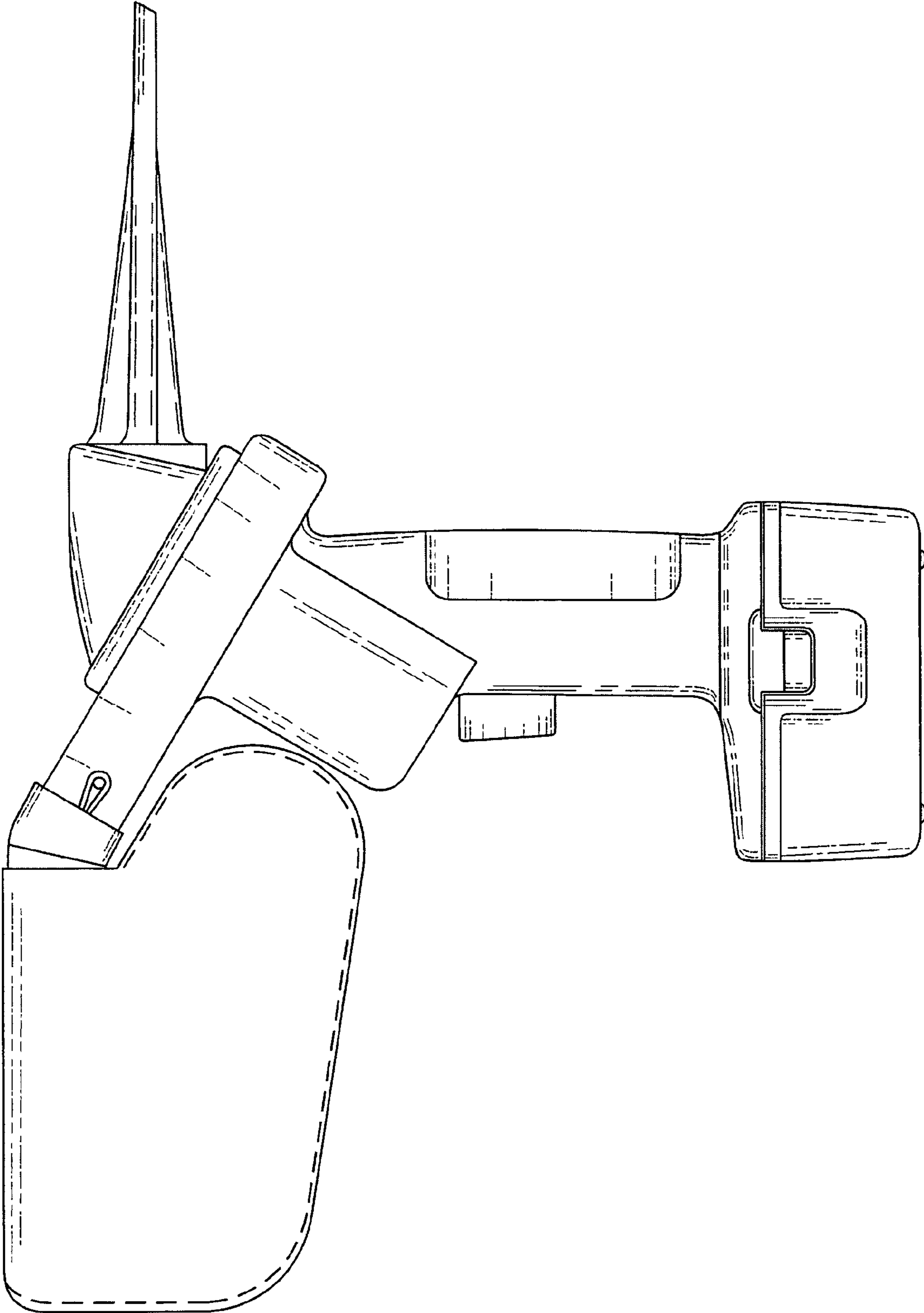


FIG. 12

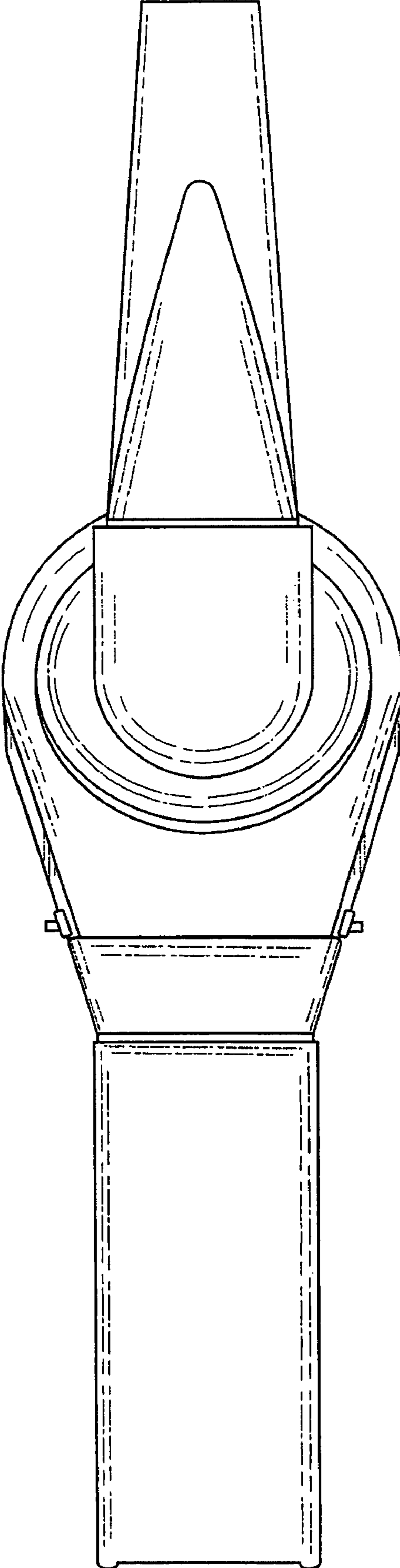


FIG. 13

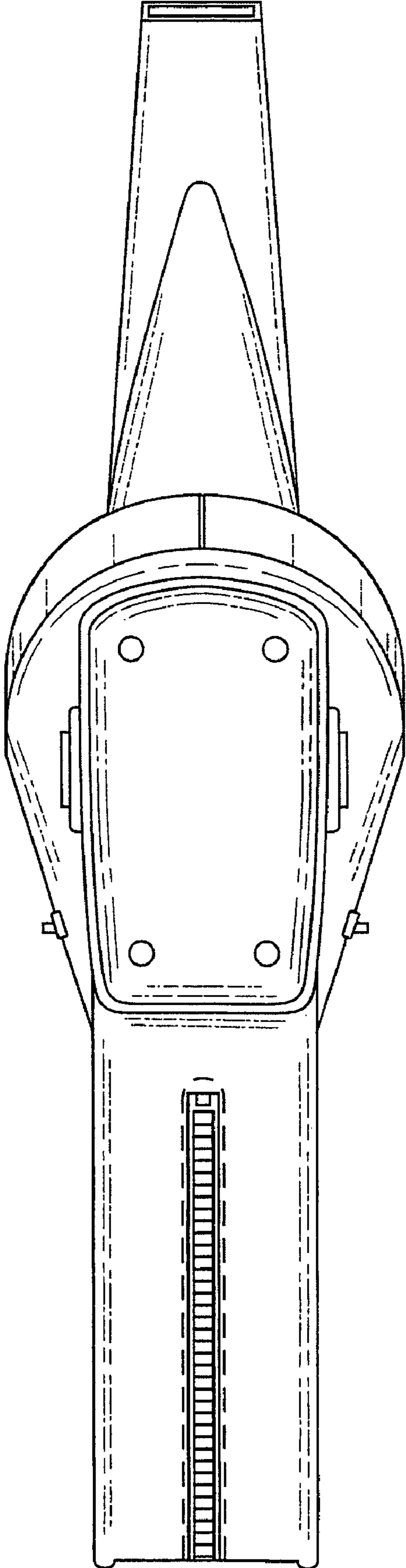


FIG. 14