



US00D607620S

(12) **United States Design Patent**  
**Massip et al.**

(10) **Patent No.:** **US D607,620 S**  
(45) **Date of Patent:** **\*\* Jan. 5, 2010**

(54) **GARMENT STEAMER WITH ACCESSORIES**

(75) Inventors: **Victor Massip**, Nantes (FR); **Laurent Lebot**, Nantes (FR)

(73) Assignee: **Rowenta Werke GmbH**, Offenbach am Main (DE)

(\*\*) Term: **14 Years**

(21) Appl. No.: **29/321,975**

(22) Filed: **Jul. 28, 2008**

(30) **Foreign Application Priority Data**

Feb. 6, 2008 (FR) ..... 08 0608

(51) **LOC (9) Cl.** ..... **15-05**

(52) **U.S. Cl.** ..... **D32/17**

(58) **Field of Classification Search** ..... D32/9,  
D32/17, 21, 32-33; 68/5 R, 5 A, 5 C, 222;  
38/85, 69, 77.3; 392/405, 324, 333, 342,  
392/379, 403; 8/149.3; 15/320-322, 415.1-422.1,  
15/327.1-327.2, 327.6-327.7, 344; D23/225;  
223/51, 73

See application file for complete search history.

(56) **References Cited**

**U.S. PATENT DOCUMENTS**

3,559,427 A \* 2/1971 Baker ..... 68/222  
5,123,266 A \* 6/1992 Tabraham ..... 68/222  
5,609,047 A \* 3/1997 Hellman et al. .... 68/222  
D380,068 S \* 6/1997 Gudefin ..... D32/9  
D451,653 S \* 12/2001 Berreth et al. .... D32/17  
D464,180 S \* 10/2002 Chen ..... D32/9  
6,886,373 B2 \* 5/2005 Carrubba et al. .... 68/222  
D561,958 S \* 2/2008 Hahn ..... D32/17

D576,771 S \* 9/2008 Reiner ..... D32/9  
D579,160 S \* 10/2008 Lebot et al. .... D32/9  
D580,607 S \* 11/2008 Tobias ..... D32/17  
2004/0144140 A1 \* 7/2004 Lee ..... 68/222

**OTHER PUBLICATIONS**

Web page: Conair/Compact Fabric Steamer (model GS7R), one page.

Web page: Conair/Deluxe Garment Steamer with Hanger -GS10RH, one page.

Web page: Jiffy/Model J-2000 Garment Steamer, pp. 1-2.

Web page: Steamfast/SF-465 QuickSteam Professional, one page.

\* cited by examiner

*Primary Examiner*—Ruth McInroy

(74) *Attorney, Agent, or Firm*—Oblon, Spivak, McClelland, Maier & Neustadt, L.L.P.

(57) **CLAIM**

The ornamental design for a garment steamer with accessories, as shown and described.

**DESCRIPTION**

FIG. 1 is a rear, top and right side perspective view of a garment steamer with accessories showing our new design;

FIG. 2 is a right view thereof;

FIG. 3 is a left view thereof;

FIG. 4 is a front view thereof;

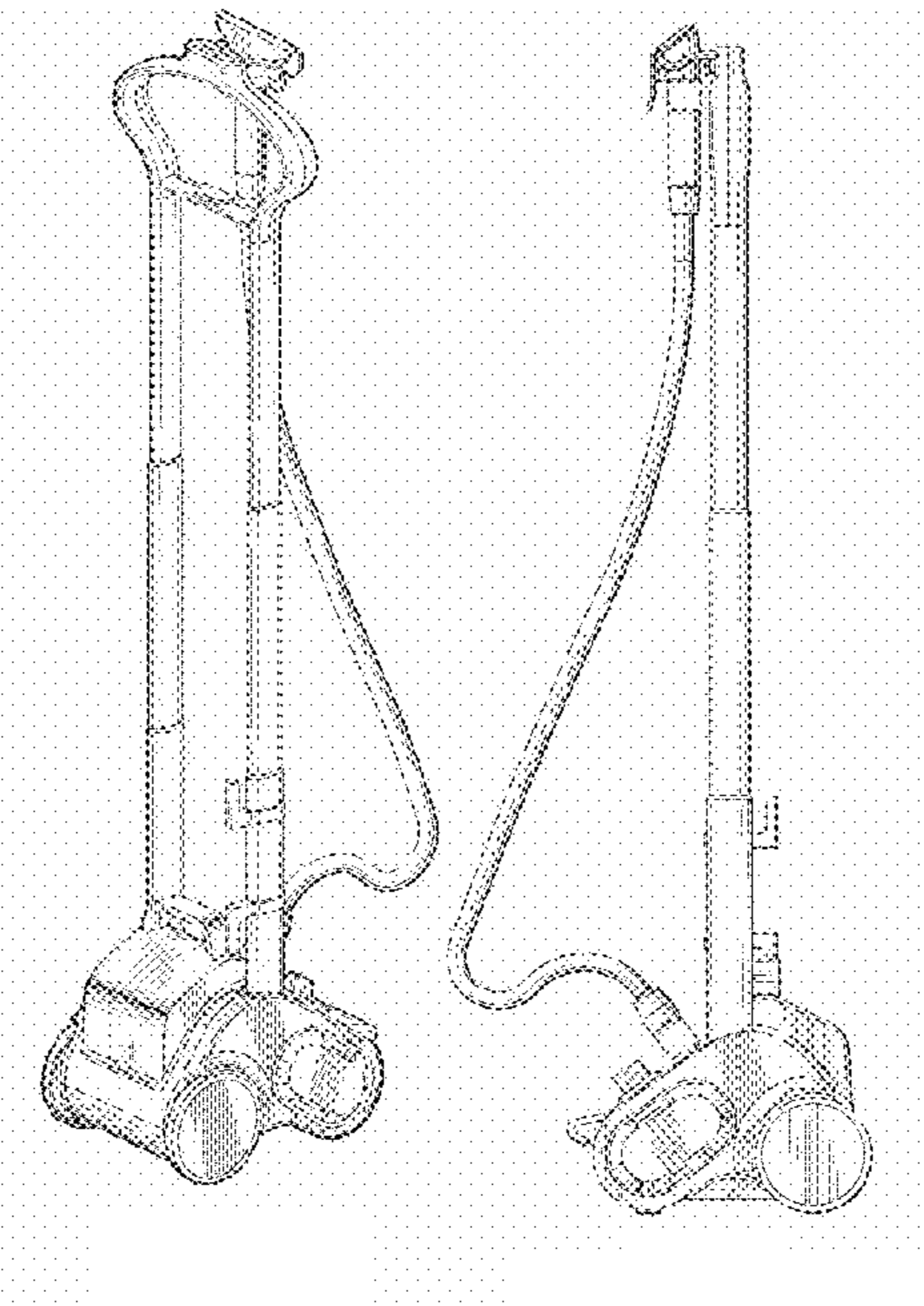
FIG. 5 is a rear view thereof;

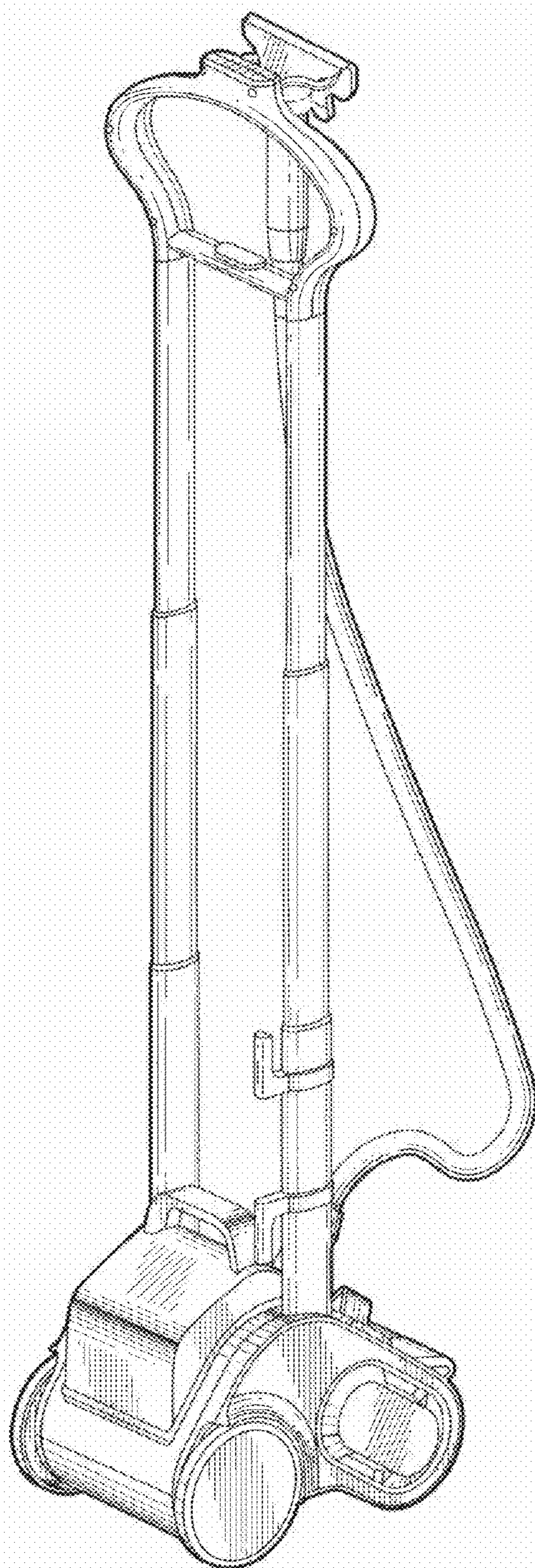
FIG. 6 is a top view thereof; and,

FIG. 7 is a bottom view thereof.

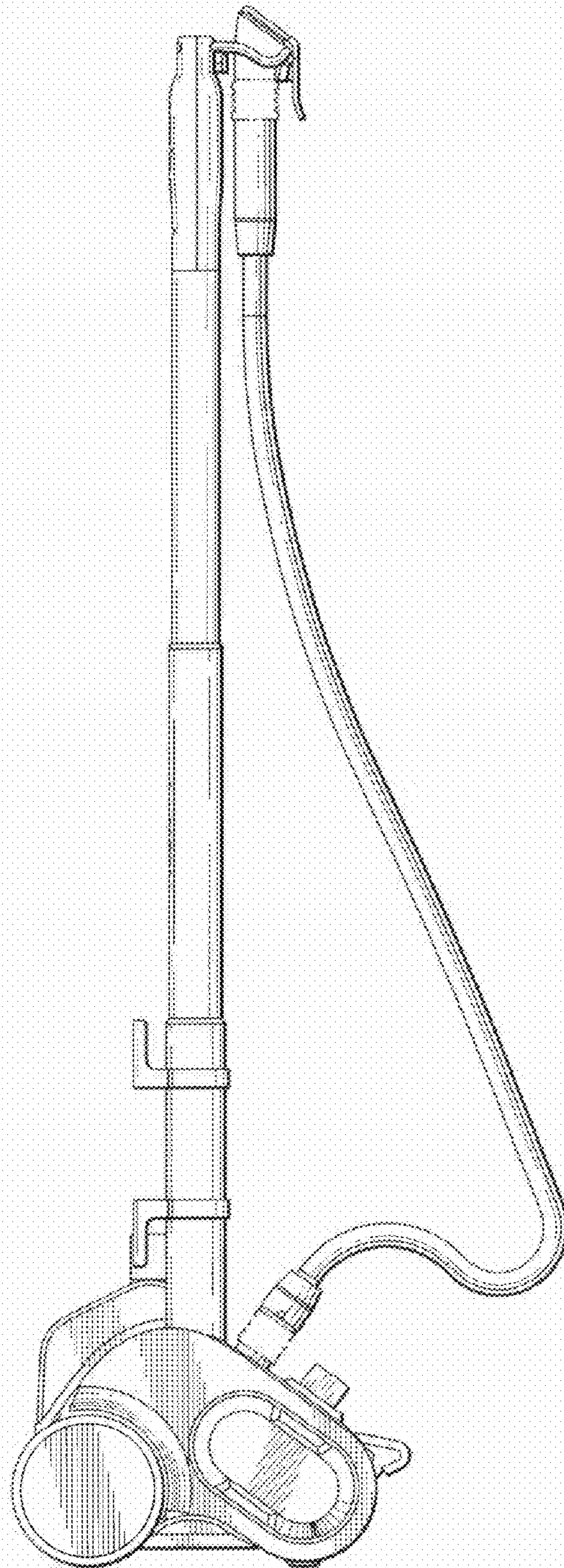
The broken lines in the drawings depict environmental subject matter only and form no part of the claimed design.

**1 Claim, 7 Drawing Sheets**

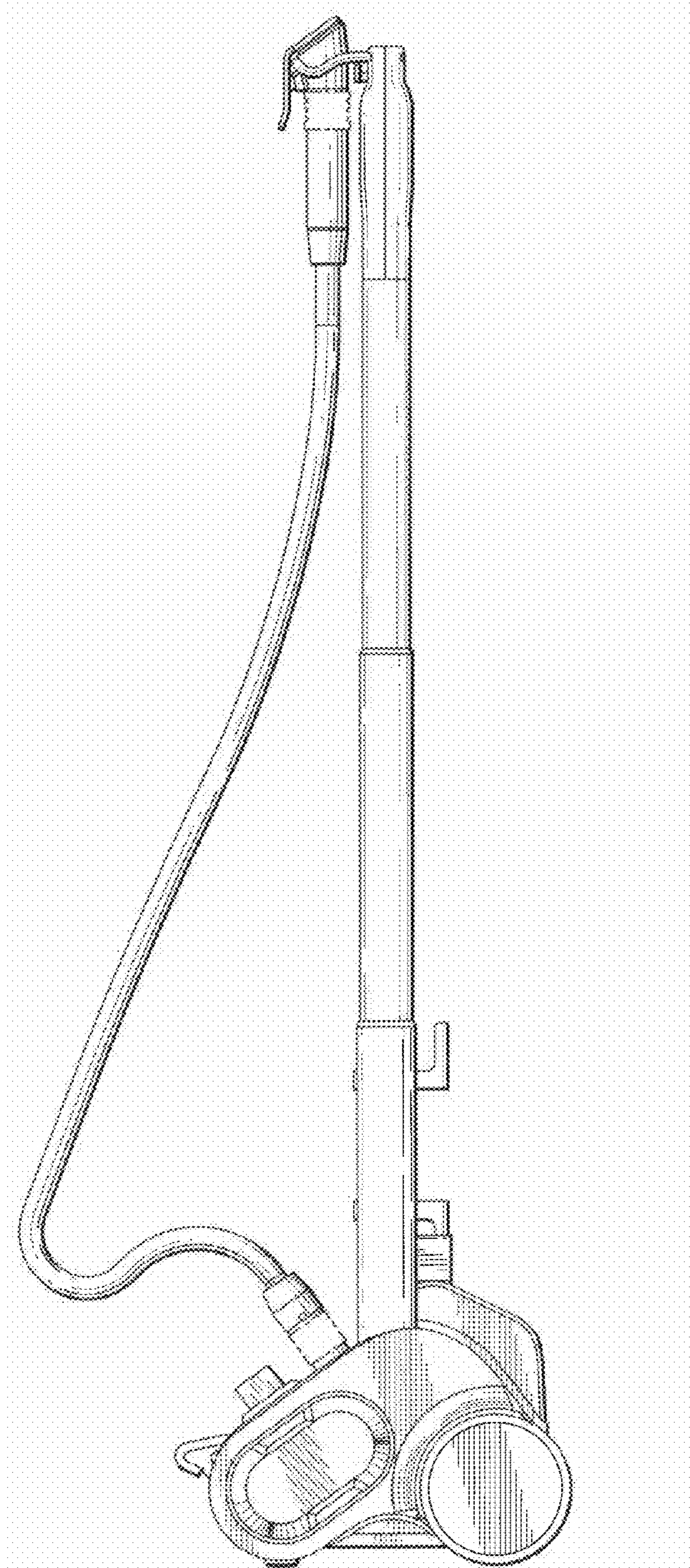




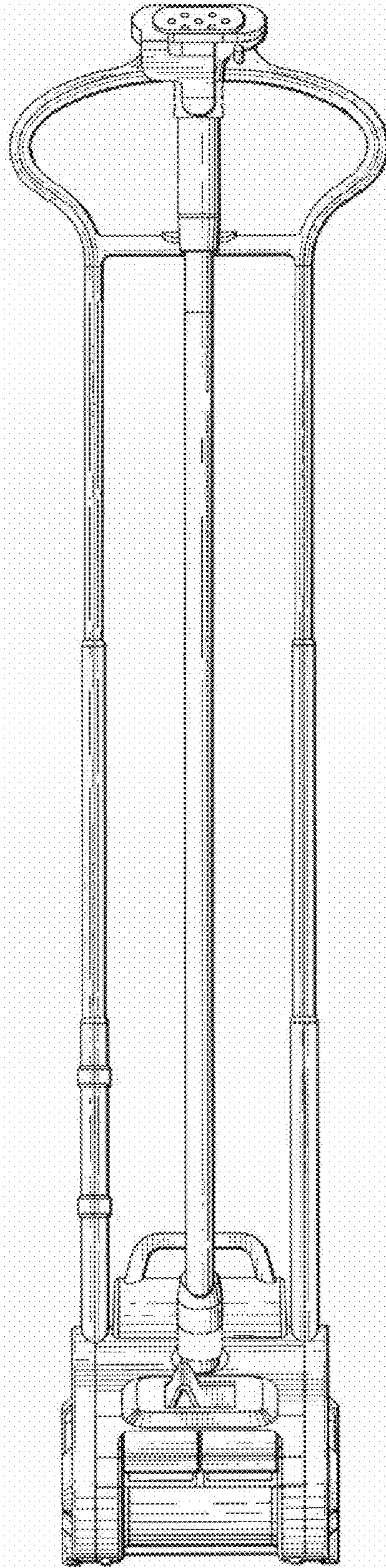
*Fig. 1*



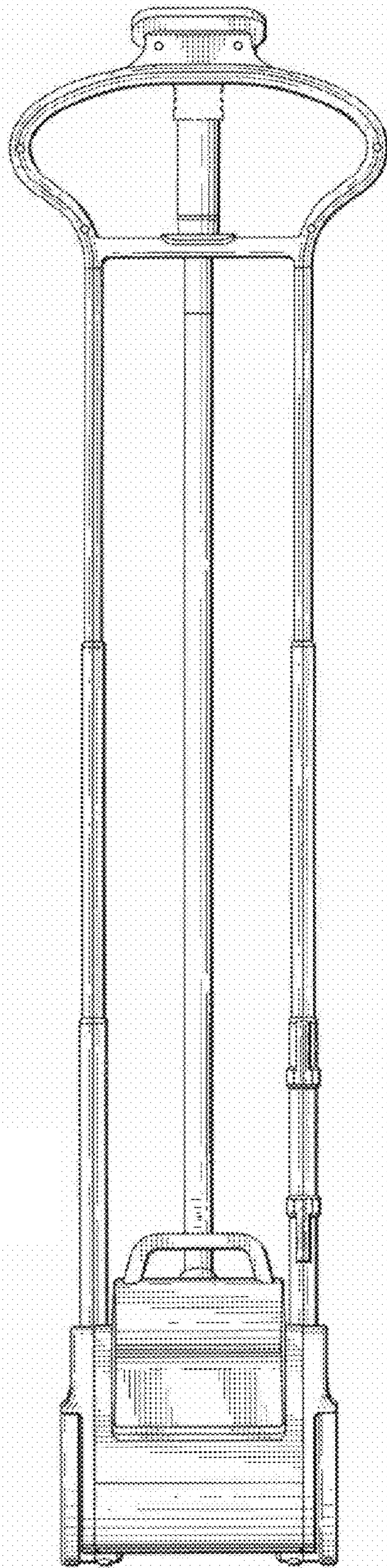
*Fig. 2*



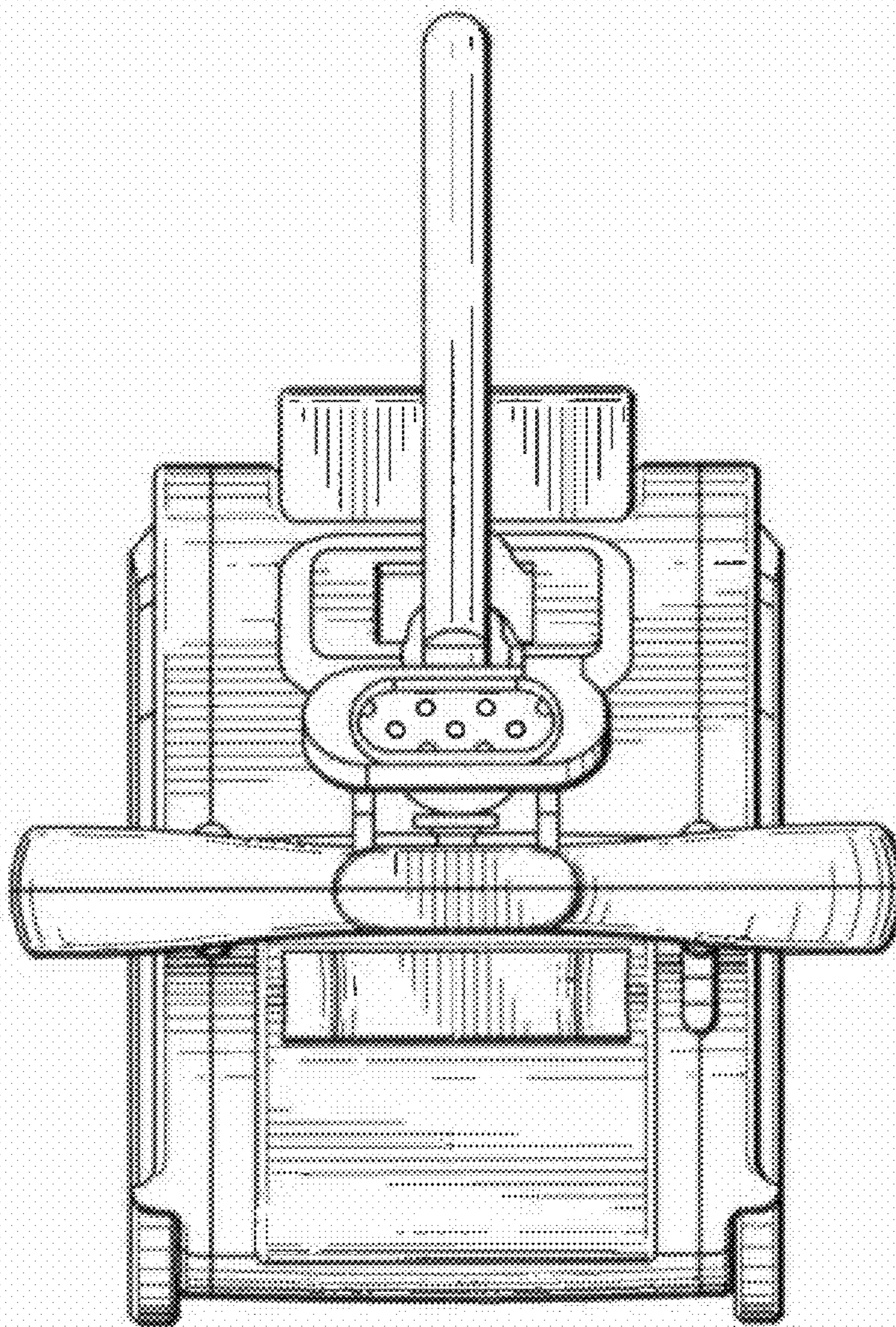
*Fig. 3*



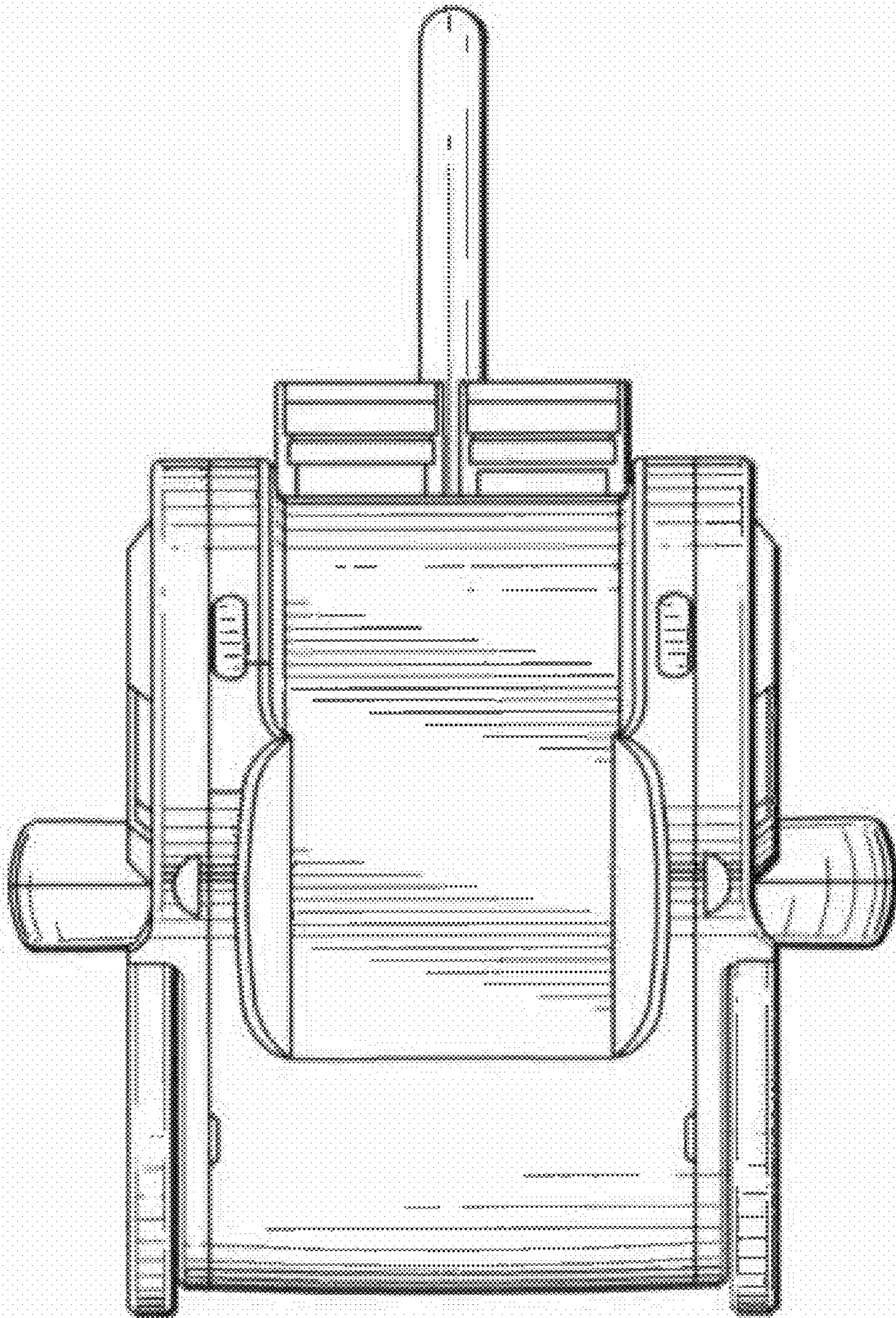
*Fig. 4*



*Fig. 5*



*Fig. 6*



*Fig. 7*