



US00D607619S

(12) **United States Design Patent**
Kim

(10) **Patent No.:** **US D607,619 S**
(45) **Date of Patent:** **** Jan. 5, 2010**

(54) **WASHING MACHINE**

(75) Inventor: **Daniel T Kim**, Washington Township,
NJ (US)

(73) Assignee: **LG Electronics Inc.**, Seoul (KR)

(**) Term: **14 Years**

(21) Appl. No.: **29/337,356**

(22) Filed: **May 20, 2009**

(51) **LOC (9) Cl.** **15-05**

(52) **U.S. Cl.** **D32/6**

(58) **Field of Classification Search** D32/1,
D32/5-6, 8, 10; 68/3 R, 5 R, 12.01; 312/31;
34/87-88, 523-524

See application file for complete search history.

(56) **References Cited**

U.S. PATENT DOCUMENTS

2,416,405	A *	2/1947	Purpura	34/134
D465,622	S *	11/2002	Wang et al.	D32/6
D496,513	S *	9/2004	Tsuda et al.	D32/8
D515,256	S *	2/2006	Tsuda et al.	D32/5
D520,193	S *	5/2006	Yokoyama	D32/5
D536,143	S *	1/2007	Takase et al.	D32/5
D541,492	S *	4/2007	Nam	D32/6

D543,322	S *	5/2007	Usui et al.	D32/6
D554,306	S *	10/2007	Nam	D32/6
D575,913	S *	8/2008	Jeon et al.	D32/6
D585,164	S *	1/2009	Kosukegawa et al.	D32/5

* cited by examiner

Primary Examiner—T. Chase Nelson

Assistant Examiner—Kathleen M Sims

(74) *Attorney, Agent, or Firm*—Morgan, Lewis & Bockius
LLP

(57) **CLAIM**

The ornamental design for a washing machine, as shown and described.

DESCRIPTION

FIG. 1 is a perspective view of a washing machine showing my new design;

FIG. 2 is a front view thereof;

FIG. 3 is a rear view thereof;

FIG. 4 is a left side view thereof;

FIG. 5 is a right side view thereof;

FIG. 6 is a top plan view thereof; and,

FIG. 7 is a bottom plan view thereof.

1 Claim, 7 Drawing Sheets

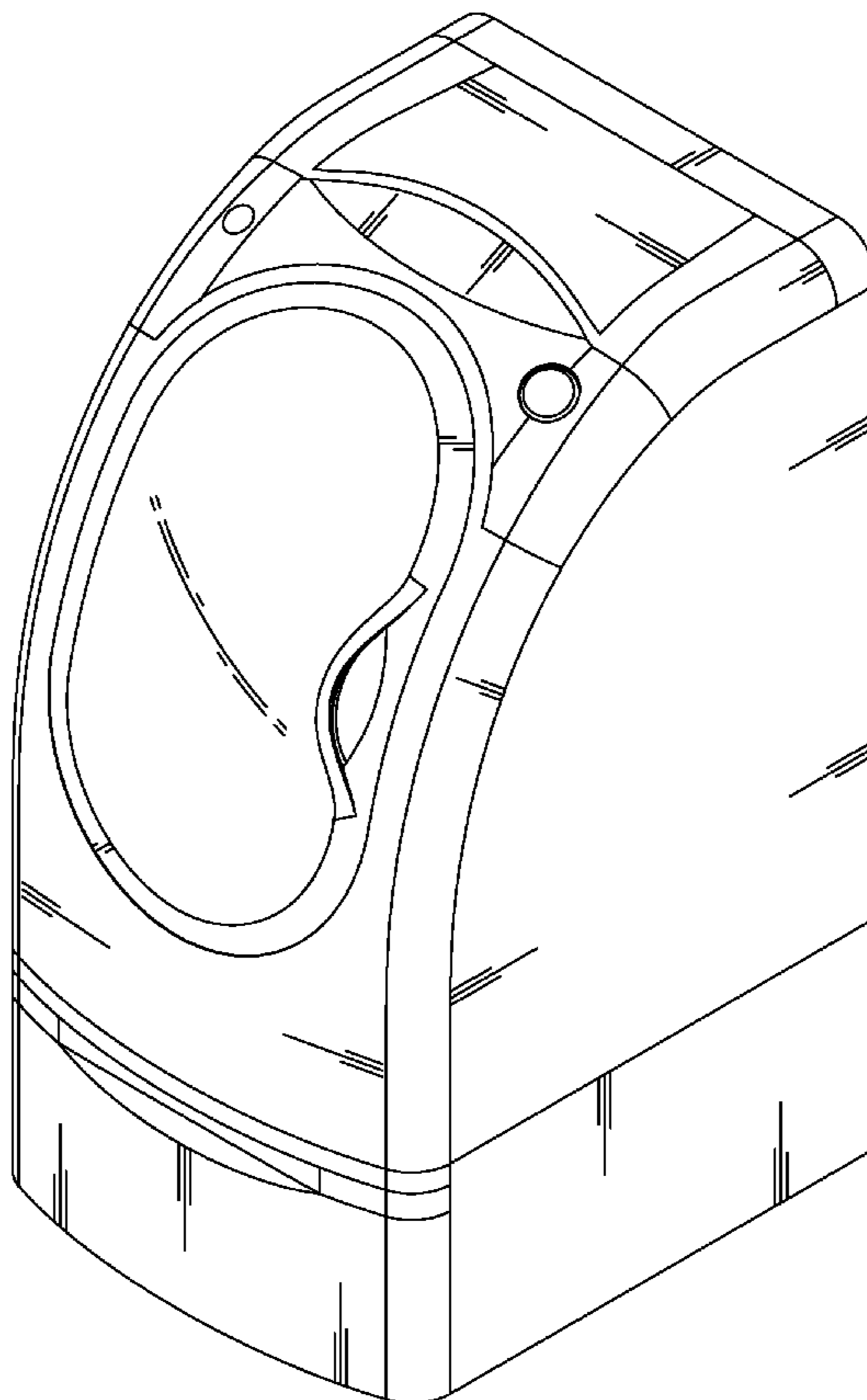


FIG. 1

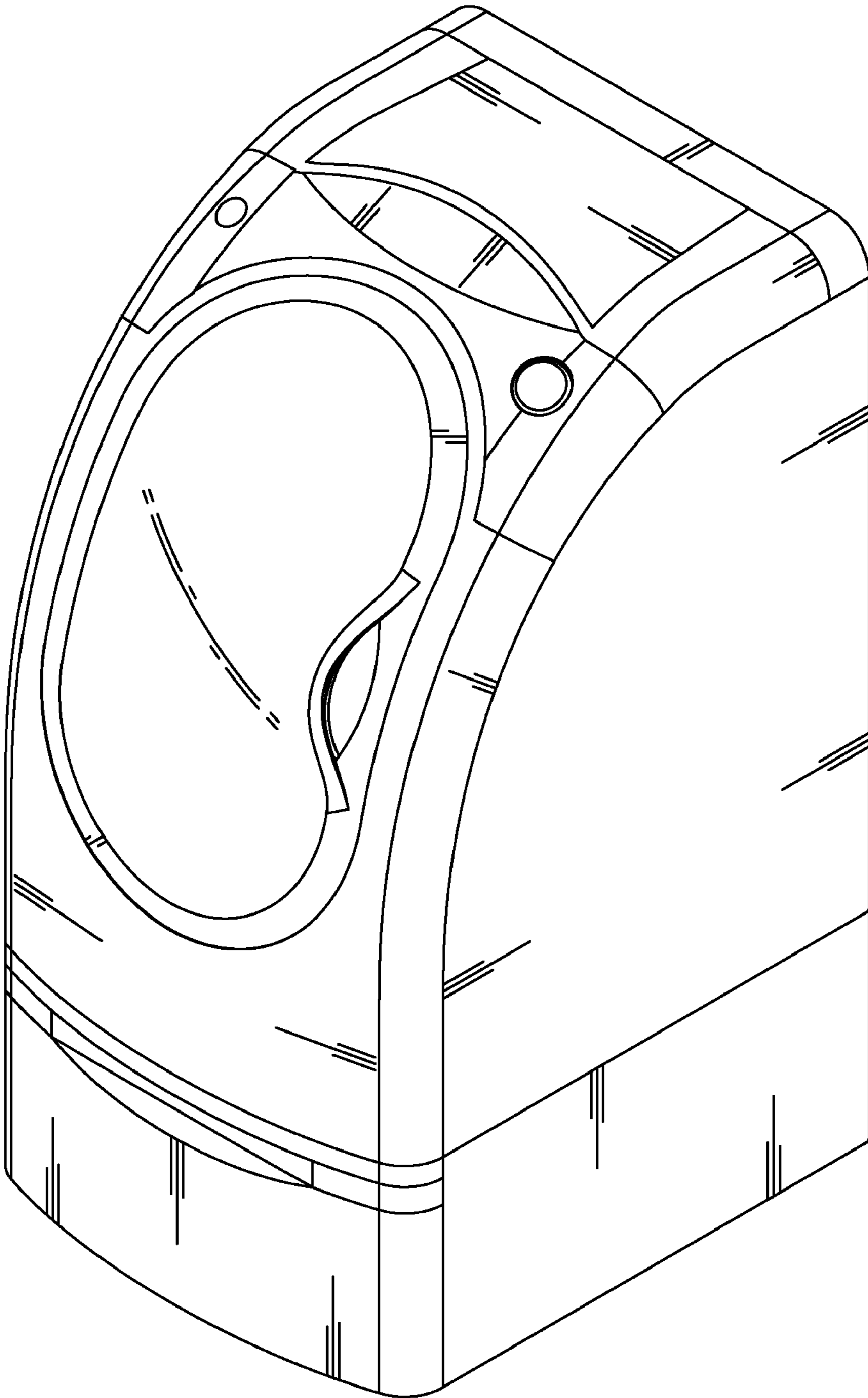


FIG. 2

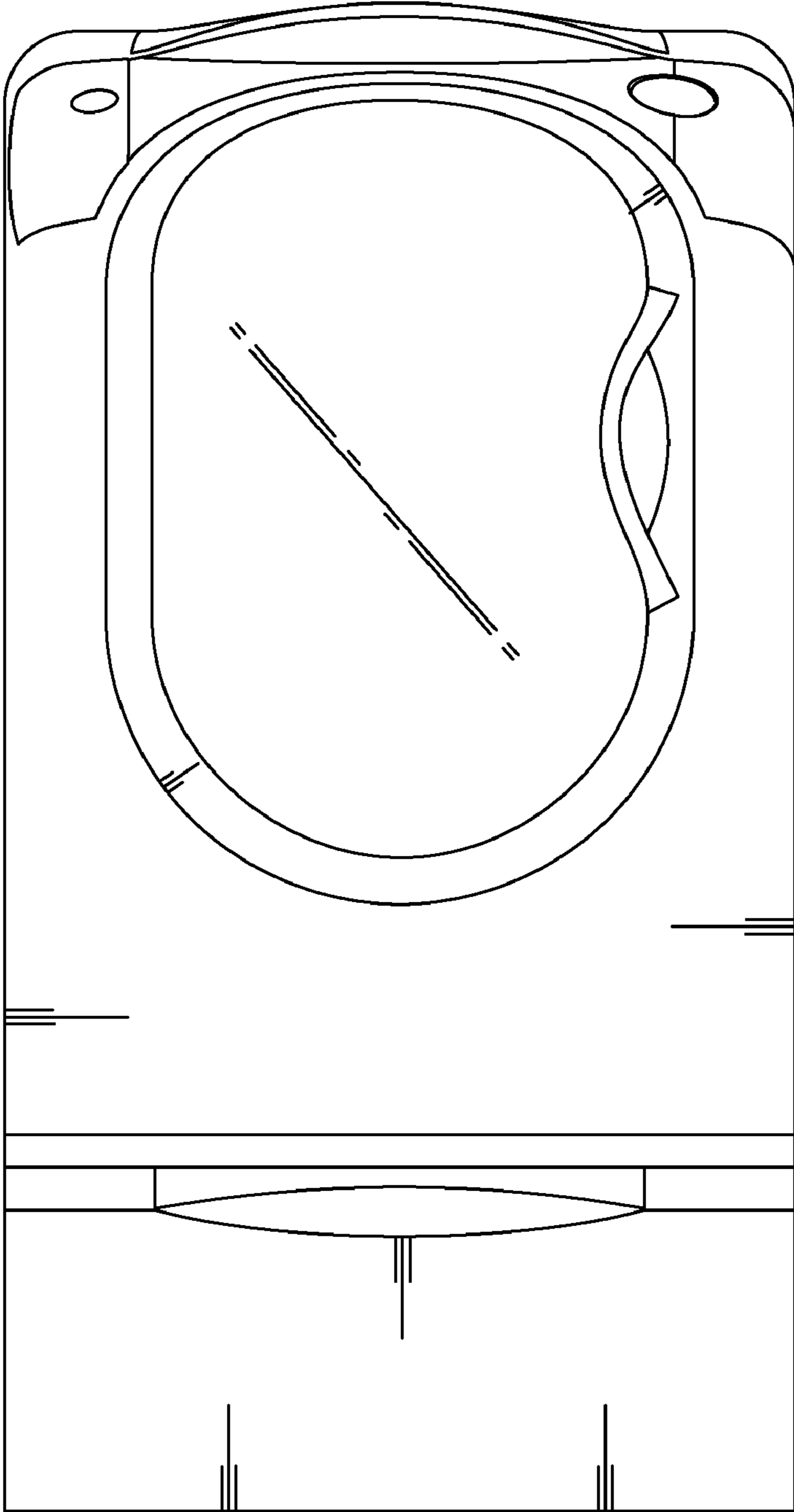


FIG. 3

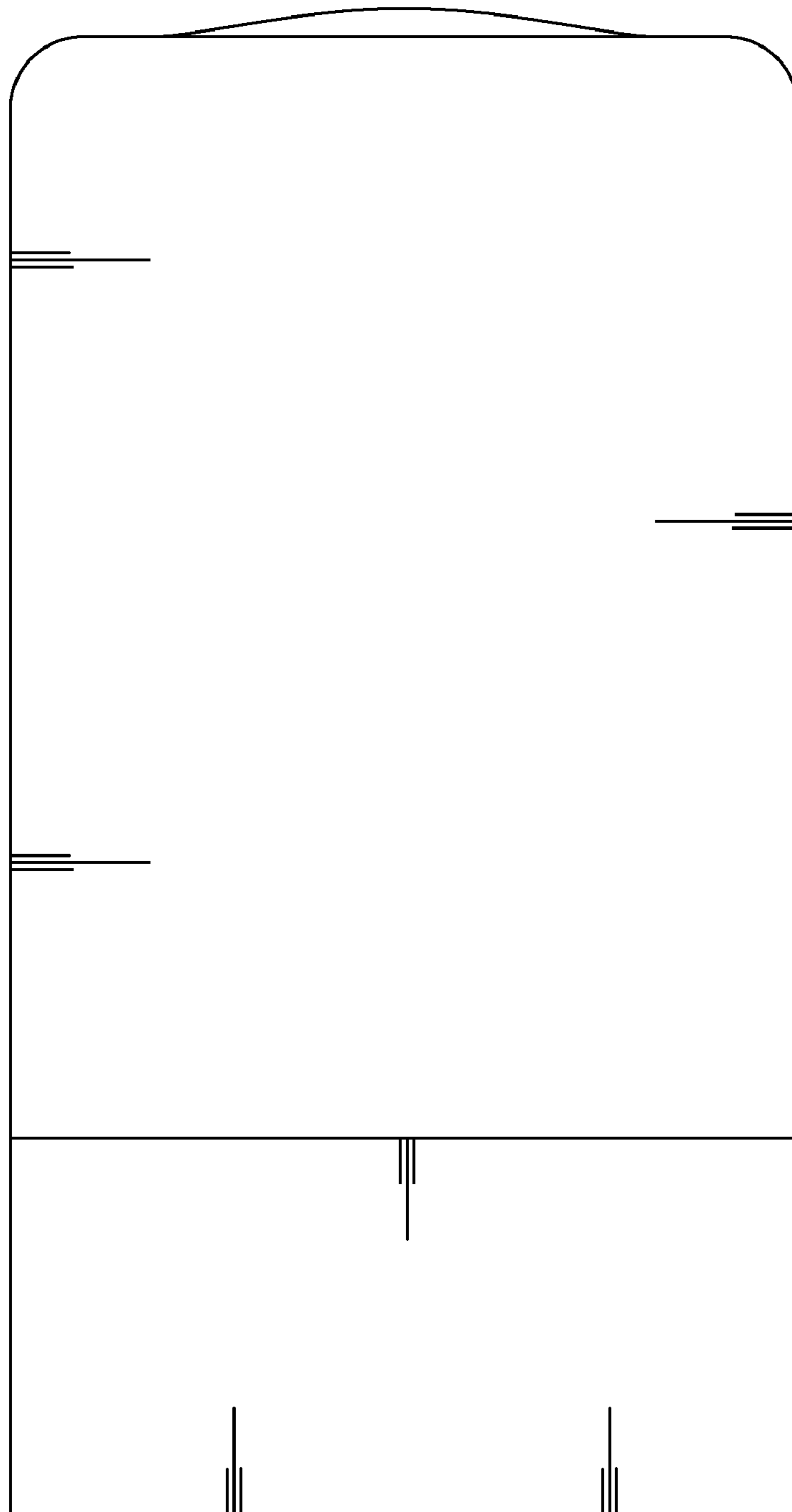


FIG. 4

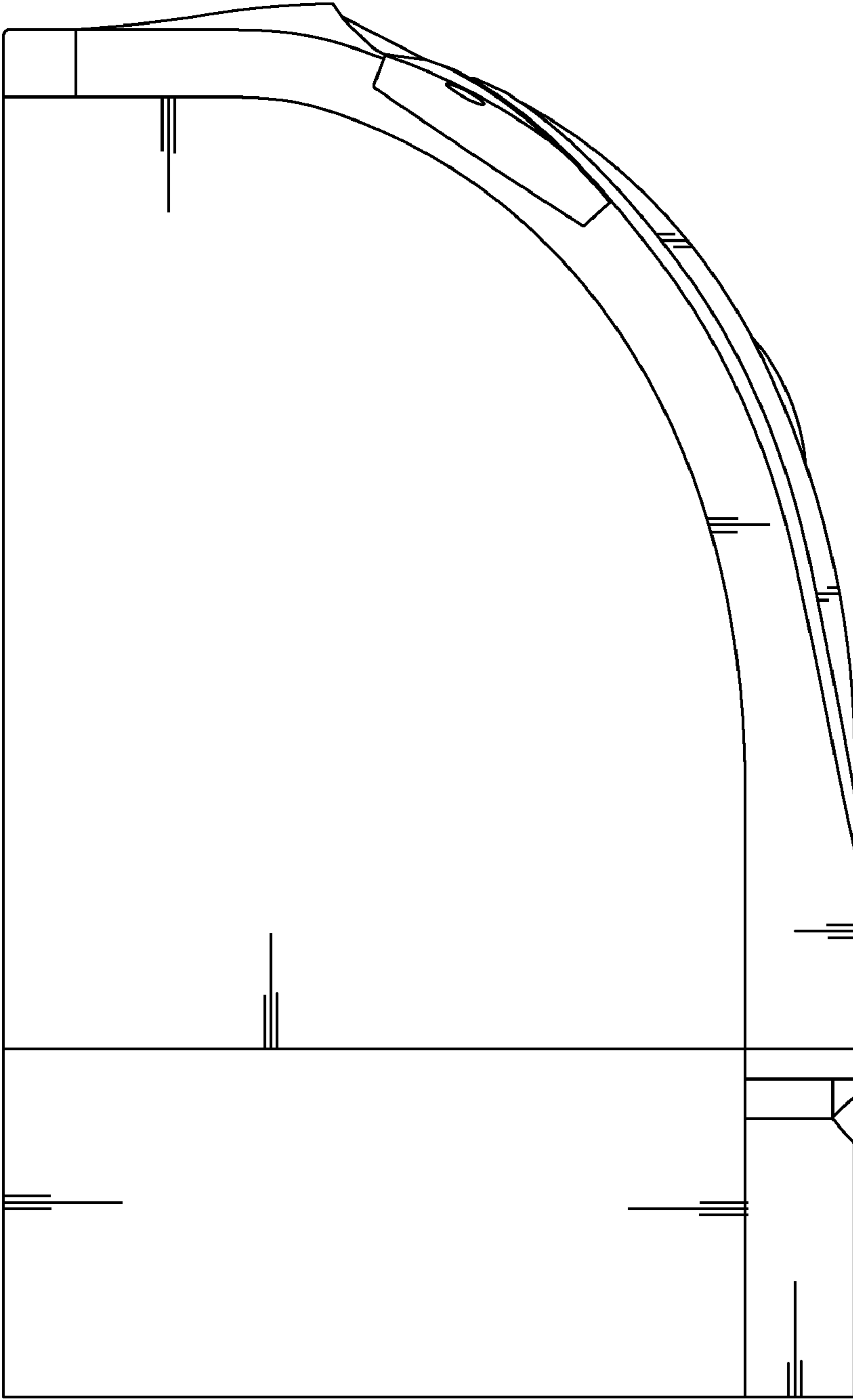


FIG. 5

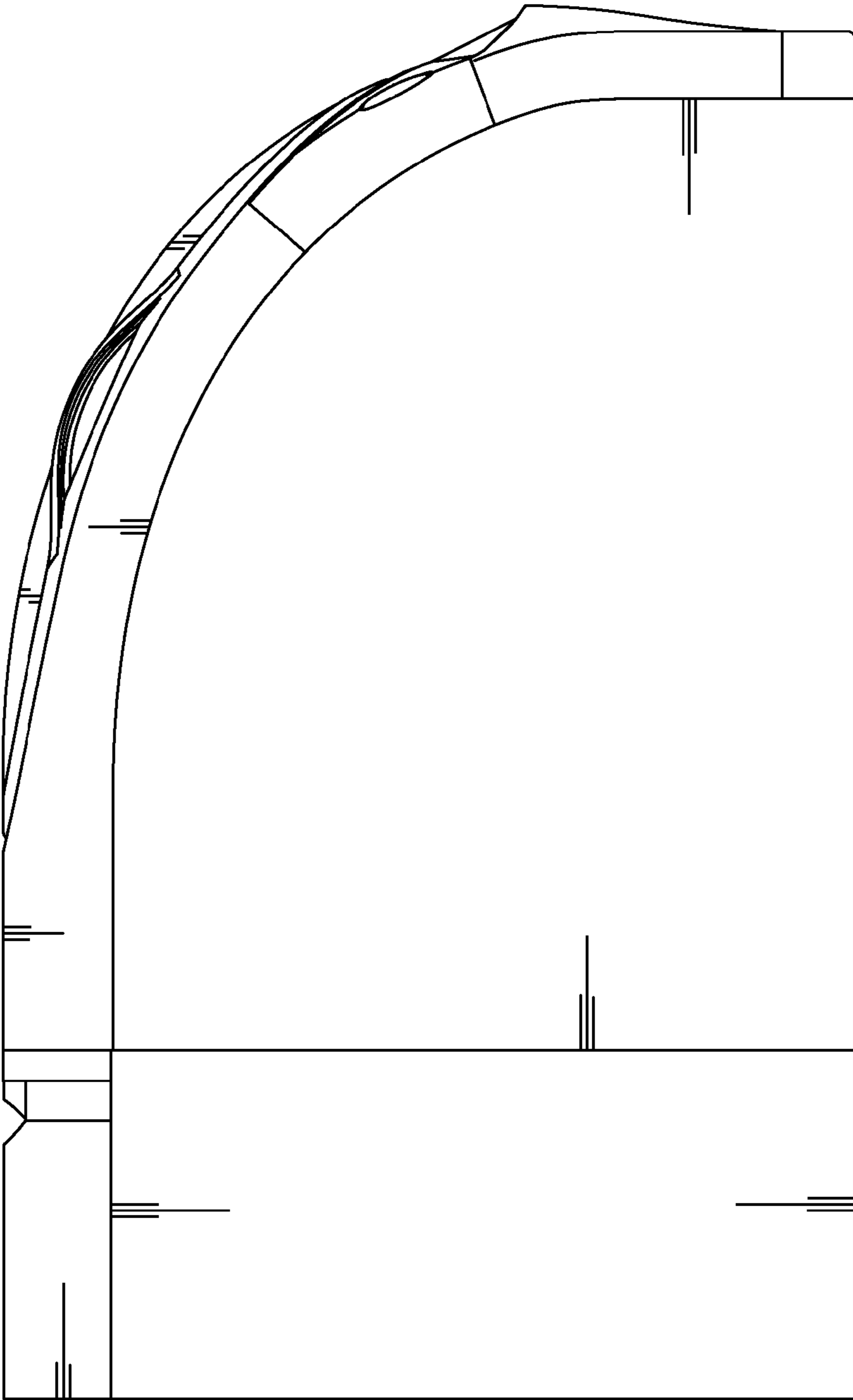


FIG. 6

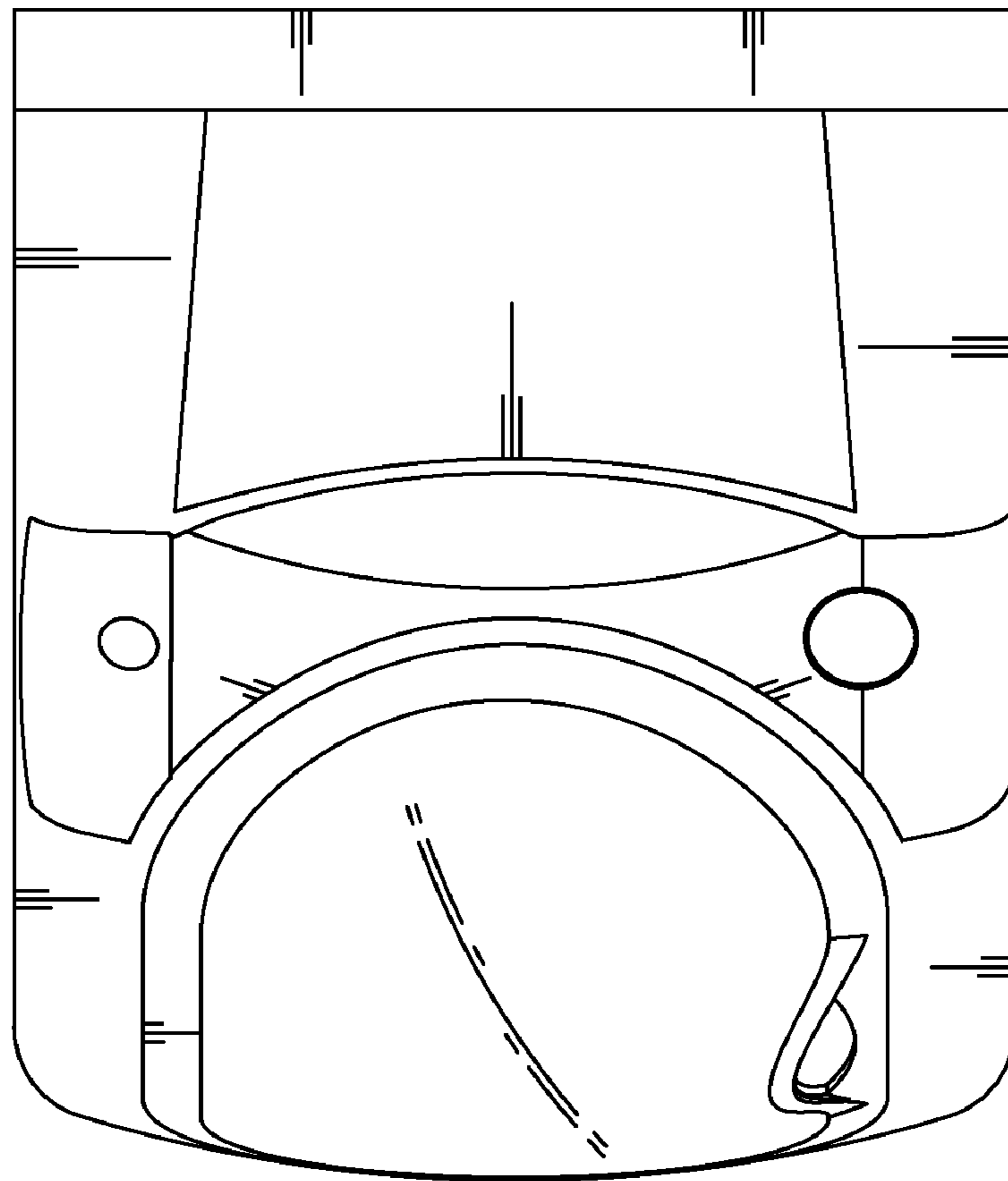


FIG. 7

