



US00D607618S

(12) **United States Design Patent**
Rutherford

(10) **Patent No.:** **US D607,618 S**
(45) **Date of Patent:** **** Jan. 5, 2010**

(54) **PET TOY**

(75) Inventor: **Ryan Rutherford**, Belleville, NJ (US)

(73) Assignee: **J.W. Pet Company, Inc.**, Teterboro, NJ (US)

(**) Term: **14 Years**

(21) Appl. No.: **29/335,011**

(22) Filed: **Apr. 7, 2009**

Related U.S. Application Data

(60) Continuation-in-part of application No. 29/306,978, filed on Apr. 21, 2008, now Pat. No. Des. 592,362, which is a division of application No. 29/266,259, filed on Sep. 15, 2006, now Pat. No. Des. 586,957, and a continuation-in-part of application No. 29/325,159, filed on Sep. 26, 2008.

(51) **LOC (9) Cl.** **30-99**

(52) **U.S. Cl.** **D30/160**

(58) **Field of Classification Search** D30/106, D30/118, 119, 160, 199, 133; 119/207, 209, 119/211, 221, 253, 269, 467, 468, 537, 702-711, 119/174, 156, 247, 28.5; D8/1; D11/149, D11/164; D6/565; D1/199, 100, 101, 106, D1/118, 120, 122, 125-128, 130; D3/6, D3/7; D21/483, 567, 803; 47/48.5, 41.01, 47/47; 222/481; 219/385, 521, 535; 285/330; 405/36; 426/104, 18, 19, 26; 428/19, 17; 248/206.2

See application file for complete search history.

(56) **References Cited**

U.S. PATENT DOCUMENTS

804,907 A 11/1905 Whitfield
811,870 A 2/1906 Quittner
1,192,441 A 7/1916 Lydecker
1,446,740 A 2/1923 Eummelen
1,450,494 A 4/1923 Eummelen
1,530,657 A 3/1925 Eummelen
D68,646 S * 11/1925 Ross D3/6

1,606,354 A * 11/1926 Fillion 362/358
1,632,380 A 6/1927 Marcus
1,718,432 A 6/1929 Qualmann
1,755,706 A 4/1930 St. George
D89,923 S 5/1933 Robison
2,031,874 A 2/1936 Butler et al.
2,066,264 A 12/1936 Fisher
2,174,725 A 10/1939 Hutaff, Jr.
2,186,351 A * 1/1940 Stojaneck 428/7
D128,779 S 8/1941 Hallenscheid
2,296,000 A 9/1942 Ojalvo
2,483,003 A 9/1949 Fischer
2,531,915 A 11/1950 Maly
D162,959 S 4/1951 Janes et al.
D164,692 S 10/1951 Kelley
D166,334 S 4/1952 Moon

(Continued)

FOREIGN PATENT DOCUMENTS

FR 2529751 1/1984
FR 2561867 10/1985

Primary Examiner—Susan Moon Lee

(74) *Attorney, Agent, or Firm*—Katten Muchin Rosenman LLP

(57) **CLAIM**

I claim the ornamental design for a pet toy, as shown and described.

DESCRIPTION

FIG. 1 is a perspective view of a pet toy;

FIG. 2 is a front view thereof;

FIG. 3 is a rear view thereof;

FIG. 4 is a left side view thereof;

FIG. 5 is a right side view thereof;

FIG. 6 is a top view thereof; and,

FIG. 7 is a bottom view thereof.

The broken lines shown do not form part of the claimed design.

1 Claim, 4 Drawing Sheets



US D607,618 S

Page 2

U.S. PATENT DOCUMENTS

D167,326 S	7/1952	Verosub et al.	D333,071 S	2/1993	Lim	
2,699,752 A	1/1955	Reyes	5,272,316 A *	12/1993	Chesnut	219/385
D174,580 S	4/1955	Kiehl	5,275,126 A *	1/1994	Peterson	119/537
2,707,937 A	5/1955	Herman	D347,957 S	6/1994	Kea	
2,731,949 A	1/1956	Arnold	5,351,645 A	10/1994	Brennon	
2,800,105 A	7/1957	Ilg	D352,575 S	11/1994	Bransky et al.	
2,808,807 A	10/1957	Winton, et al.	5,365,884 A *	11/1994	Jones	119/256
2,828,963 A	4/1958	Steiner	D353,693 S	12/1994	Lawson	
2,943,600 A	7/1960	Rosoff	D355,732 S	2/1995	Huff	
3,017,589 A	1/1962	Chass	5,397,033 A	3/1995	Blomquist	
3,044,201 A *	7/1962	Lalick	D358,967 S	6/1995	Knighton	
D197,758 S	3/1964	Schreckengost	5,423,290 A *	6/1995	Payne	119/329
3,123,047 A *	3/1964	Fisher	D371,226 S	6/1996	Lee	
3,142,935 A *	8/1964	Campos	D371,227 S	6/1996	Lee	
3,181,504 A	5/1965	Stortz	5,612,500 A	3/1997	Liang	
3,185,133 A	5/1965	Bird	D379,843 S *	6/1997	Wood	D23/215
D208,410 S	8/1967	Jacobsen	D387,633 S *	12/1997	Whalen	D8/1
D210,567 S	3/1968	Stanziale	5,699,752 A	12/1997	Wilkins	
D212,111 S	8/1968	Zaretsky	D393,108 S	3/1998	Atchley	
D221,387 S	8/1971	Bacon	5,819,687 A *	10/1998	Lister	119/52.1
3,667,714 A	6/1972	Ziaylek, Jr.	D407,952 S	4/1999	Kendrick	
3,678,901 A	7/1972	Dulle	5,893,338 A	4/1999	Campbell et al.	
3,707,949 A	1/1973	Lippi	5,949,456 A	9/1999	Matsumoto et al.	
3,815,282 A	6/1974	Frost	D428,220 S *	7/2000	Veits et al.	D30/160
3,829,349 A *	8/1974	Hermanson	D430,326 S	8/2000	Littman	
D233,386 S	10/1974	Hammett	6,189,489 B1	2/2001	Pearce	
3,911,866 A	10/1975	Dodd	6,308,657 B1	10/2001	Schumacher et al.	
D239,852 S *	5/1976	Stake	6,360,693 B1 *	3/2002	Long, III	119/707
D249,566 S	9/1978	Wilhelm	6,374,772 B1	4/2002	Brandt	
4,188,745 A	2/1980	Harvey et al.	6,408,788 B1	6/2002	Lieb et al.	
D274,013 S	5/1984	Sun	D461,025 S *	7/2002	Pentland et al.	D30/160
4,450,789 A	5/1984	Nilsen et al.	6,457,439 B1	10/2002	Engelking	
4,542,714 A	9/1985	Ingraham et al.	6,561,129 B1	5/2003	Cheng	
4,574,738 A	3/1986	Tominaga	D486,682 S	2/2004	Zins et al.	
4,634,089 A	1/1987	Wright et al.	6,736,088 B1	5/2004	McGregor et al.	
4,649,665 A *	3/1987	McBride	D546,402 S *	7/2007	Sonnier	D21/662
4,655,723 A	4/1987	Marason et al.	D552,189 S *	10/2007	Orzeck	D21/483
4,732,112 A	3/1988	Fenner et al.	D563,610 S *	3/2008	Leo	D30/160
4,762,086 A	8/1988	Atchley	7,392,763 B2	7/2008	Willinger et al.	
4,824,687 A *	4/1989	Yasuno	D594,954 S *	6/2009	Wheatley	D23/366
4,895,109 A	1/1990	De Groot et al.	D597,264 S *	7/2009	Hsieh	D30/160
5,018,480 A *	5/1991	Goldman et al.	2004/0108337 A1	6/2004	Makino et al.	
5,022,345 A	6/1991	Bolivar et al.	2005/0028749 A1	2/2005	Willinger et al.	

* cited by examiner

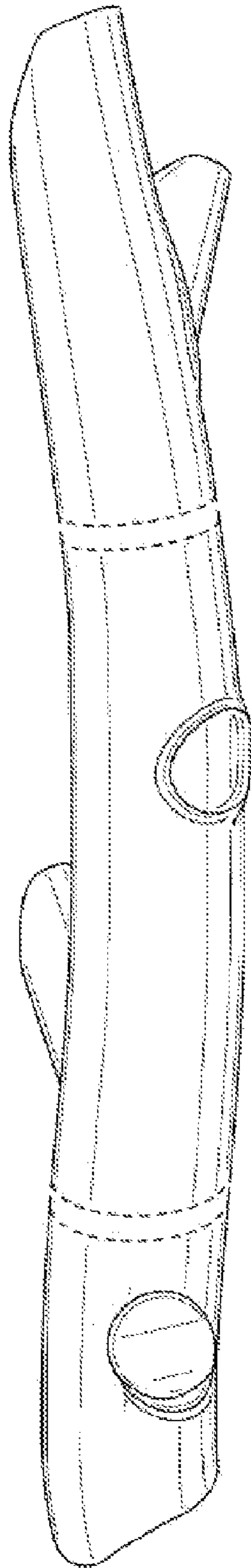


FIG. 1

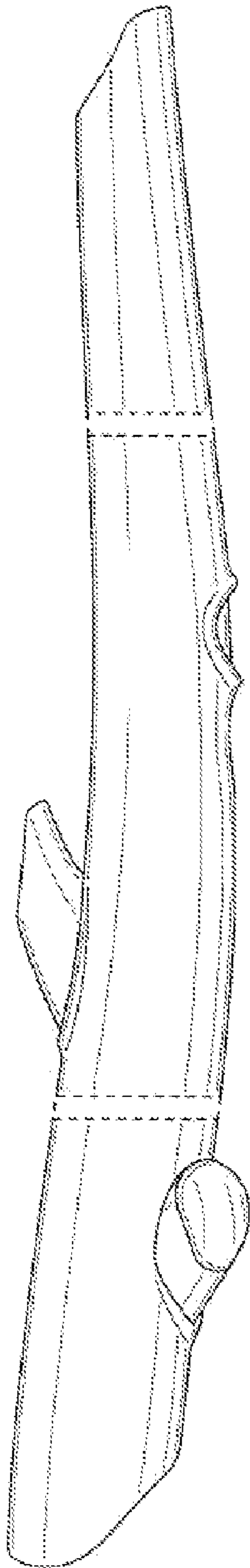


FIG. 2

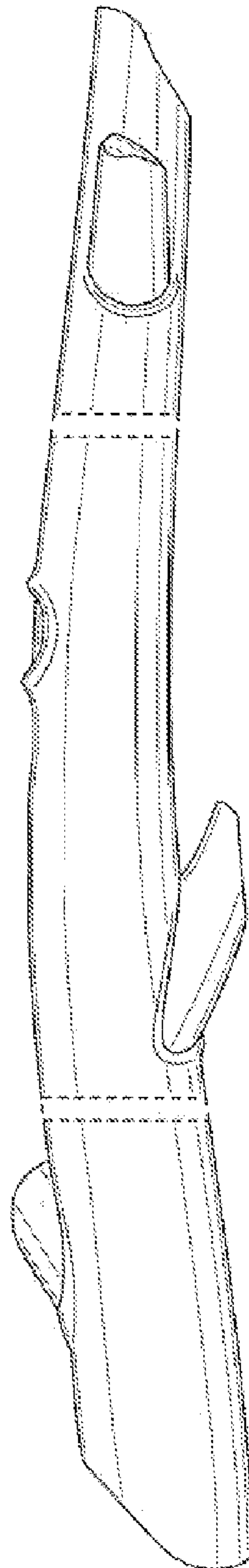


FIG. 3

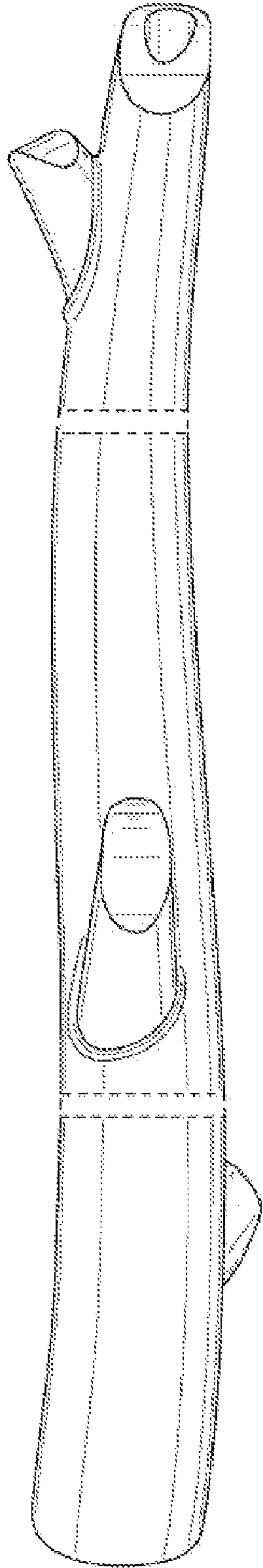


FIG. 4

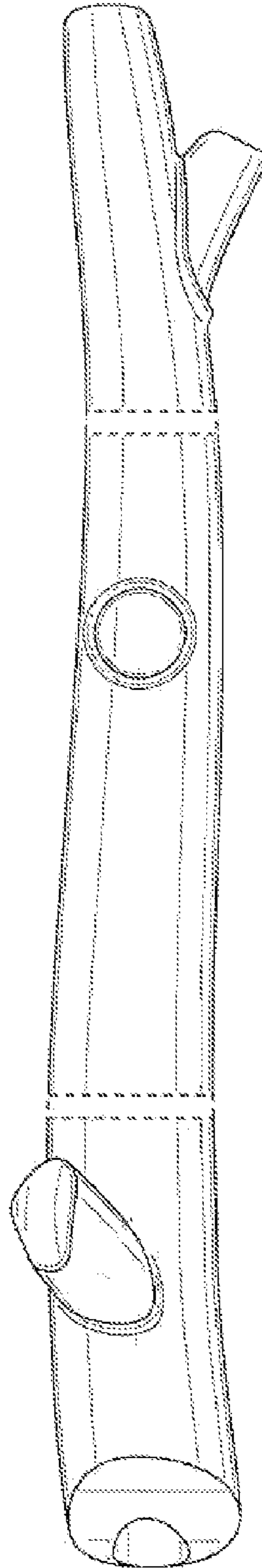


FIG. 5

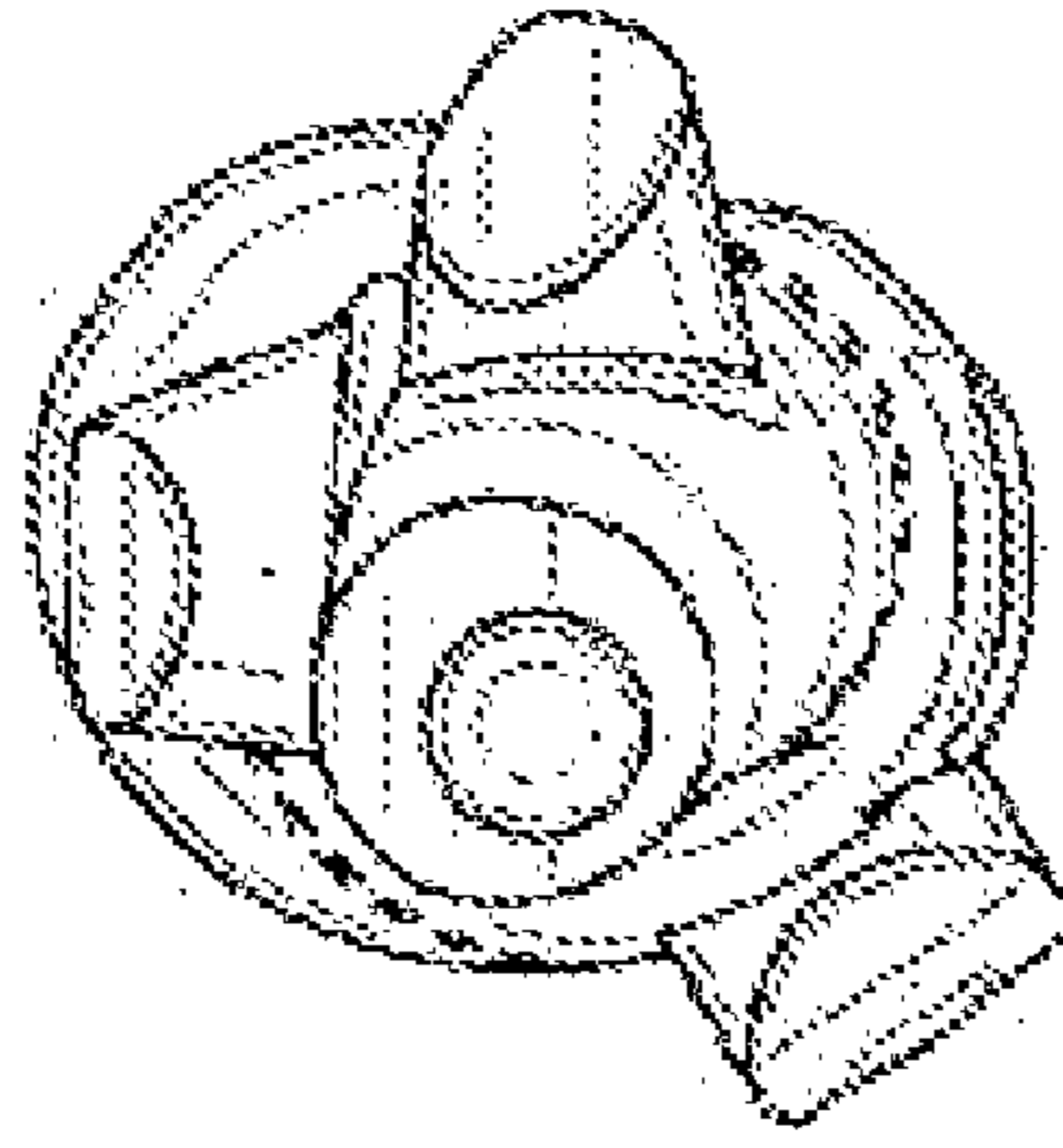


FIG. 6

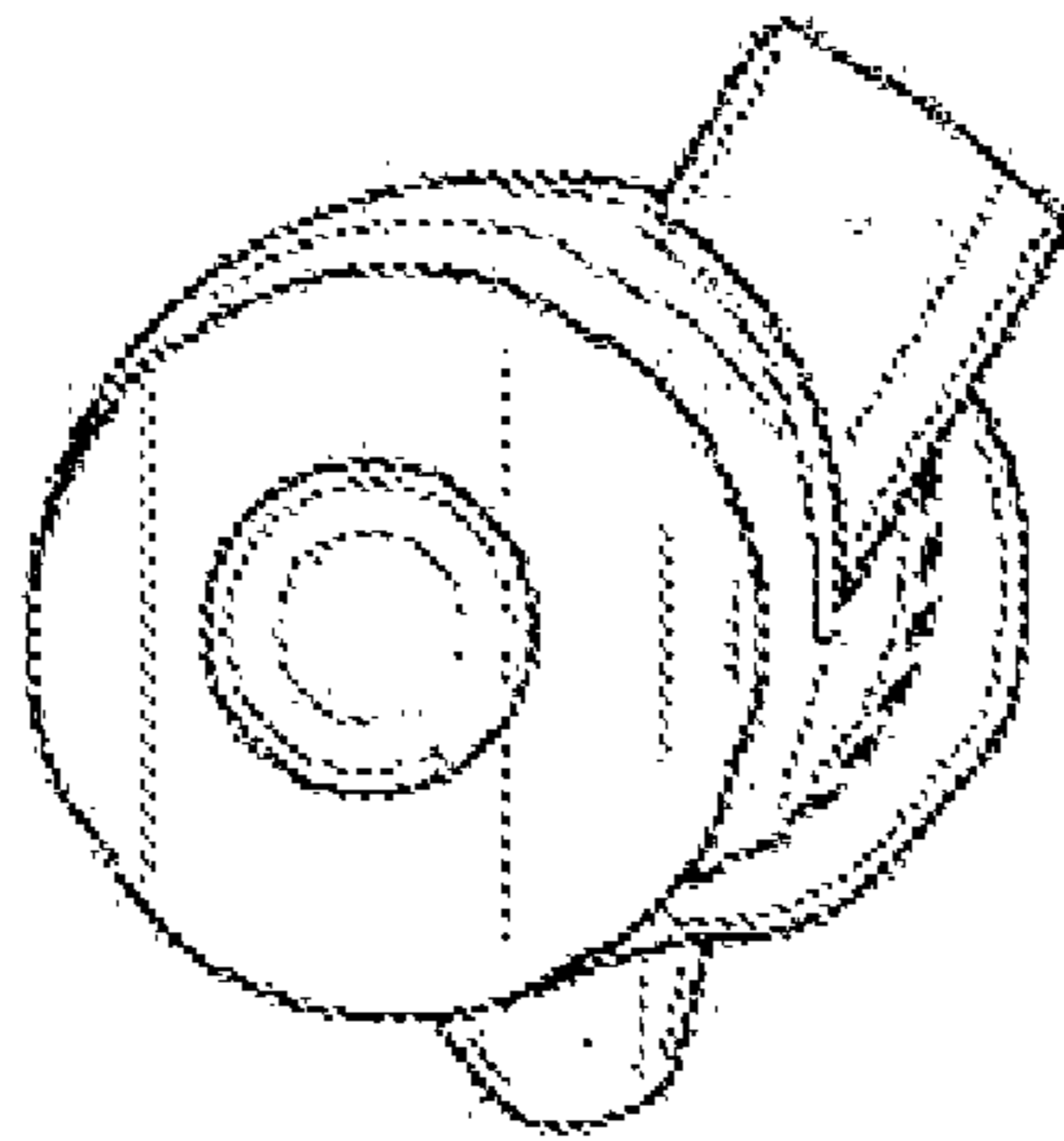


FIG. 7