



US00D607616S

(12) **United States Design Patent**
Newsome et al.

(10) **Patent No.:** **US D607,616 S**
(45) **Date of Patent:** **** Jan. 5, 2010**

- (54) **PET BOWL SCOOP**
- (75) Inventors: **Gwendolyn Newsome**, Omaha, NE (US); **Allan G. Ross**, Masury, OH (US)
- (73) Assignee: **Sergeant's Pet Care Products**, Omaha, NE (US)
- (**) Term: **14 Years**
- (21) Appl. No.: **29/295,481**
- (22) Filed: **Sep. 28, 2007**
- (51) **LOC (9) Cl.** **30-03**
- (52) **U.S. Cl.** **D30/129**
- (58) **Field of Classification Search** D30/121, D30/122, 129-133; 119/61.5, 51.01, 61.56, 119/51.03, 59, 62, 63, 51.5, 57.8, 74, 61.54, 119/61.55, 61; 312/204; 248/151, 188; 108/156, 108/153.1-157; 220/23.87, 630, 737, 743, 220/9.4, 495.01, 574, 212, 255, 23.83, 575; 206/515; D7/586, 543, 550.1, 587, 505, D7/584, 545, 500, 553.1-553.8, 546, 555, D7/556, 504, 565, 562, 602, 507, 549, 558, D7/552.2, 560, 566, 548, 681; D9/429; 43/109; D22/122; 99/430, DIG. 15
See application file for complete search history.

- D279,445 S * 7/1985 Jagger D7/558
- D285,515 S * 9/1986 Papciak D7/509
- D296,746 S * 7/1988 Wiinblad D7/587
- 4,936,479 A * 6/1990 Levy et al. 220/4.21
- 5,294,467 A * 3/1994 Hoodes 428/34.1
- D373,932 S * 9/1996 Onneweer D7/543
- 5,626,256 A * 5/1997 Onneweer 220/574
- D409,448 S * 5/1999 Hudson et al. D7/543
- D415,657 S * 10/1999 Cornelissen D7/566
- D415,933 S * 11/1999 Cornelissen D7/587
- D432,280 S * 10/2000 Quinlan et al. D30/129
- D439,707 S * 3/2001 Hansen et al. D30/129
- D441,257 S * 5/2001 Indekeu D7/558
- D467,044 S * 12/2002 Tangolics D30/129
- D471,406 S * 3/2003 Wellner D7/584
- D471,677 S * 3/2003 Northrop D30/129
- D472,021 S * 3/2003 Northrop D30/129
- D473,758 S * 4/2003 Wilson D7/587
- 6,619,230 B1 * 9/2003 Kimbrough et al. 119/61.56
- D498,564 S * 11/2004 Northrop et al. D30/121
- D504,196 S * 4/2005 Huthmaker et al. D30/129

(Continued)

Primary Examiner—Susan Moon Lee
(74) *Attorney, Agent, or Firm*—Polsinelli Shughart PC

(57) **CLAIM**

We claim the ornamental design for a pet bowl scoop, as shown and described.

(56) **References Cited**

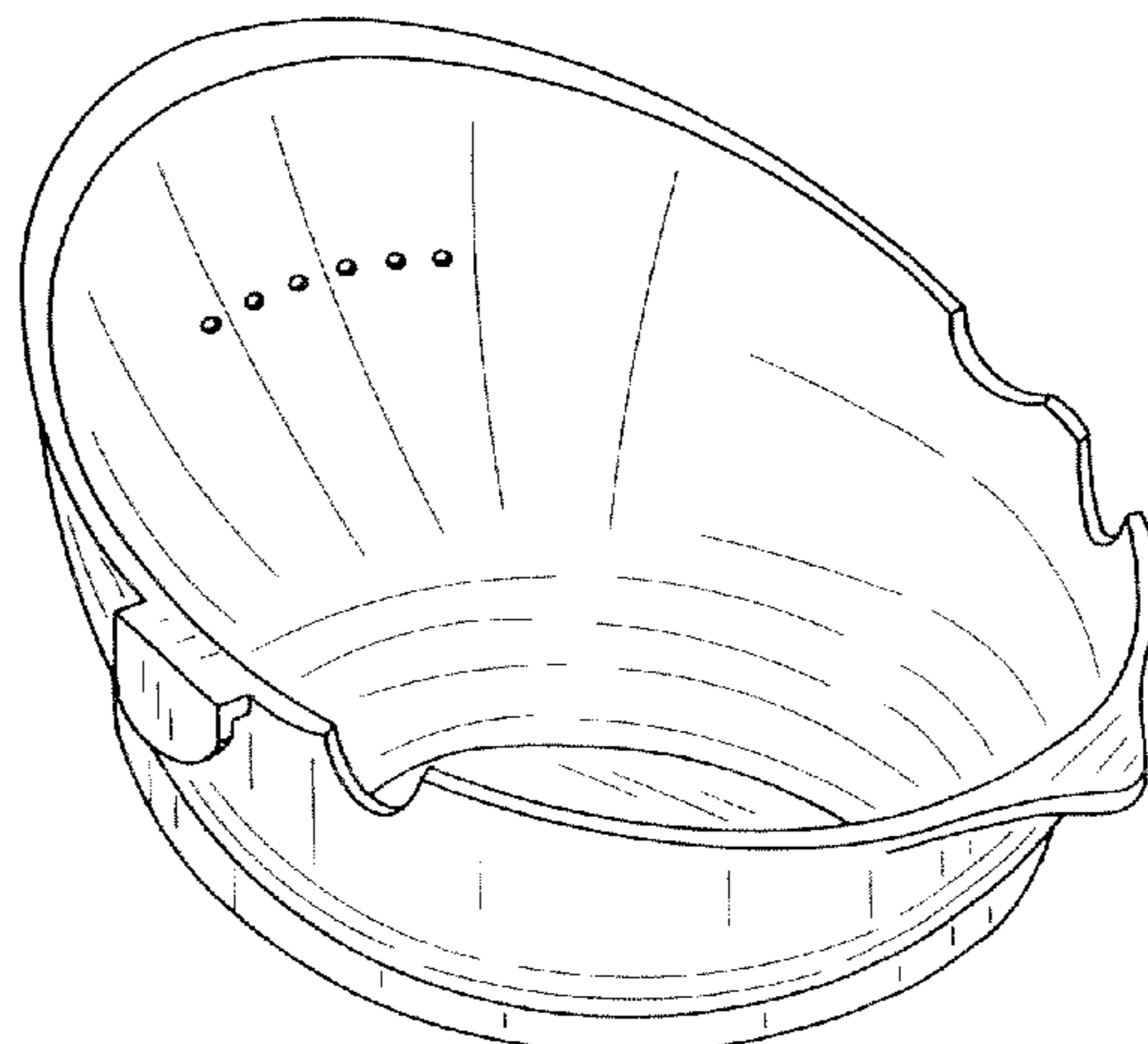
U.S. PATENT DOCUMENTS

- 165,698 A * 7/1875 Alexander 220/635
- 766,427 A * 8/1904 Crowell 220/575
- 1,220,495 A * 3/1917 Cadby 220/574
- D101,721 S * 10/1936 Spinelli et al. D7/513
- D144,905 S * 6/1946 Cameron D7/535
- D154,225 S * 6/1949 Varney D7/315
- D167,166 S * 7/1952 Rodier D7/318
- D170,735 S * 10/1953 Zeisel D7/543
- D170,788 S * 11/1953 Zeisel D7/586
- D180,012 S * 4/1957 Buechler D7/505
- D180,329 S * 5/1957 Highberger D7/587
- 3,611,998 A * 10/1971 Loscalzo 119/61.54
- D247,737 S * 4/1978 Alexander et al. D7/691
- 4,351,444 A * 9/1982 Majewski 220/575

DESCRIPTION

- FIG. 1 is a perspective view of a pet bowl scoop design;
- FIG. 2 is a front view of a pet bowl scoop design;
- FIG. 3 is a rear view of a pet bowl scoop design;
- FIG. 4 is a top view of a pet bowl scoop design;
- FIG. 5 is a bottom view of a pet bowl scoop design;
- FIG. 6 is a left side view of a pet bowl scoop design; and,
- FIG. 7 is a right side view of a pet bowl scoop design.

1 Claim, 2 Drawing Sheets



US D607,616 S

Page 2

U.S. PATENT DOCUMENTS

D504,799 S *	5/2005	Lawson et al.	D7/505	D545,630 S *	7/2007	Serra	D7/560
D523,695 S *	6/2006	Haataja	D7/543	D547,615 S *	7/2007	Wasserman et al.	D7/560
D526,850 S *	8/2006	Sellers et al.	D7/545	D548,014 S *	8/2007	Kell	D7/584
7,156,250 B2 *	1/2007	Tillmann et al.	220/9.2	D550,511 S *	9/2007	Luft	D7/566
D538,599 S *	3/2007	Miller	D7/586	D551,025 S *	9/2007	Serra	D7/560
D540,623 S *	4/2007	Schreiber-Pethan et al. ..	D7/584	D551,510 S *	9/2007	Serra	D7/560
D545,629 S *	7/2007	Mellen et al.	D7/543	D564,844 S *	3/2008	Schreiber-Pethan et al. ..	D7/586
				D574,195 S *	8/2008	LeVan	D7/586

* cited by examiner

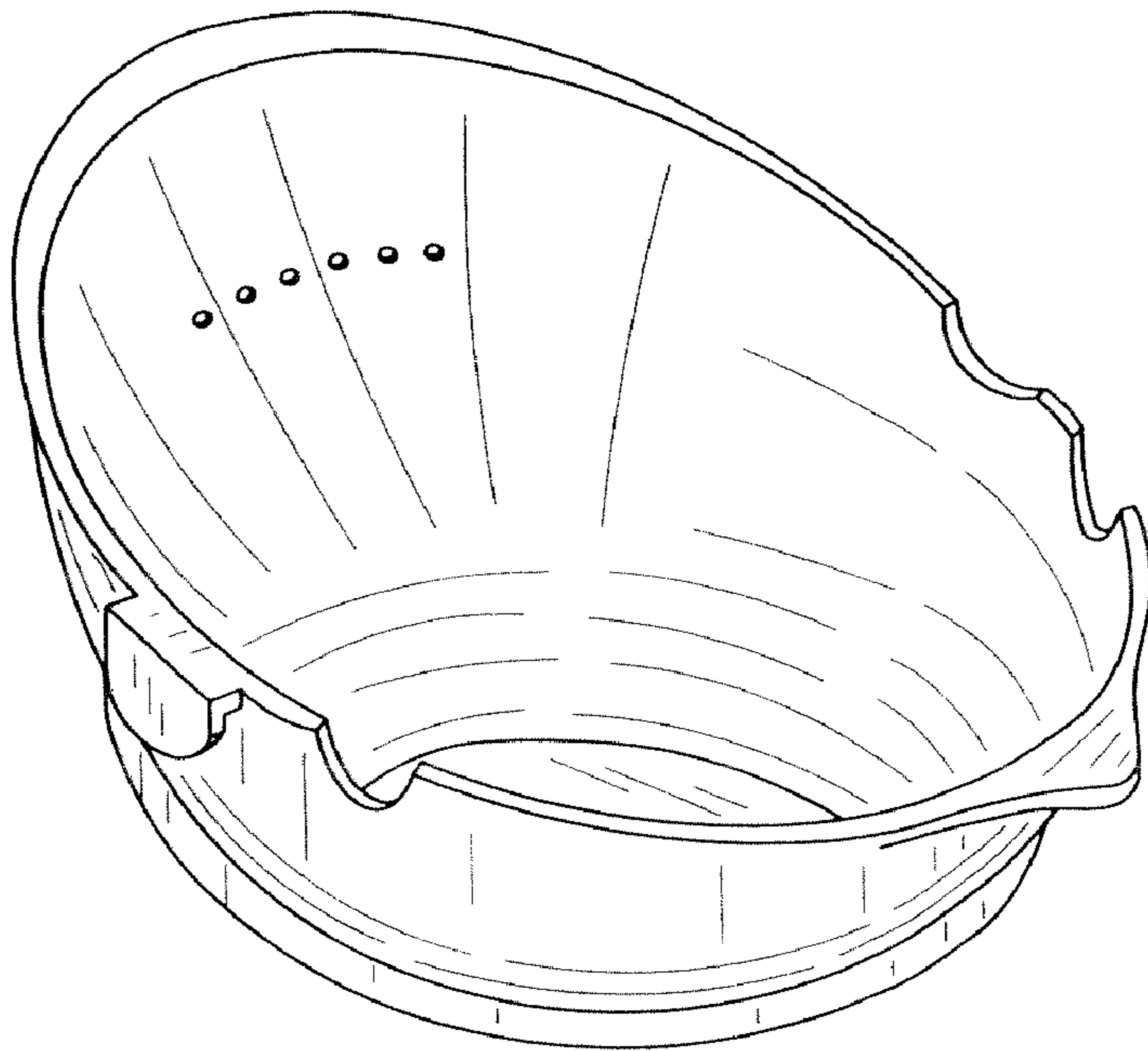


FIG. 1

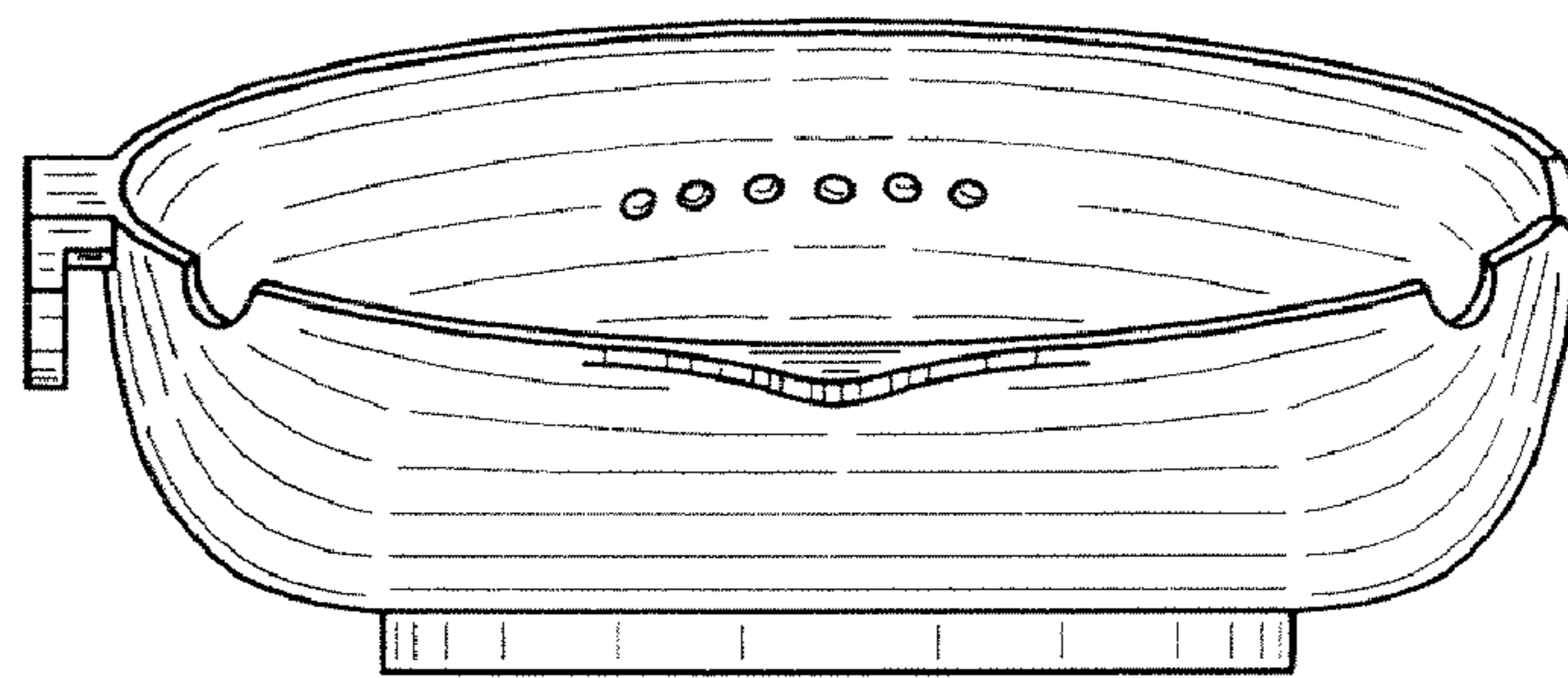


FIG. 2

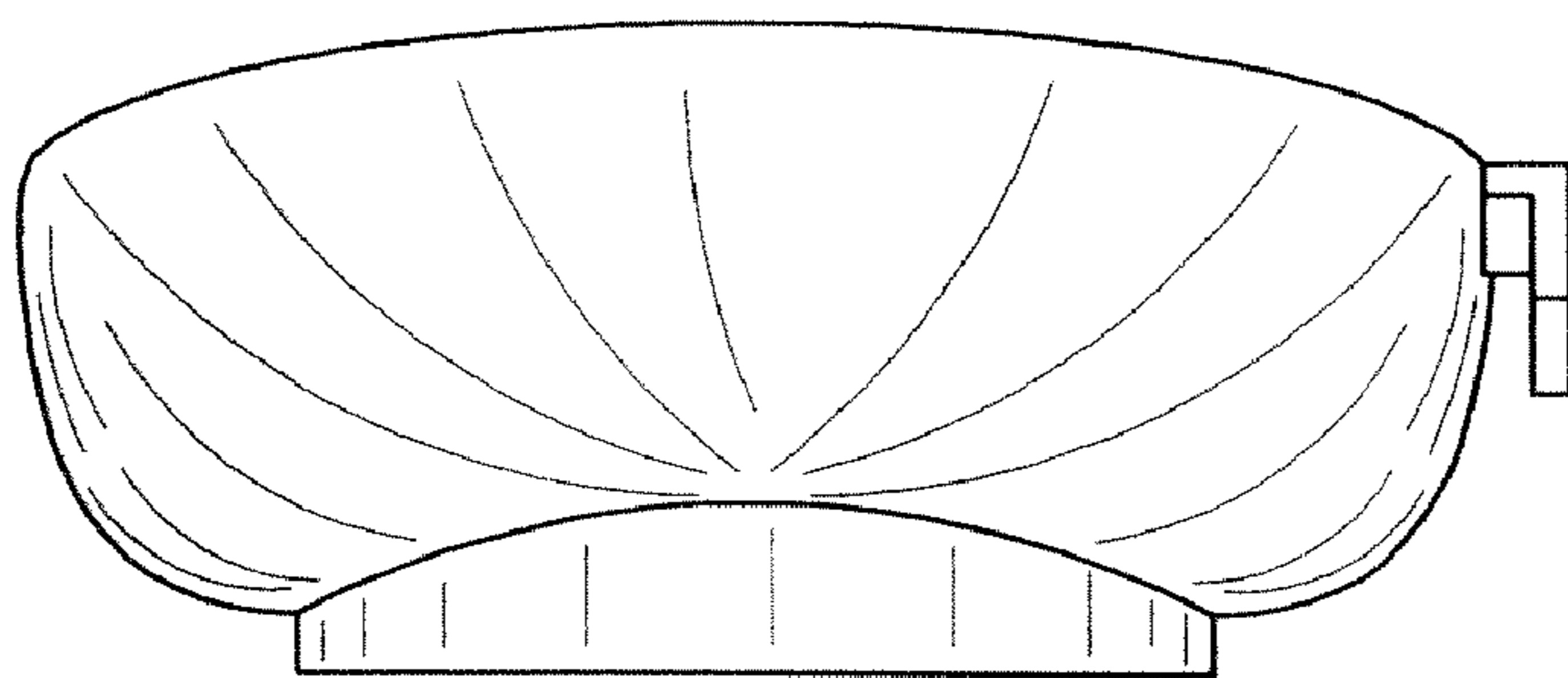


FIG. 3

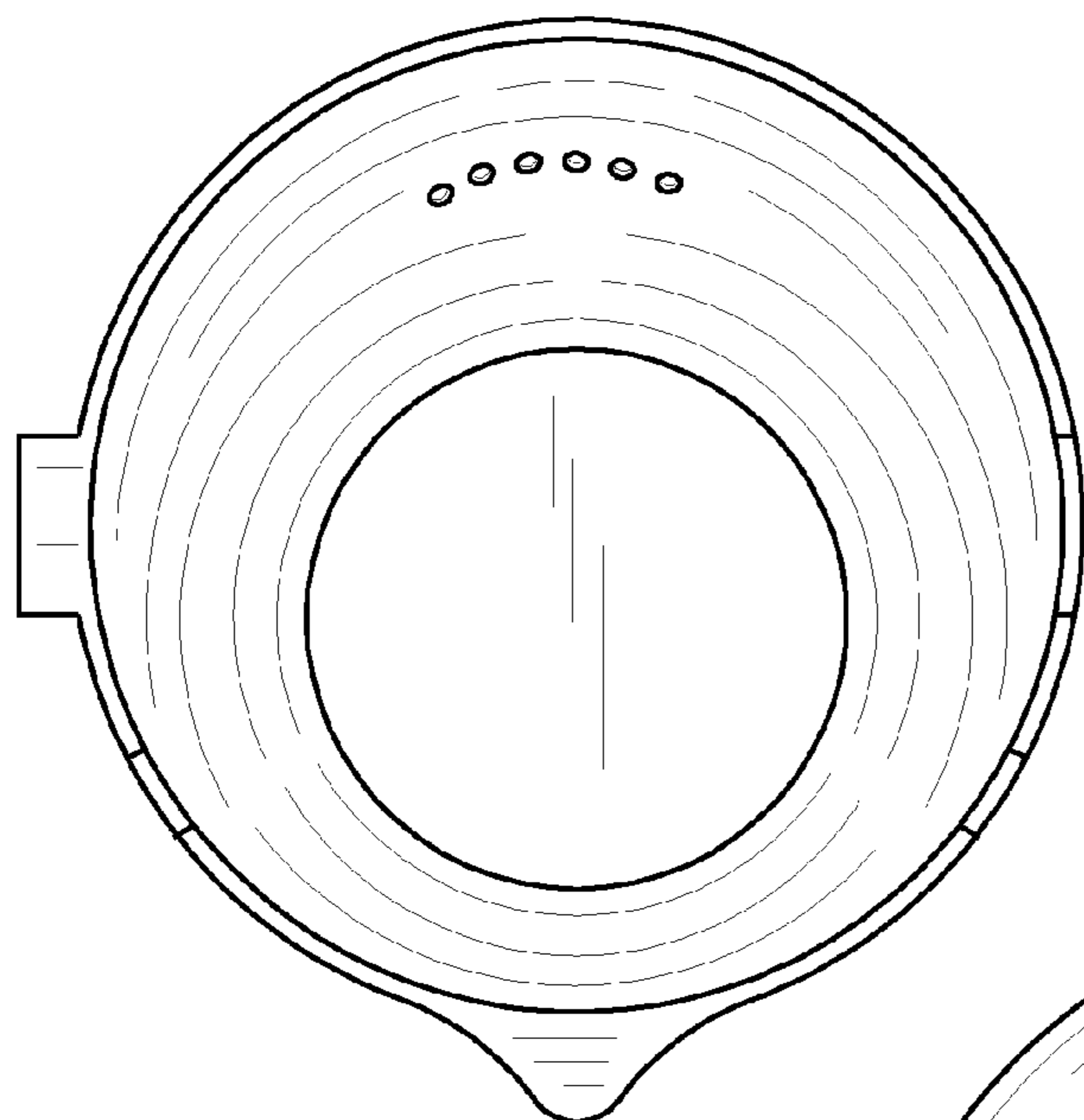


FIG. 4

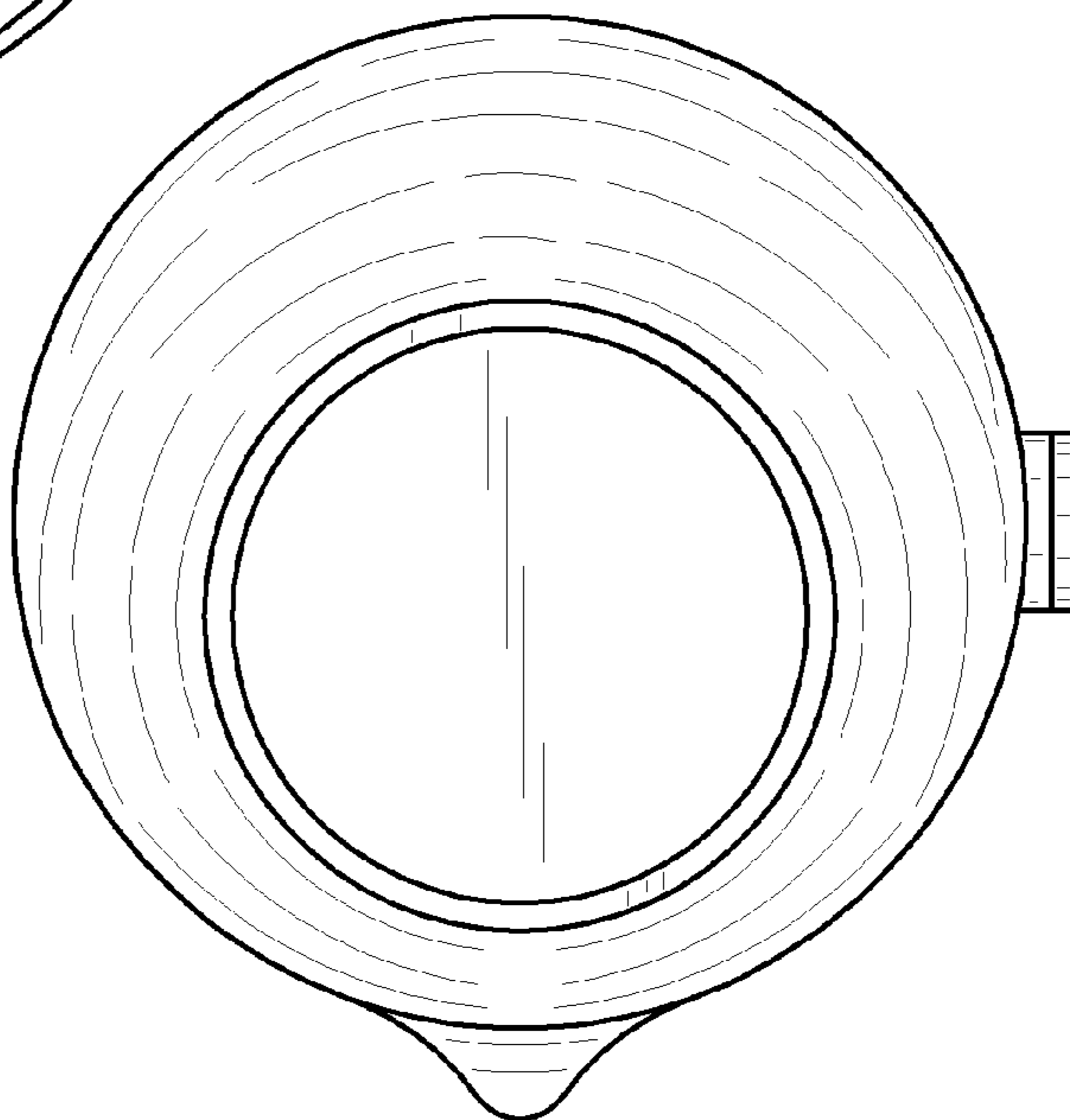


FIG. 5

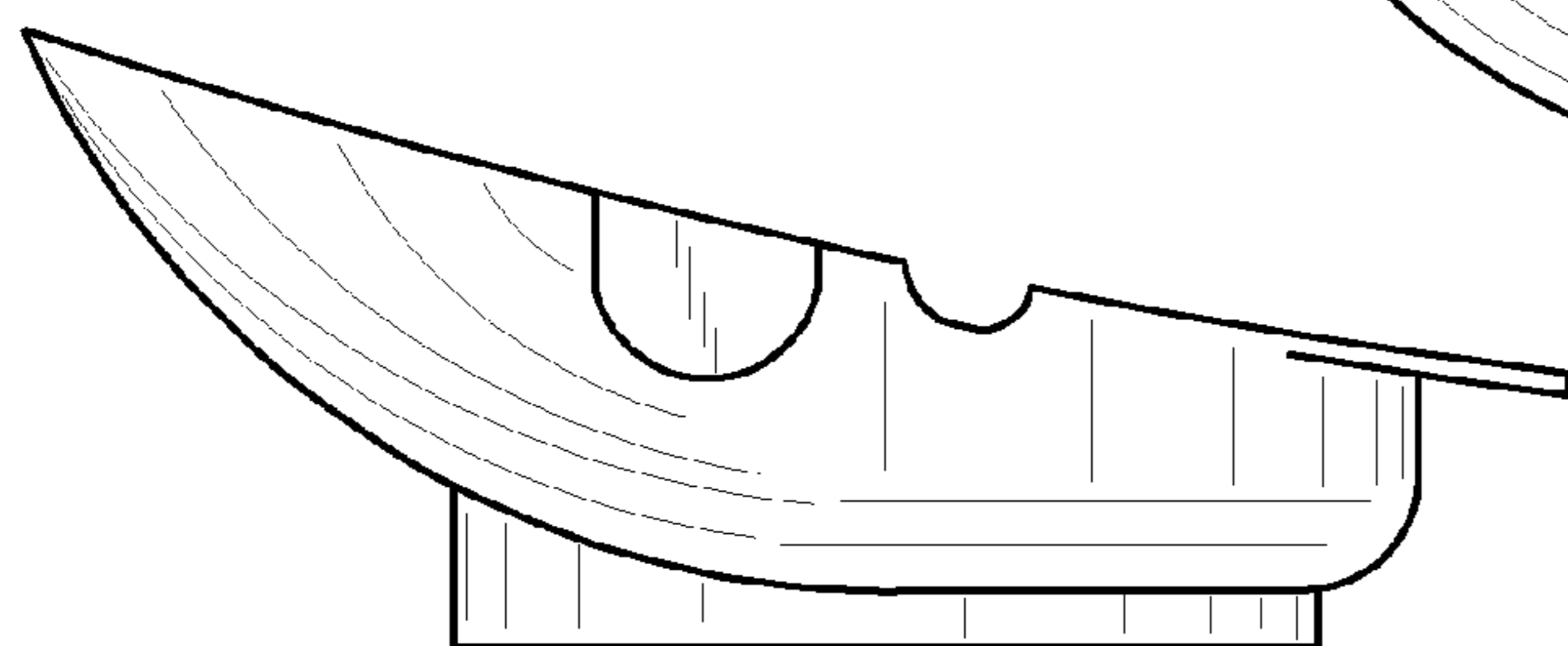


FIG. 6

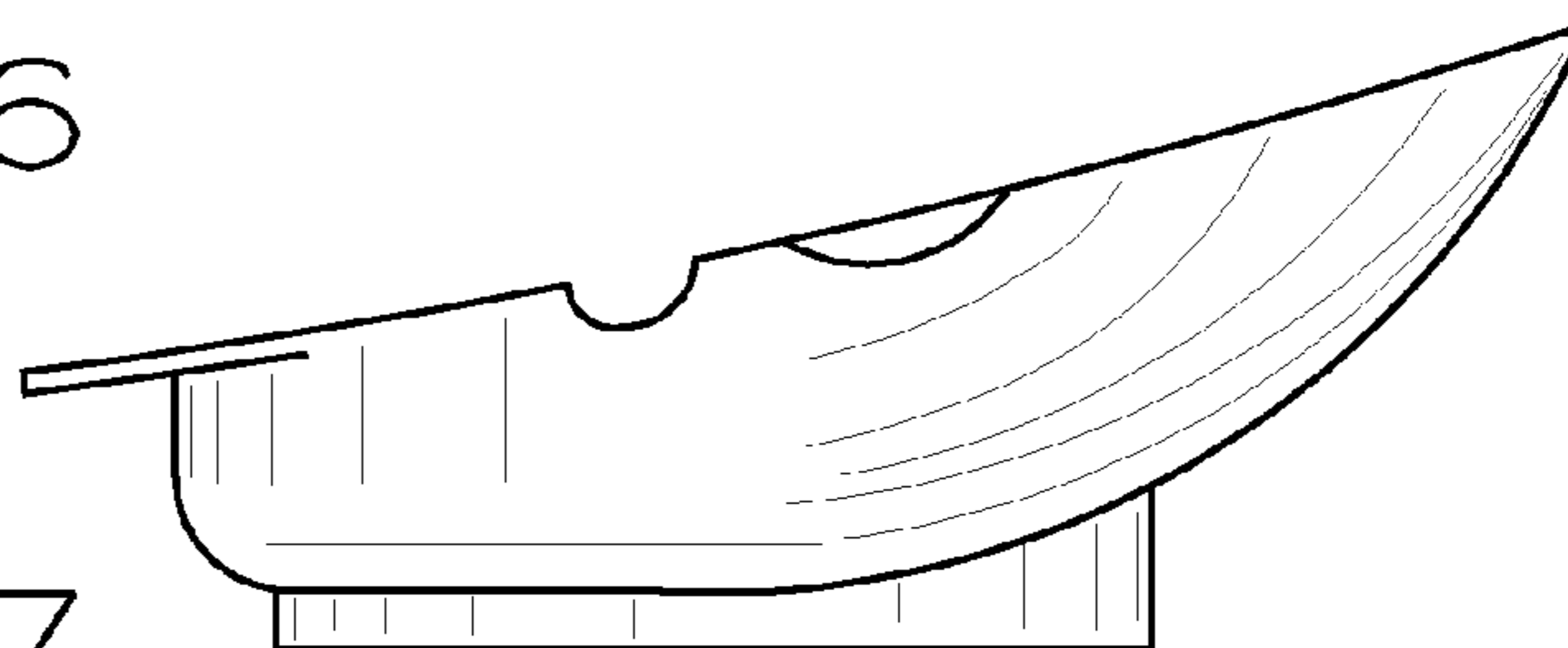


FIG. 7