



US00D607615S

(12) **United States Design Patent**  
**Yang**

(10) **Patent No.:** **US D607,615 S**  
(45) **Date of Patent:** **\*\* Jan. 5, 2010**

(54) **BIRDCAGE STAND**

(75) Inventor: **Leon Yang**, Brooklyn, NY (US)

(73) Assignee: **Marvelous Pet Supplies, LLC**,  
Lutherville, MD (US)

(\*\*) Term: **14 Years**

(21) Appl. No.: **29/318,217**

(22) Filed: **May 15, 2008**

(51) **LOC (9) Cl.** ..... **30-02**

(52) **U.S. Cl.** ..... **D30/120; D30/119**

(58) **Field of Classification Search** ..... D30/101,  
D30/108, 110, 119, 120, 161, 168, 121, 122,  
D30/124, 128, 133; 119/468, 51.1, 52.2,  
119/52.3, 55, 459, 467; D6/552, 431, 403,  
D6/405; D26/138; 248/163.2, 155, 154,  
248/161, 168; D16/244

See application file for complete search history.

(56) **References Cited**

**U.S. PATENT DOCUMENTS**

1,719,493	A *	7/1929	Tullis	.....	248/159
1,911,921	A *	5/1933	Nijveldt	.....	119/487
2,248,273	A *	7/1941	Krajnc	.....	248/154
2,619,314	A *	11/1952	Doolittle	.....	248/317
2,864,335	A *	12/1958	Yellin	.....	119/461
3,683,857	A *	8/1972	Yellin	.....	119/461
D287,650	S *	1/1987	Braeuner	.....	D30/110
5,000,121	A *	3/1991	Daily	.....	119/461

D336,556	S *	6/1993	Payne et al.	.....	D30/133
D360,495	S *	7/1995	Sanderson	.....	D30/123
D373,689	S *	9/1996	Lladro Roig et al.	.....	D6/436
D432,278	S *	10/2000	Navratil	.....	D30/110
2003/0209205	A1 *	11/2003	Plante et al.	.....	119/461

\* cited by examiner

*Primary Examiner*—Stella M Reid

*Assistant Examiner*—Rashida C McCoy

(74) *Attorney, Agent, or Firm*—Greenberg Traurig, LLP;  
David J. Dykeman; Joanna T. Brougher

(57) **CLAIM**

The ornamental designs for a birdcage stand, as shown and described.

**DESCRIPTION**

FIG. 1 is a perspective view of a birdcage stand, showing my new design in use;

FIG. 2 is a front view of a birdcage stand;

FIG. 3 is a rear view thereof;

FIG. 4 is a right side view thereof;

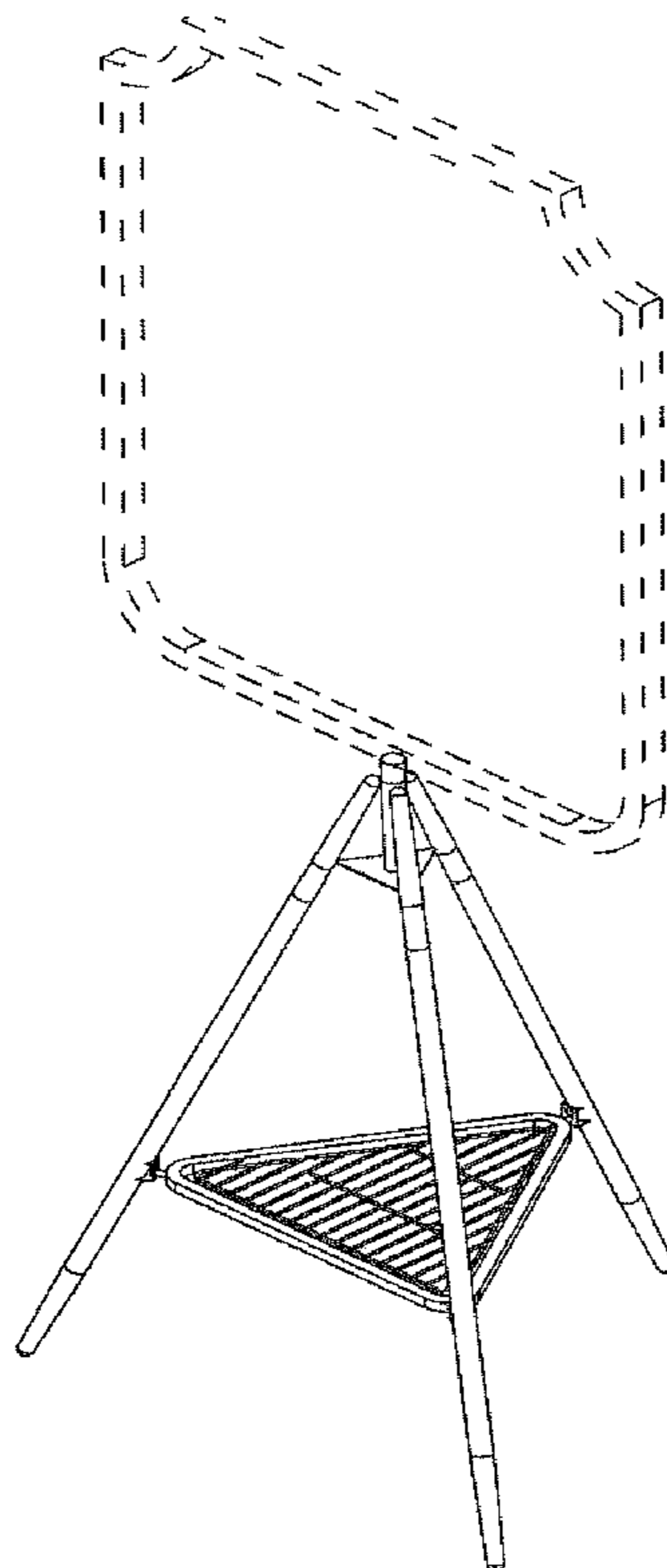
FIG. 5 is a left side view thereof;

FIG. 6 is a top plan view thereof; and,

FIG. 7 is a bottom plan view thereof.

The broken line showing of the cage holder in FIG. 1 is for illustrative purposes and forms no part of the claimed design.

**1 Claim, 7 Drawing Sheets**



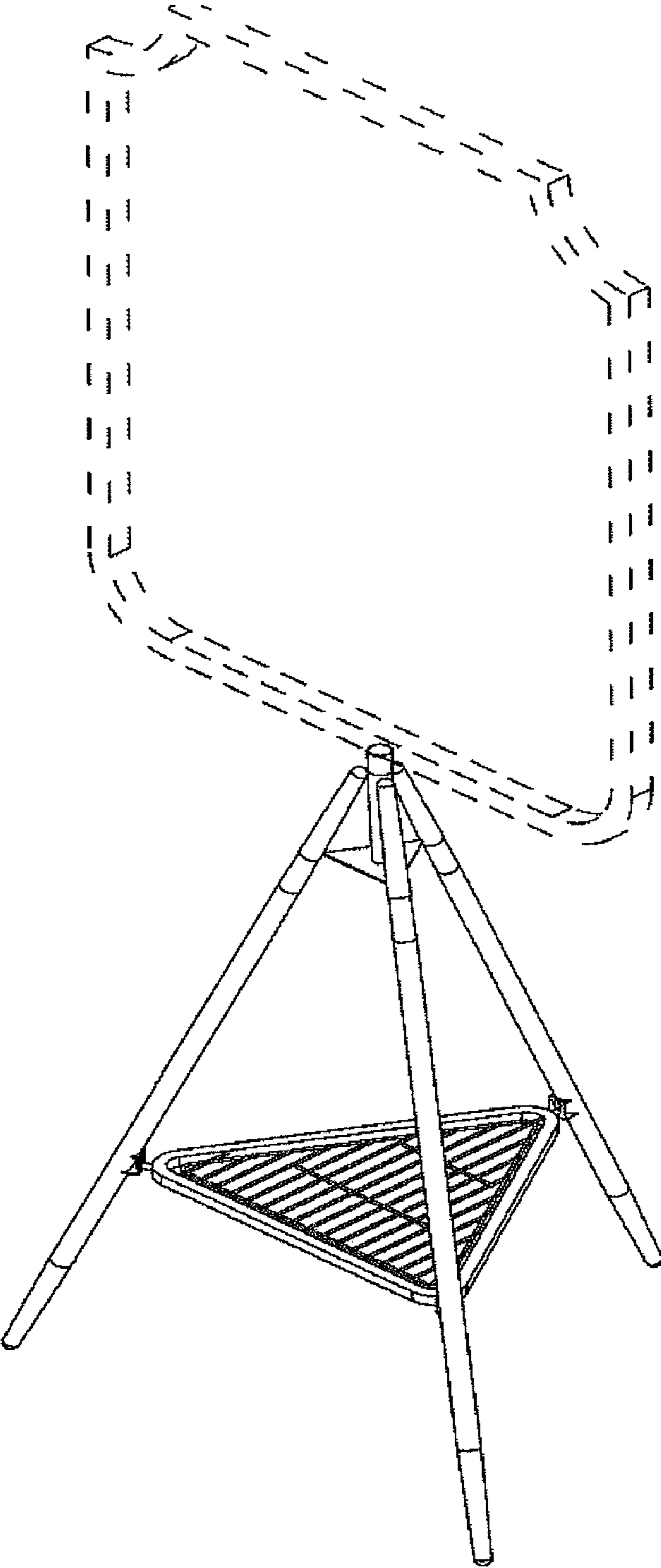


FIG 1

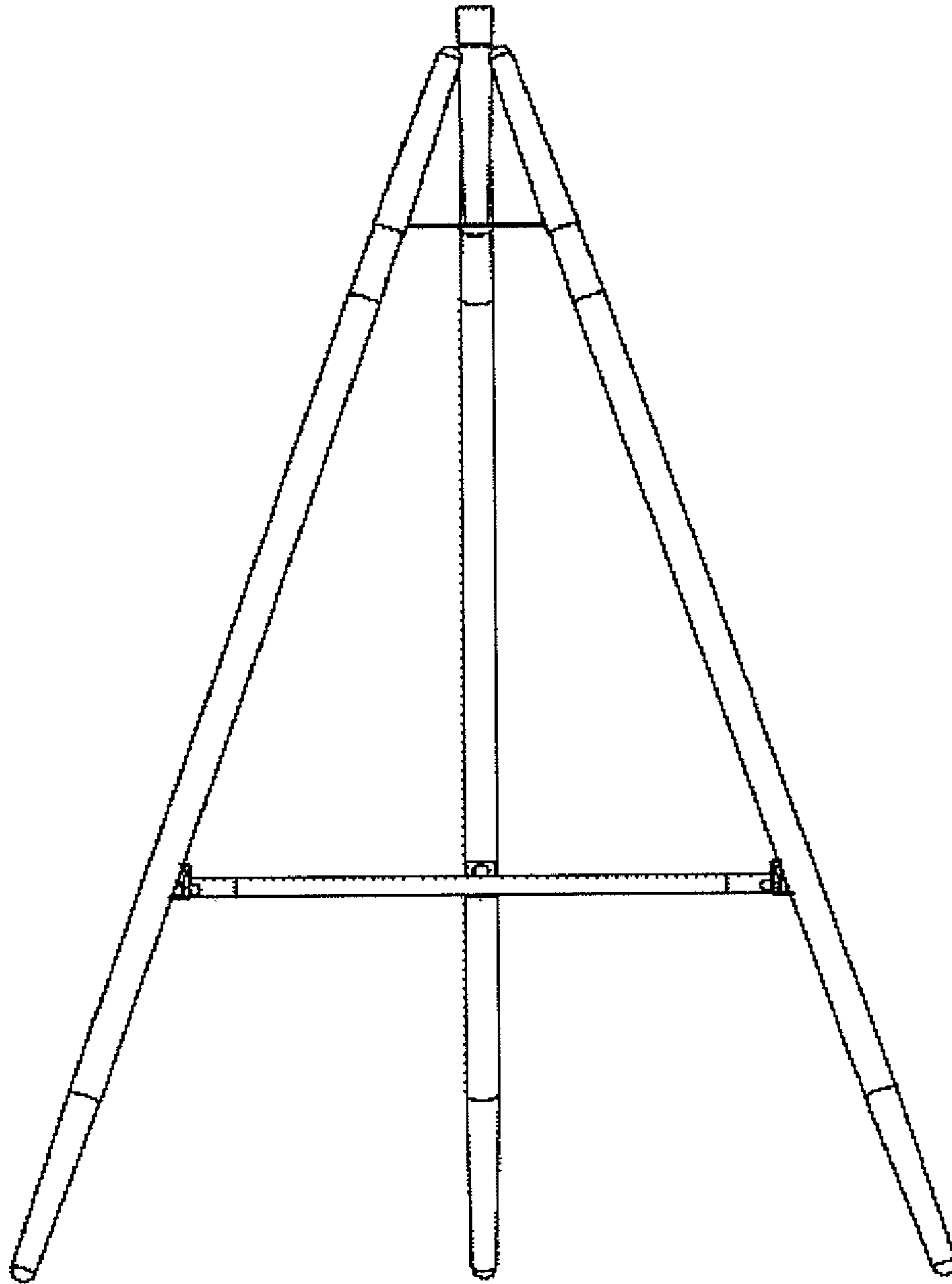


FIG 2

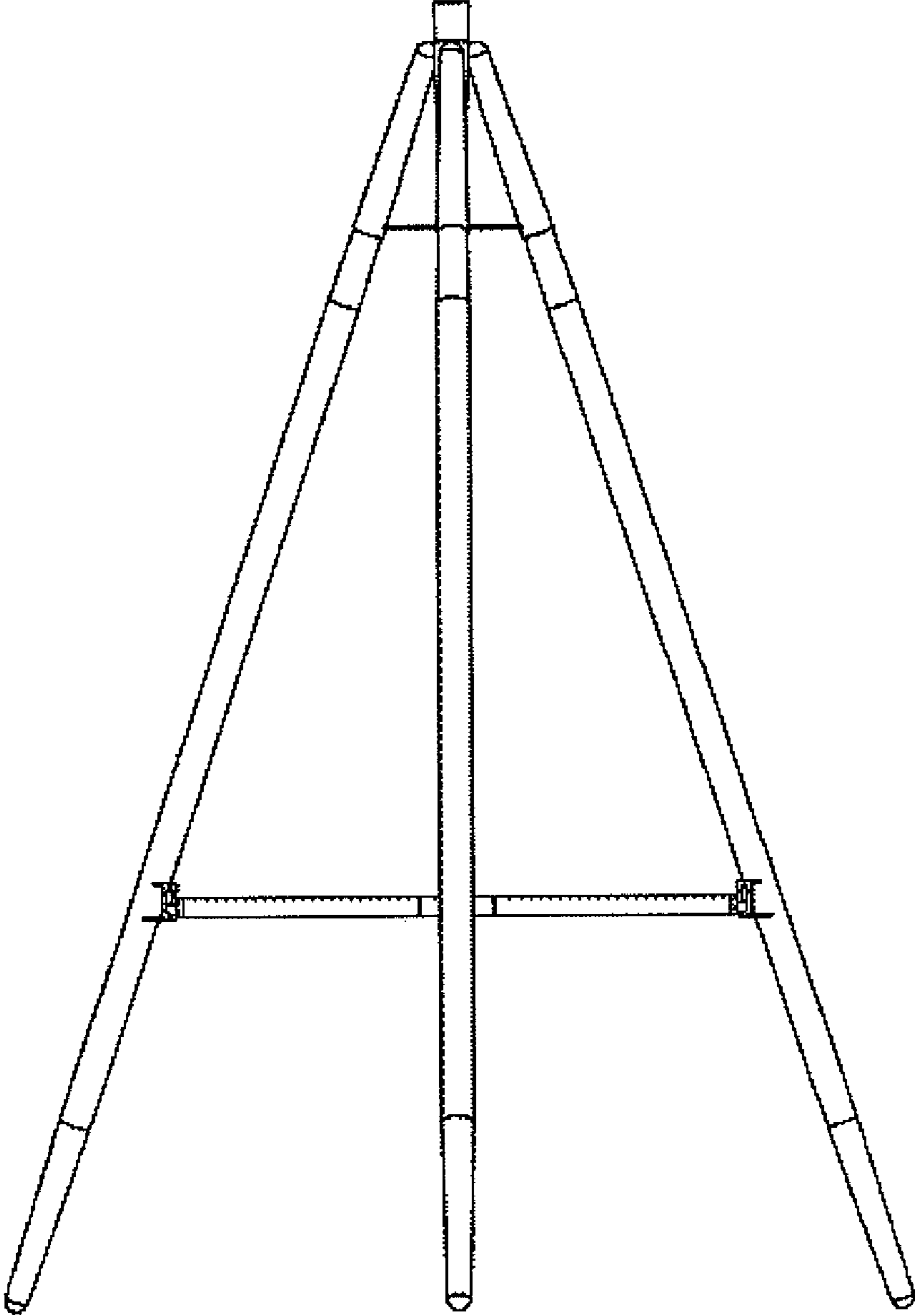


FIG 3

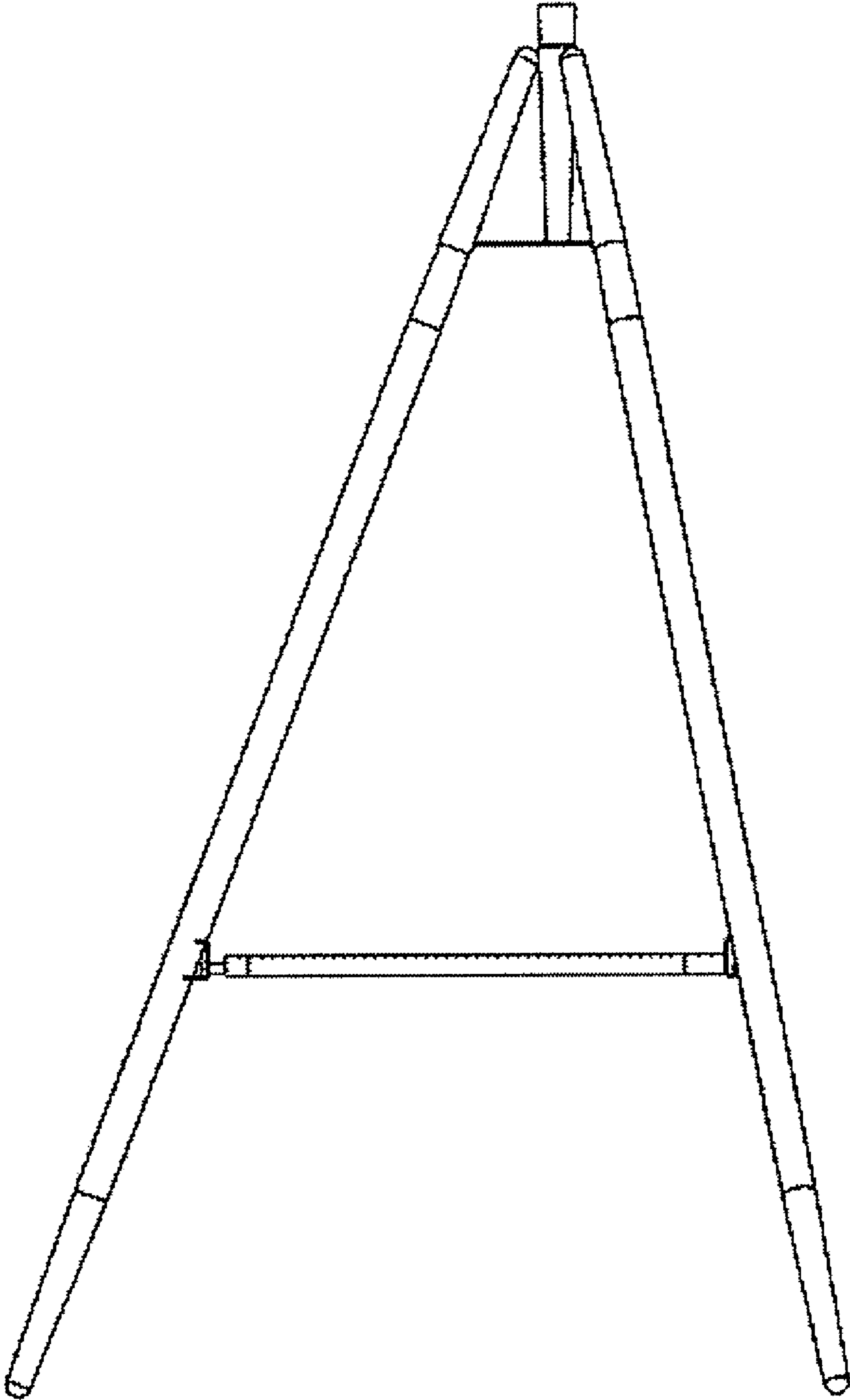
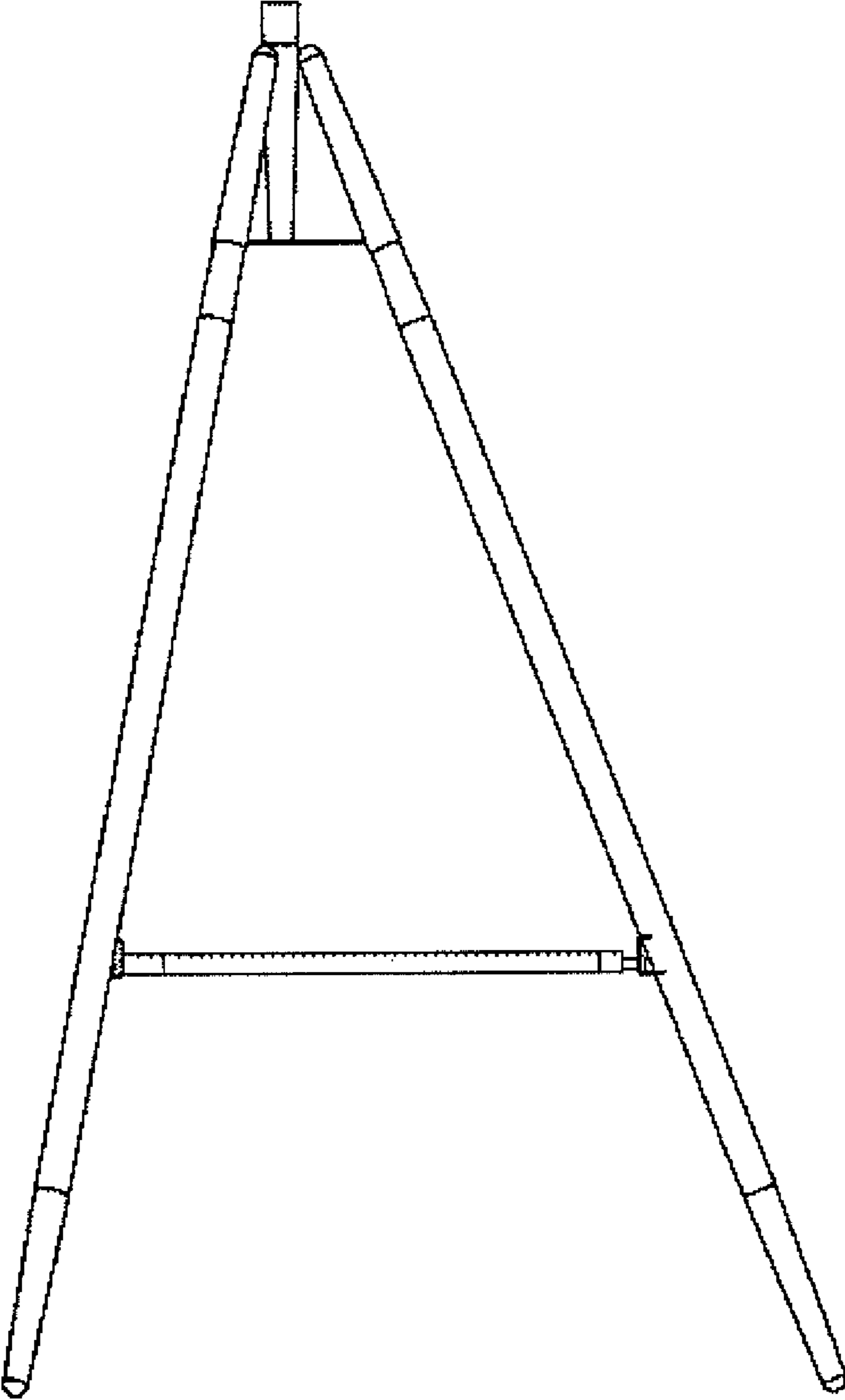


FIG 4



**FIG 5**

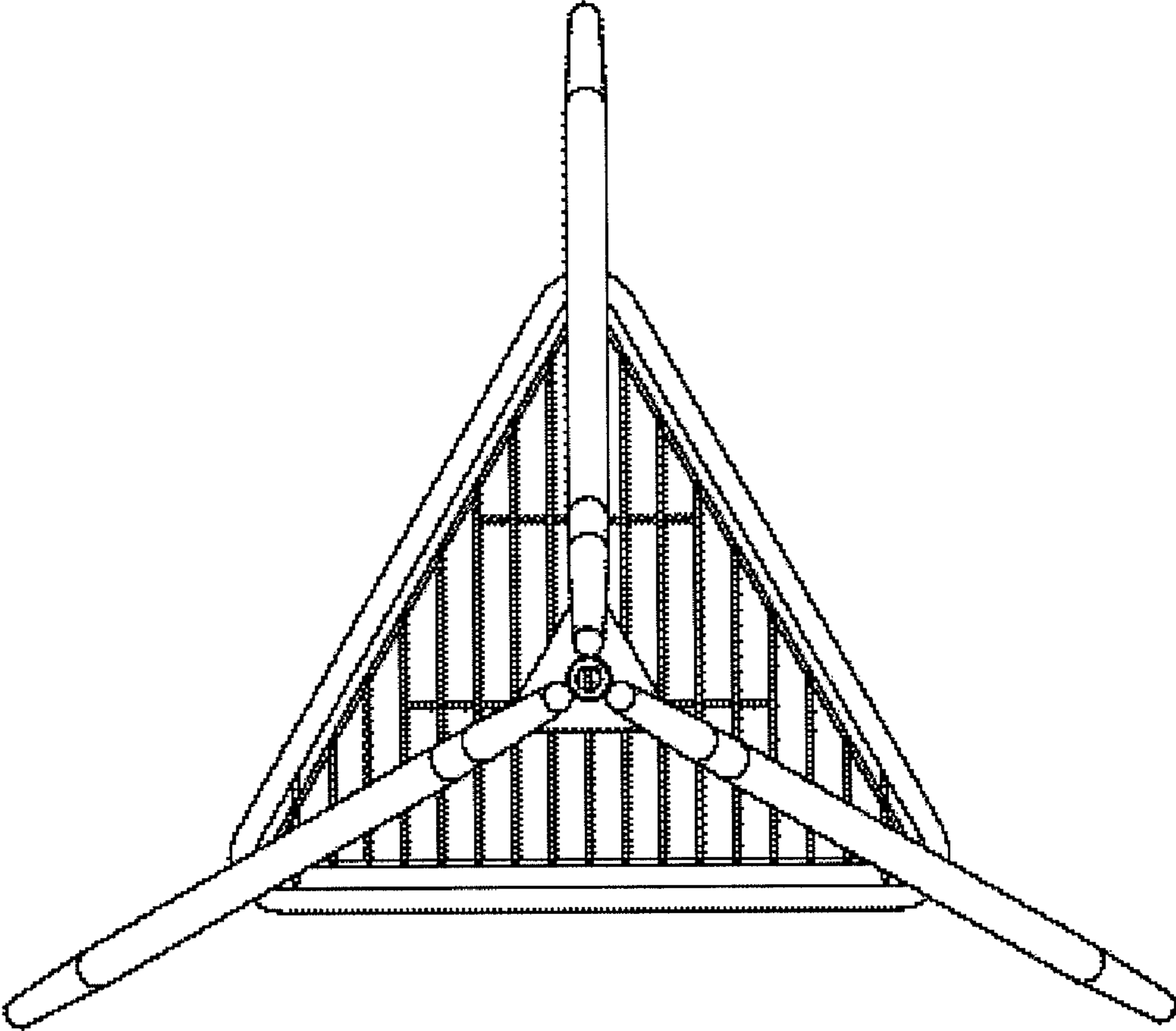


FIG 6

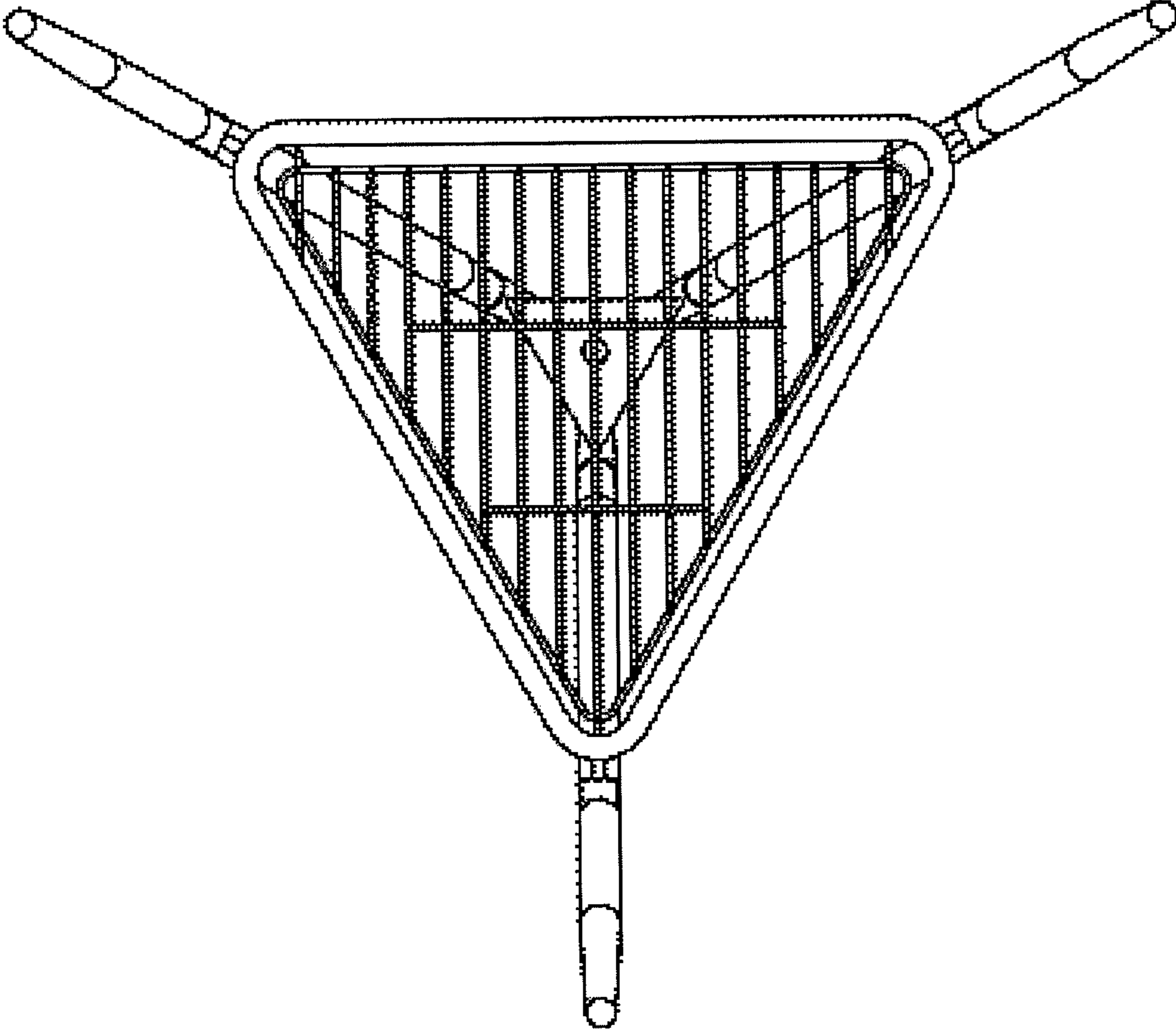


FIG 7