



US00D607613S

(12) **United States Design Patent**  
**Yang**

(10) **Patent No.:** **US D607,613 S**

(45) **Date of Patent:** **\*\* Jan. 5, 2010**

(54) **BIRDCAGE ROOF**

(75) Inventor: **Leon Yang**, Brooklyn, NY (US)

(73) Assignee: **Marvelous Pet Supplies, LLC**,  
Lutherville, MD (US)

(\*\*) Term: **14 Years**

(21) Appl. No.: **29/318,231**

(22) Filed: **May 15, 2008**

(51) **LOC (9) Cl.** ..... **30-02**

(52) **U.S. Cl.** ..... **D30/119**

(58) **Field of Classification Search** ..... D30/110–112,  
D30/114–117, 119, 124–128; 119/428–429,  
119/431–435, 452–454, 459, 461, 469–470,  
119/513

See application file for complete search history.

(56) **References Cited**

**U.S. PATENT DOCUMENTS**

459,396	A *	9/1891	Gilbert	.....	119/464
1,907,194	A *	5/1933	Webster	.....	119/467
D372,561	S *	8/1996	Lai	.....	D30/119
D377,546	S *	1/1997	King	.....	D30/119
D386,833	S *	11/1997	King	.....	D30/119
D424,756	S *	5/2000	Huang	.....	D30/119
D426,035	S *	5/2000	Huang	.....	D30/119
D441,147	S *	4/2001	Huang	.....	D30/119

D467,043 S \* 12/2002 Weiping ..... D30/119

\* cited by examiner

*Primary Examiner*—Cathy Anne MacCormac

(74) *Attorney, Agent, or Firm*—Greenberg Traurig, LLP;  
David J. Dykeman; Joanna T. Brougher

(57) **CLAIM**

The ornamental designs for a birdcage roof, as shown and described.

**DESCRIPTION**

FIG. 1 is a perspective view of birdcage roof;

FIG. 2 is a front view thereof;

FIG. 3 is a right side view thereof;

FIG. 4 is a top plan view thereof;

FIG. 5 is a bottom plan view thereof;

FIG. 6 is another perspective view thereof showing the roof in an open position;

FIG. 7 is a front view of FIG. 6;

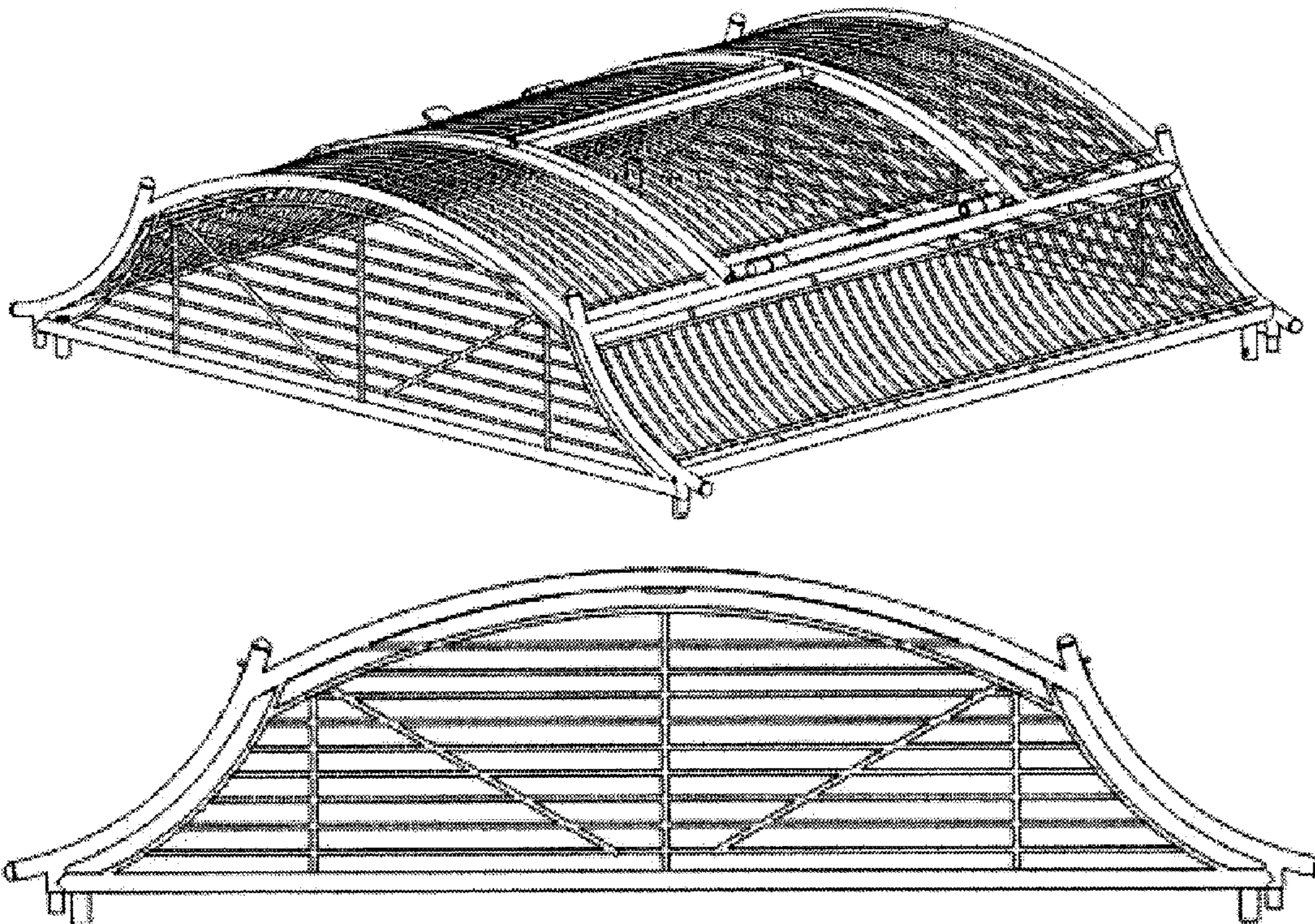
FIG. 8 is a right side view of FIG. 6;

FIG. 9 is a top plan view of FIG. 6; and,

FIG. 10 is a bottom plan view of FIG. 6.

The broken lines in FIGS. 6–10 are for illustration only and form no part of the claimed design.

**1 Claim, 10 Drawing Sheets**



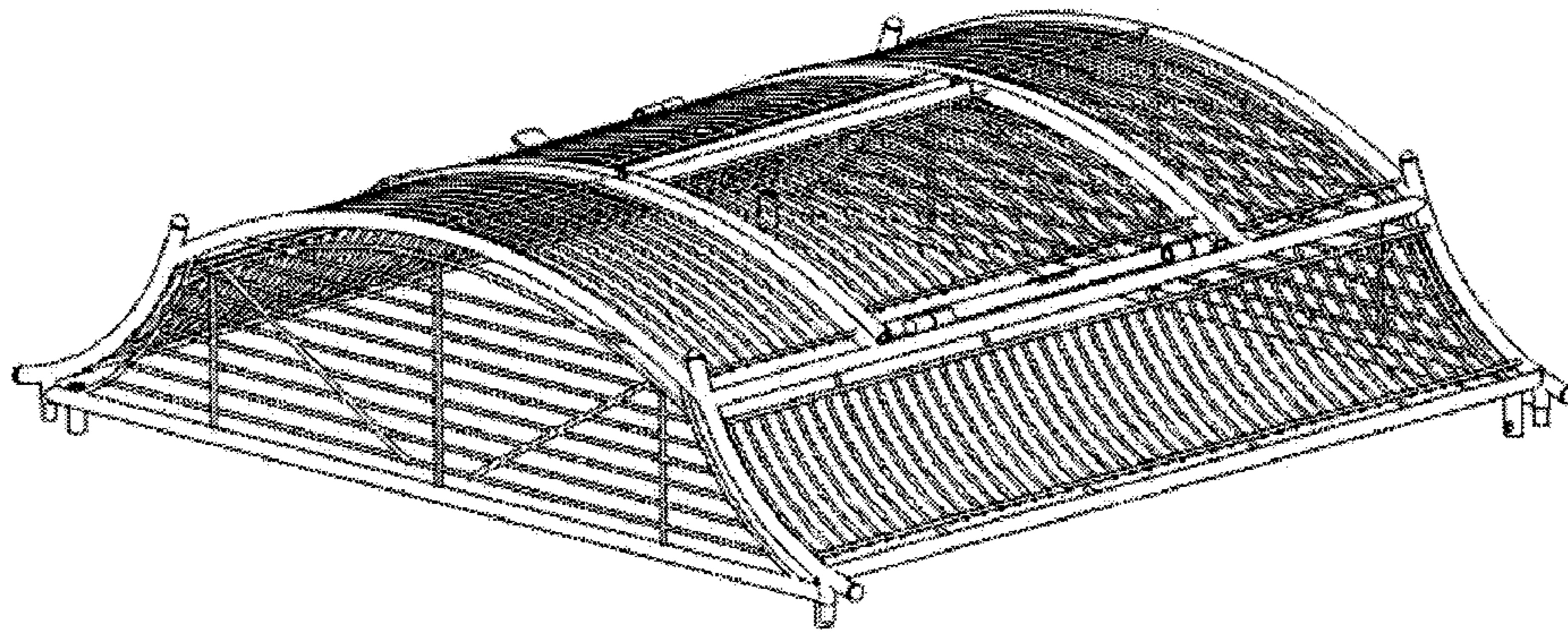
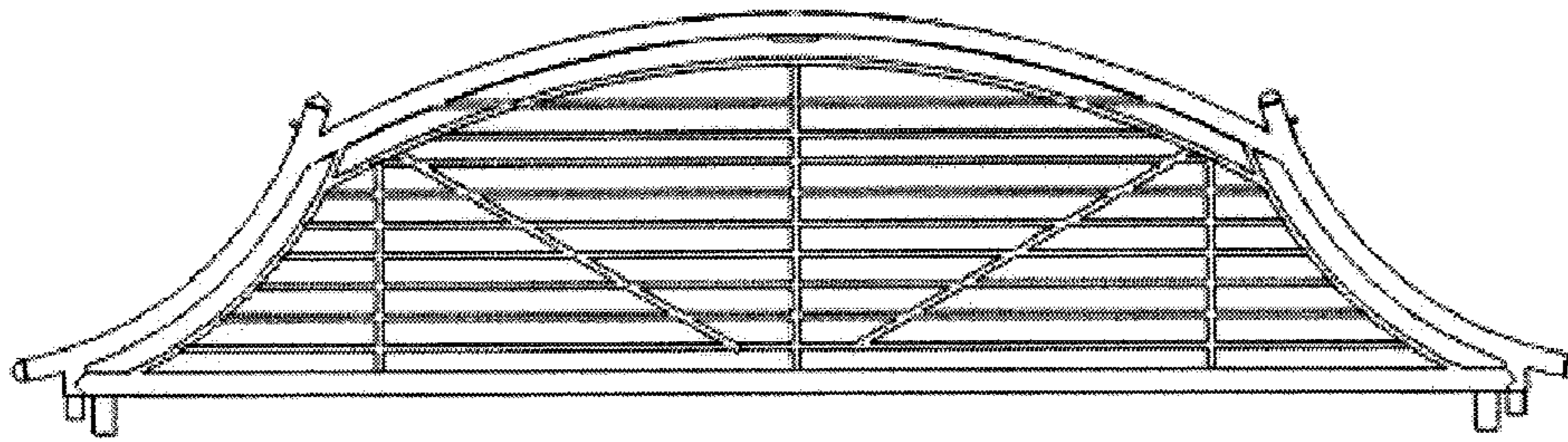
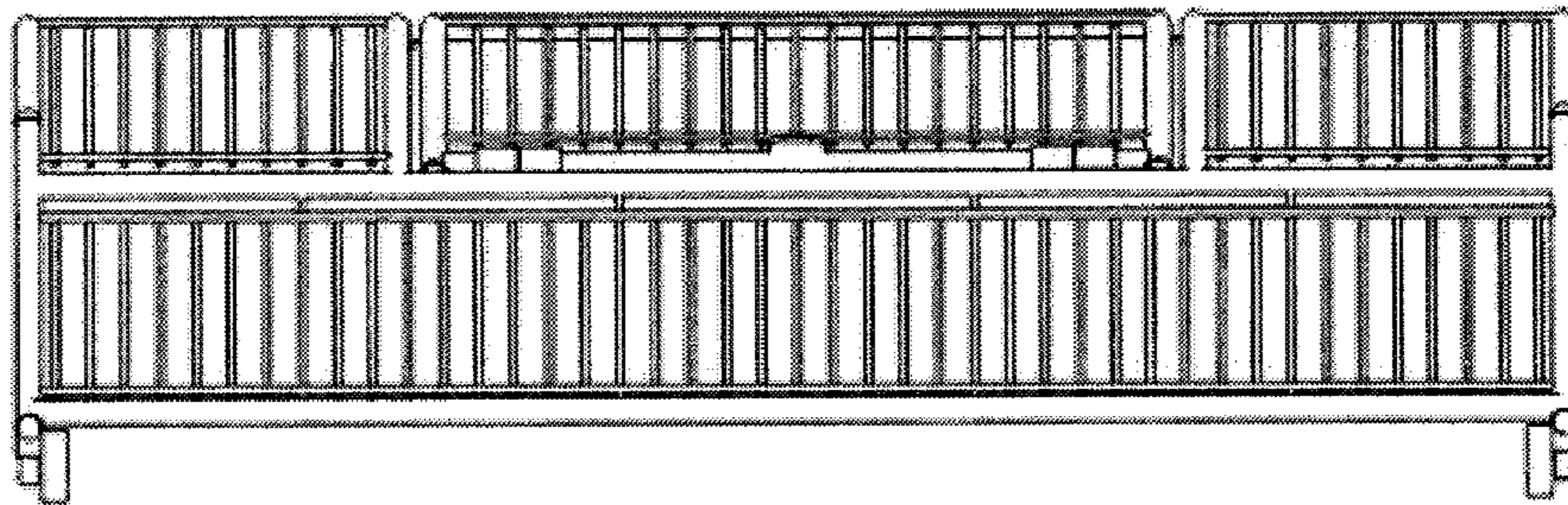


FIG 1



**FIG 2**



**FIG 3**

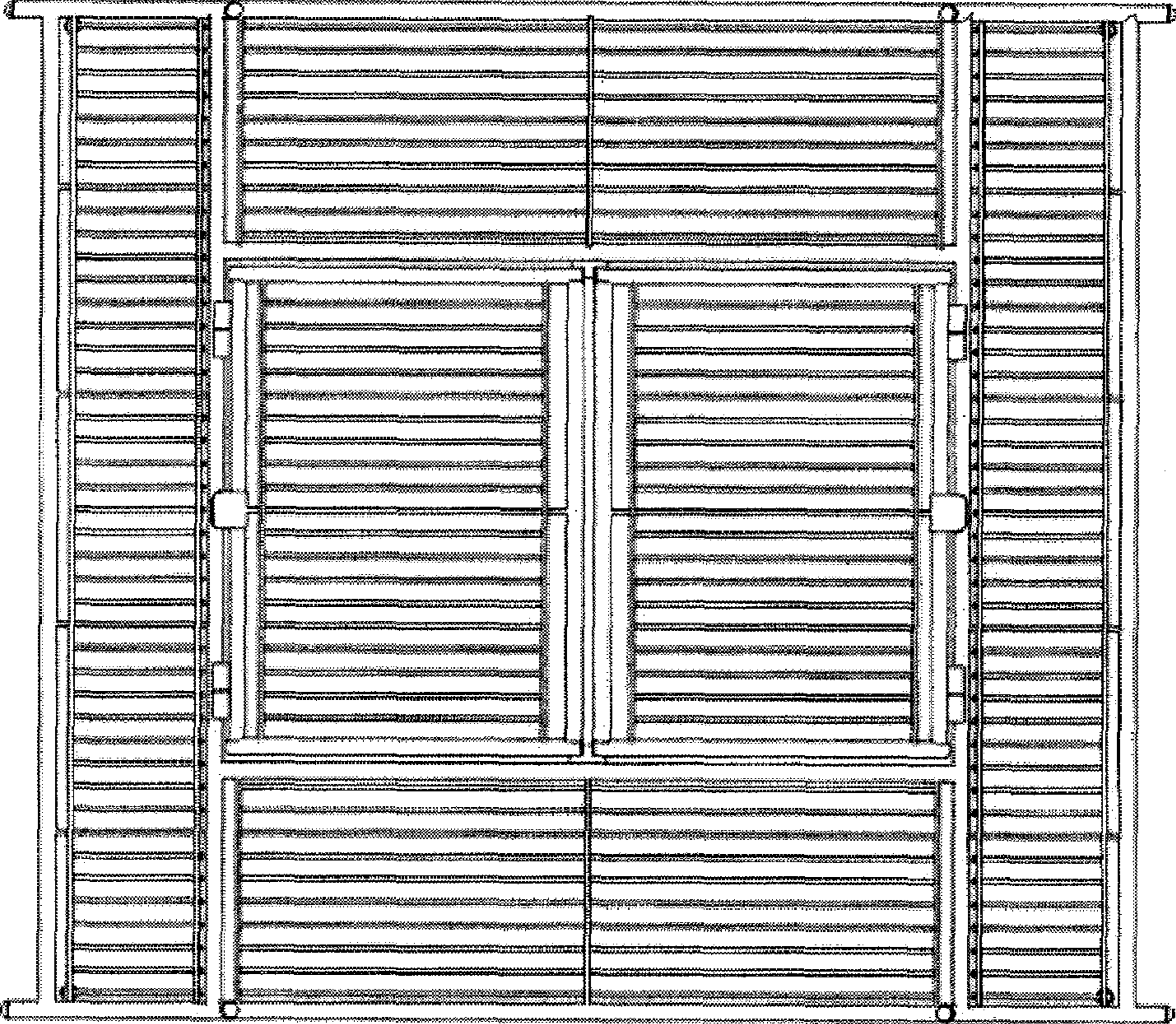


FIG 4

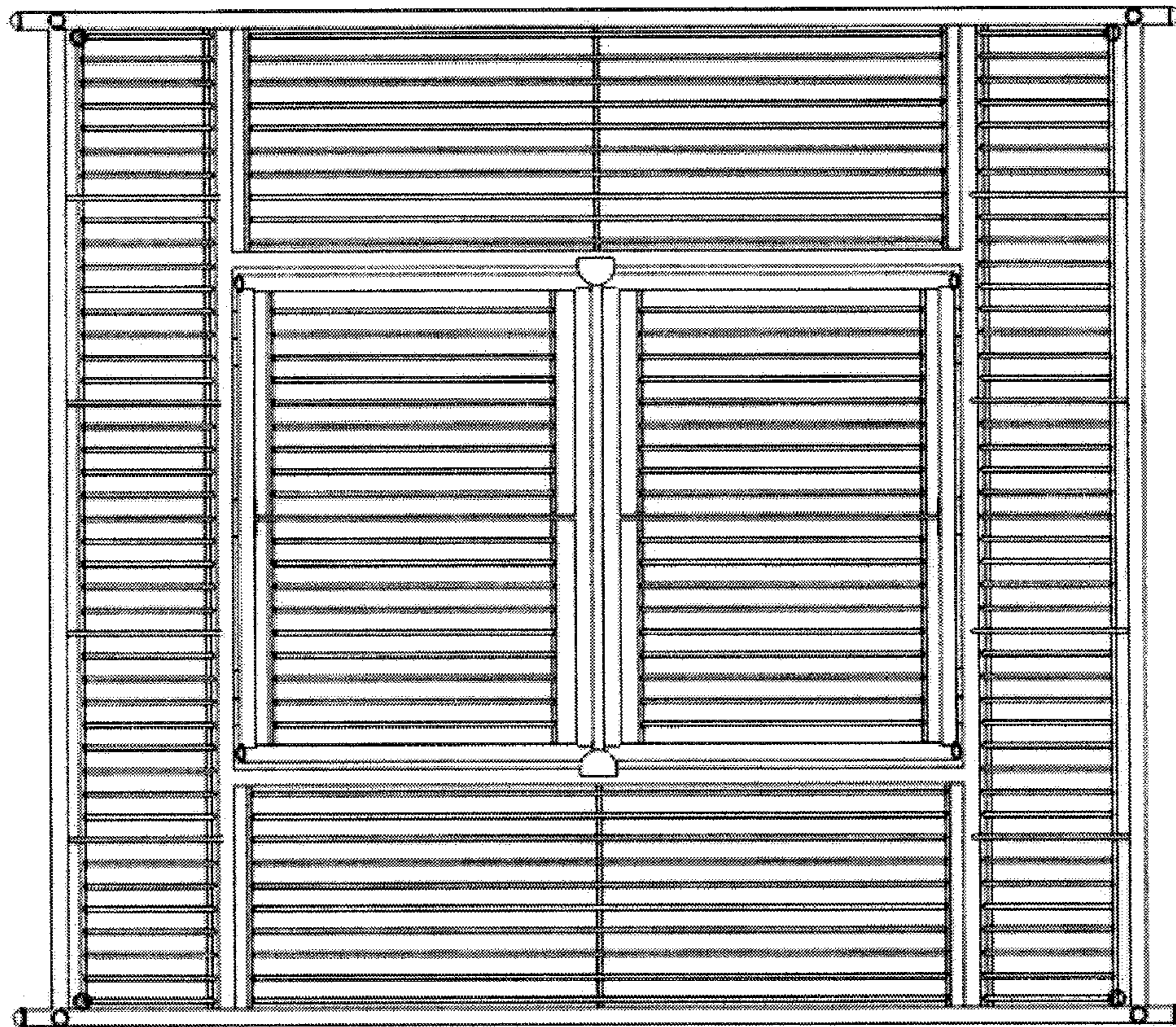


FIG 5

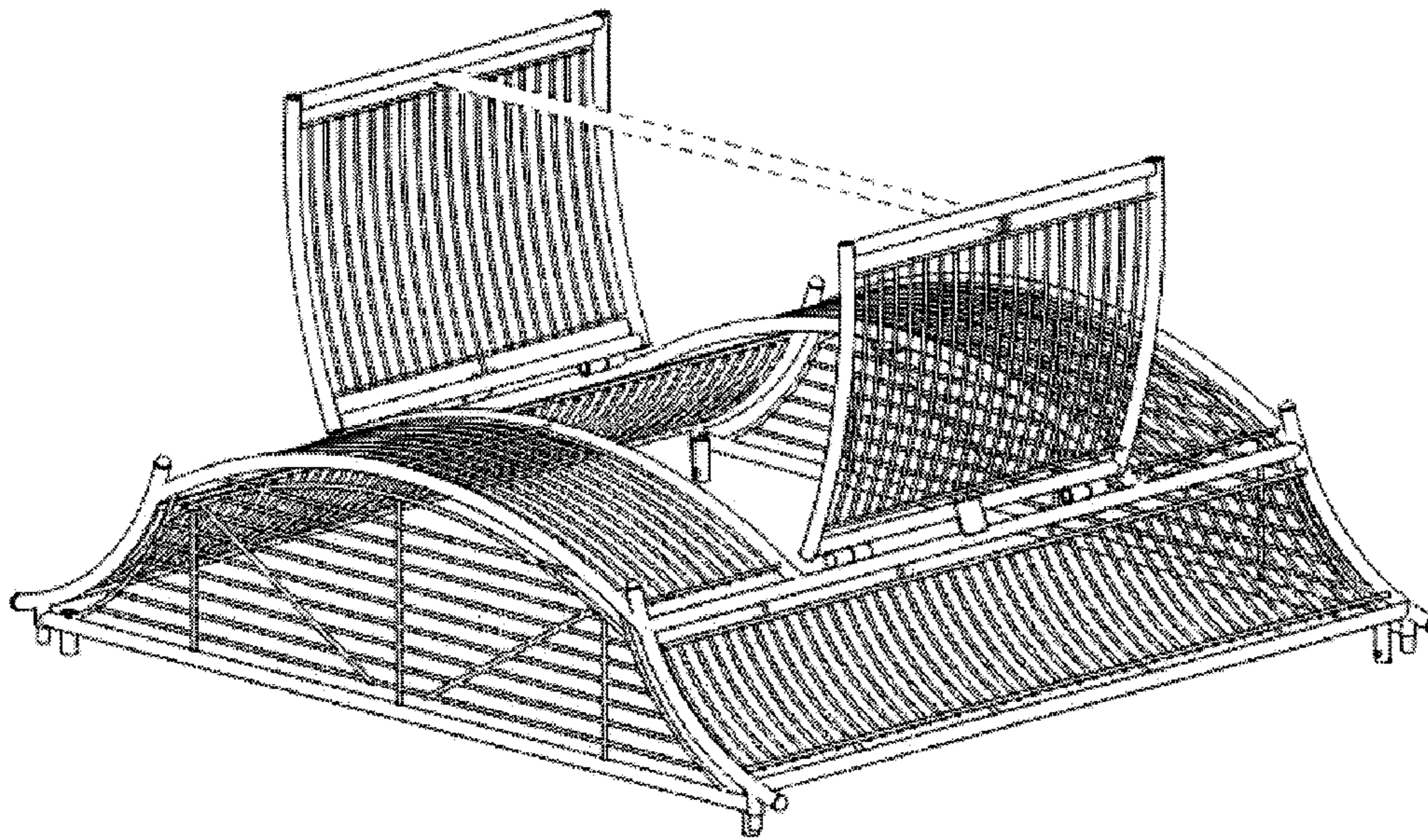


FIG 6

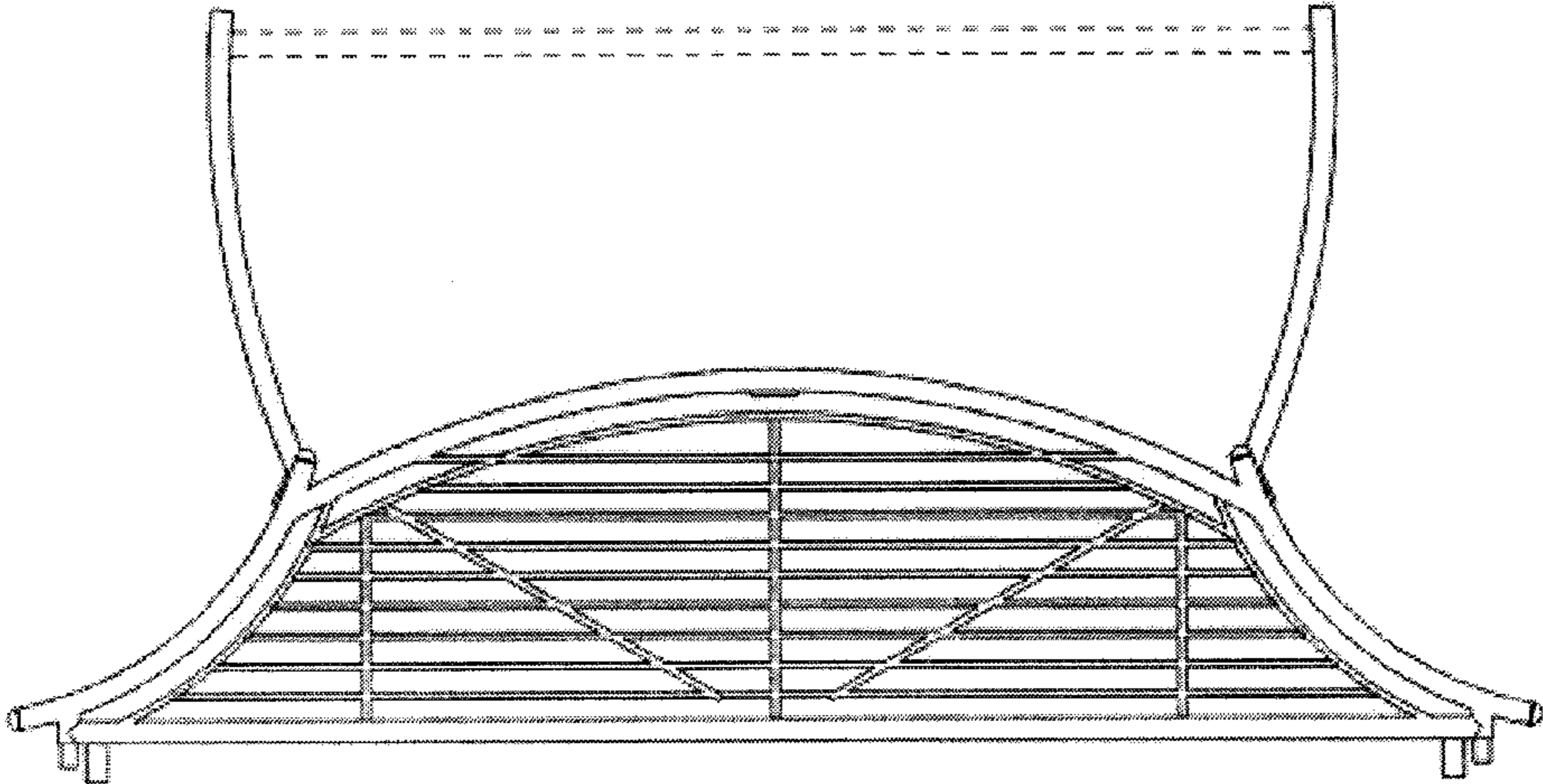


FIG 7



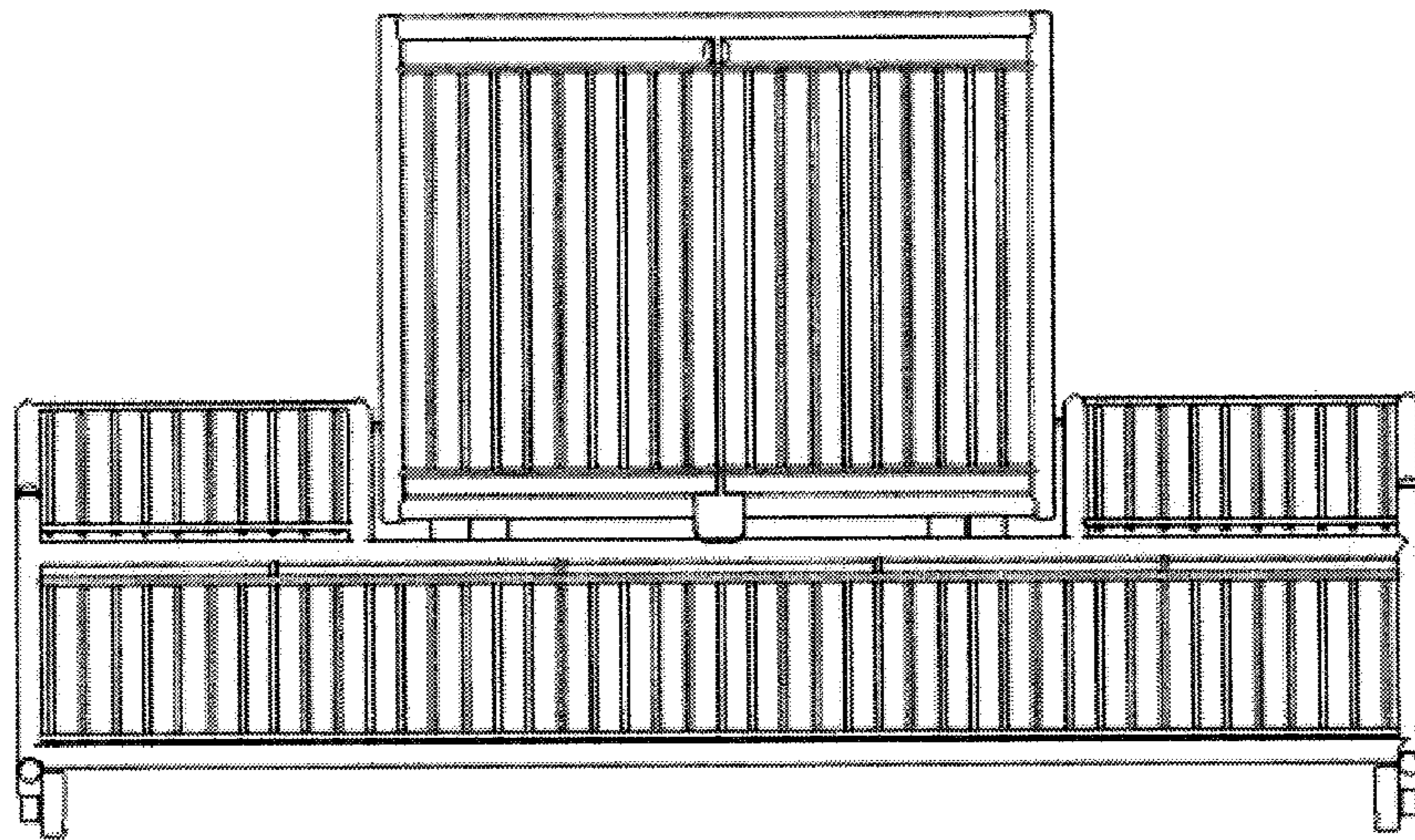


FIG 8

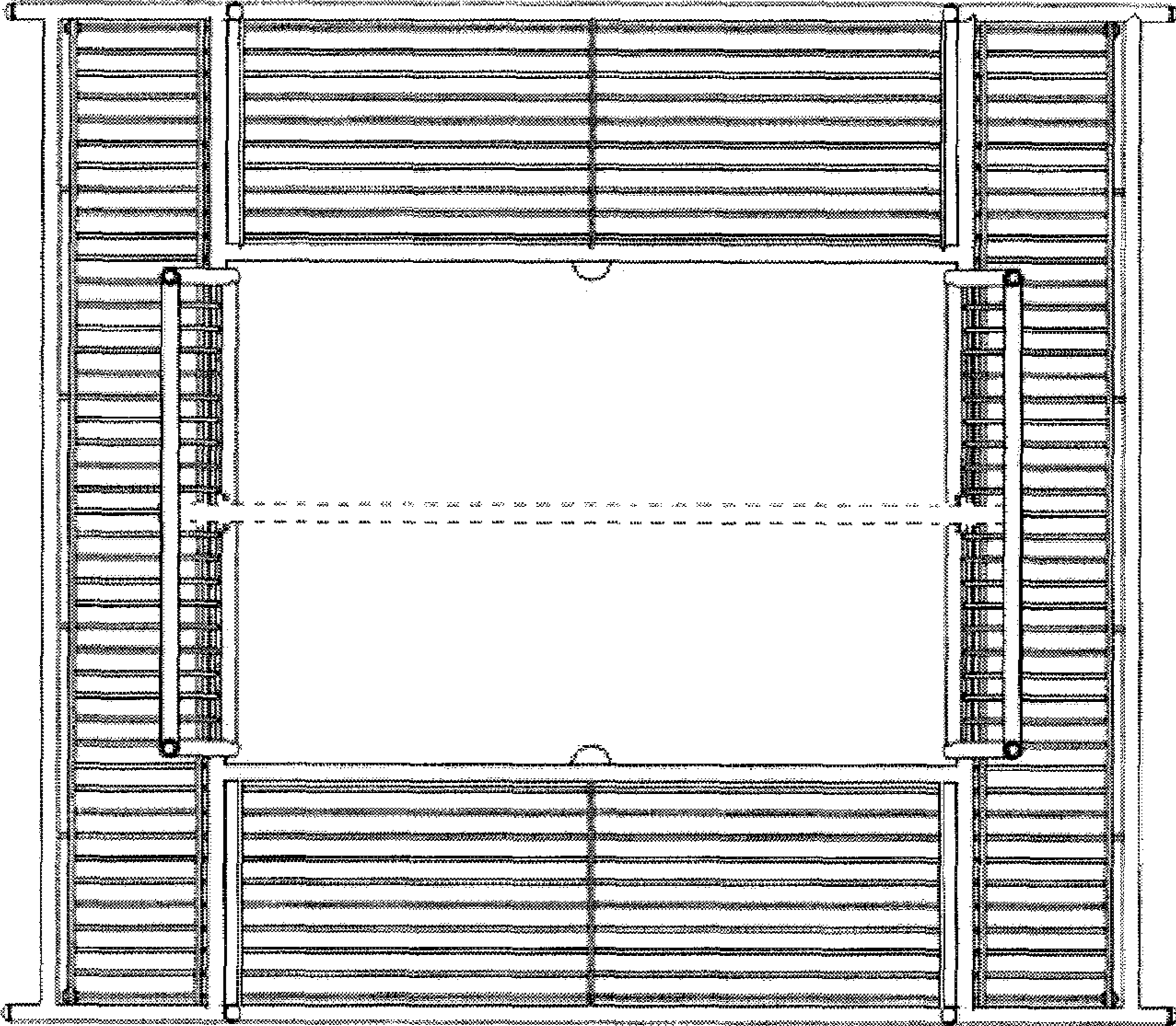


FIG 9

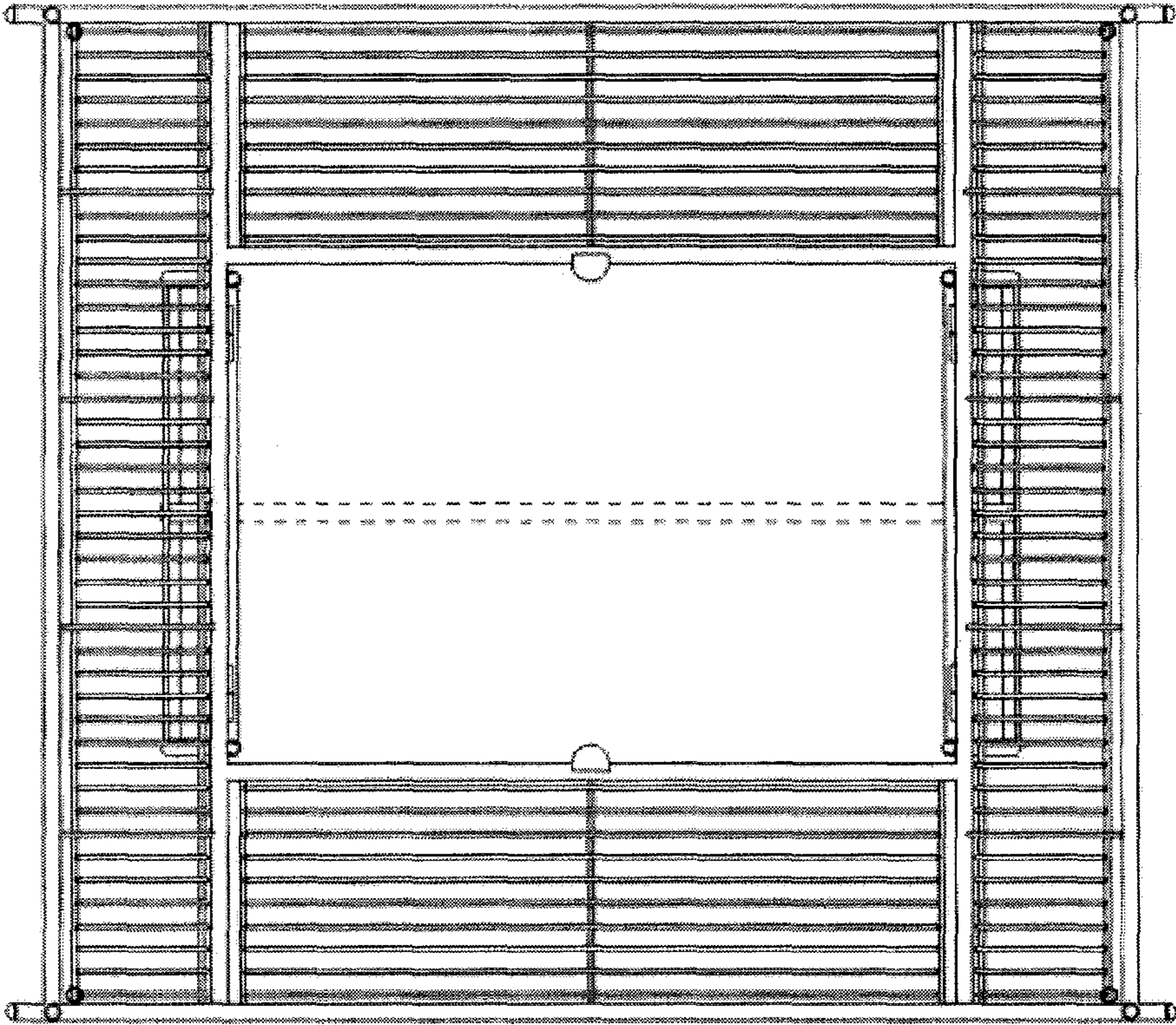


FIG 10