



US00D607607S

(12) **United States Design Patent**
Russell

(10) **Patent No.:** **US D607,607 S**

(45) **Date of Patent:** **** Jan. 5, 2010**

(54) **HAIR CARE CRADLE**

(76) Inventor: **Amy Russell**, 2781 Ward Lake Way,
Ellenwood, GA (US) 30294

(**) Term: **14 Years**

(21) Appl. No.: **29/318,611**

(22) Filed: **May 22, 2008**

(51) **LOC (9) Cl.** **28-03**

(52) **U.S. Cl.** **D28/73; D28/38; D6/567**

(58) **Field of Classification Search** D28/38,
D28/73; D6/567; 211/70.6, 60.1; 248/117.1-117.7,
248/176.2

See application file for complete search history.

(56) **References Cited**

U.S. PATENT DOCUMENTS

4,446,972	A *	5/1984	Sussman	211/60.1
D402,855	S *	12/1998	Zapata	D6/567
D410,163	S *	5/1999	McNeil	D6/567
D422,828	S *	4/2000	Kanfer et al.	D6/567
6,877,619	B1 *	4/2005	Han	211/70.6

D535,842	S *	1/2007	Wood	D6/567
D575,005	S *	8/2008	Gomez	D28/73
D584,856	S *	1/2009	Kirschenmann	D28/73
D584,857	S *	1/2009	Kirschenmann	D28/73

* cited by examiner

Primary Examiner—Jennifer Rivard

(57) **CLAIM**

I claim the ornamental design for a hair care cradle, as shown and described.

DESCRIPTION

FIG. 1 is a perspective view of a hair care cradle, showing my new design;

FIG. 2 is a front elevational view of the invention;

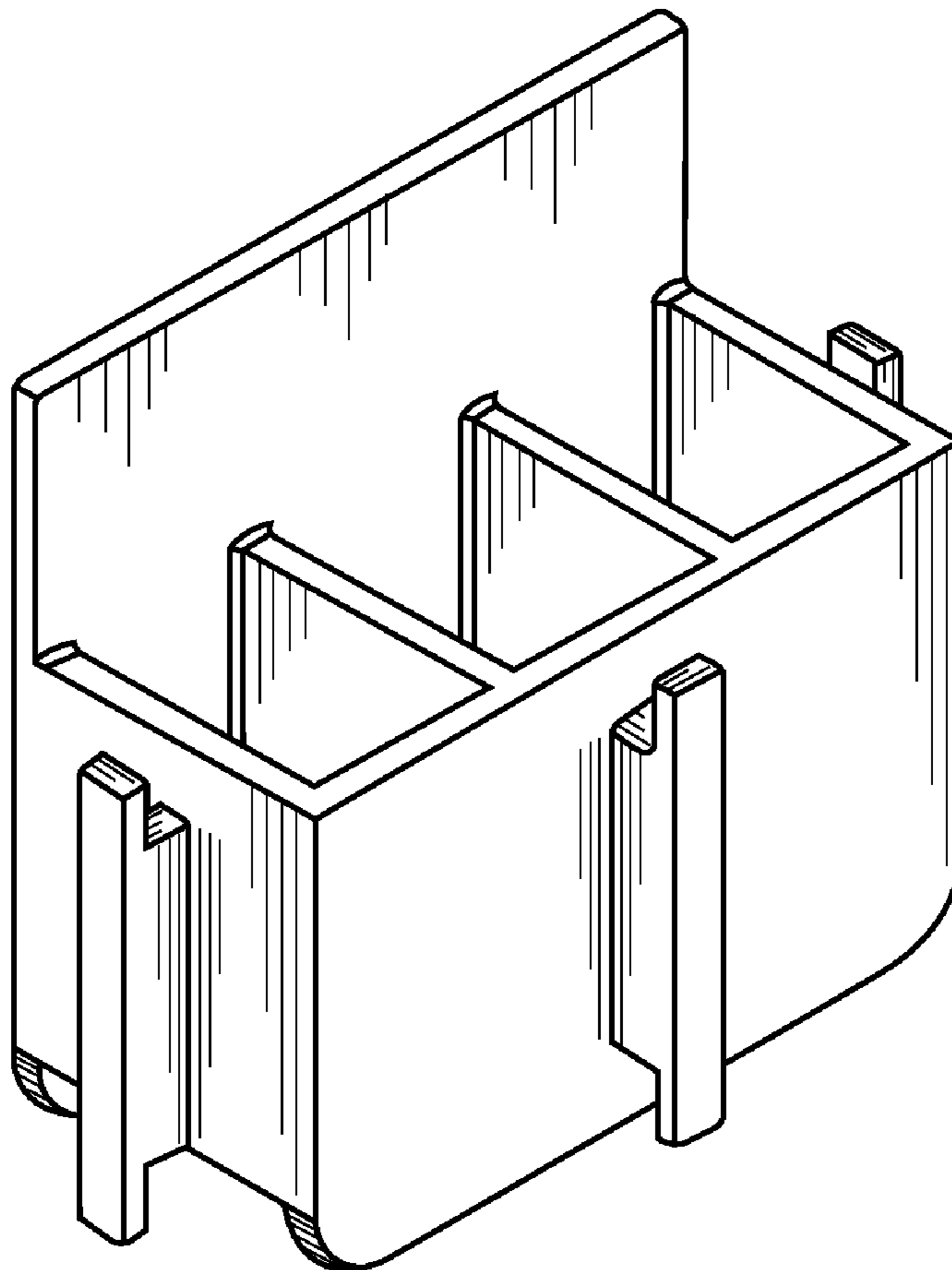
FIG. 3 is a rear elevational view of the invention;

FIG. 4 is a left-side elevational view of the invention, the right-side elevational view being a mirror image thereof;

FIG. 5 is a top plan view of the invention; and,

FIG. 6 is a bottom plan view of the invention.

1 Claim, 1 Drawing Sheet



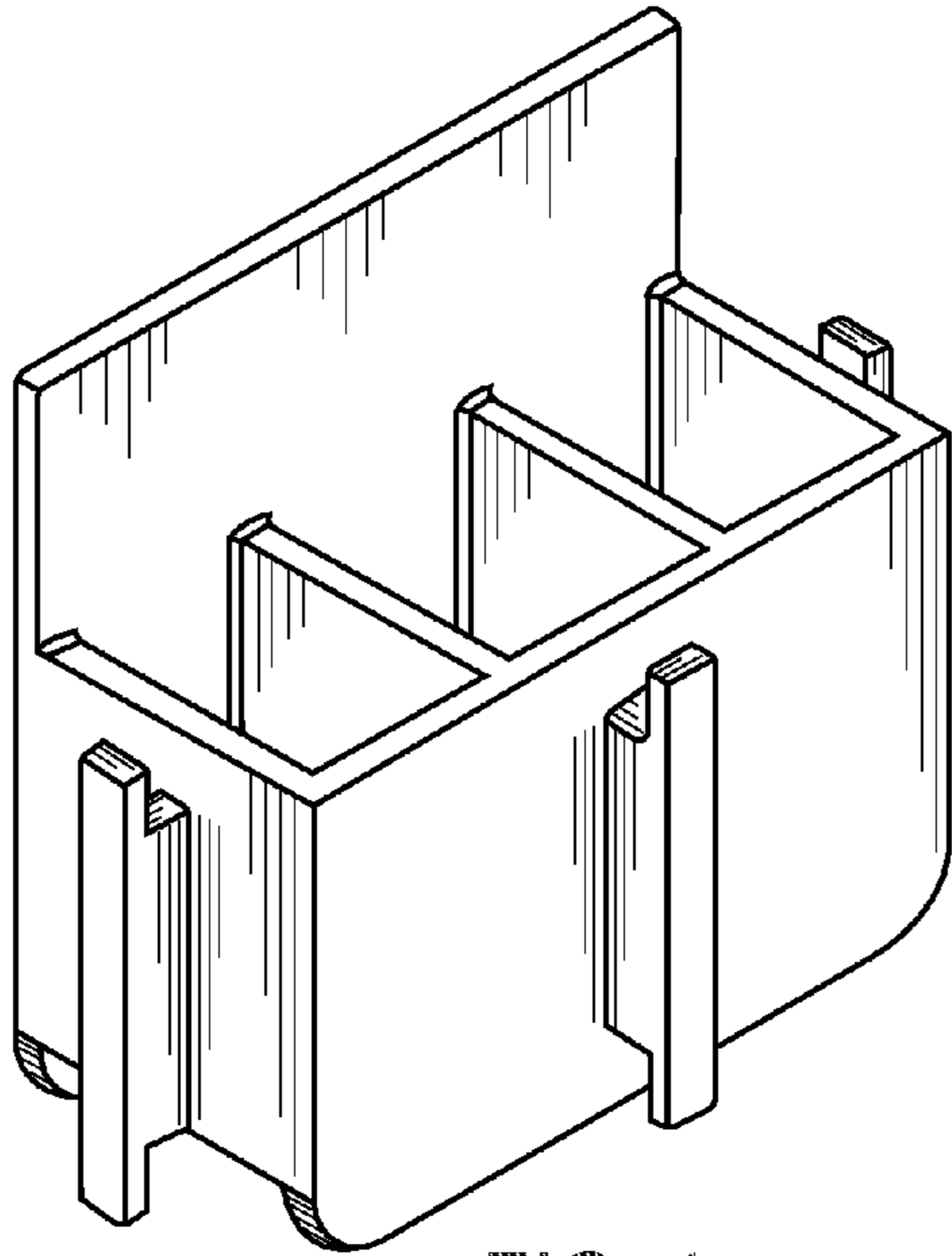


FIG. 1

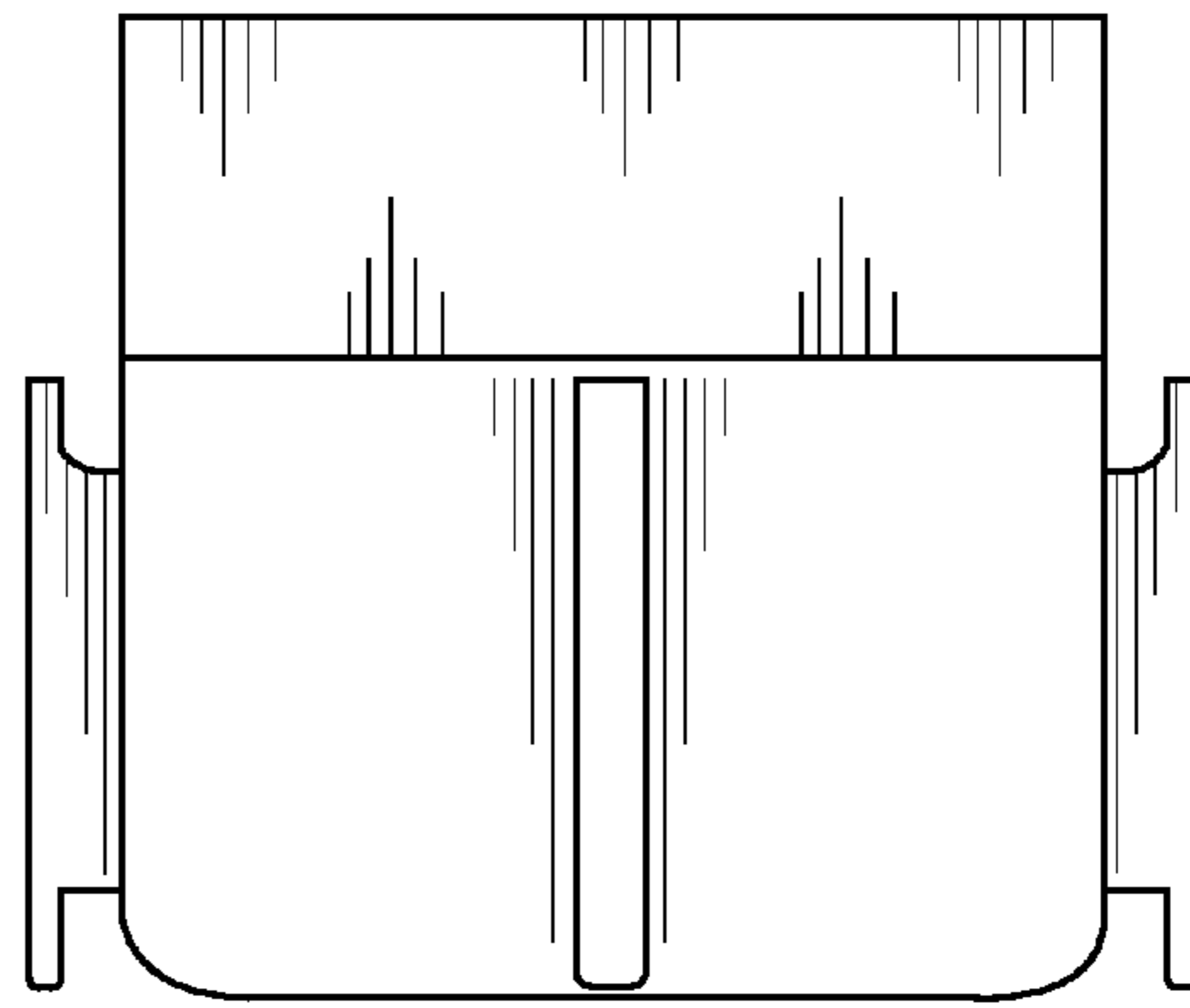


FIG. 2

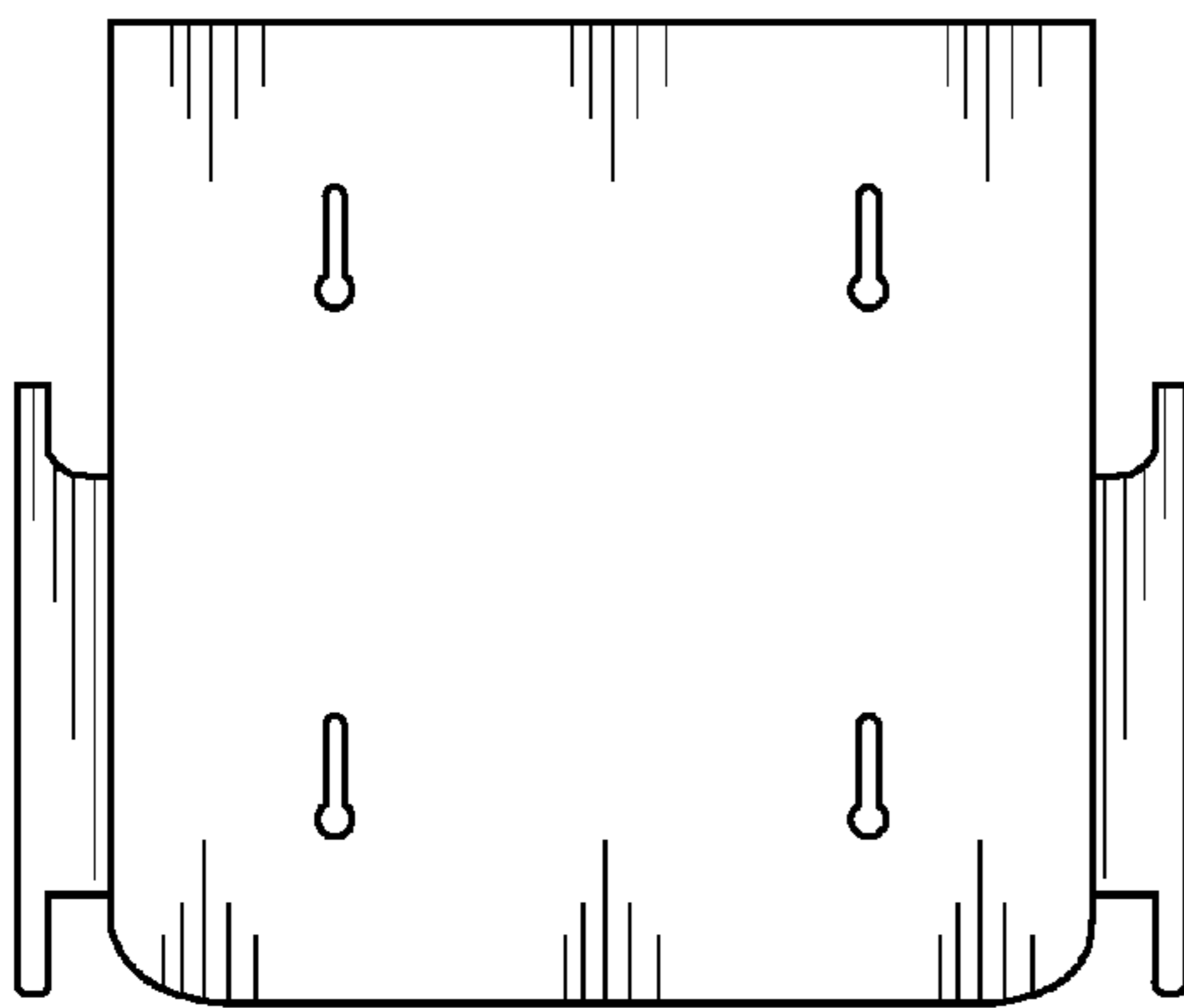


FIG. 3

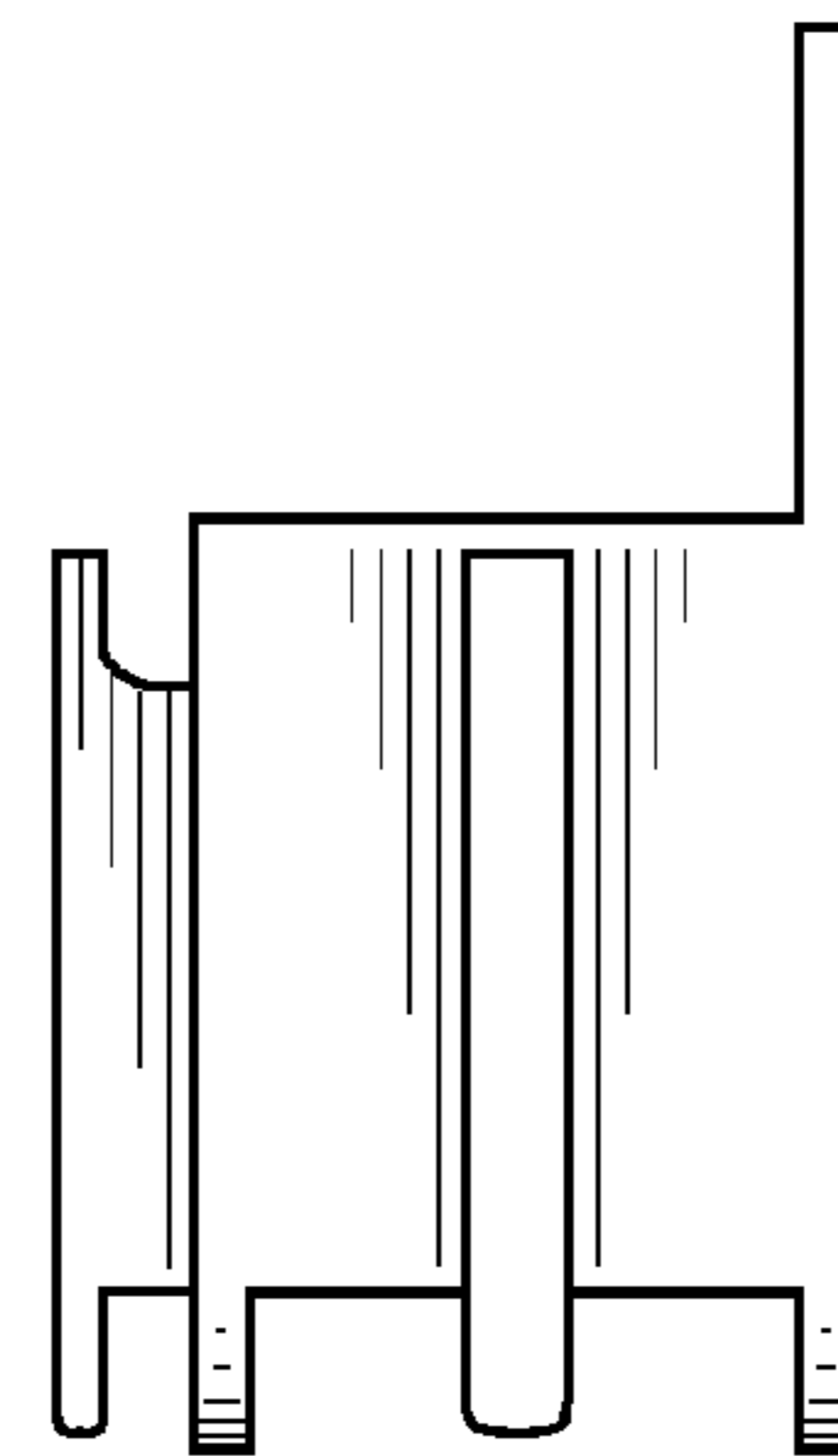


FIG. 4

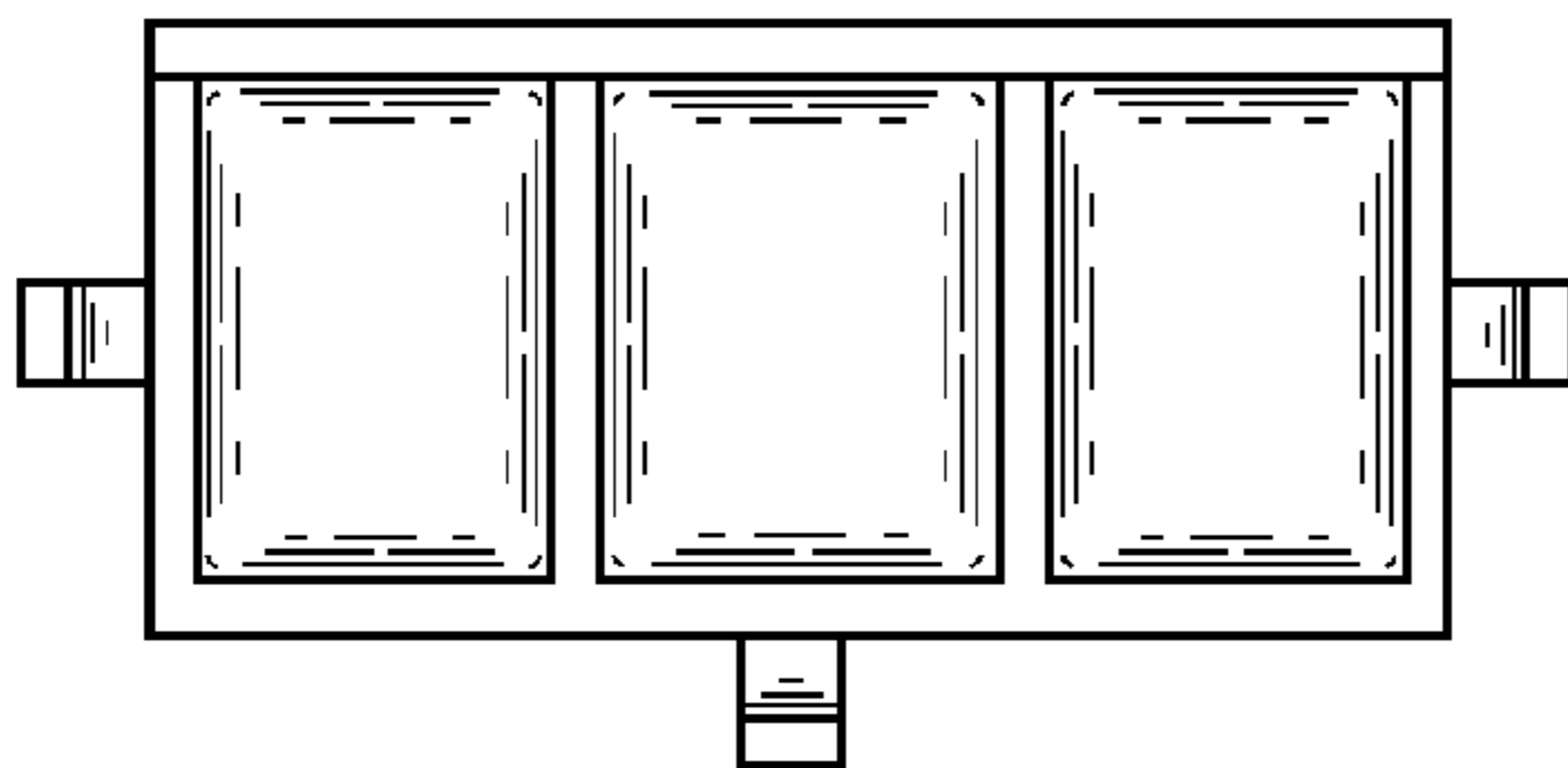


FIG. 5

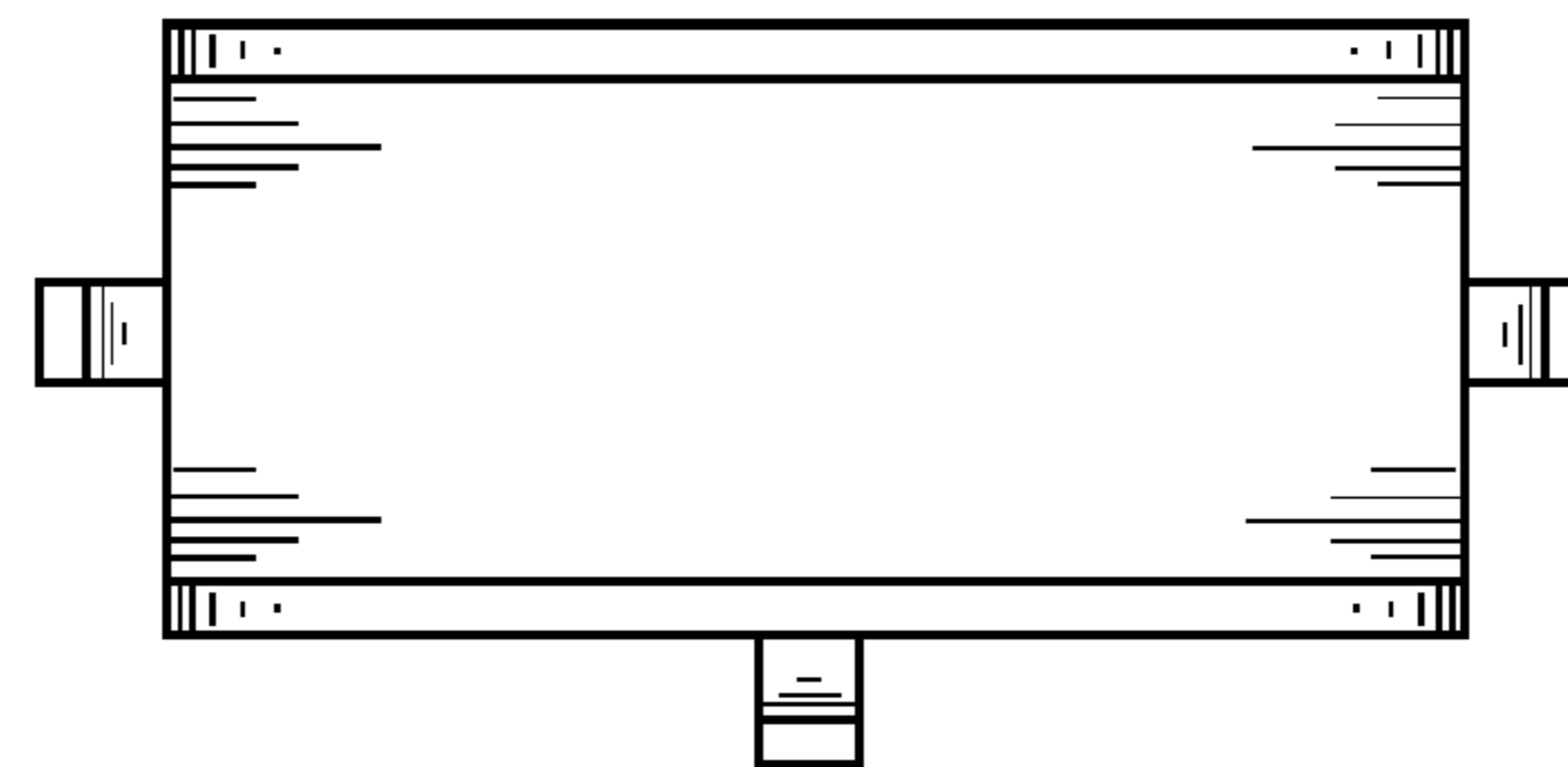


FIG. 6