



US00D607604S

(12) **United States Design Patent**  
**Todd**

(10) **Patent No.:** **US D607,604 S**  
(45) **Date of Patent:** **\*\* Jan. 5, 2010**

(54) **PORTABLE MIRROR**

(75) Inventor: **Jason Todd**, 10440 Calibouge Dr., Fishers, IN (US) 46037

(73) Assignee: **Jason Todd**, Fishers, IN (US)

(\*\*) Term: **14 Years**

(21) Appl. No.: **29/307,502**

(22) Filed: **Apr. 24, 2008**

(51) **LOC (9) Cl.** ..... **28-03**

(52) **U.S. Cl.** ..... **D28/64.1; D28/82**

(58) **Field of Classification Search** ..... D28/64.1-64.7, D28/82; 359/871-876, 879, 881, 822, 833; 132/301-306, 315-316, 296, 288

See application file for complete search history.

(56) **References Cited**

**U.S. PATENT DOCUMENTS**

3,476,123	A *	11/1969	Flax	.....	132/315
4,807,773	A *	2/1989	Tsai	.....	132/296
D437,664	S *	2/2001	Thorpe et al.	.....	D28/77
D474,861	S *	5/2003	Rodriguez et al.	.....	D28/82
D497,037	S *	10/2004	Rodriguez	.....	D28/82
D534,318	S *	12/2006	Ditrichstein	.....	D28/78

2004/0020509	A1 *	2/2004	Waisman	.....	132/316
2004/0237994	A1 *	12/2004	Delage	.....	132/304

\* cited by examiner

*Primary Examiner*—Jennifer Rivard

(74) *Attorney, Agent, or Firm*—Krieg DeVault LLP

(57) **CLAIM**

I claim the ornamental design for a portable mirror, as shown and described.

**DESCRIPTION**

FIG. 1 is a perspective view illustrating a new design in a closed position;

FIG. 2 is a top view of the new design depicted in FIG. 1;

FIG. 3 is a bottom view of the new design depicted in FIG. 1;

FIG. 4 is a front view of the new design depicted in FIG. 1;

FIG. 5 is a back view of the new design depicted in FIG. 1;

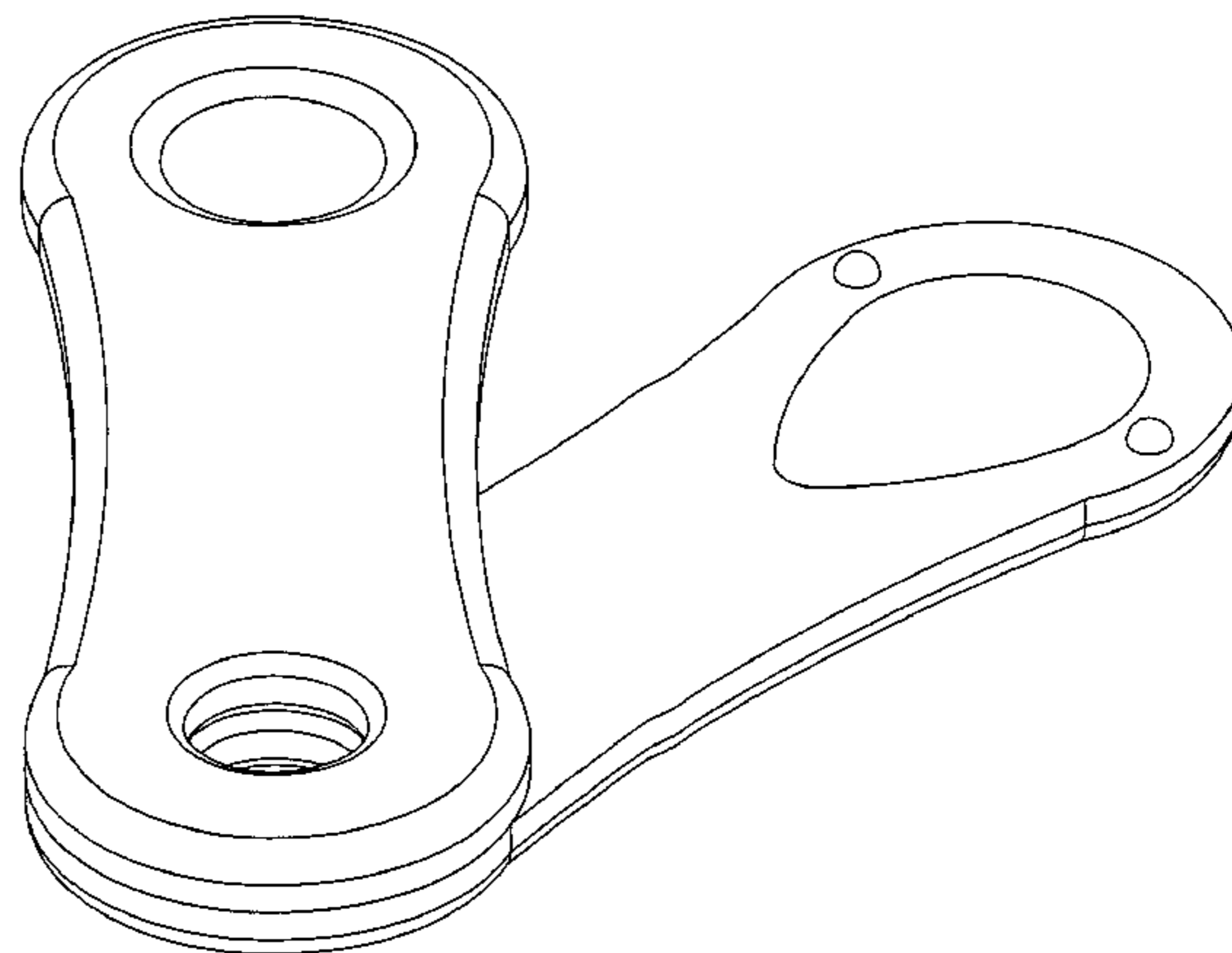
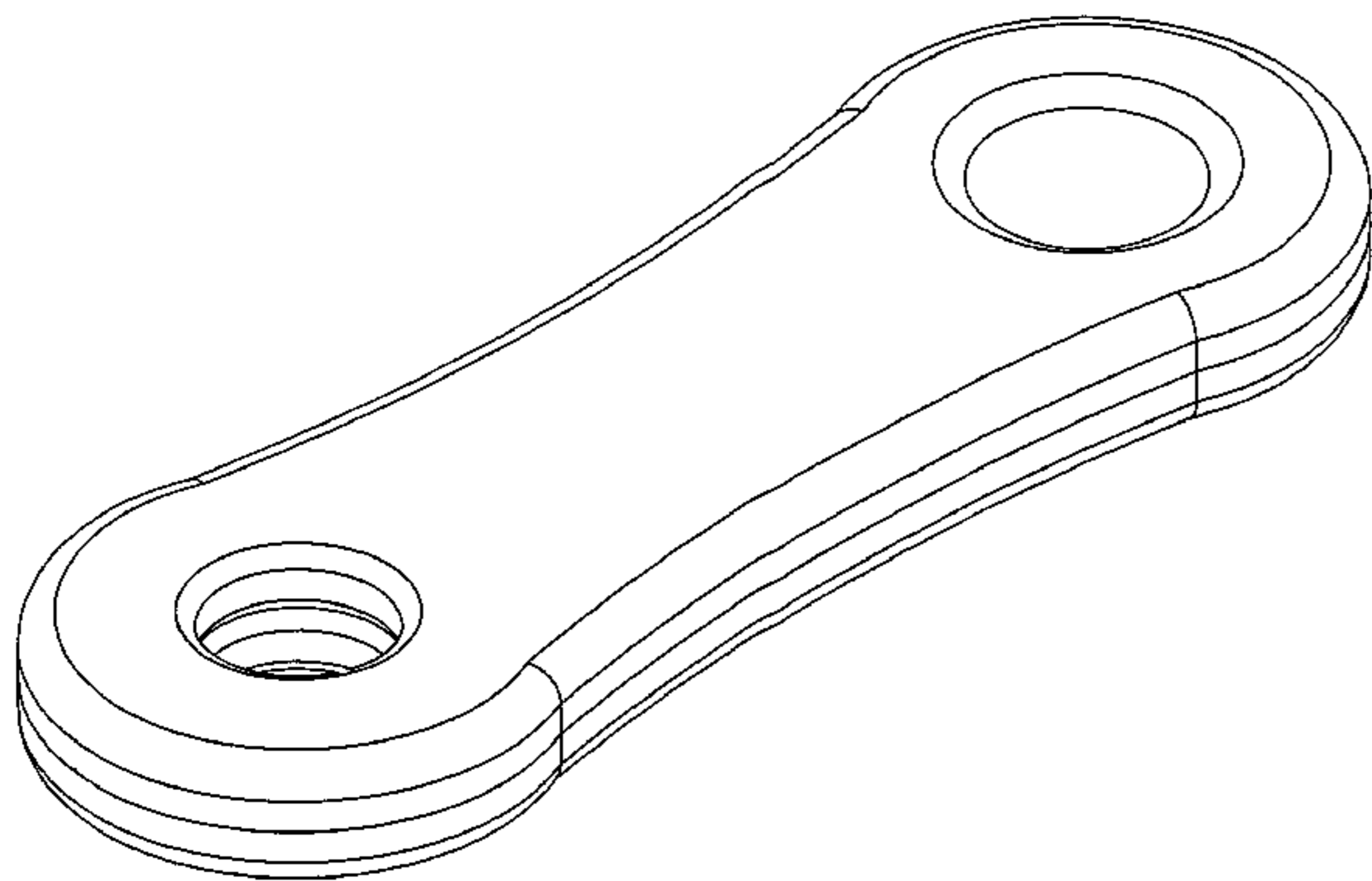
FIG. 6 is a left view of the new design depicted in FIG. 1;

FIG. 7 is a right view of the new design depicted in FIG. 1;

and,

FIG. 8 is a perspective view illustrating the new design depicted in FIG. 1 in an open position.

**1 Claim, 8 Drawing Sheets**



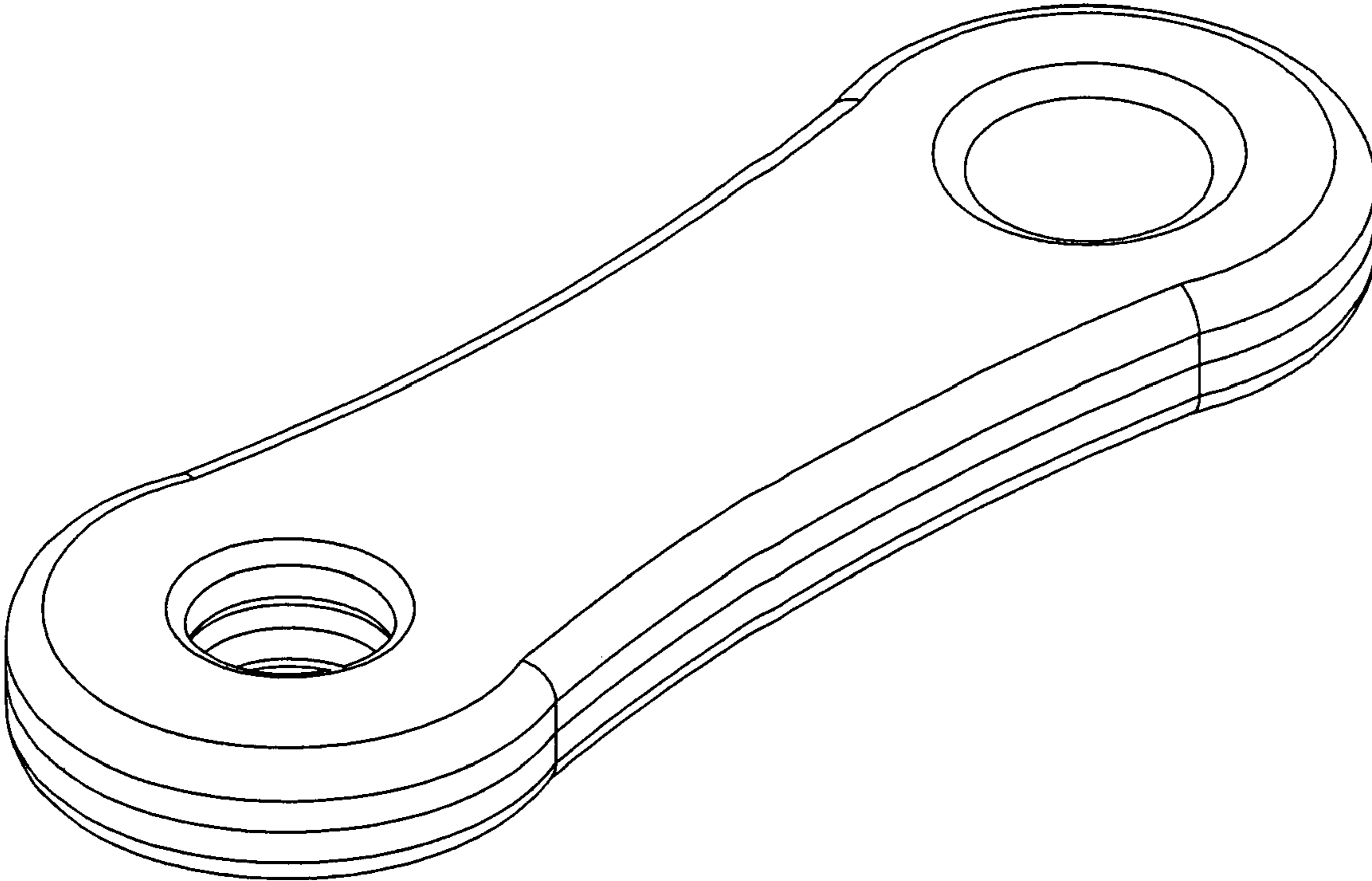


Fig. 1

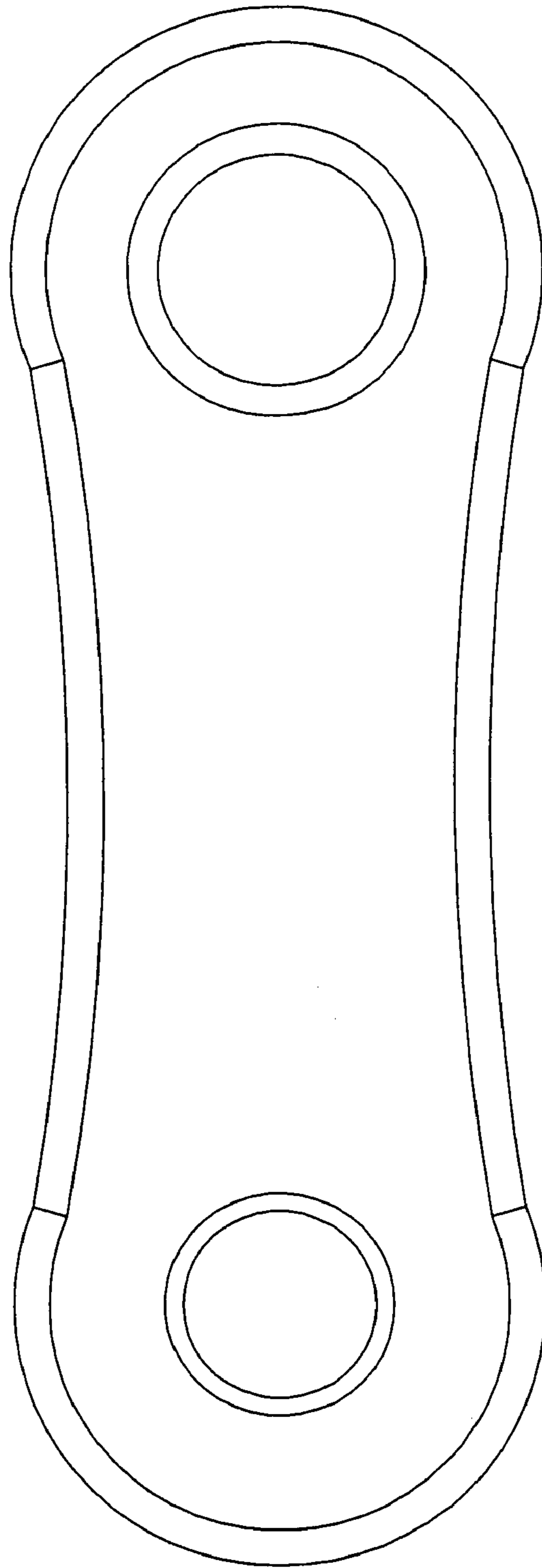


Fig. 2

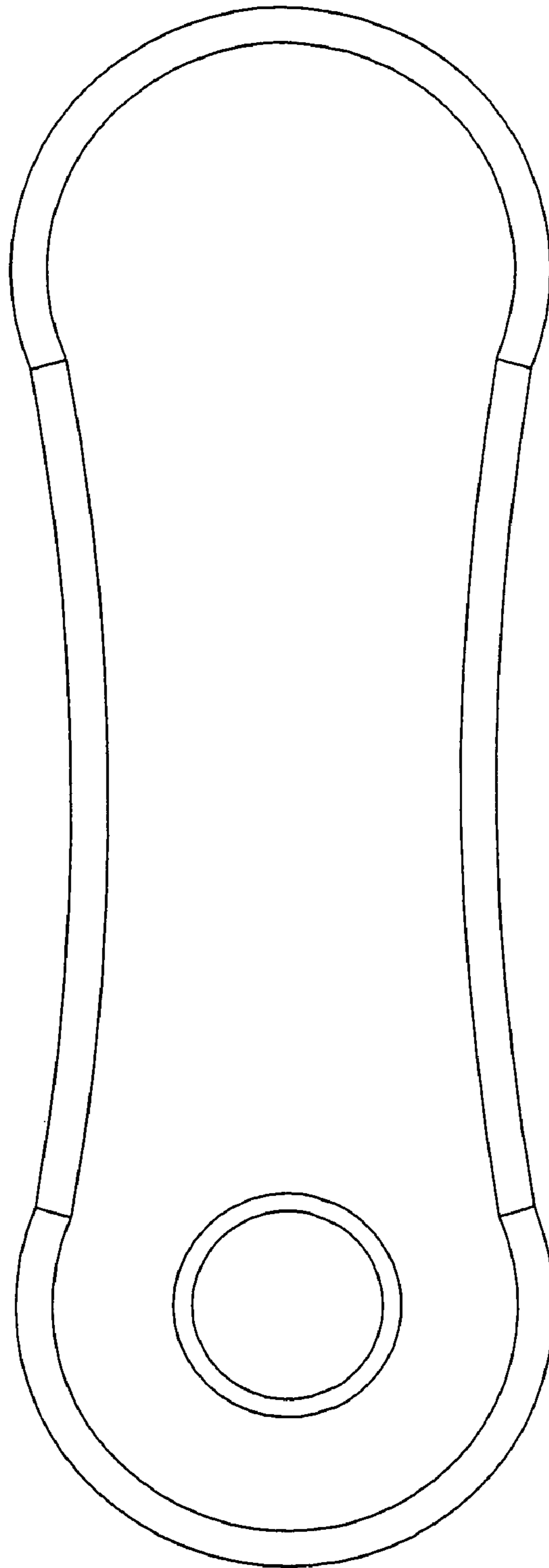


Fig. 3

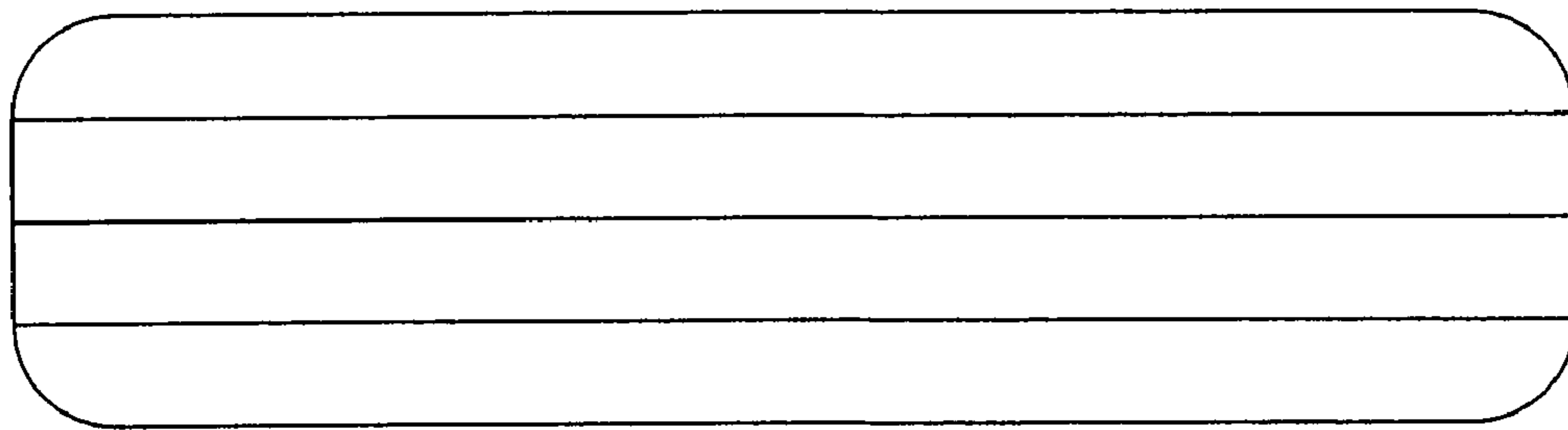


Fig. 4

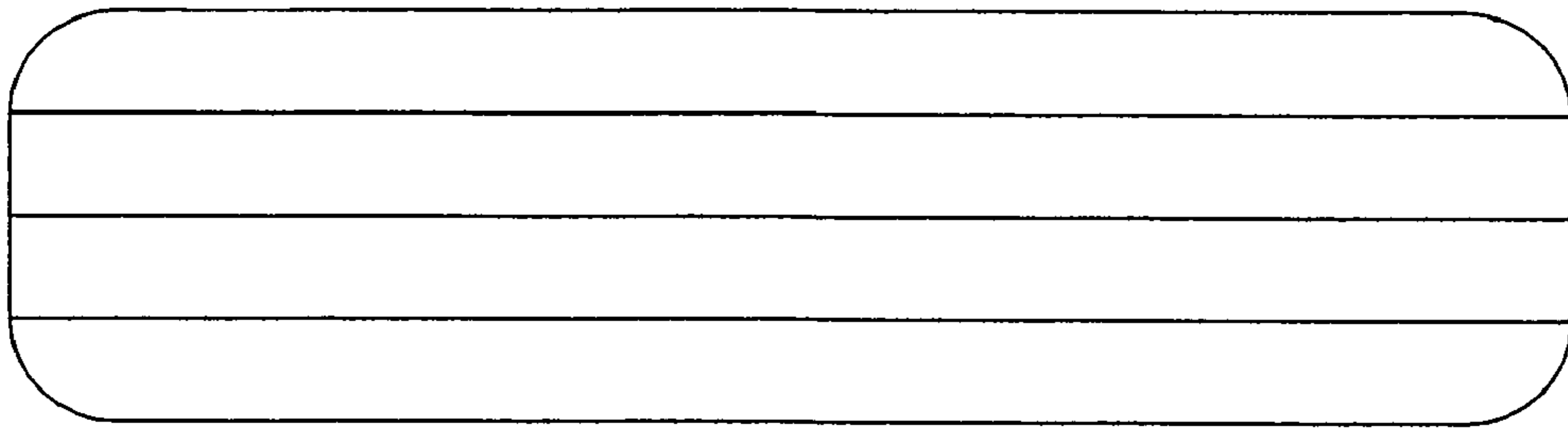


Fig. 5

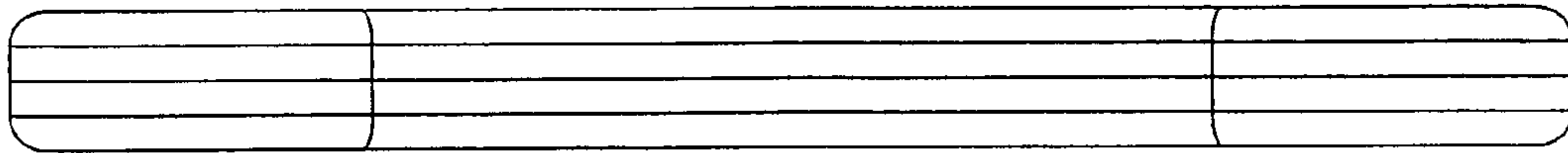


Fig. 6



Fig. 7



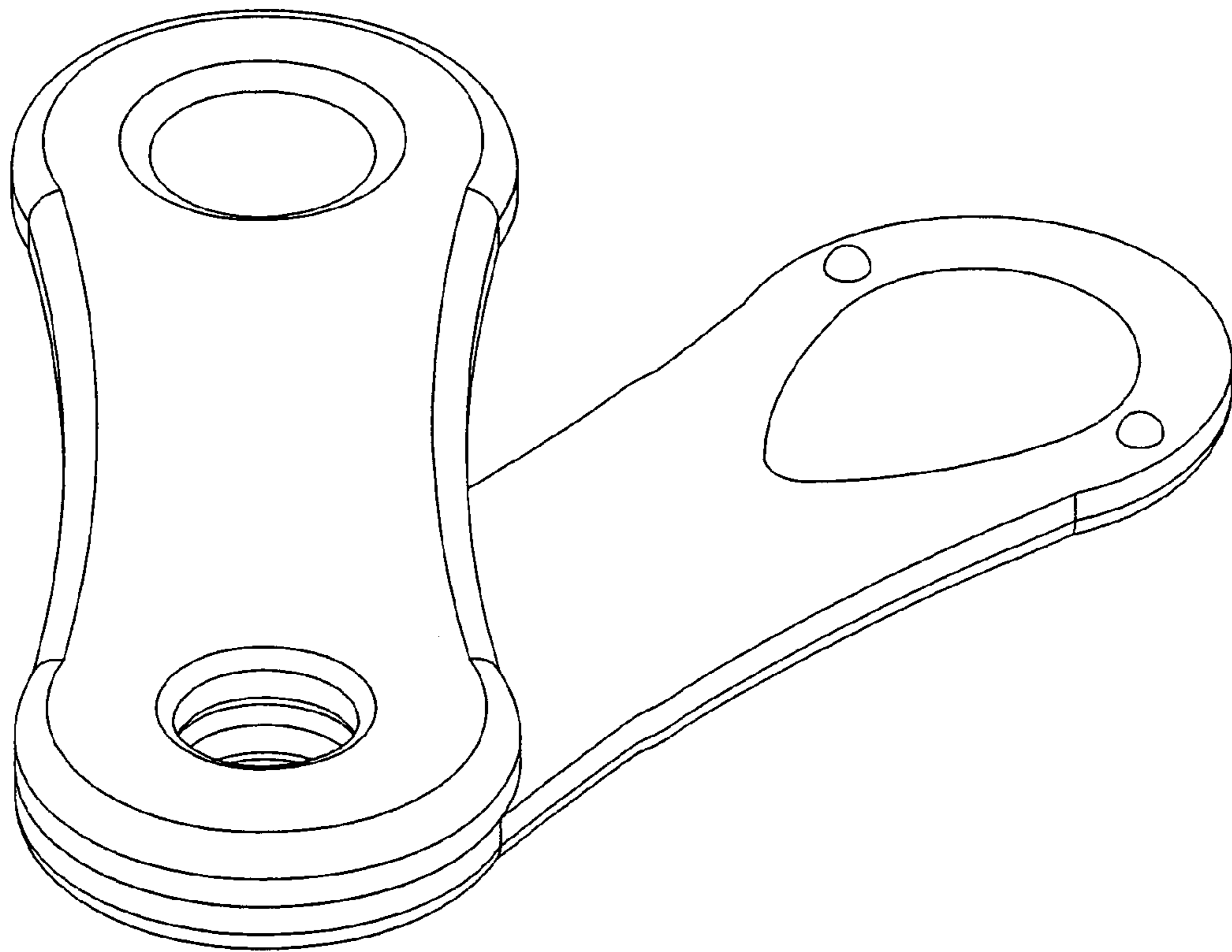


Fig. 8