



US00D607601S

(12) **United States Design Patent**
Eichbaum

(10) **Patent No.:** **US D607,601 S**

(45) **Date of Patent:** **** Jan. 5, 2010**

(54) **WALL LAMP**

(57) **CLAIM**

(76) Inventor: **Thomas N. Eichbaum**, 4321 VanBuren St., University Park, MD (US) 20782

The ornamental design for a wall lamp, as shown and described.

(**) Term: **14 Years**

DESCRIPTION

(21) Appl. No.: **29/314,281**

(22) Filed: **Mar. 18, 2009**

(51) **LOC (9) Cl.** **23-03**

(52) **U.S. Cl.** **D26/93**

(58) **Field of Classification Search** D26/1,
D26/24, 67, 93-94, 101, 104-110, 113, 118;
362/3, 153, 186, 217, 255, 257, 277, 317,
362/351, 353, 362, 363, 382, 431, 433, 458,
362/806

See application file for complete search history.

FIG. 1 is a pictorial view of the wall lamp according to the present invention, with a power cord shown in broken lines, not forming a part of the invention.

FIG. 2 is a right side view of the wall lamp shown in FIG. 1, the left side view being a mirror image, with a power cord shown in broken lines, not forming a part of the invention.

FIG. 3 is a front view of the wall lamp shown in FIGS. 1 and 2, with a power cord shown in broken lines, not forming a part of the invention.

FIG. 4 is a top view of the wall lamp shown in FIGS. 1-3, with a wall surface indicated with a broken line, not forming a part of the invention.

FIG. 5 is a bottom view of the wall lamp shown in FIGS. 1-4 with a wall surface indicated with a broken line, not forming a part of the invention; and,

FIG. 6 is a rear view of the wall lamp shown in FIGS. 1-5, with a wall surface indicated with a broken line, not forming a part of the invention

(56) **References Cited**

U.S. PATENT DOCUMENTS

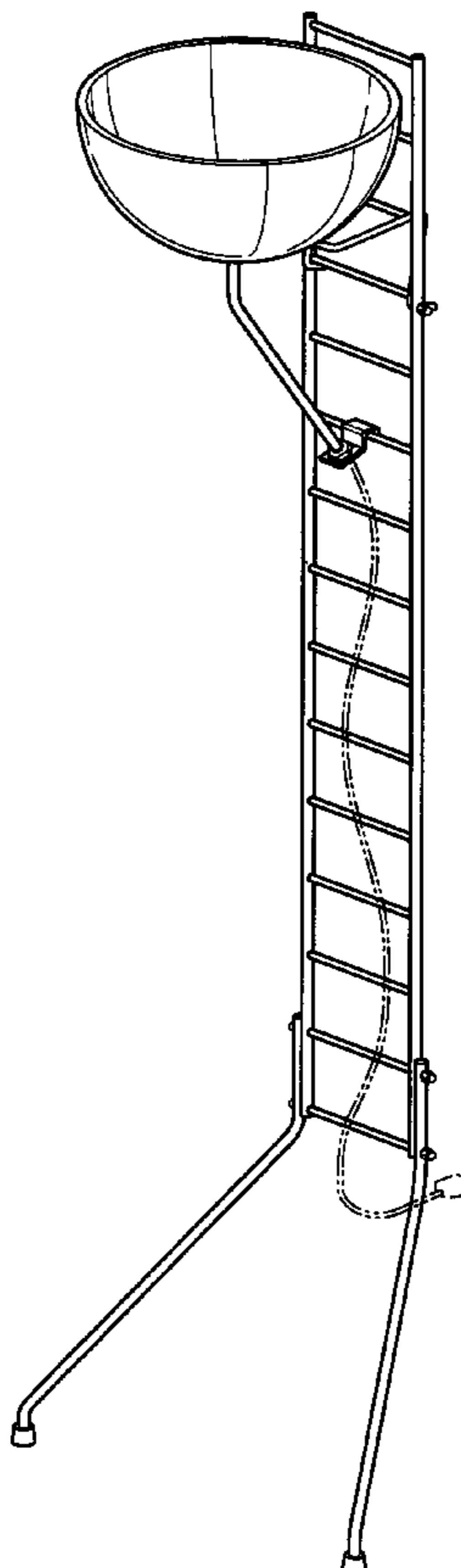
| | | | | |
|----------------|--------|------------|-------|---------|
| D280,133 S * | 8/1985 | Cocking | | D26/105 |
| D423,705 S * | 4/2000 | Swanson | | D26/93 |
| D435,929 S * | 1/2001 | Yeh | | D26/106 |
| 6,883,942 B2 * | 4/2005 | Denningham | | D26/93 |

* cited by examiner

Primary Examiner—Brian N Vinson

(74) *Attorney, Agent, or Firm*—John R. Benefiel

1 Claim, 3 Drawing Sheets



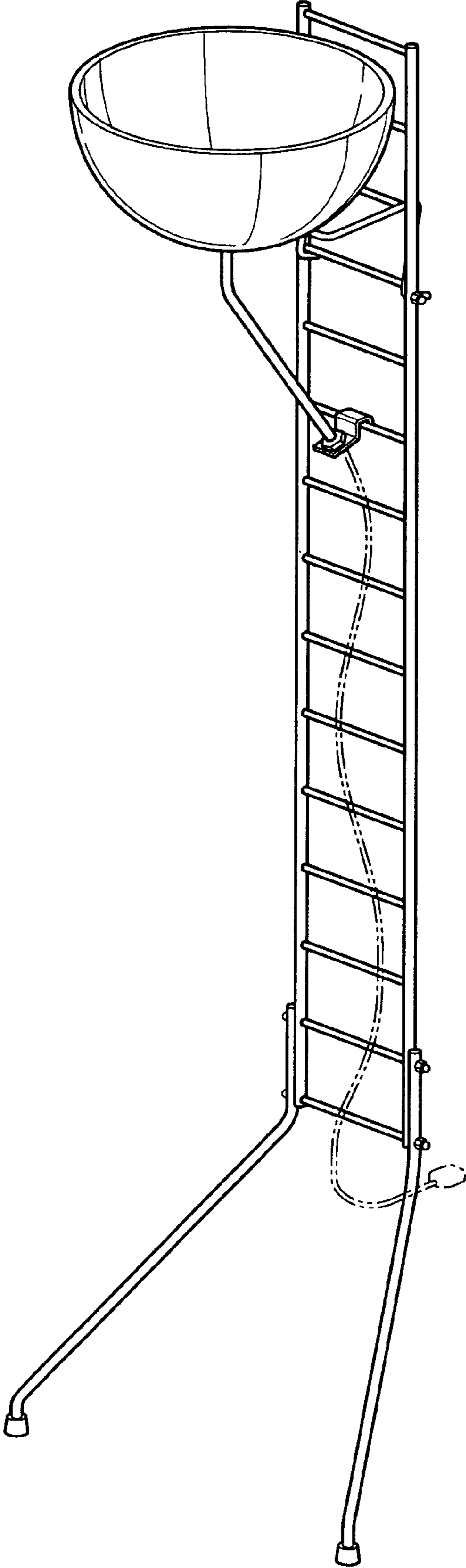


FIG. 1

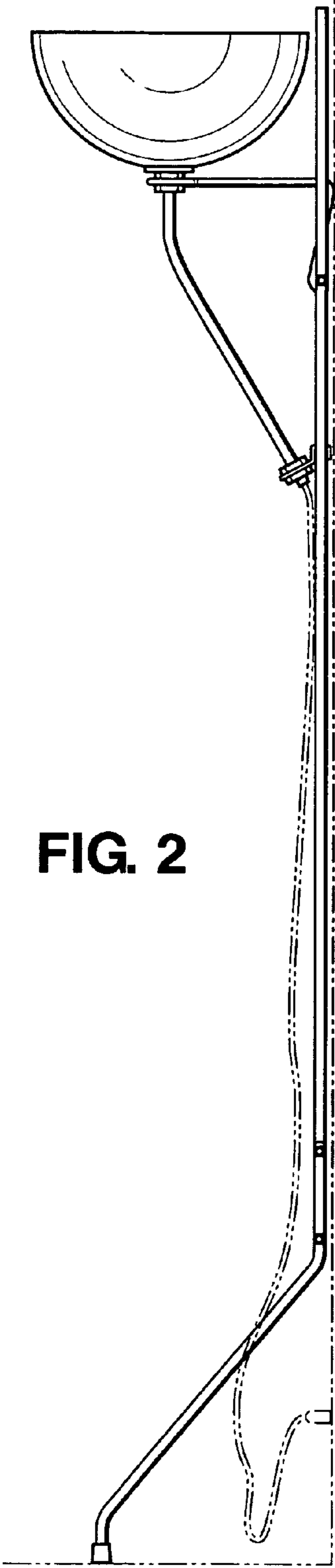


FIG. 2

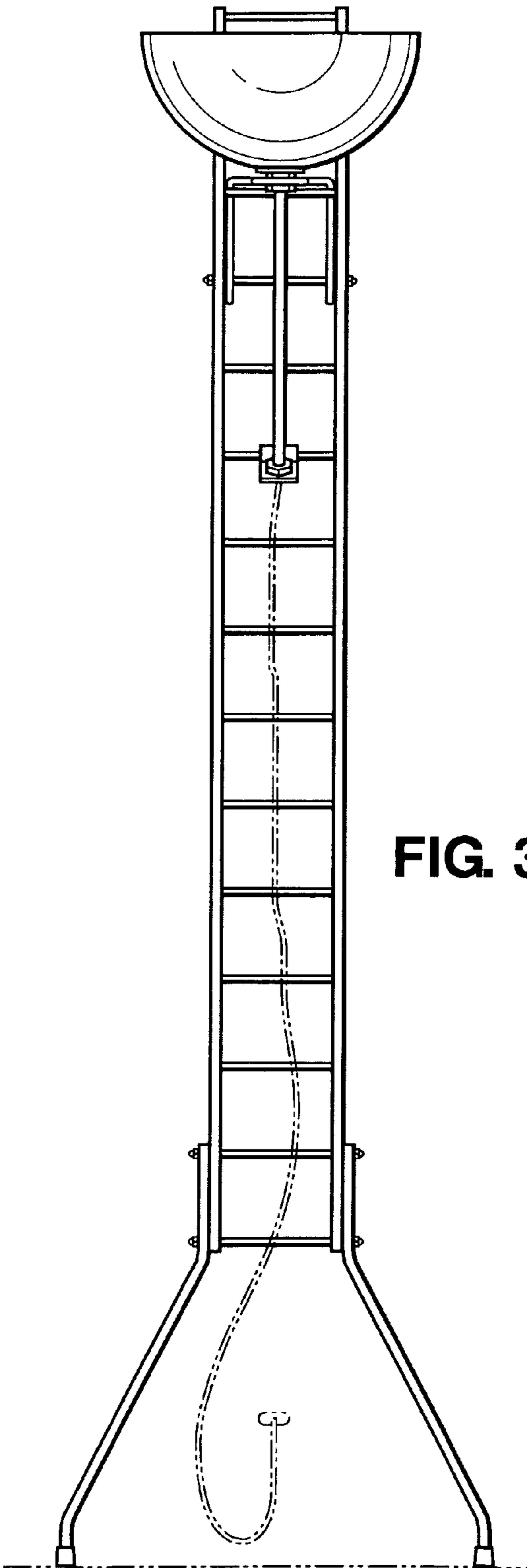


FIG. 3

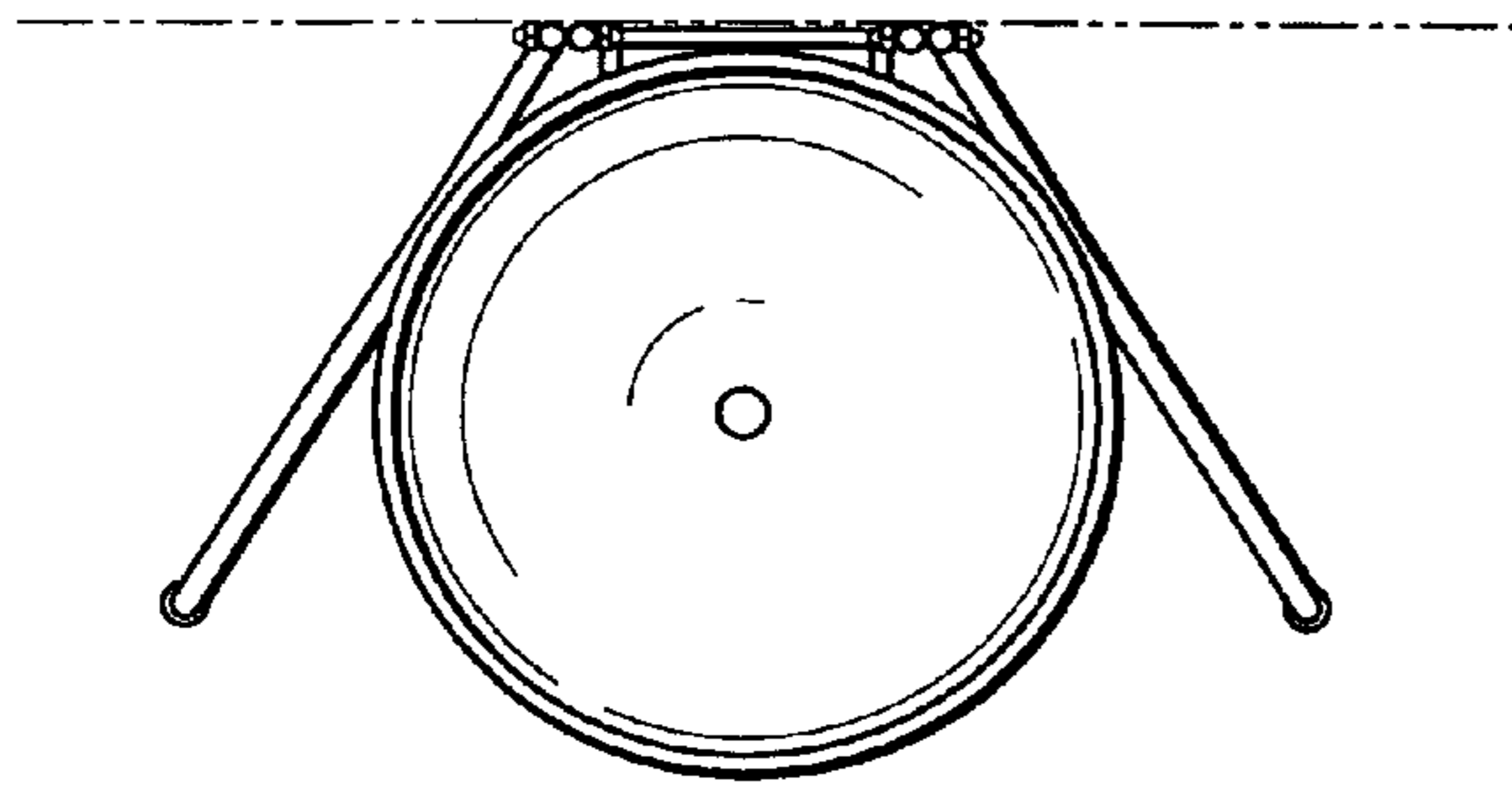


FIG. 4

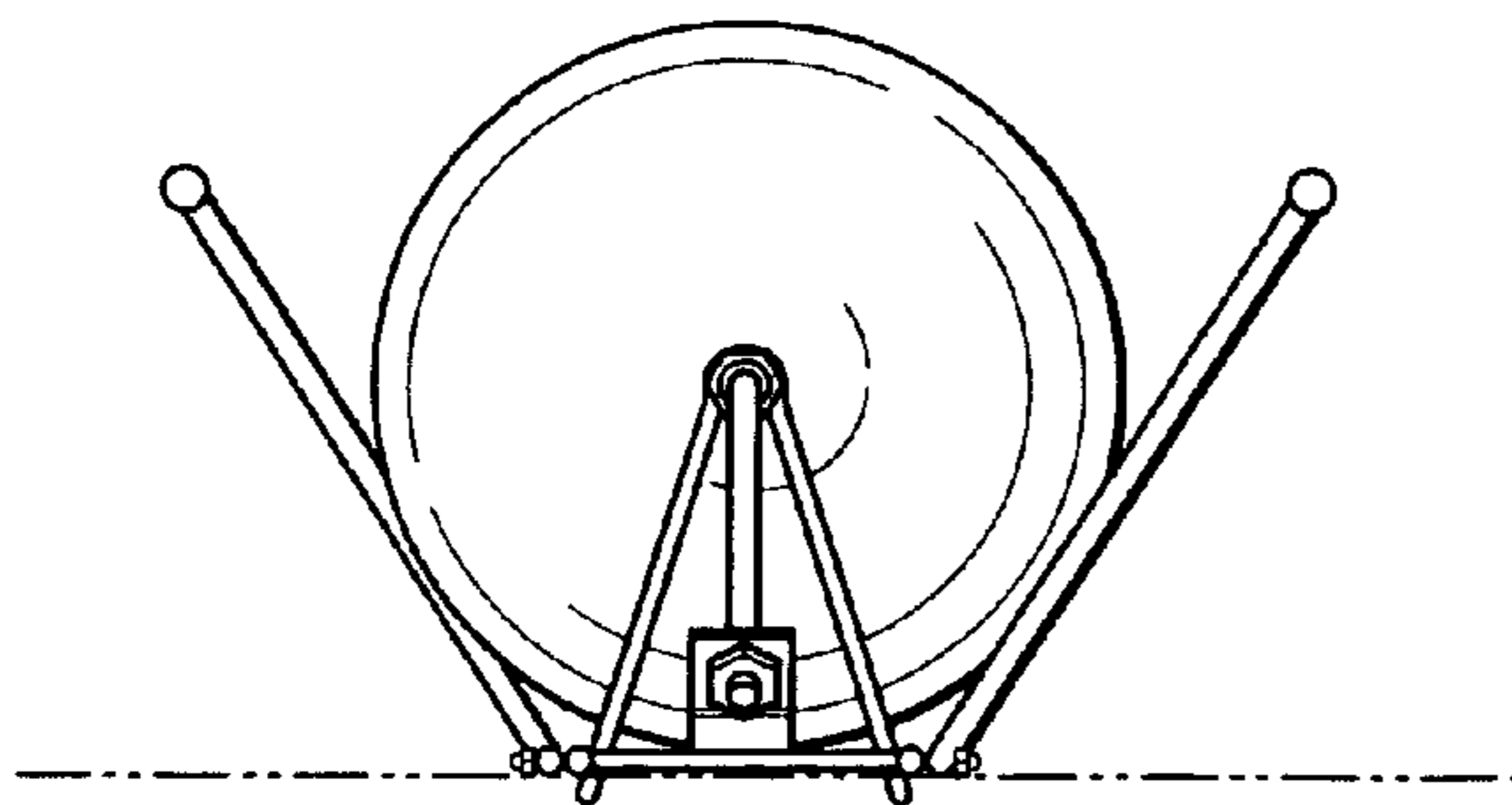


FIG. 5

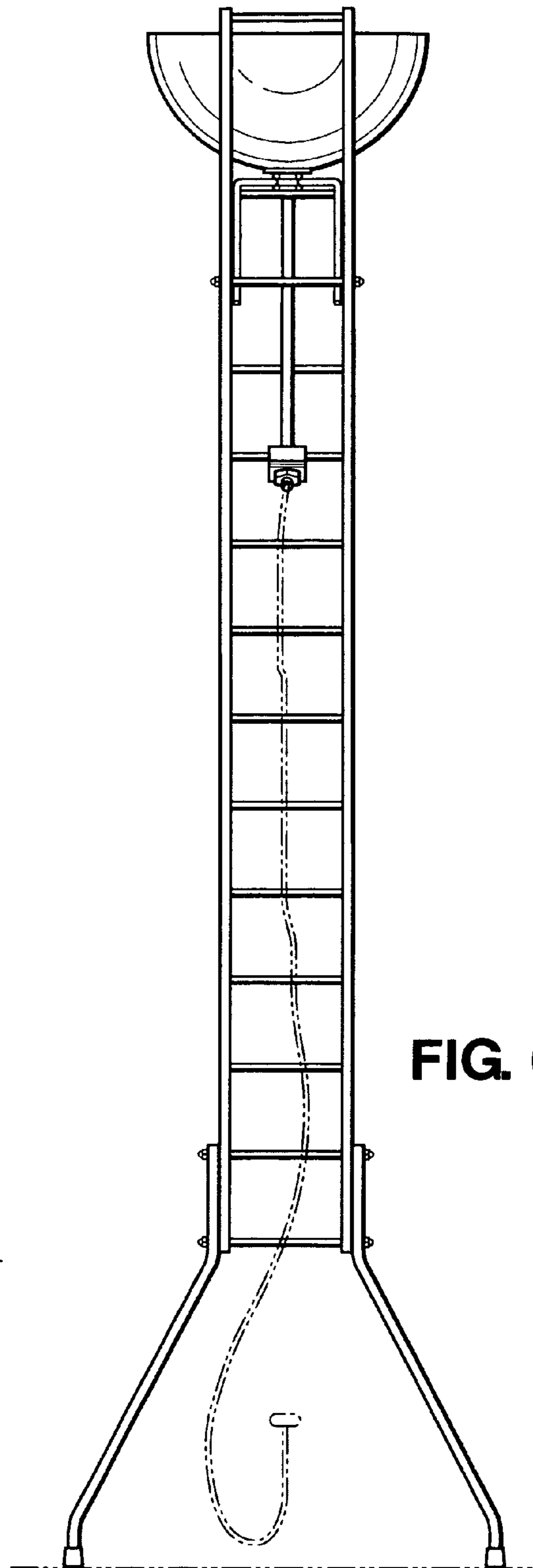


FIG. 6