



US00D607598S

(12) **United States Design Patent**
Xiao et al.

(10) **Patent No.:** **US D607,598 S**

(45) **Date of Patent:** **** Jan. 5, 2010**

(54) **LED LAMP**

(75) Inventors: **Xin-Jian Xiao**, Shenzhen (CN); **Qin-Fei Zhou**, Shenzhen (CN); **Shih-Hsun Wung**, Taipei Hsien (TW)

(73) Assignee: **Foxconn Technology Co., Ltd.**,
Tu-Cheng, Taipei Hsien (TW)

(**) Term: **14 Years**

(21) Appl. No.: **29/329,671**

(22) Filed: **Dec. 18, 2008**

(51) **LOC (9) Cl.** **26-03**

(52) **U.S. Cl.** **D26/80; D26/76**

(58) **Field of Classification Search** D26/72,
D26/75-78, 80; 362/133, 147, 217.01, 219,
362/221-225, 217.02, 217.08, 217.09, 217.1,
362/217.16

See application file for complete search history.

(56) **References Cited**

U.S. PATENT DOCUMENTS

D125,468 S * 2/1941 Dreyfuss D26/75
2,715,449 A * 8/1955 Smith et al. 362/217.07
5,245,518 A * 9/1993 Aspenwall 362/217.09
D344,605 S * 2/1994 Aspenwall D26/76

D401,001 S * 11/1998 Herst et al. D26/77
D492,809 S * 7/2004 Weitgasser D26/76
D521,172 S * 5/2006 Chen D26/76
D554,793 S * 11/2007 Bobel D26/76
D567,425 S * 4/2008 Yates D26/76
D581,080 S * 11/2008 Mier-Langner D26/72
2007/0183148 A1 * 8/2007 Mayfield et al. 362/223

* cited by examiner

Primary Examiner—Clare E Heflin

(74) *Attorney, Agent, or Firm*—Frank R. Niranjan

(57) **CLAIM**

The ornamental design for an LED lamp, as shown.

DESCRIPTION

FIG. 1 is a perspective view of an LED lamp showing our new design.

FIG. 2 is a front elevational view thereof.

FIG. 3 is a rear elevational view thereof.

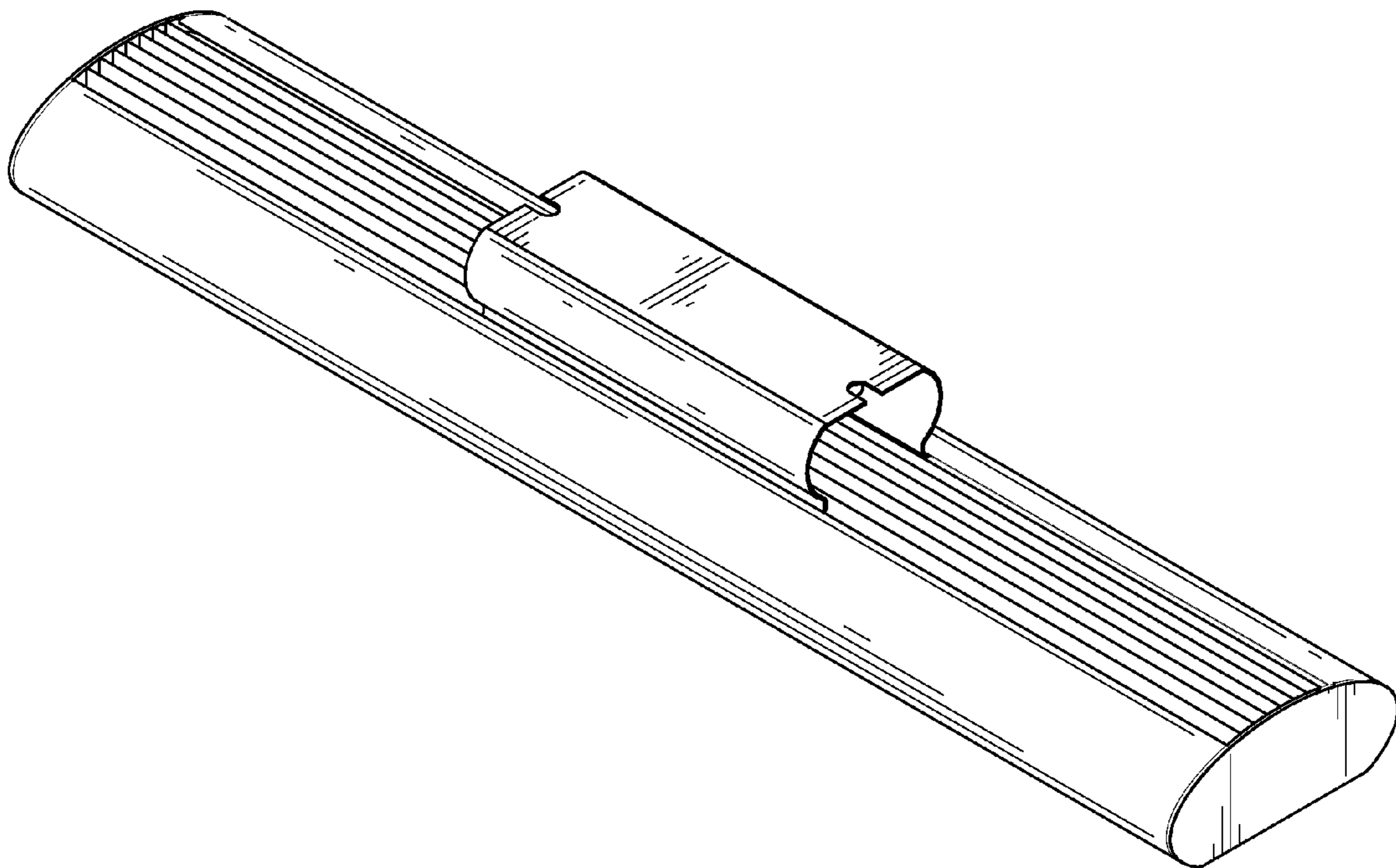
FIG. 4 is a left-side, elevational view thereof.

FIG. 5 is a right-side, elevational view thereof.

FIG. 6 is a top plan view thereof; and,

FIG. 7 is a bottom plan view thereof.

1 Claim, 7 Drawing Sheets



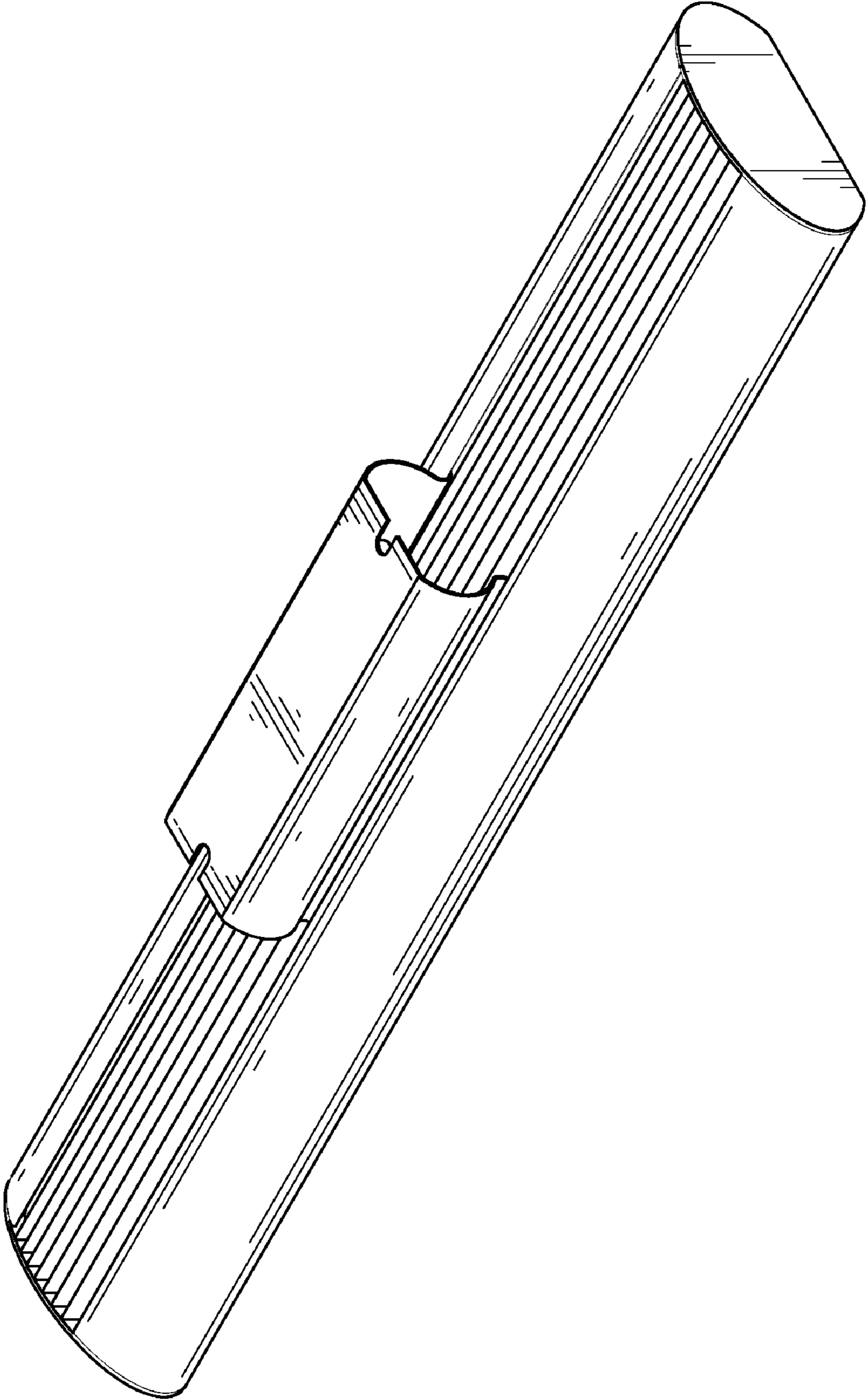


FIG. 1

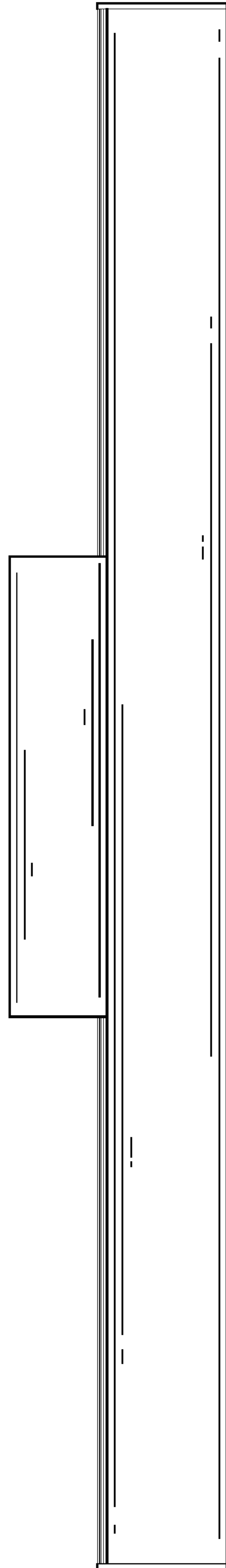


FIG. 2

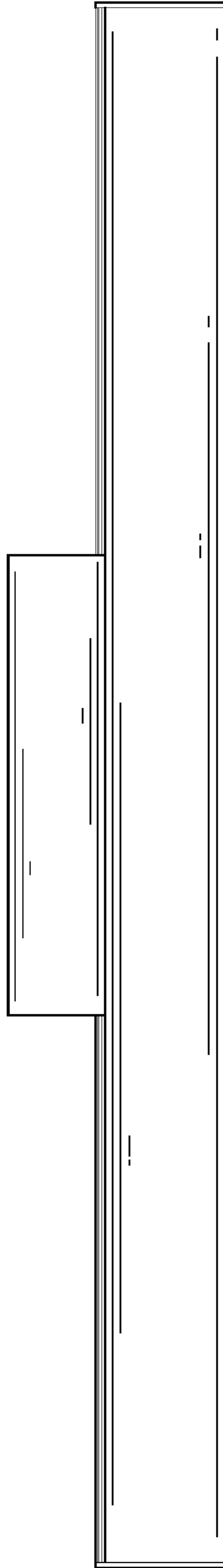


FIG. 3

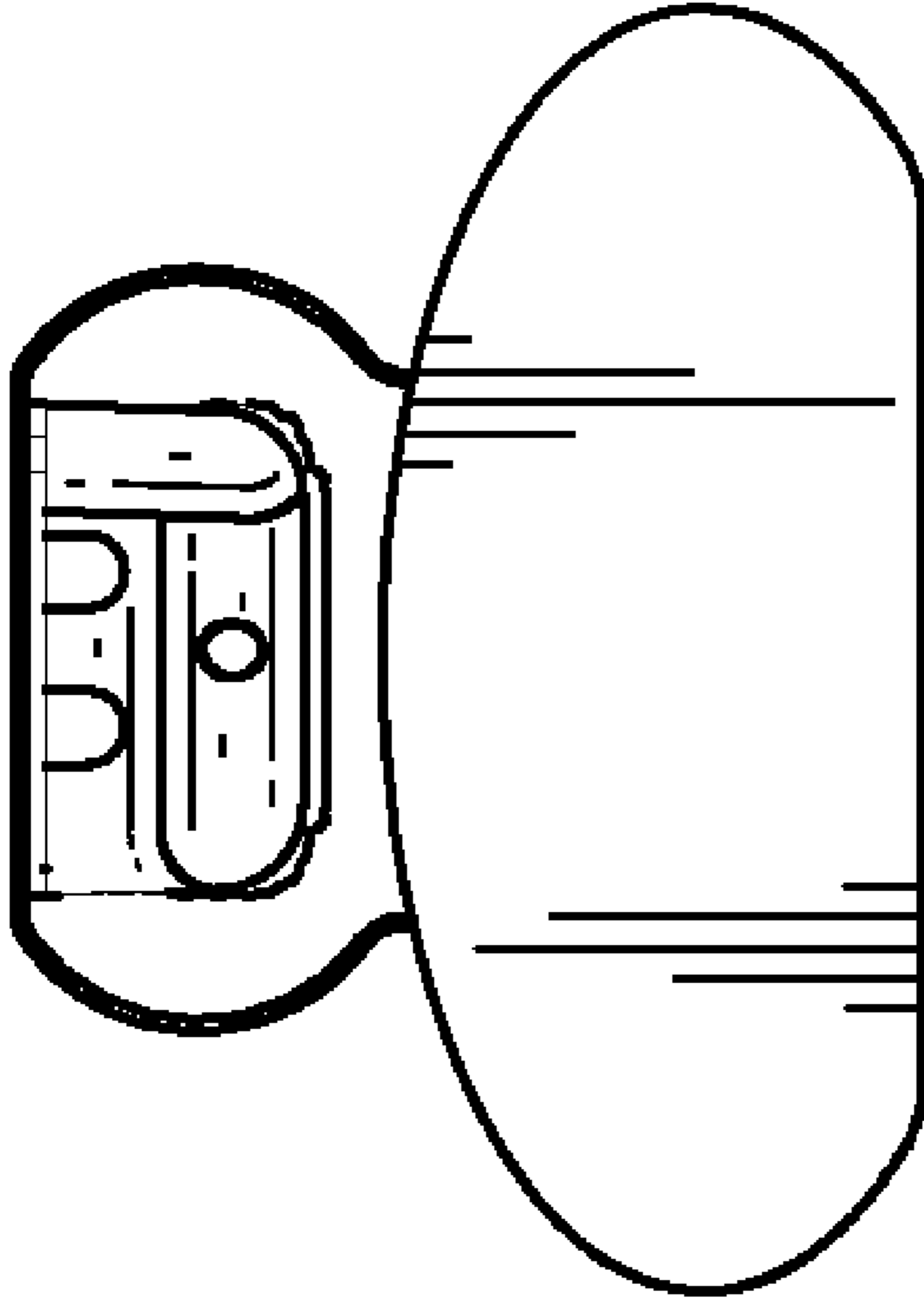


FIG. 4

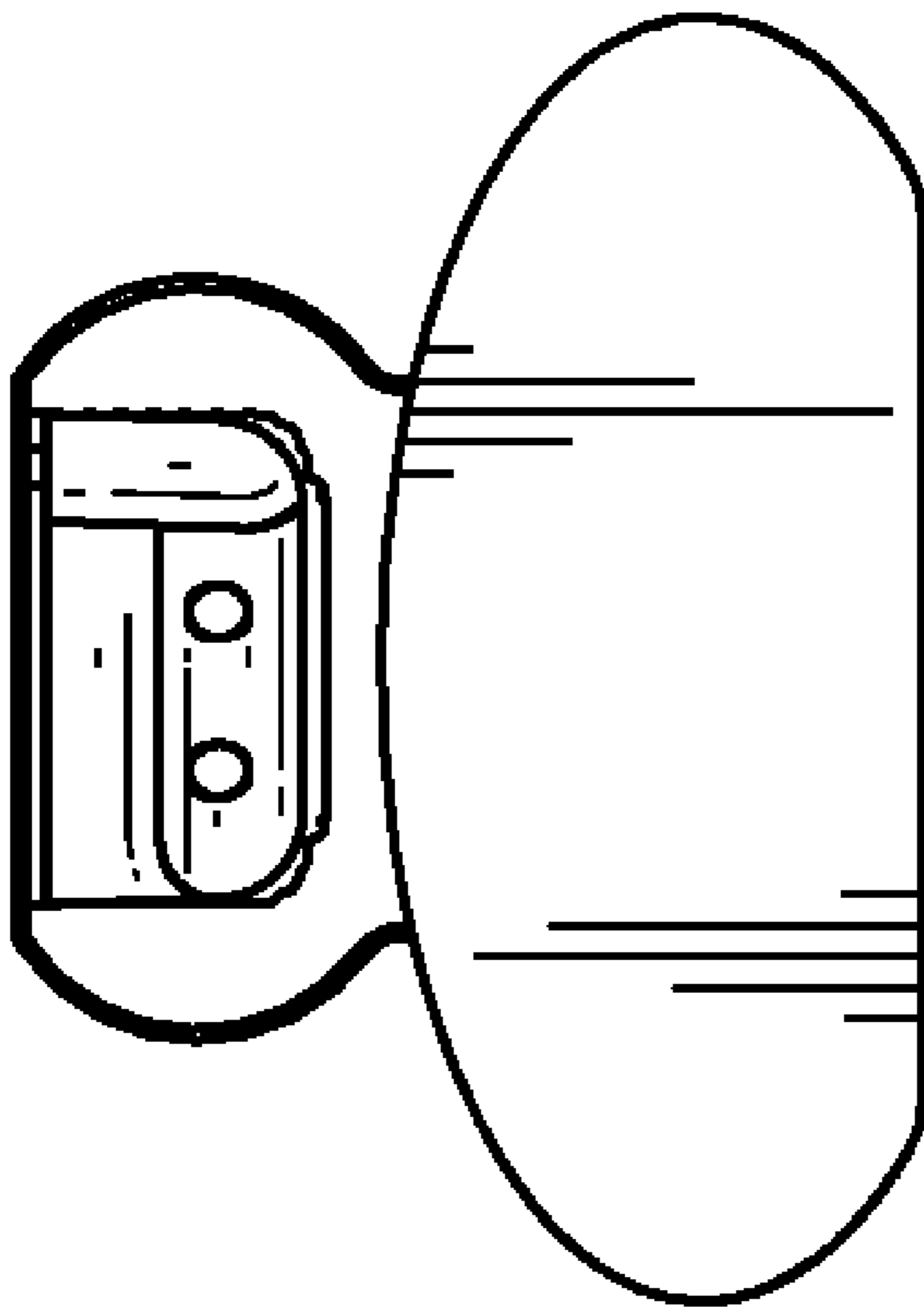


FIG. 5

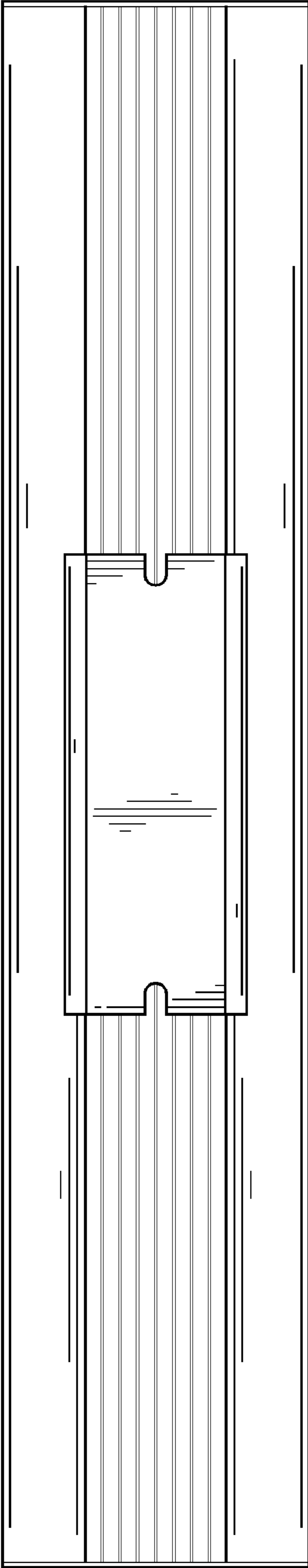


FIG. 6

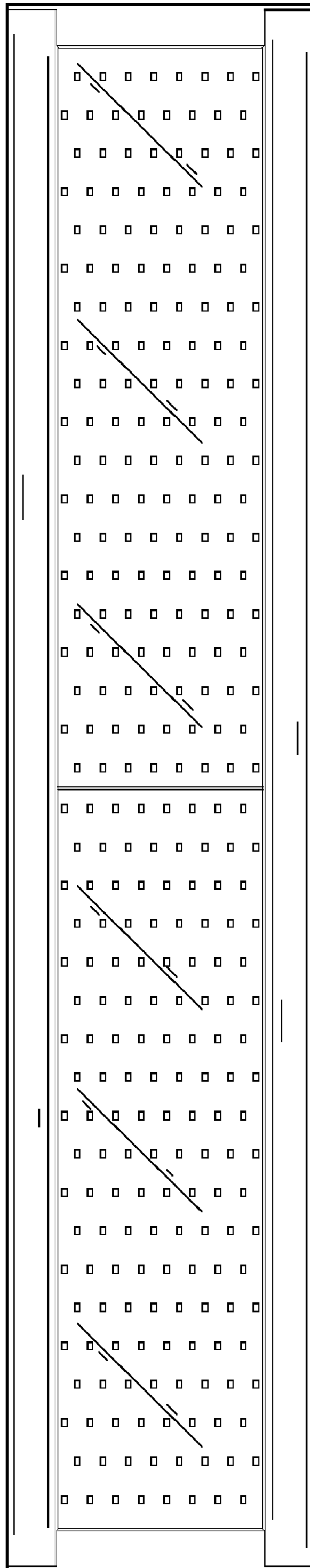


FIG. 7