



US00D607596S

(12) **United States Design Patent**
Copeland

(10) **Patent No.:** **US D607,596 S**

(45) **Date of Patent:** **** Jan. 5, 2010**

(54) **LIGHT**

D561,925 S * 2/2008 Levine D26/72
D564,687 S * 3/2008 Bucher et al. D26/60
D588,291 S * 3/2009 VanderWoude D26/37

(75) Inventor: **Steve A. Copeland**, Barrie (CA)

(73) Assignee: **American Tack and Hardware Co., Inc.**, Saddle River, NJ (US)

(**) Term: **14 Years**

* cited by examiner

Primary Examiner—Clare E Heflin

(74) *Attorney, Agent, or Firm*—Hedman & Costigan, P.C.; Kathleen A. Costigan

(21) Appl. No.: **29/323,770**

(22) Filed: **Aug. 29, 2008**

(57) **CLAIM**

The ornamental design for a light, as shown and described.

(51) **LOC (9) Cl.** **26-05**

(52) **U.S. Cl.** **D26/80; D26/61**

(58) **Field of Classification Search** D26/24,
D26/36, 37, 44, 60, 61, 63, 72, 80, 138; 362/98,
362/99, 101, 182, 202, 267, 473, 477, 515
See application file for complete search history.

DESCRIPTION

FIG. 1 is a front and left side perspective view of a light showing my new design;

FIG. 2 is a front elevational view thereof;

FIG. 3 is a back elevational view thereof;

FIG. 4 is a right side elevational view thereof;

FIG. 5 is a left side elevational view thereof;

FIG. 6 is a top plan view thereof; and,

FIG. 7 is a bottom plan view thereof.

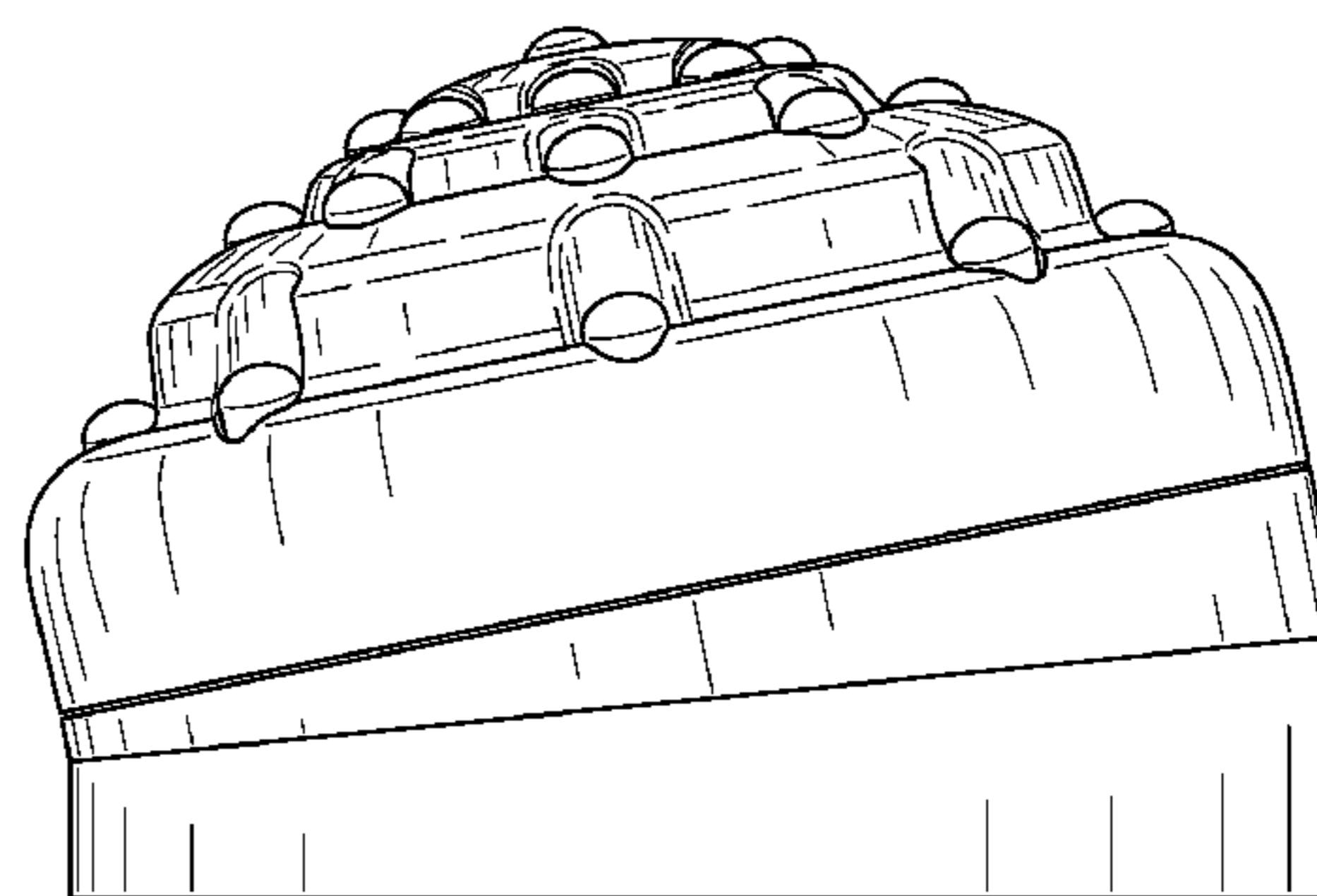
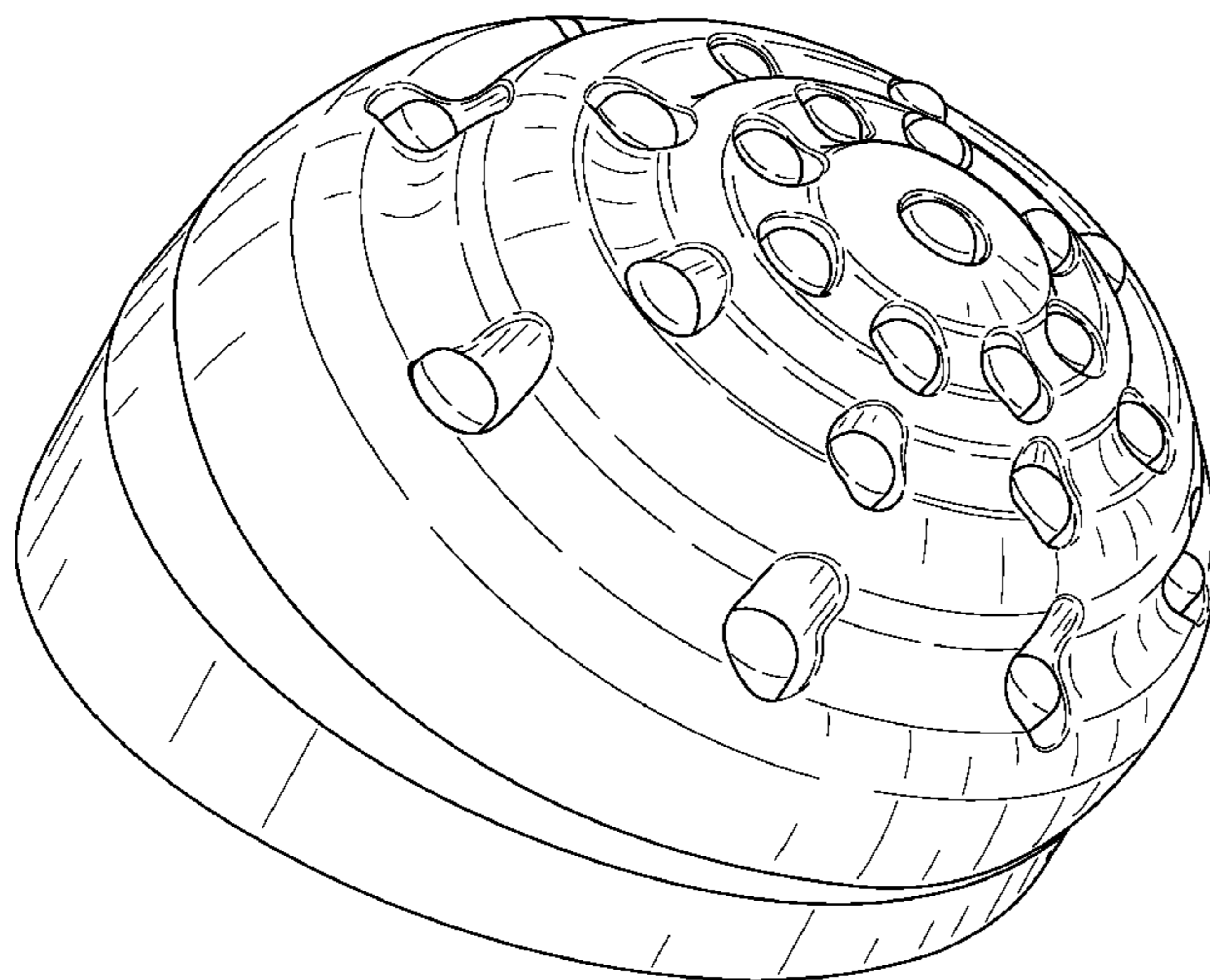
The broken lines shown on the drawings depict environment only and form no part of the claimed design.

(56) **References Cited**

U.S. PATENT DOCUMENTS

D161,709 S * 1/1951 Rahn D26/36
D377,226 S * 1/1997 Shen D26/60
D405,216 S * 2/1999 Porter et al. D26/138
D454,967 S * 3/2002 Brown et al. D26/37
D459,515 S * 6/2002 Gaskins et al. D26/67
D476,105 S * 6/2003 Alsobrook D26/51
6,578,994 B1 * 6/2003 Beyerlein 362/473

1 Claim, 4 Drawing Sheets



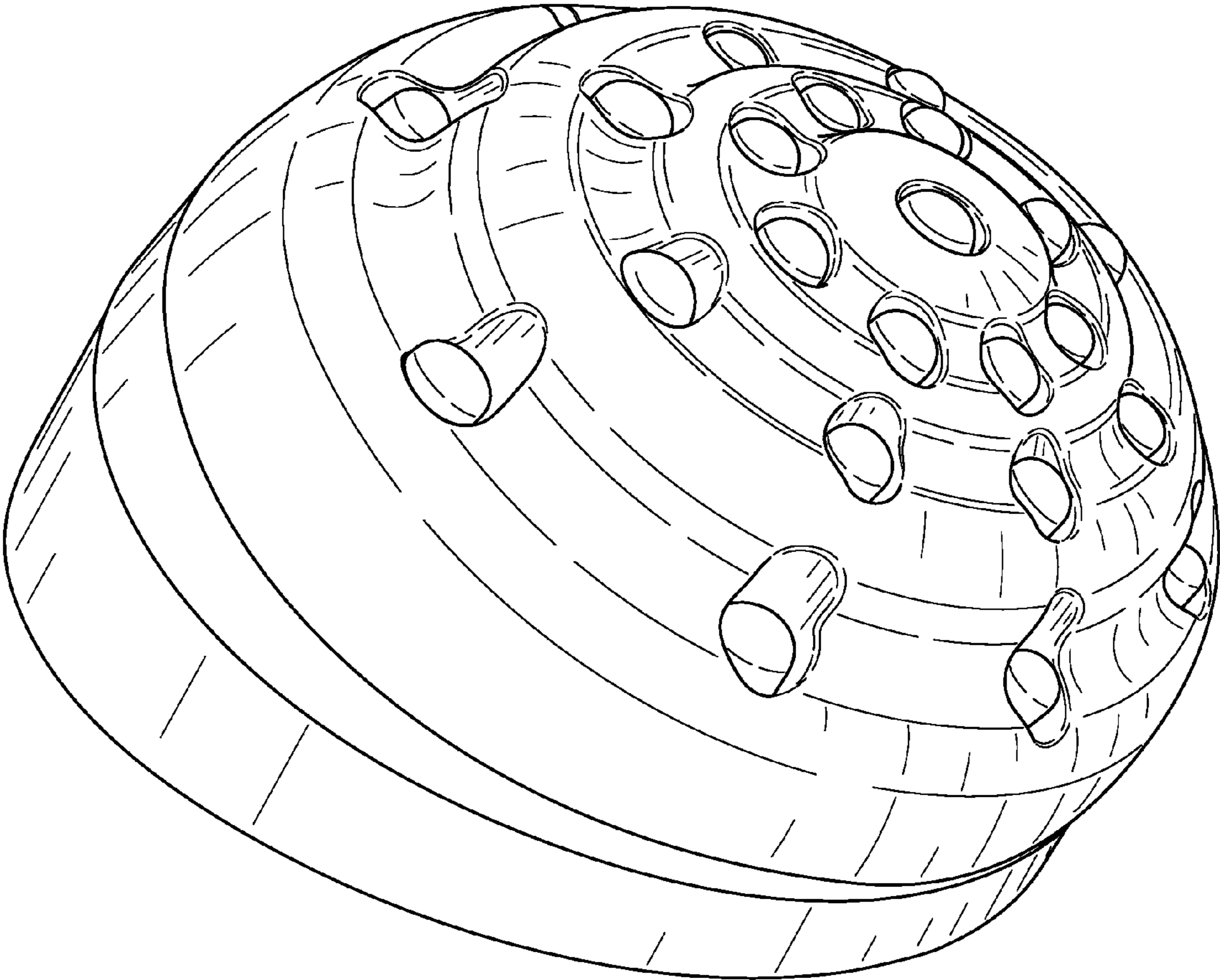


FIG. 1

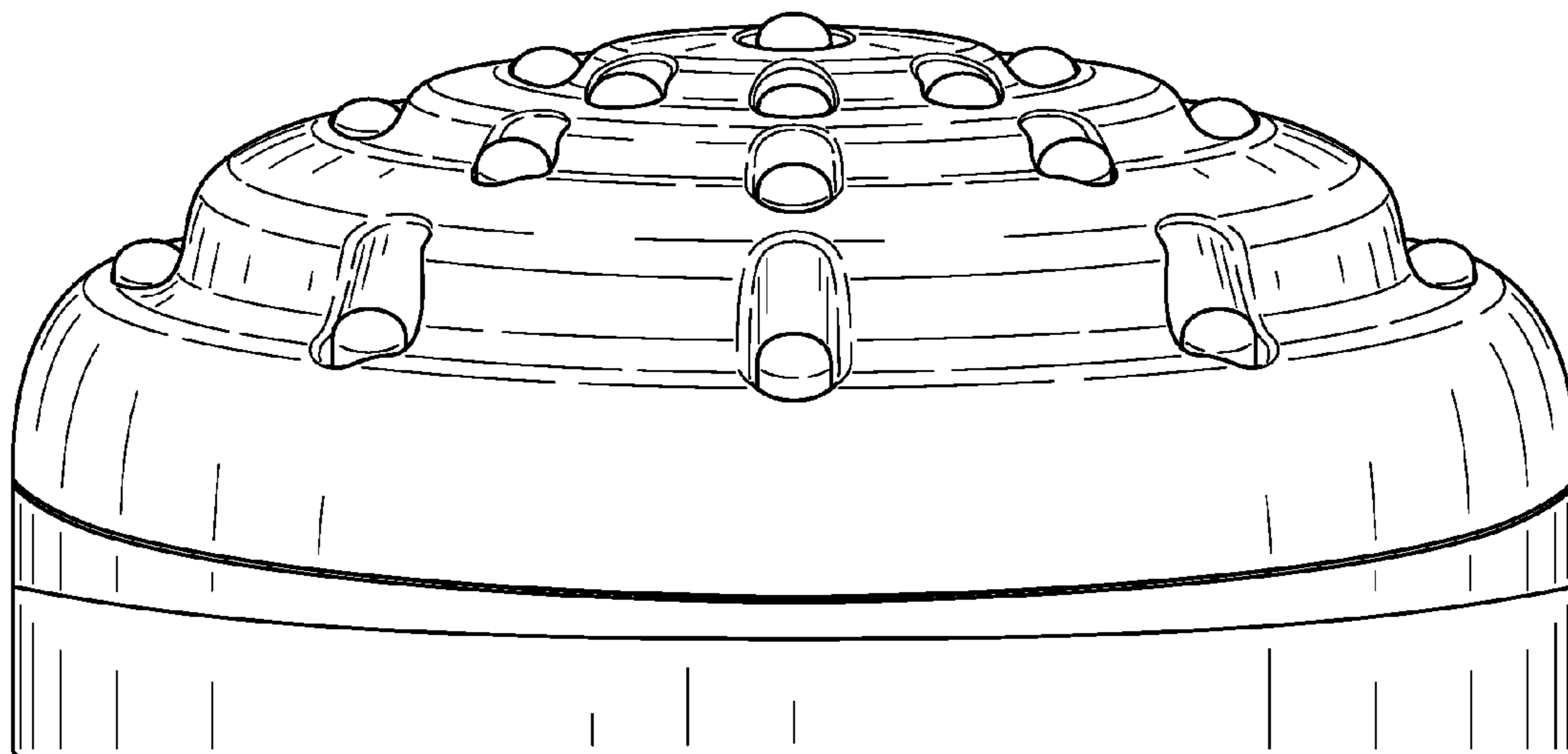


FIG. 2

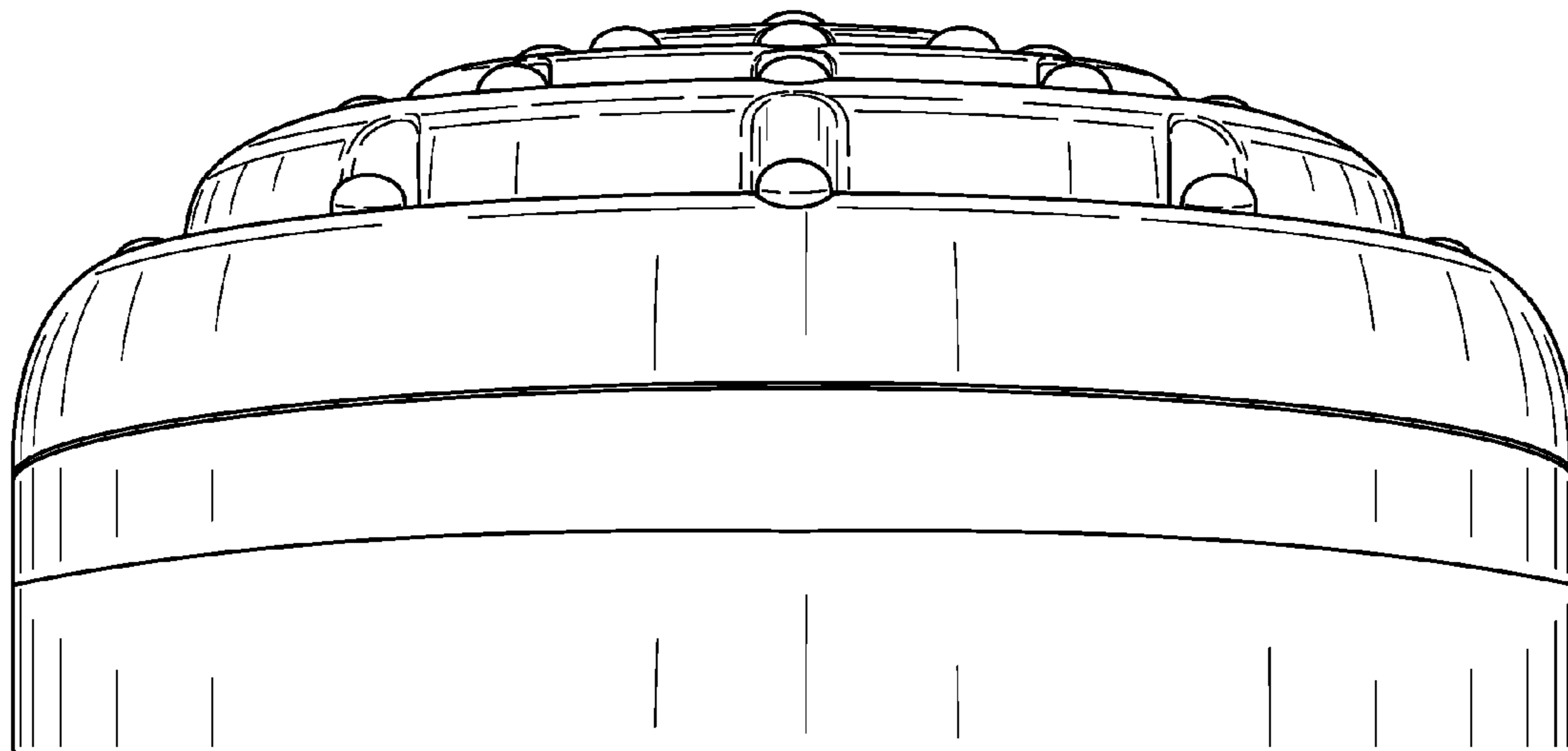


FIG. 3

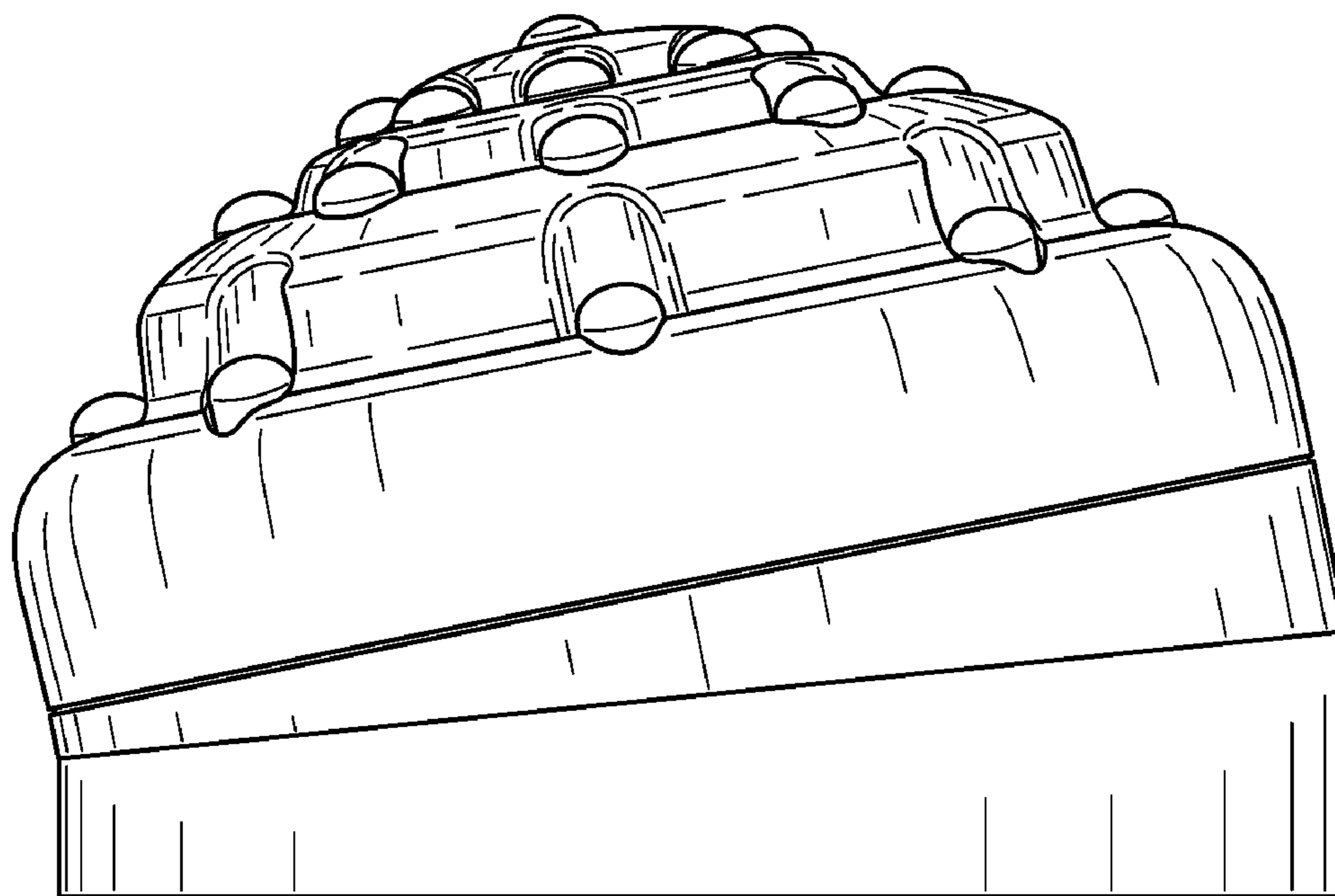


FIG. 4

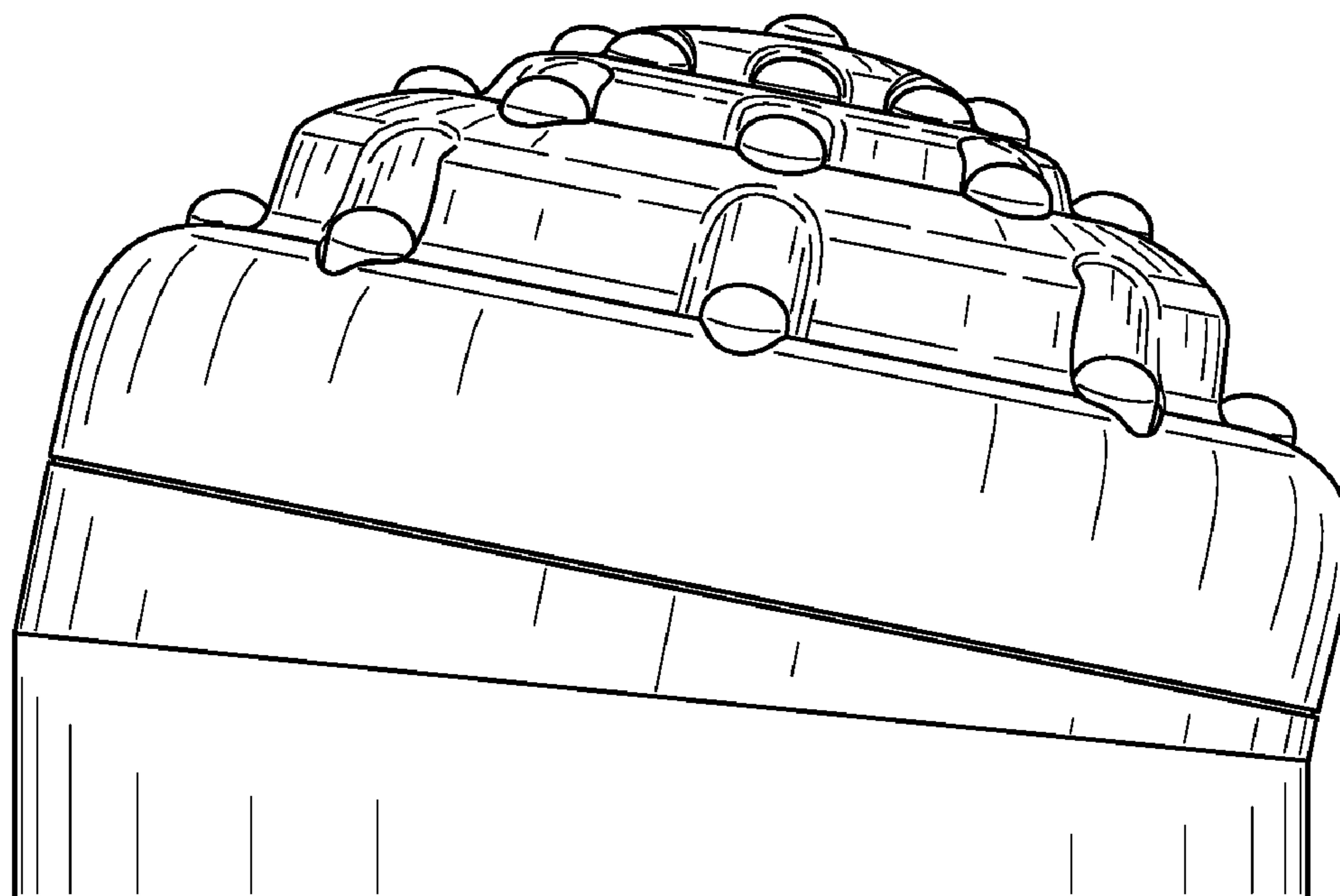


FIG. 5

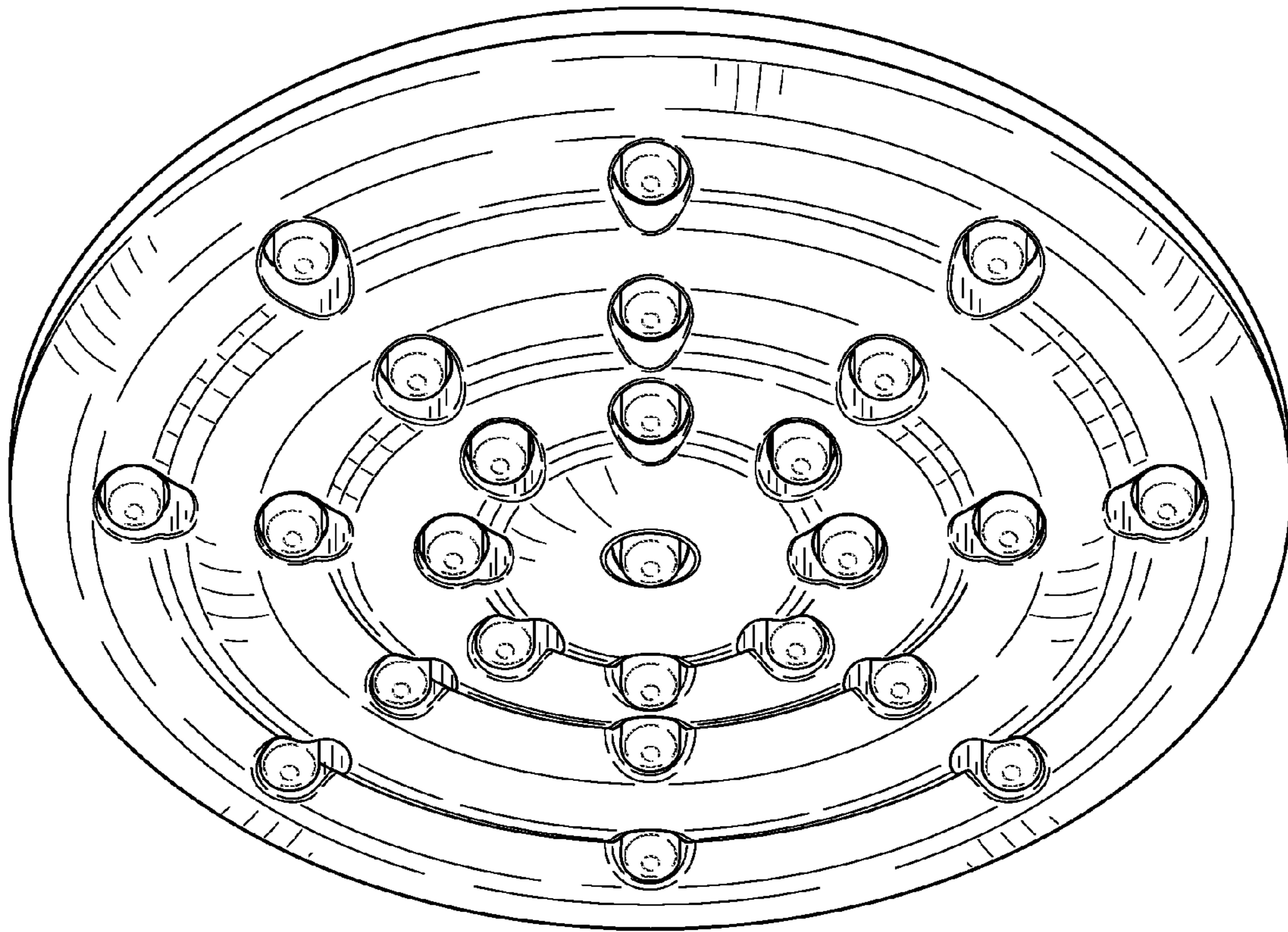


FIG. 6

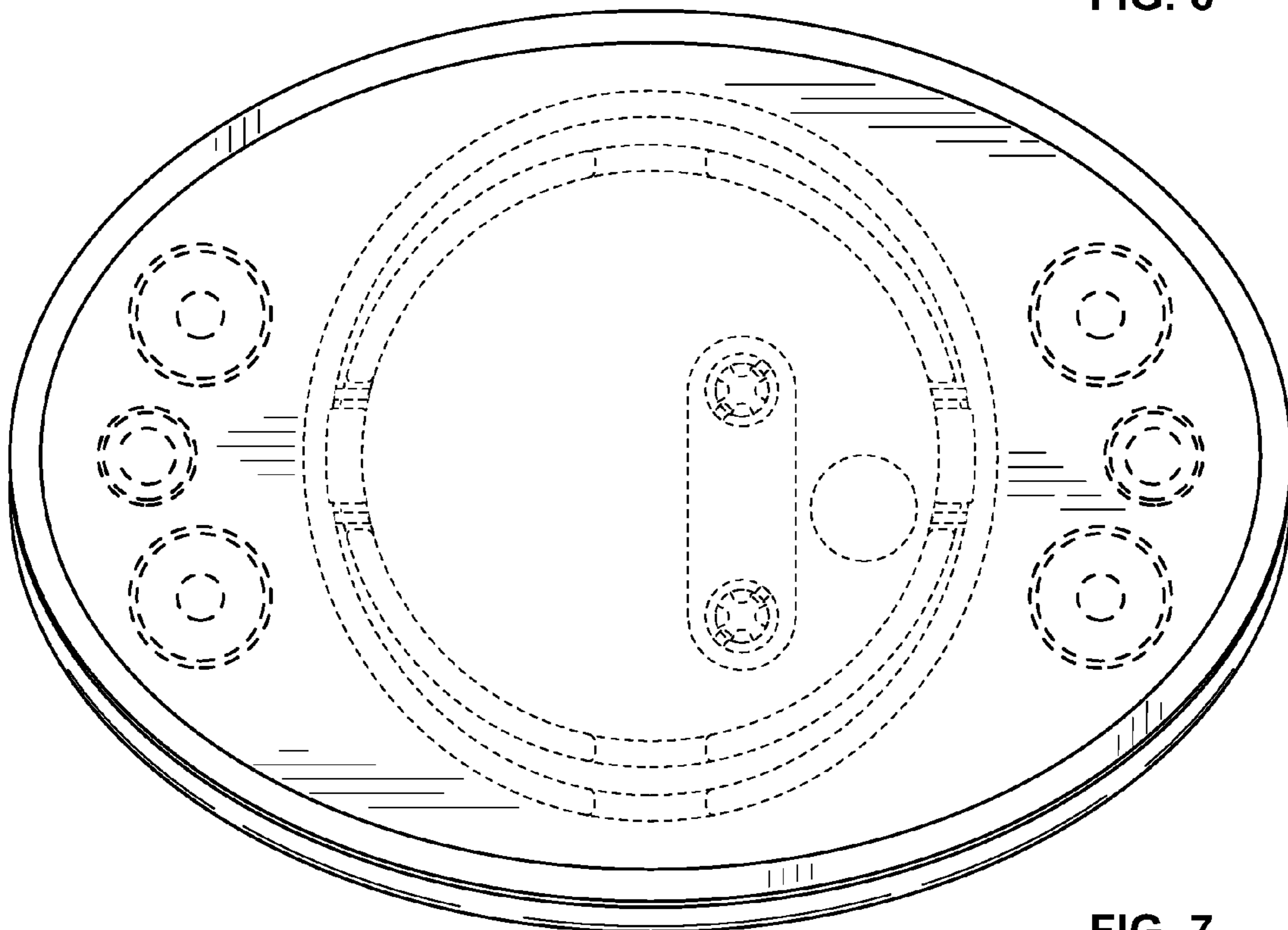


FIG. 7