



US00D607593S

(12) **United States Design Patent**
Yoo

(10) **Patent No.:** **US D607,593 S**
(45) **Date of Patent:** **** Jan. 5, 2010**

(54) **HEAD PART OF A STREET LIGHT**

(75) Inventor: **Young Ho Yoo**, Goyang-si (KR)

(73) Assignee: **Fawoo Technology Co., Ltd.**,
Goyang-Si, Gyeonggi-Do (KR)

(**) Term: **14 Years**

(21) Appl. No.: **29/330,446**

(22) Filed: **Jan. 7, 2009**

(30) **Foreign Application Priority Data**

Jul. 15, 2008 (KR) 30-2008-0030569

(51) **LOC (9) Cl.** **26-05**

(52) **U.S. Cl.** **D26/71**

(58) **Field of Classification Search** D26/67-72,
D26/85, 92; 362/145, 152, 183, 294, 373,
362/414, 431, 545

See application file for complete search history.

(56) **References Cited**

U.S. PATENT DOCUMENTS

D195,583 S *	7/1963	Phillips	D26/71
D442,313 S *	5/2001	Wojtkowiak et al.	D26/71
D543,306 S *	5/2007	Volkens	D26/71
D556,935 S *	12/2007	Quioque et al.	D26/71
7,329,030 B1 *	2/2008	Wang	362/373
D573,741 S *	7/2008	Lou	D26/71
D576,330 S *	9/2008	Ruud et al.	D26/71

D577,455 S *	9/2008	Zheng et al.	D26/71
D578,697 S *	10/2008	Zheng et al.	D26/71
D580,582 S *	11/2008	Fan	D26/71

* cited by examiner

Primary Examiner—Clare E. Heflin

(74) *Attorney, Agent, or Firm*—Lee, Hong, Degerman, Kang & Waimey

(57) **CLAIM**

The ornamental design for a head part of a street light, as shown and described.

DESCRIPTION

FIG. 1 is a perspective view of a head part of a street light;

FIG. 2 is a front view thereof;

FIG. 3 is a rear view thereof;

FIG. 4 is a left side view thereof;

FIG. 5 is a right side view thereof;

FIG. 6 is a plan view thereof;

FIG. 7 is a bottom view thereof;

FIG. 8 is another perspective view thereof;

FIG. 9 is an exploded perspective view thereof; and,

FIG. 10 is an exemplary view thereof.

The broken lines shown on the drawings depict environment only and form no part of the claimed design.

1 Claim, 5 Drawing Sheets

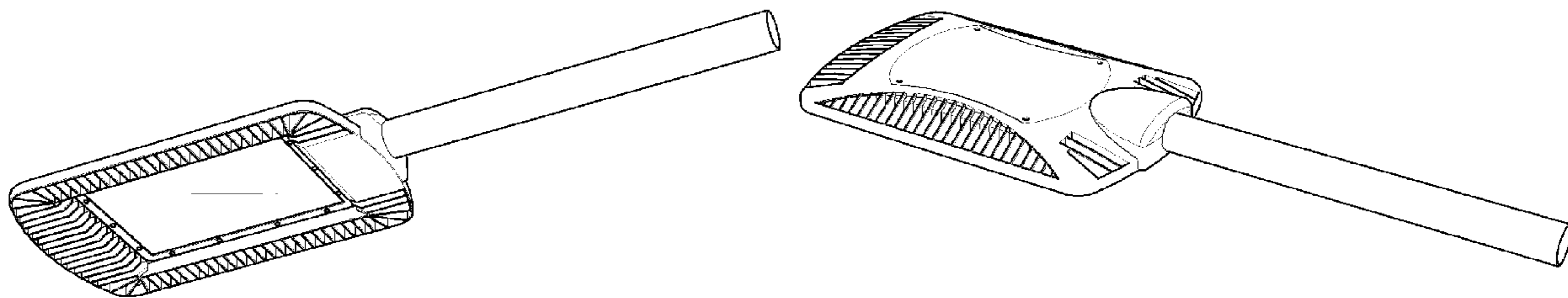


FIG. 1

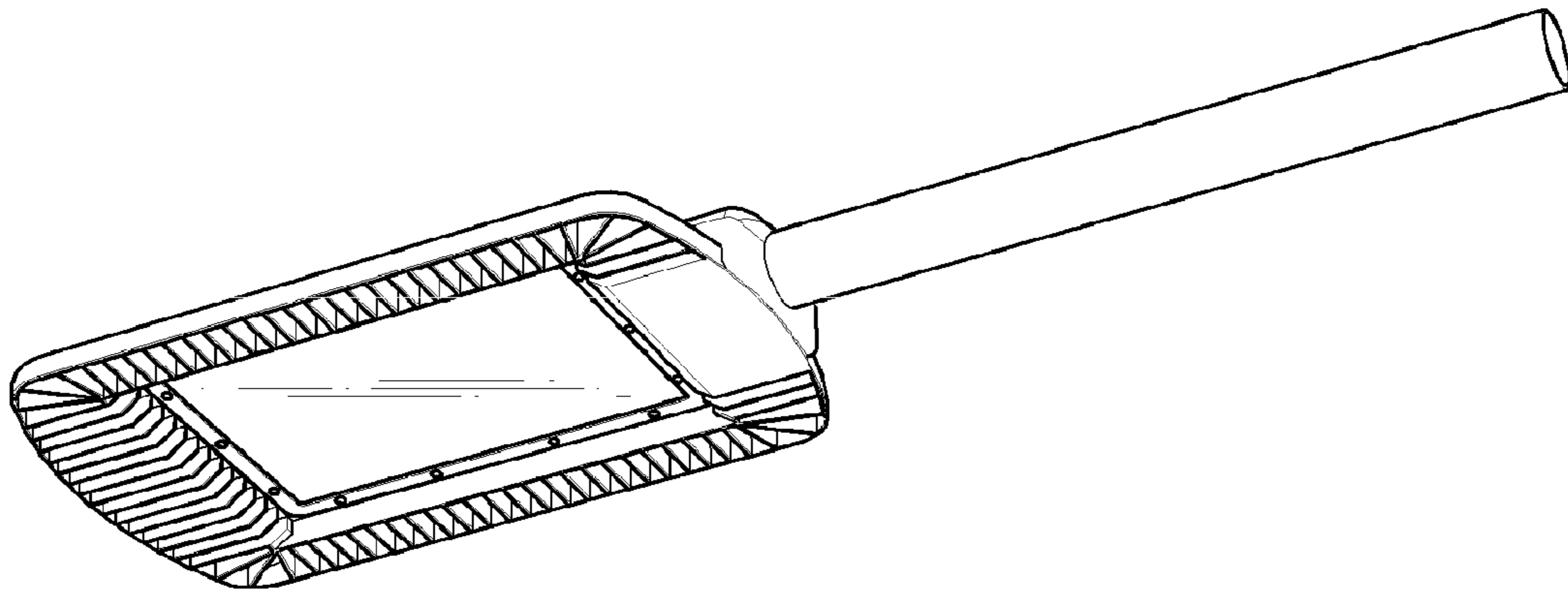


FIG. 2

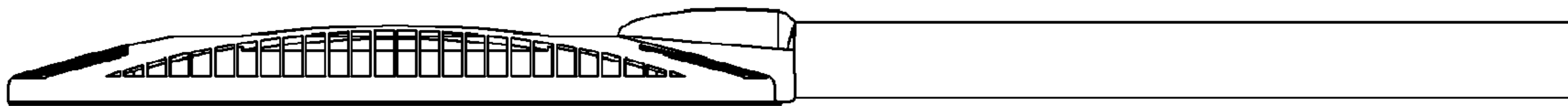


FIG. 3

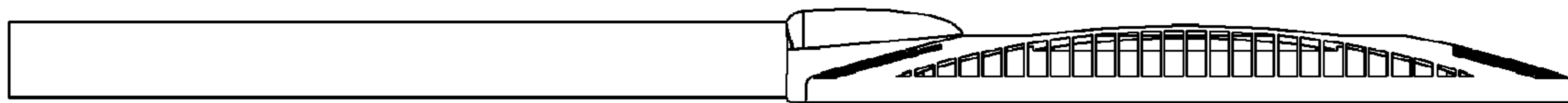


FIG. 4

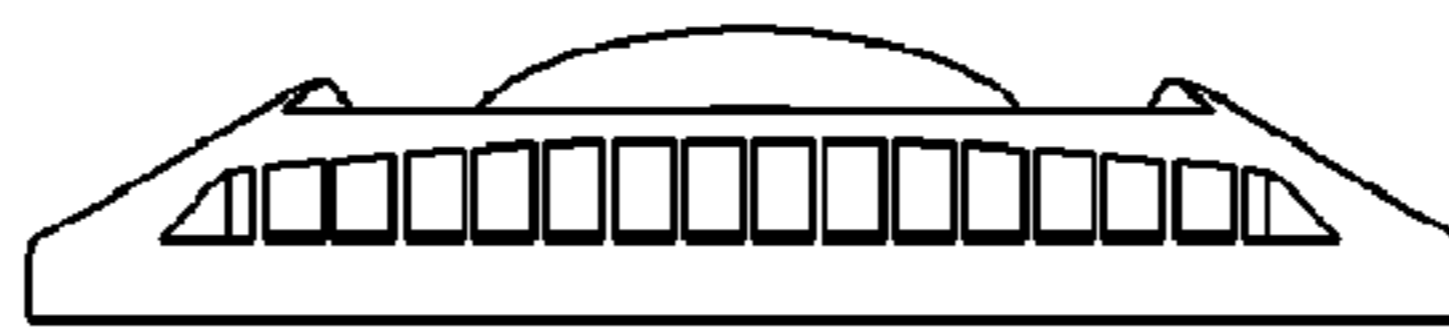


FIG. 5



FIG. 6

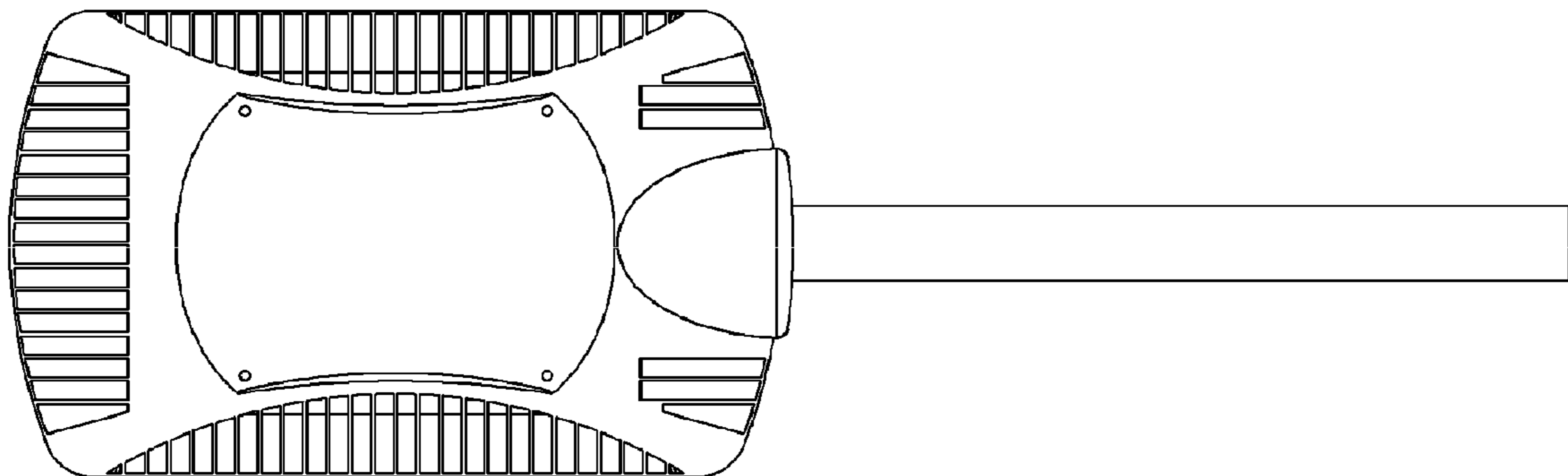


FIG. 7

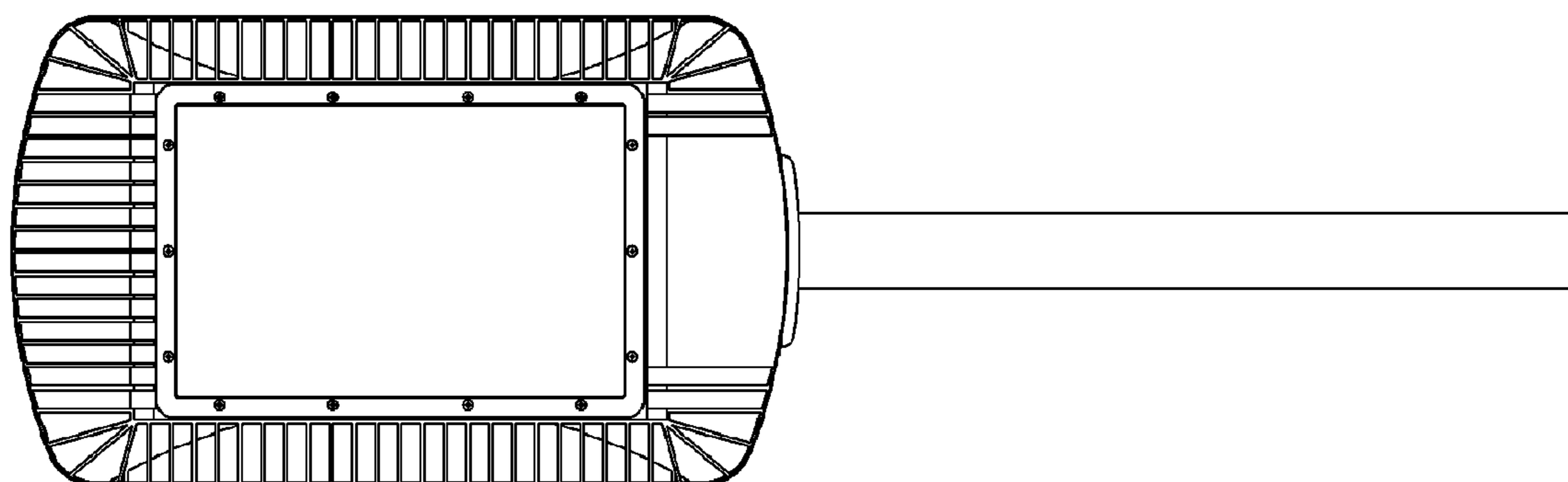


FIG. 8

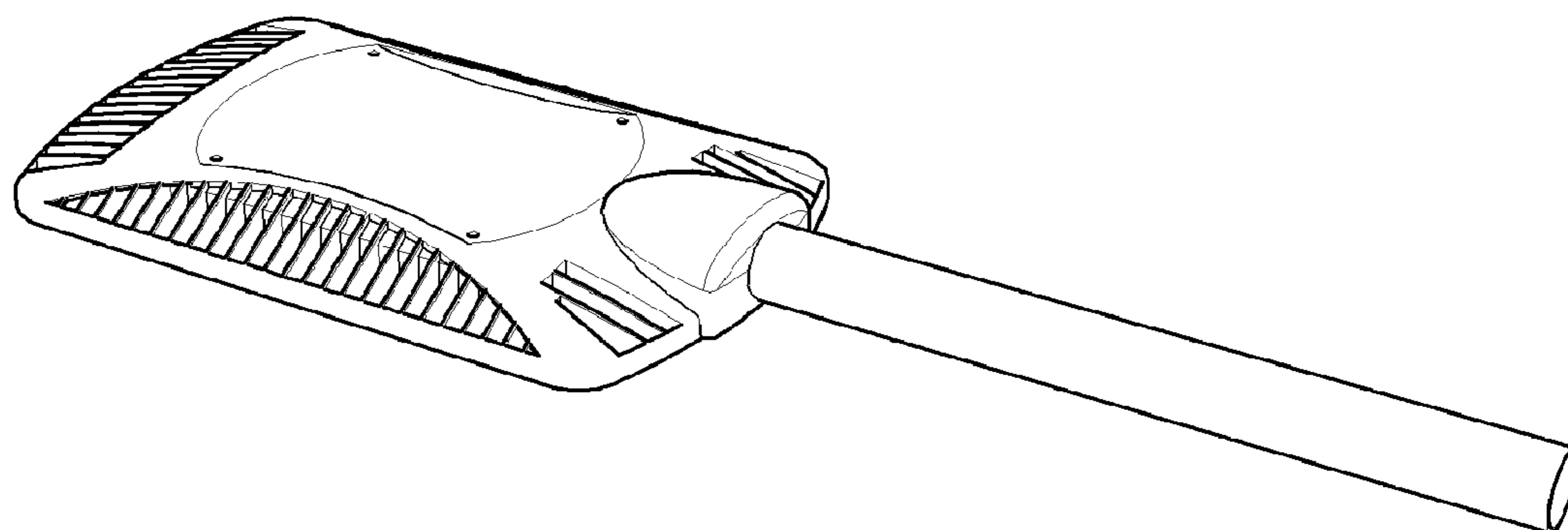


FIG. 9

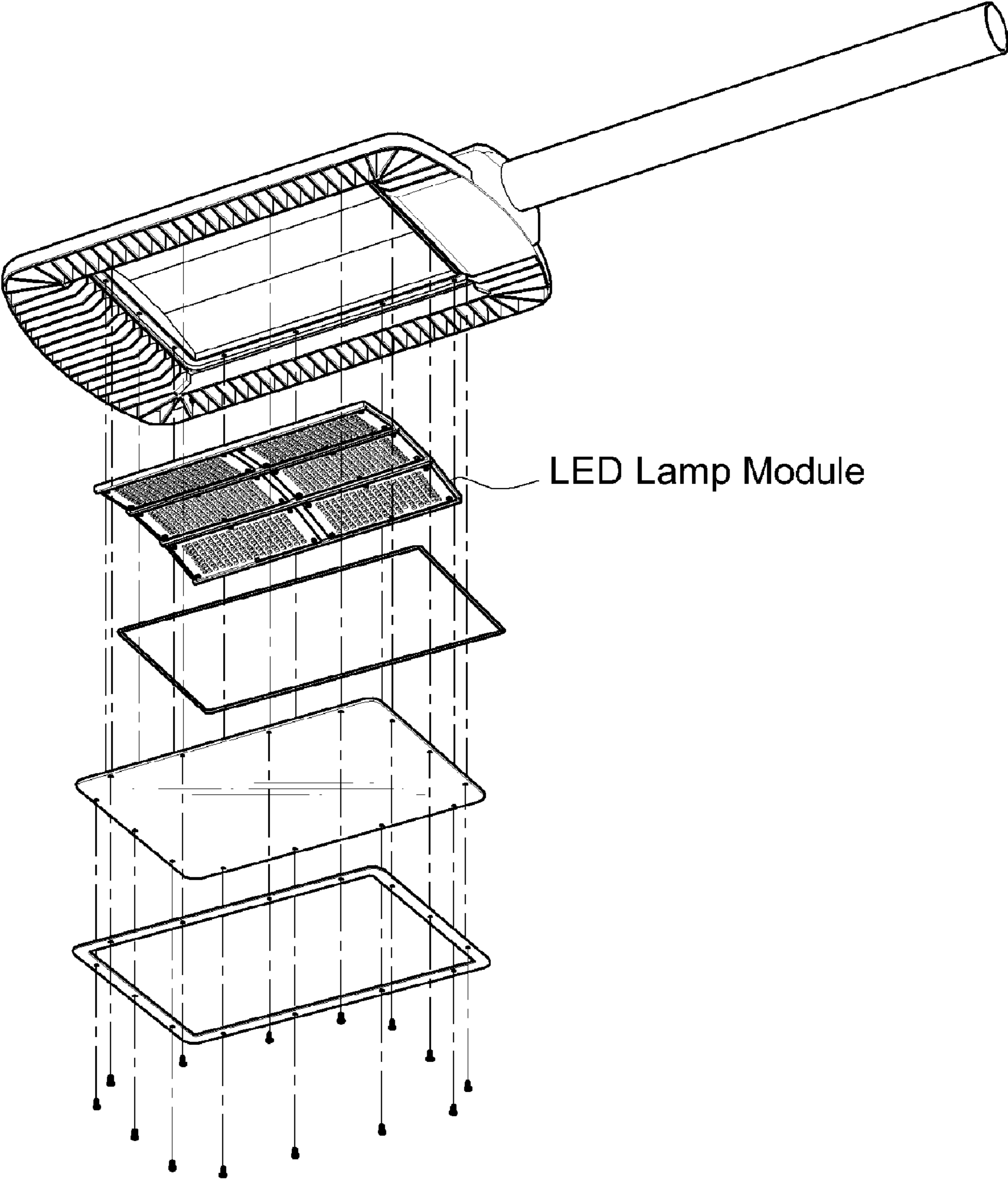


FIG. 10

