



US00D607590S

(12) **United States Design Patent**  
**Weil**

(10) **Patent No.:** **US D607,590 S**  
(45) **Date of Patent:** **\*\* Jan. 5, 2010**

(54) **TAILLIGHT FOR A VEHICLE**

(74) *Attorney, Agent, or Firm*—Crowell & Moring LLP

(75) Inventor: **Christopher Weil**, Munich (DE)

(57) **CLAIM**

(73) Assignee: **Bayerische Motoren Werke Aktiengesellschaft**, Munich (DE)

The ornamental design for a taillight for a vehicle, as shown and described.

(\*\*) Term: **14 Years**

**DESCRIPTION**

(21) Appl. No.: **29/334,470**

This application contains subject matter related to the following co-pending U.S. patent applications: U.S. patent application Ser. No. 29/309,352, filed Jul. 29, 2008; and U.S. patent application Ser. No. 29/311,176, filed Jan. 9, 2009.

(22) Filed: **Mar. 27, 2009**

(30) **Foreign Application Priority Data**

Sep. 30, 2008 (DE) ..... 402008004781

FIG. 1 is a left perspective view of a first embodiment of a taillight for a vehicle according to my novel design;

(51) **LOC (9) Cl.** ..... **26-06**

FIG. 2 is a right perspective view thereof;

(52) **U.S. Cl.** ..... **D26/28**

FIG. 3 is a front view thereof;

(58) **Field of Classification Search** ..... D26/28-36;  
362/459-468, 475-478, 485-487  
See application file for complete search history.

FIG. 4 is a top view thereof;

FIG. 5 is a bottom view thereof; and

FIG. 6 is a left side view thereof.

(56) **References Cited**

FIG. 7 is a right perspective view of a second embodiment of the taillight for a vehicle according to my novel design;

**U.S. PATENT DOCUMENTS**

FIG. 8 is a left perspective view thereof;

D553,268 S \* 10/2007 Pfeiffer ..... D26/28

FIG. 9 is a front view thereof;

D553,269 S \* 10/2007 Pfeiffer et al. .... D26/28

FIG. 10 is a top view thereof;

D561,357 S \* 2/2008 Leclercq ..... D26/28

FIG. 11 is a bottom view thereof; and,

D574,524 S \* 8/2008 Tomatsu ..... D26/28

FIG. 12 is a right side view thereof.

**FOREIGN PATENT DOCUMENTS**

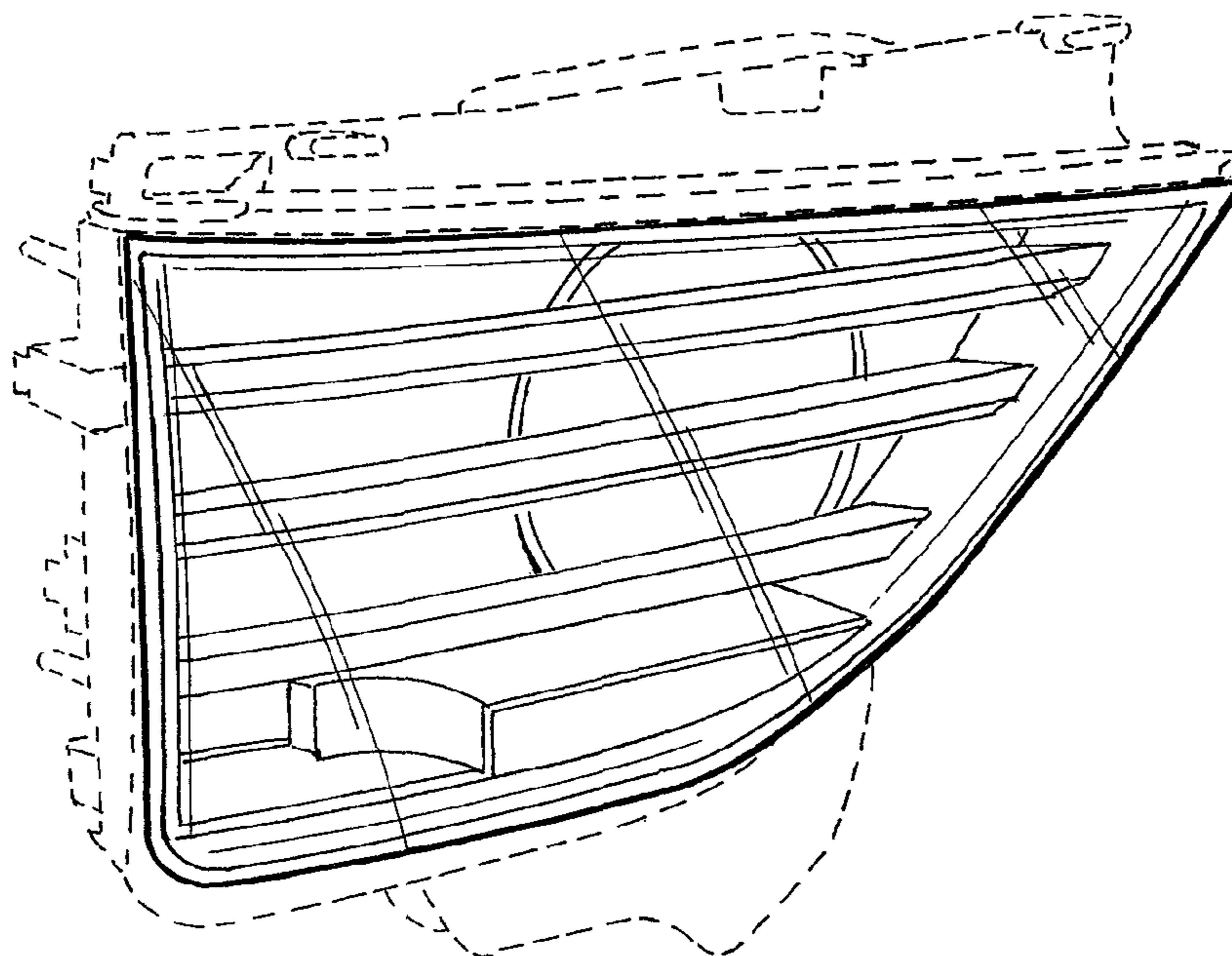
WO DM/069222 2/2008

The broken lines are for illustrative purposes only and form no part of the claimed design.

\* cited by examiner

*Primary Examiner*—Marcus A Jackson

**1 Claim, 6 Drawing Sheets**



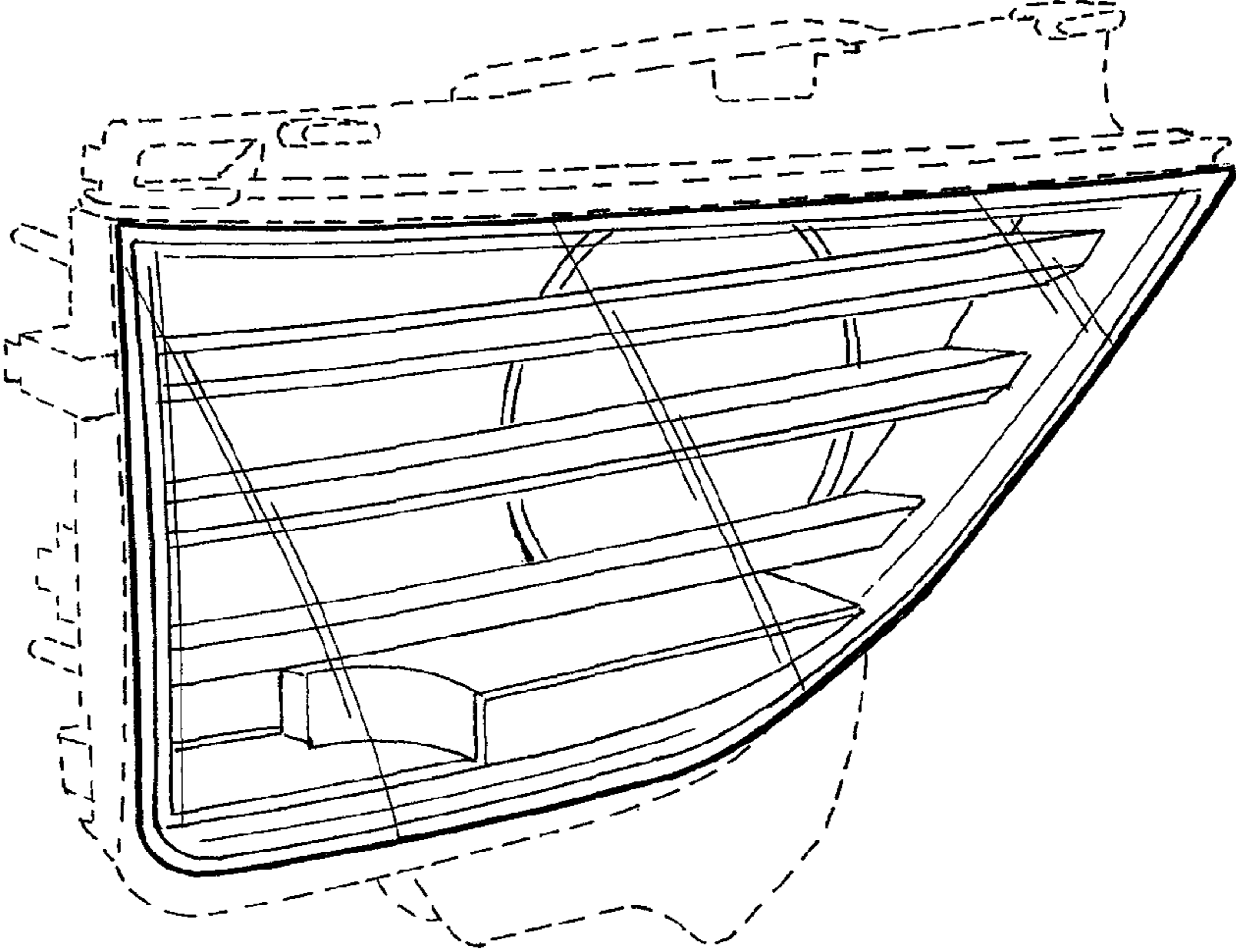


FIG . 1

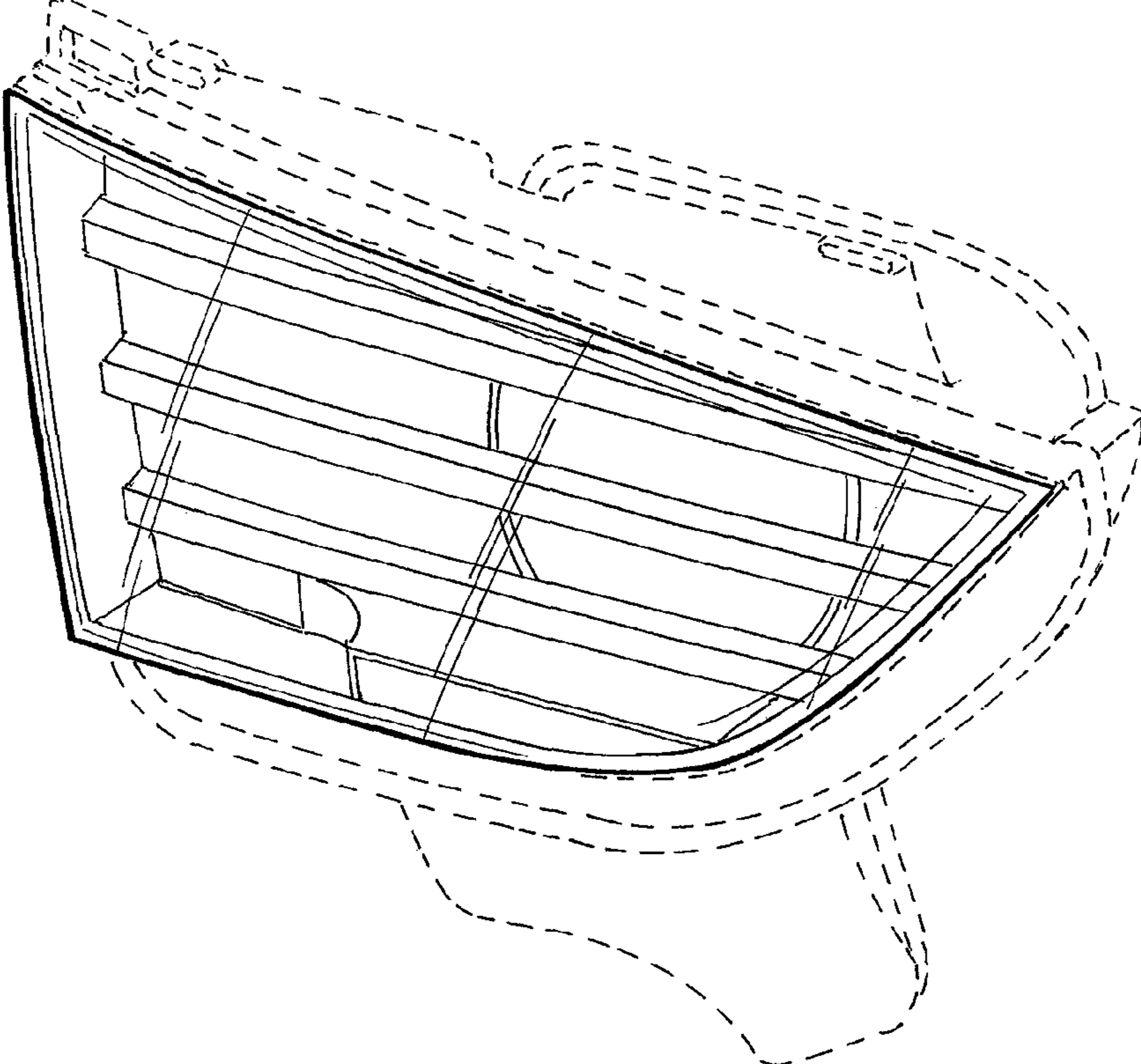


FIG . 2

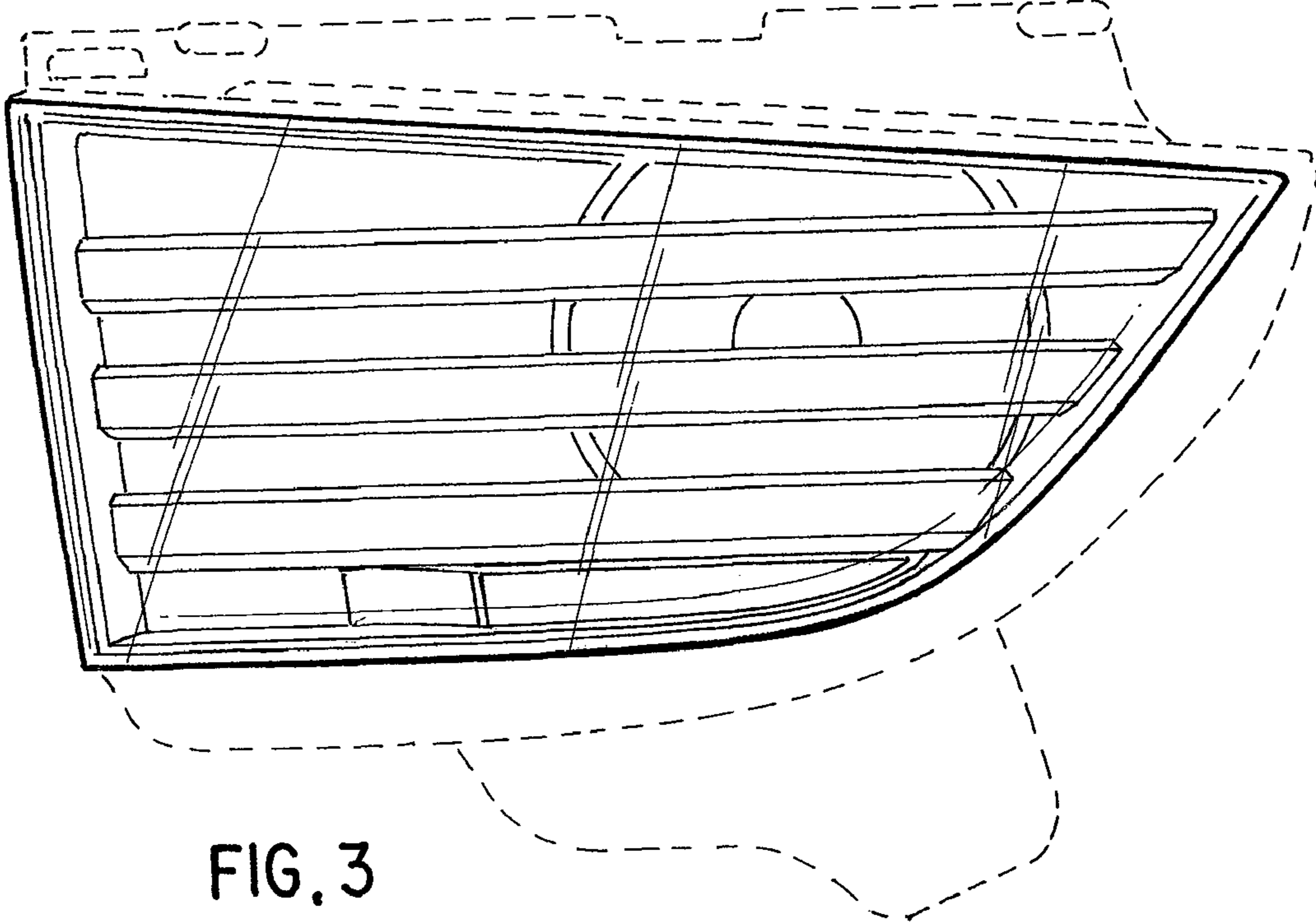


FIG. 3

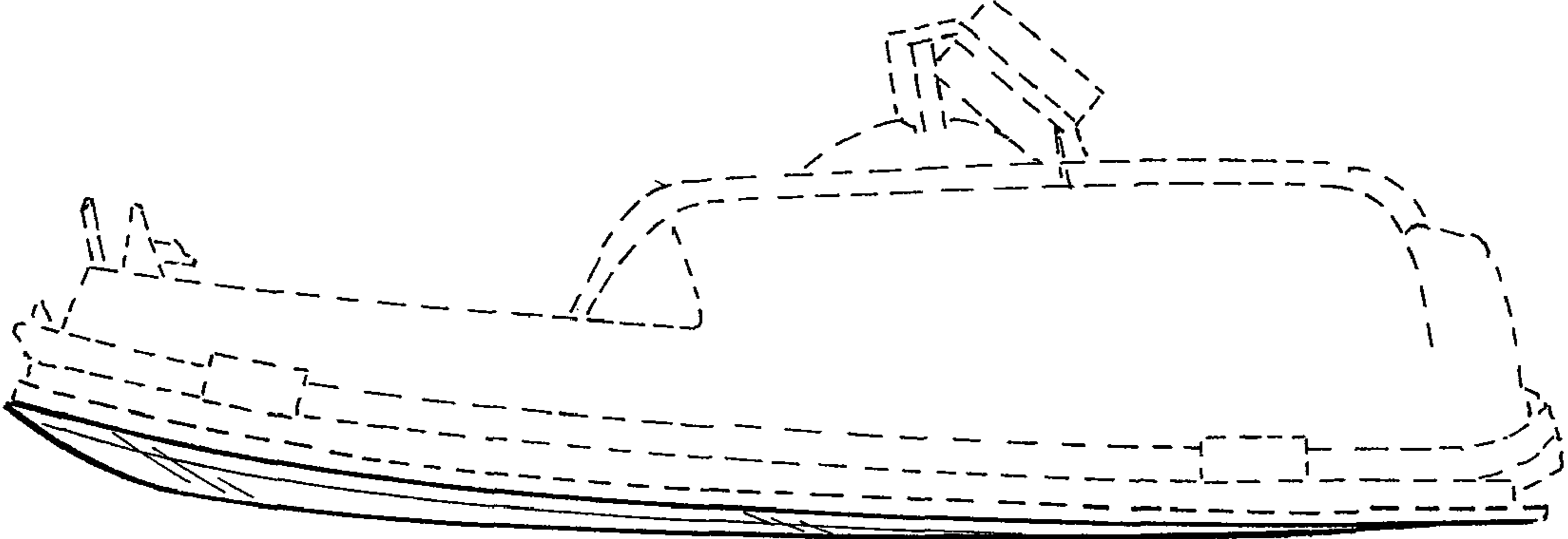


FIG. 4

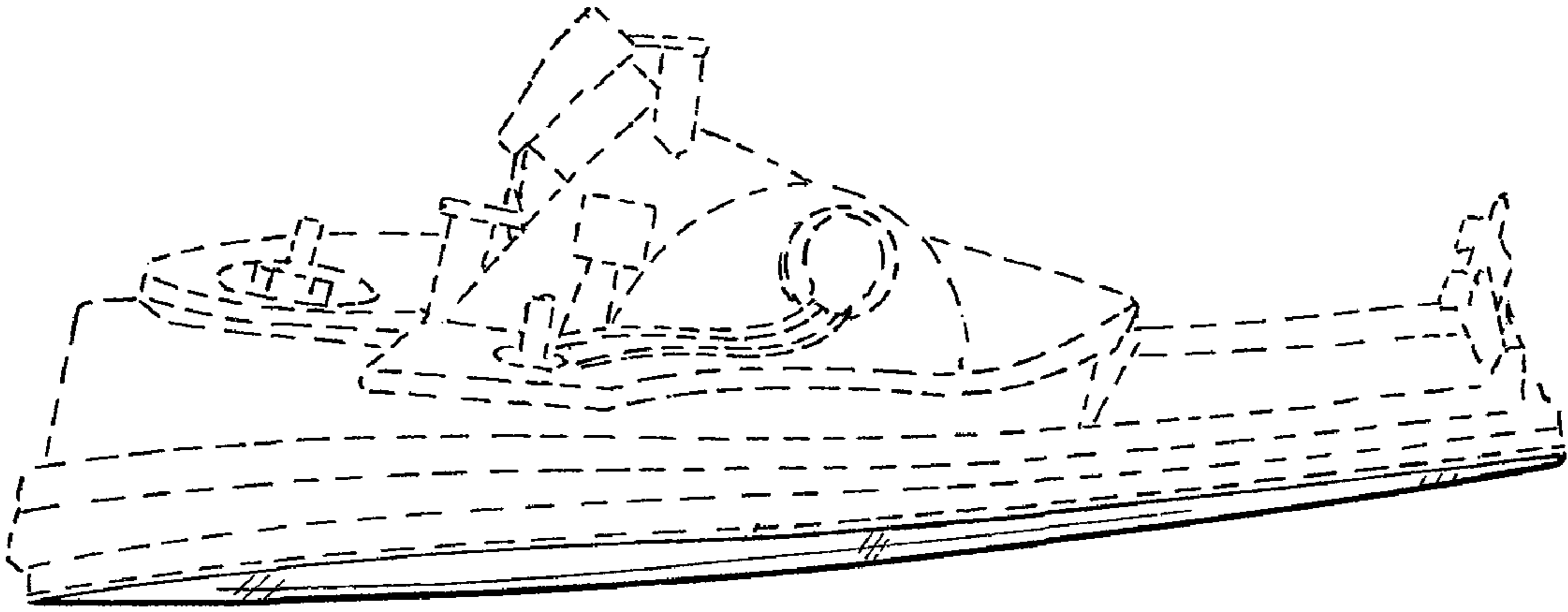


FIG. 5

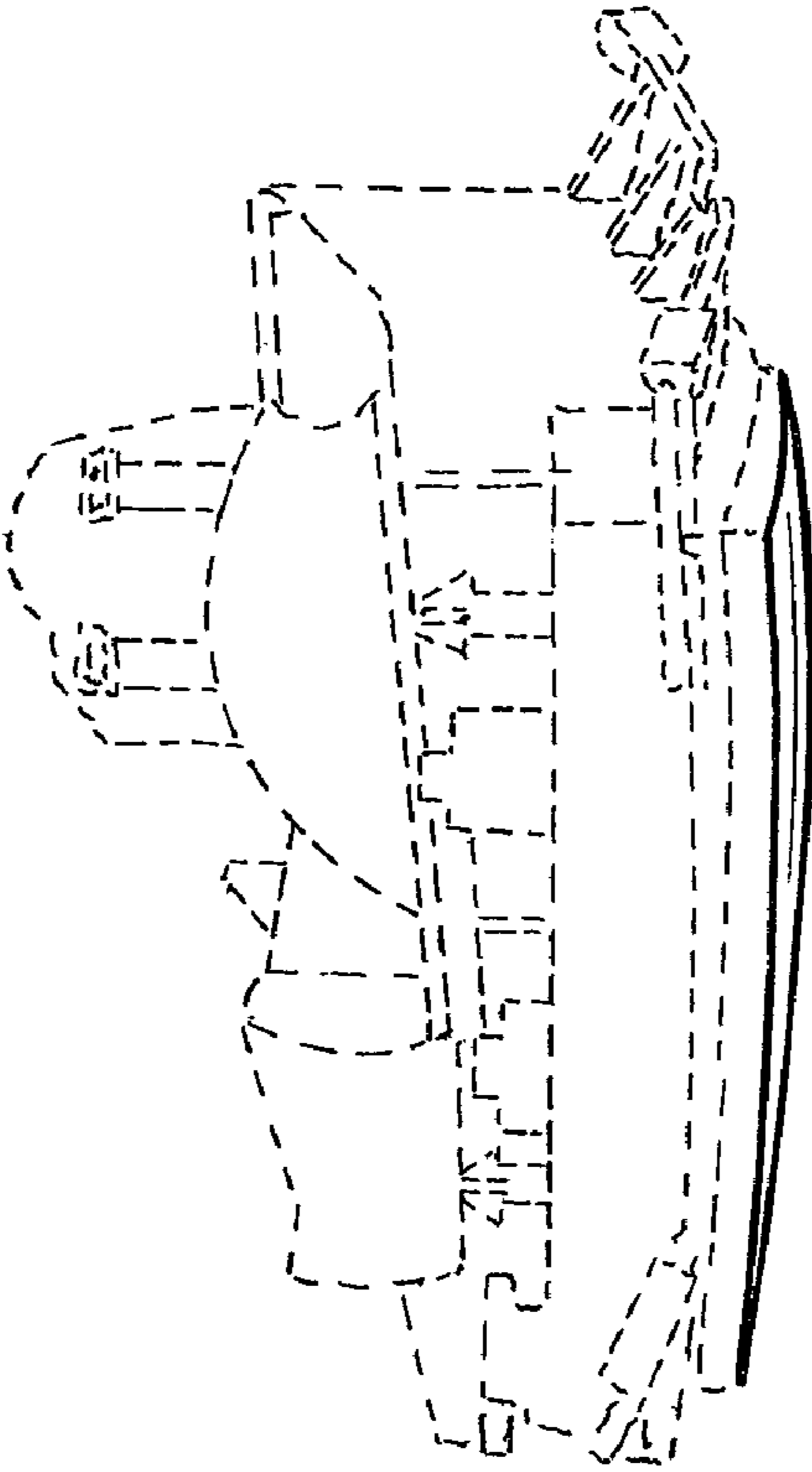


FIG. 6

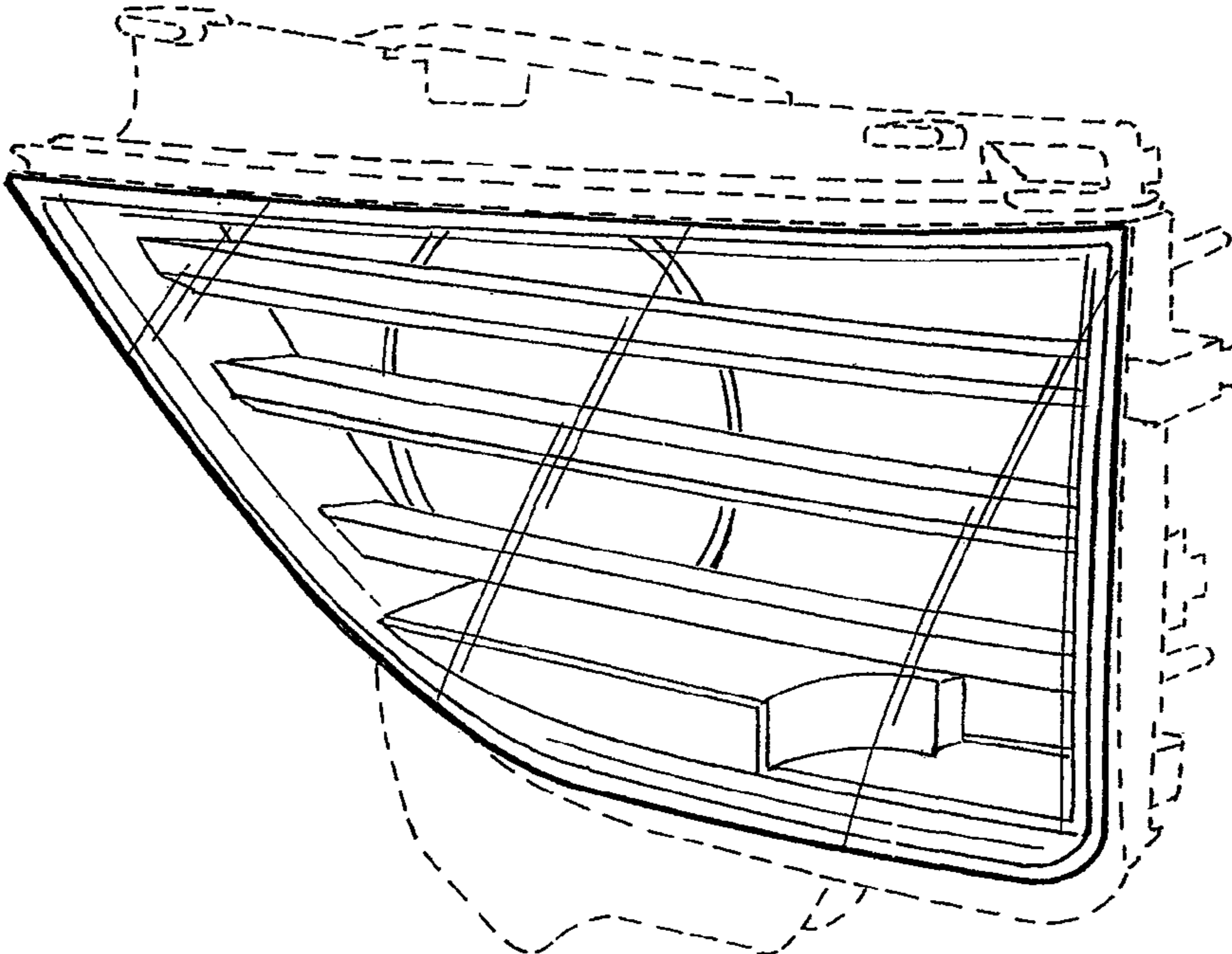


FIG. 7

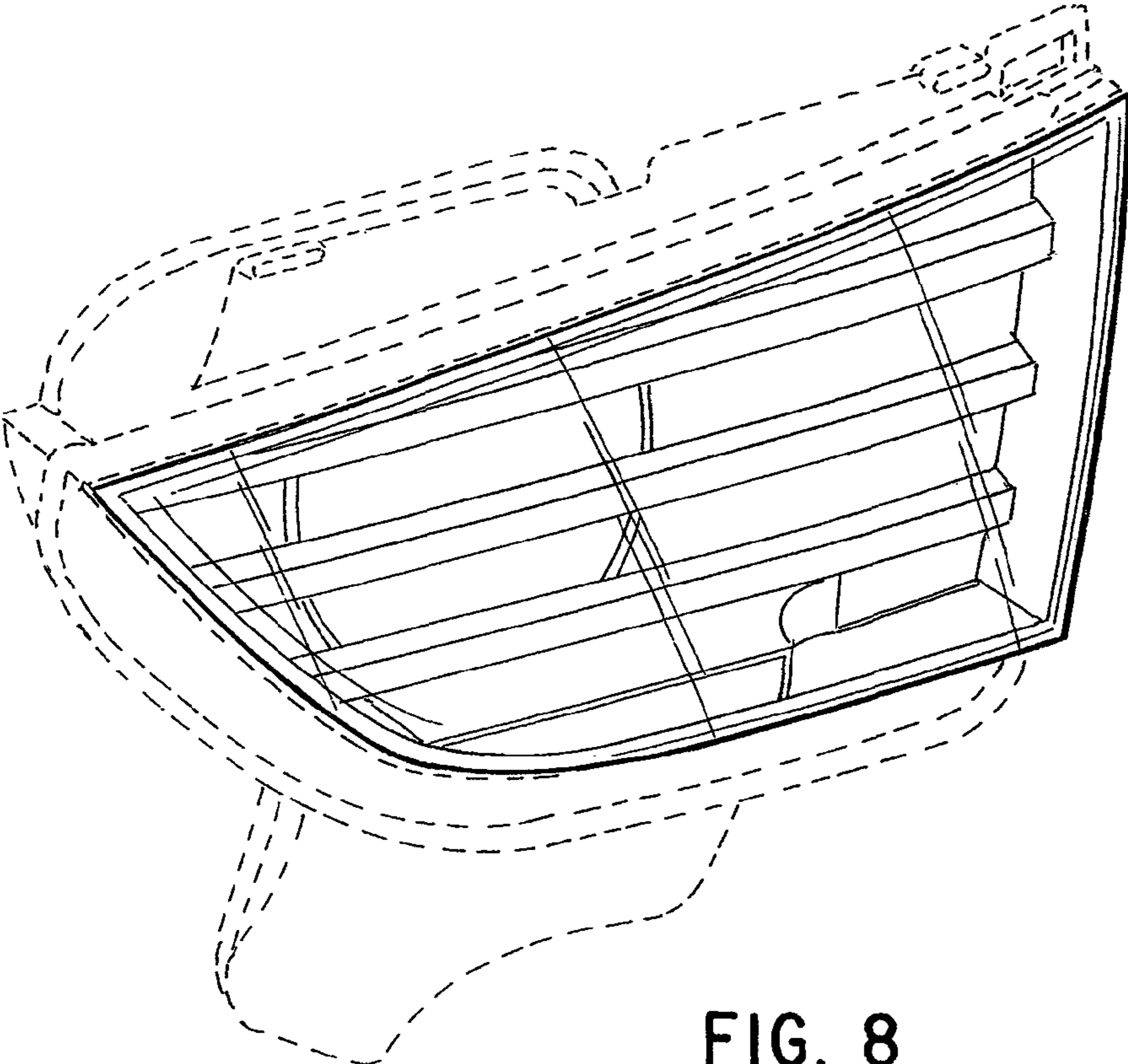


FIG. 8

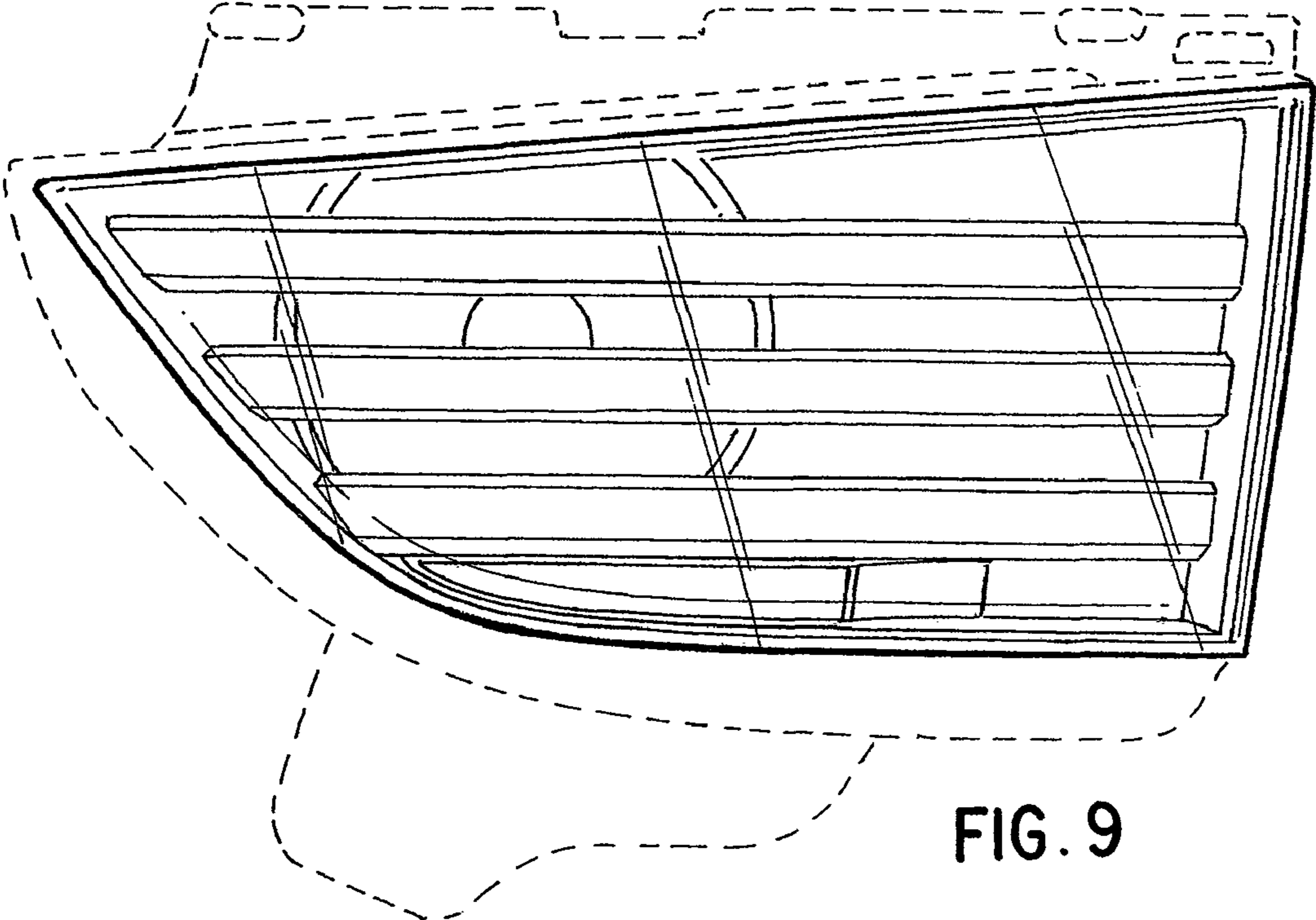


FIG. 9

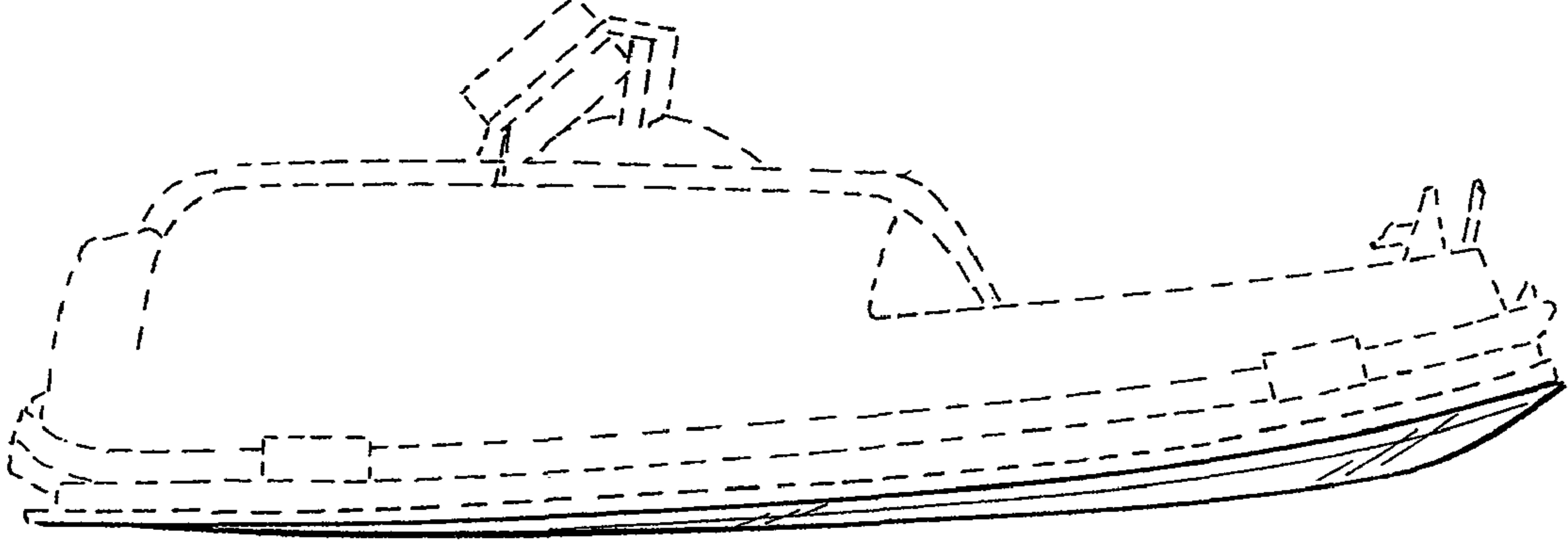


FIG. 10

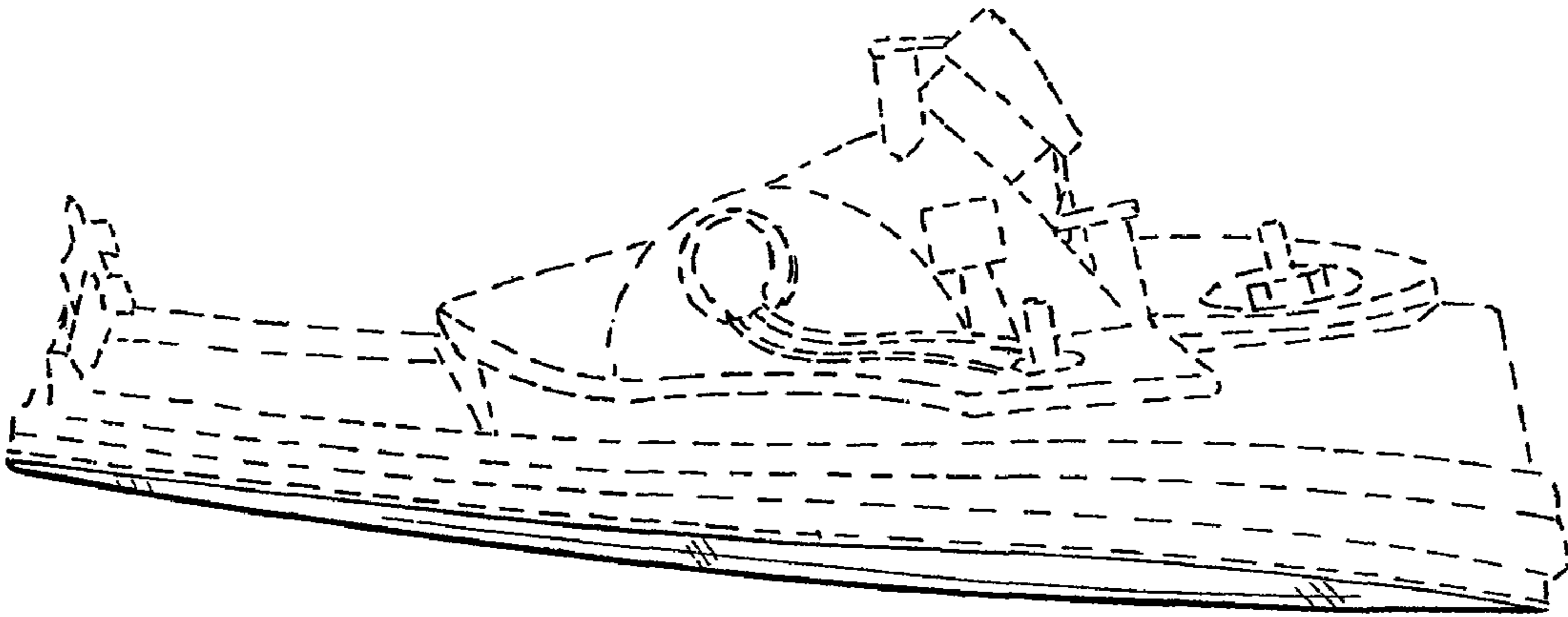


FIG. 11

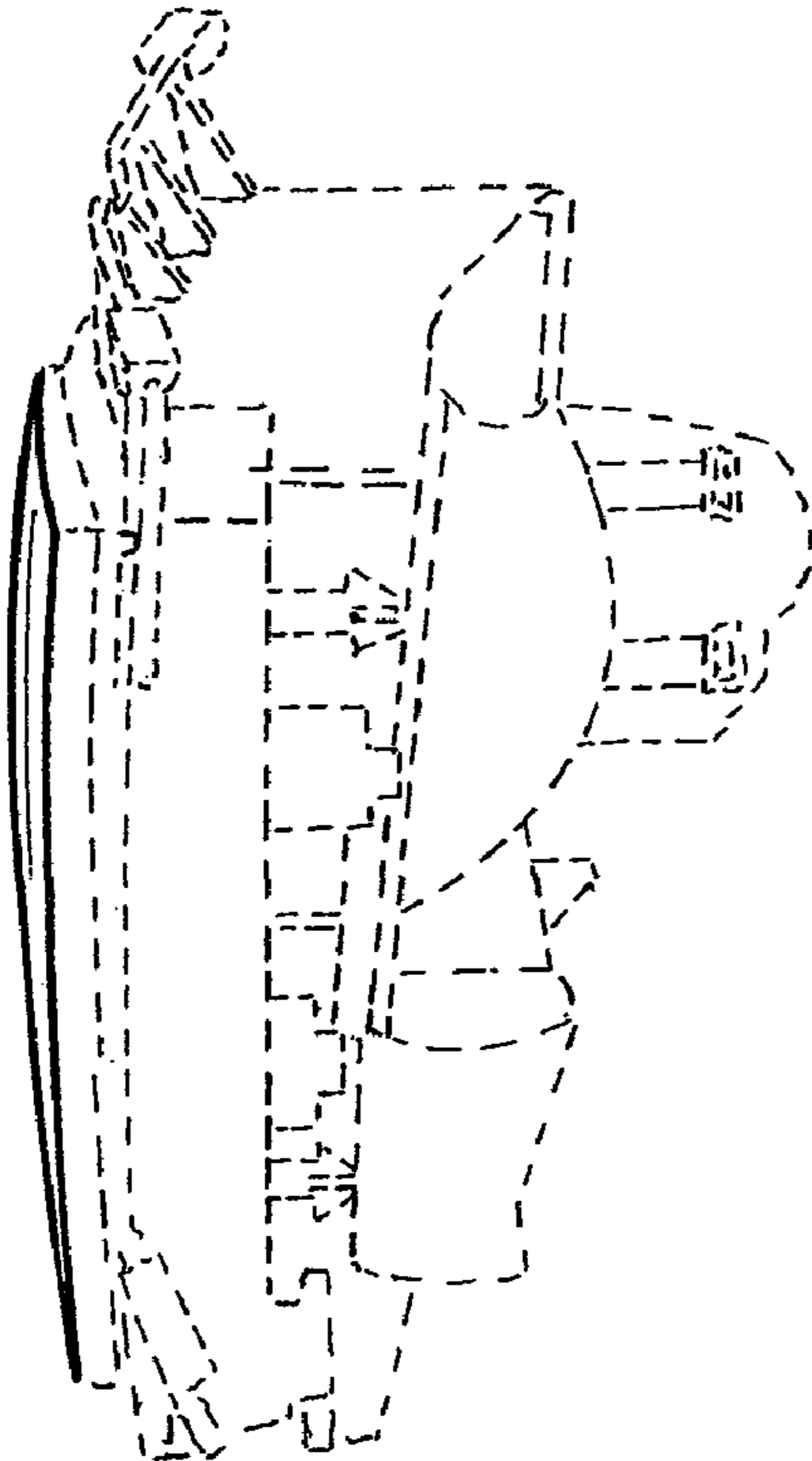


FIG. 12