



US00D607586S

(12) **United States Design Patent**  
**Ko**

(10) **Patent No.:** **US D607,586 S**

(45) **Date of Patent:** **\*\* Jan. 5, 2010**

(54) **LED LAMP**

(75) **Inventor:** **In-Hong Ko**, Seoul (KR)

(73) **Assignee:** **WOOKANG Tech Co., Ltd**,  
Bupyeong-Gu, Incheon-Si (KR)

(\*\*) **Term:** **14 Years**

(21) **Appl. No.:** **29/311,690**

(22) **Filed:** **May 26, 2009**

(30) **Foreign Application Priority Data**

Feb. 24, 2009 (KR) ..... 30-2009-0007824

(51) **LOC (9) Cl.** ..... **26-04**

(52) **U.S. Cl.** ..... **D26/2**

(58) **Field of Classification Search** ..... D26/1-4;  
313/313, 315, 317, 318, 493; 315/52, 53,  
315/56, 57, 58

See application file for complete search history.

(56) **References Cited**

**U.S. PATENT DOCUMENTS**

D542,943 S \* 5/2007 Wang ..... D26/2

D545,457 S \* 6/2007 Chen ..... D26/2

D546,980 S \* 7/2007 Lo ..... D26/2

D549,854 S \* 8/2007 Takahashi ..... D26/2

D566,300 S \* 4/2008 Lo ..... D26/2

D582,578 S \* 12/2008 Tsai et al. .... D26/2

\* cited by examiner

*Primary Examiner*—Marcus A Jackson  
(74) *Attorney, Agent, or Firm*—G W i P S

(57) **CLAIM**

The ornamental design for a LED lamp, as shown and described.

**DESCRIPTION**

FIG. 1 is a perspective view showing a new design of a LED lamp.

FIG. 2 is a front view thereof.

FIG. 3 is a rear view thereof.

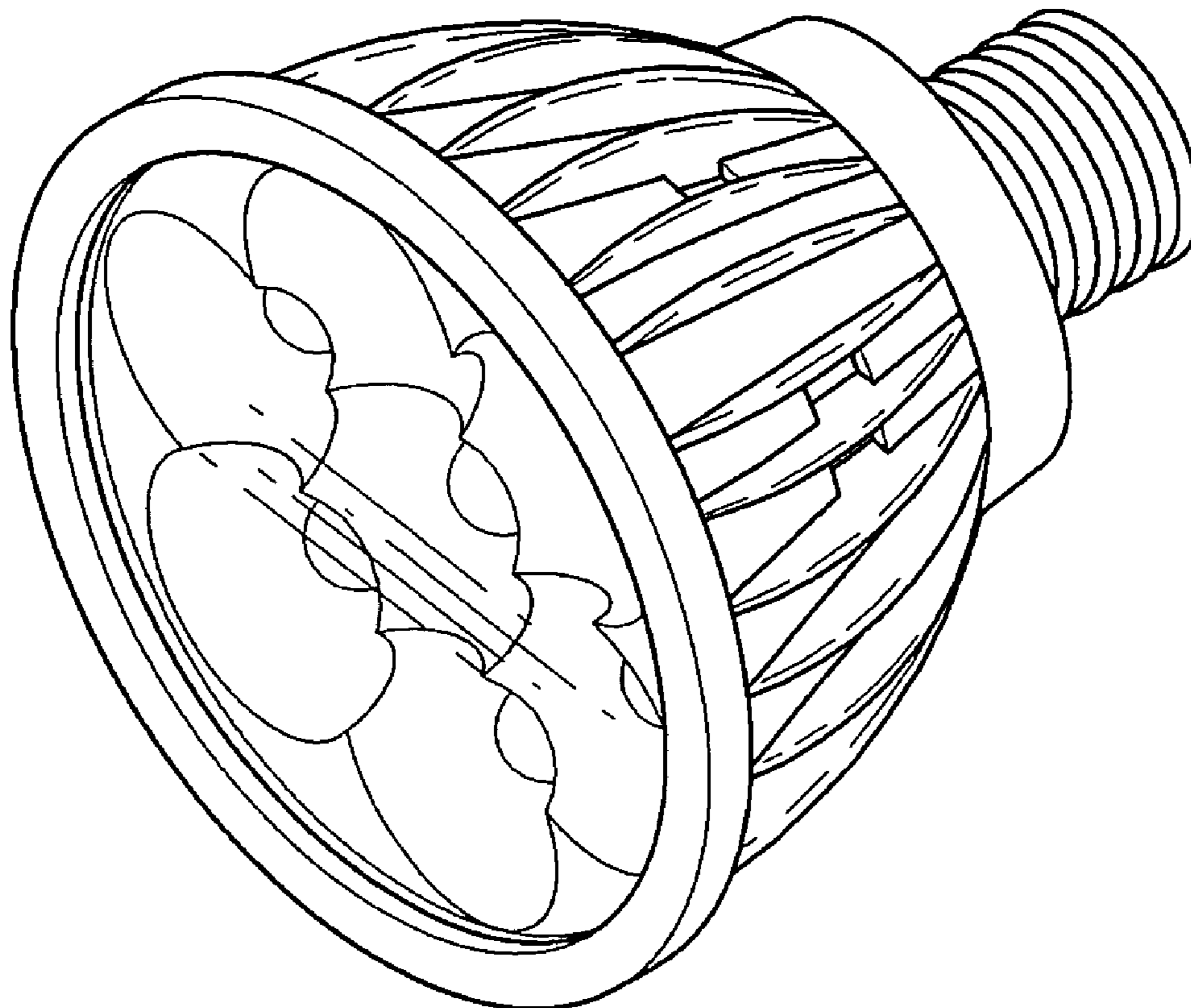
FIG. 4 is a left side view thereof.

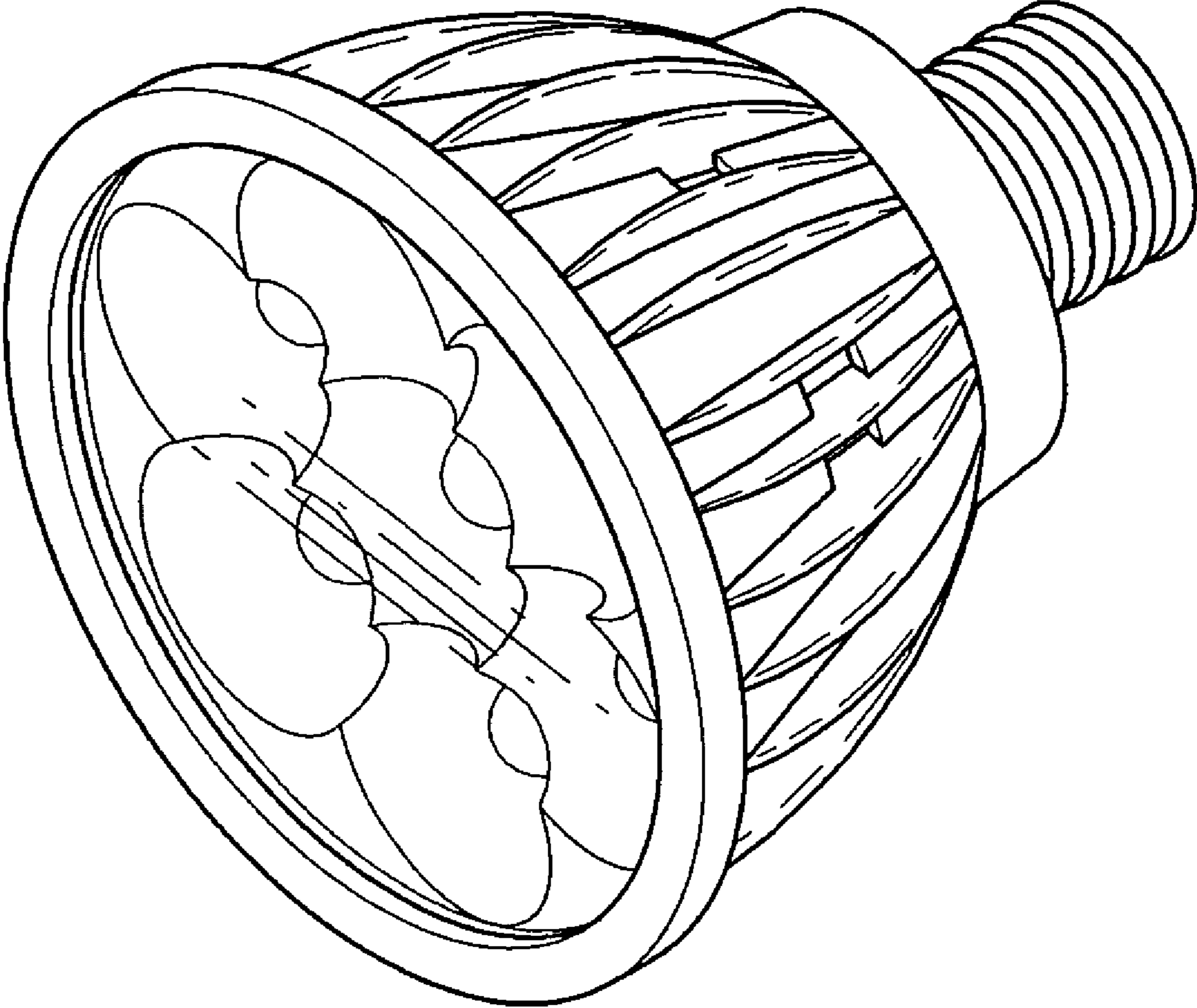
FIG. 5 is a right side view thereof.

FIG. 6 is a plan view thereof; and,

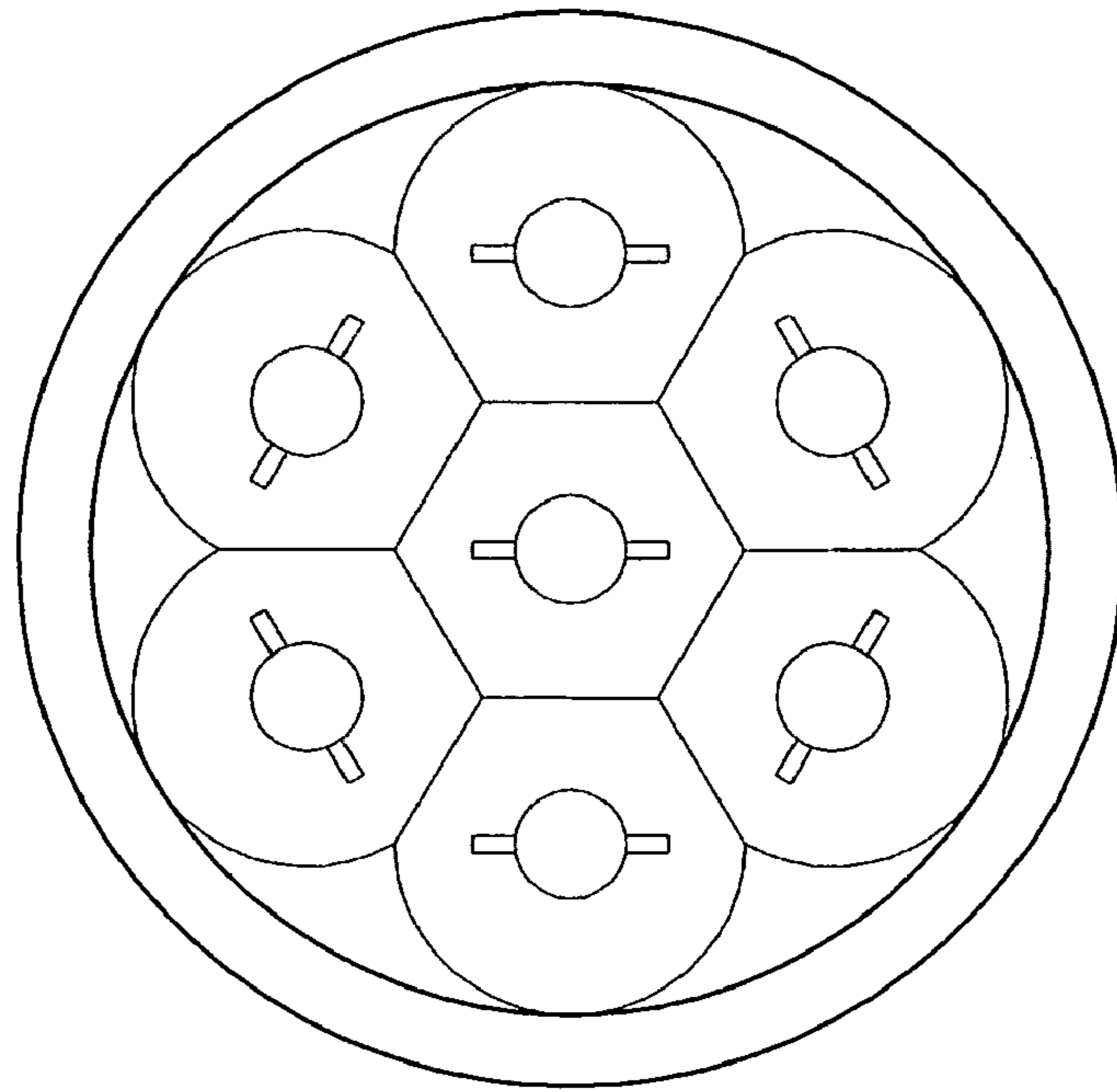
FIG. 7 is a bottom view thereof.

**1 Claim, 4 Drawing Sheets**

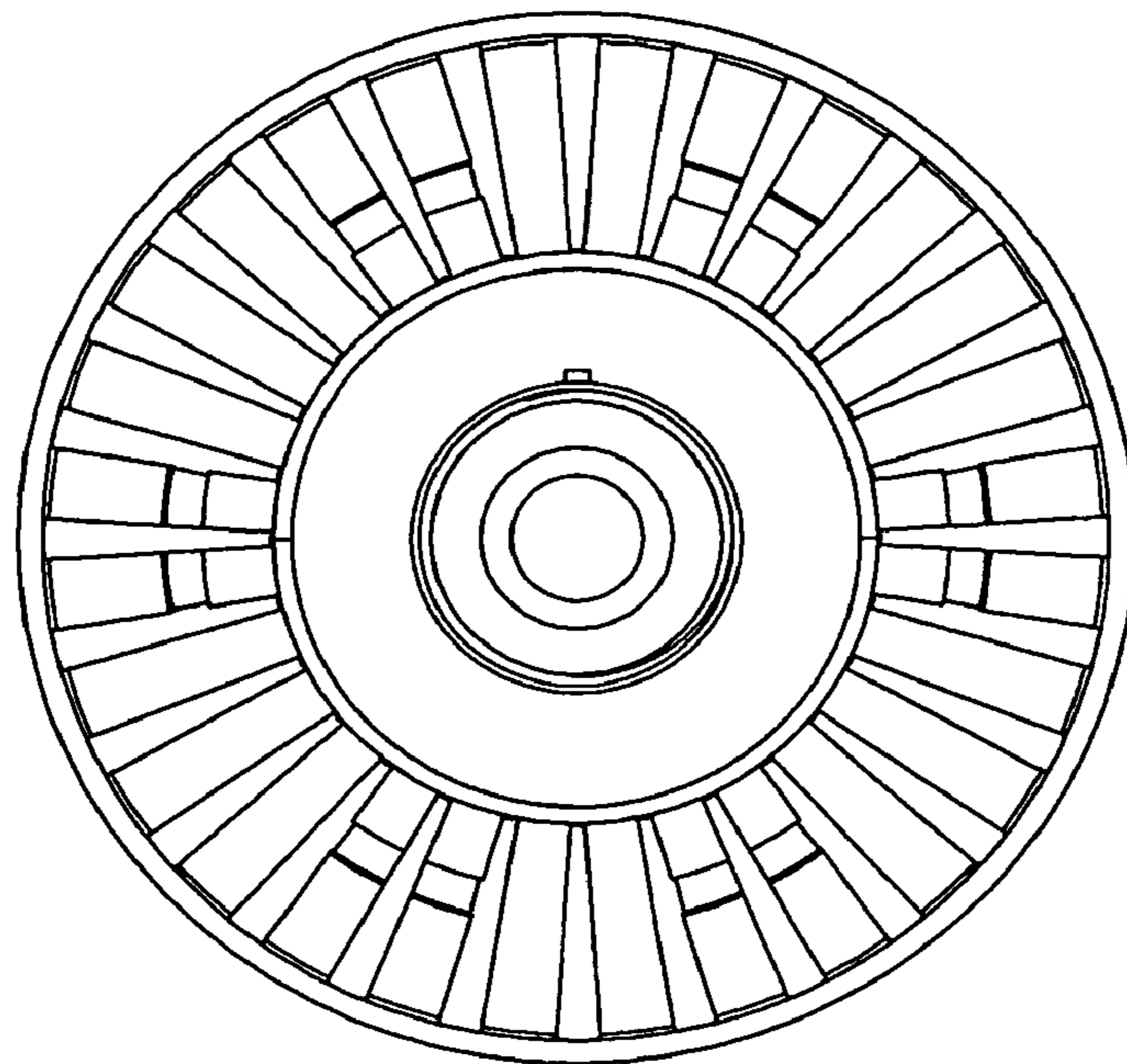




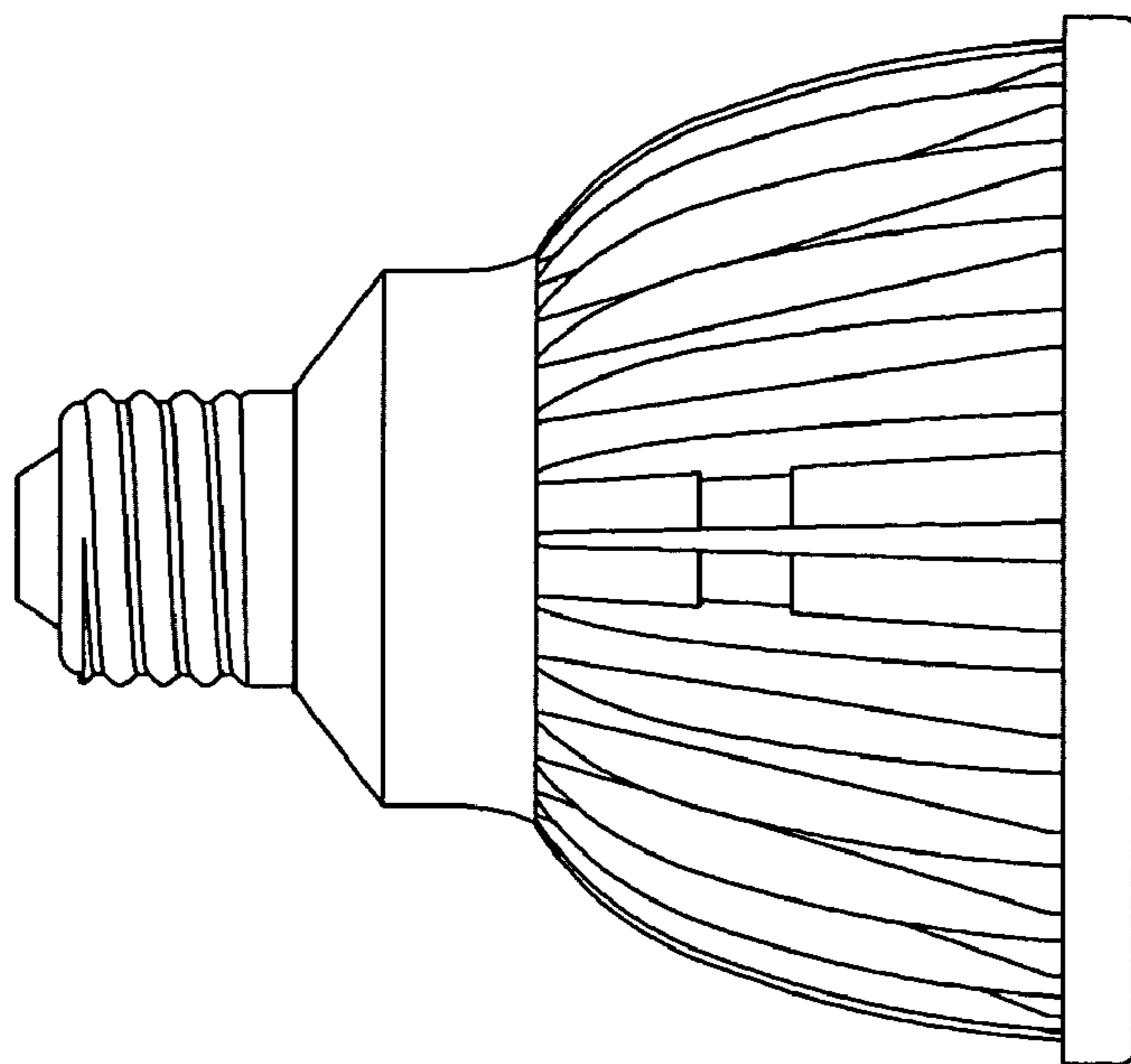
**Fig. 1**



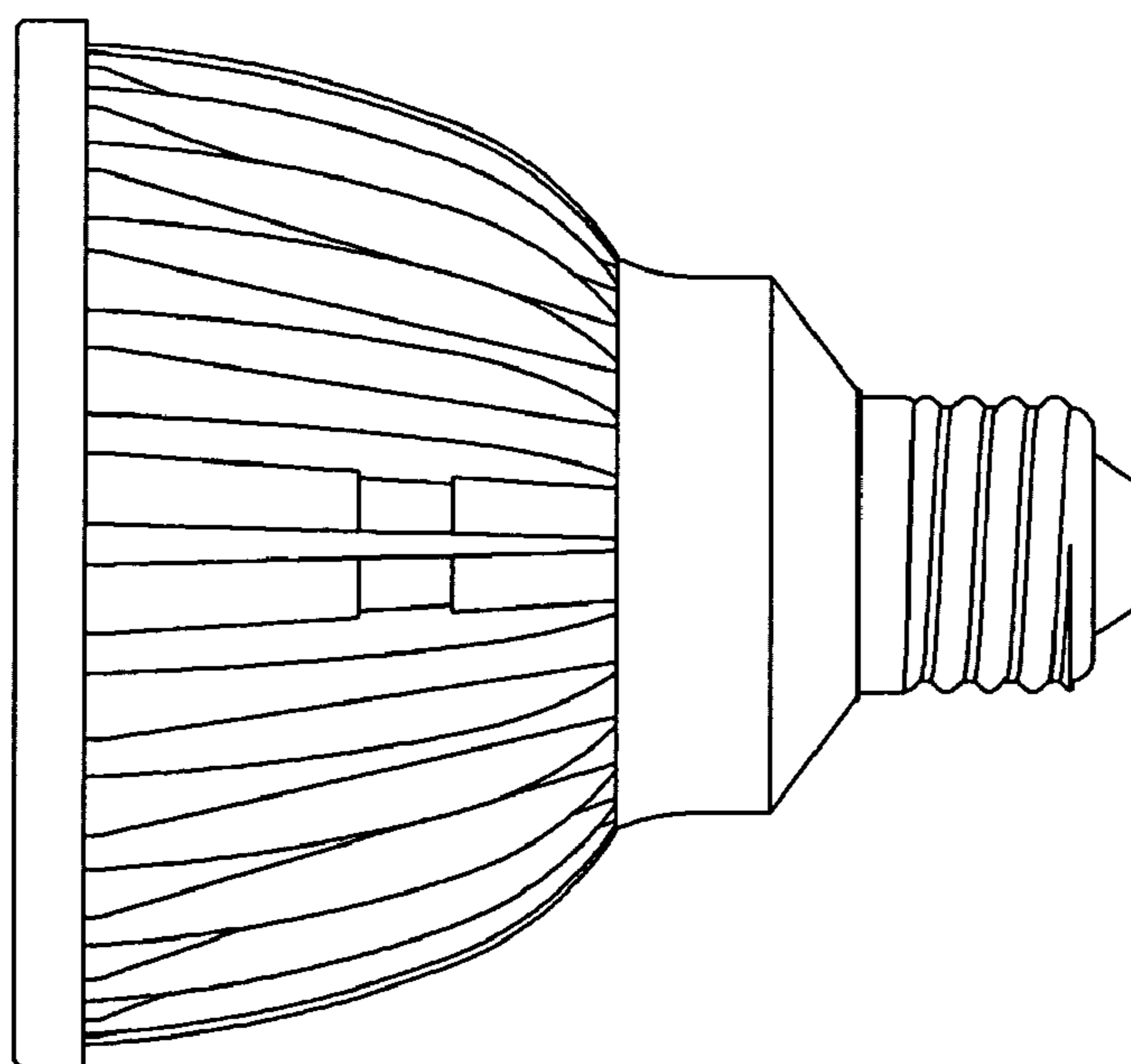
**Fig. 2**



**Fig. 3**



**Fig. 4**



**Fig. 5**

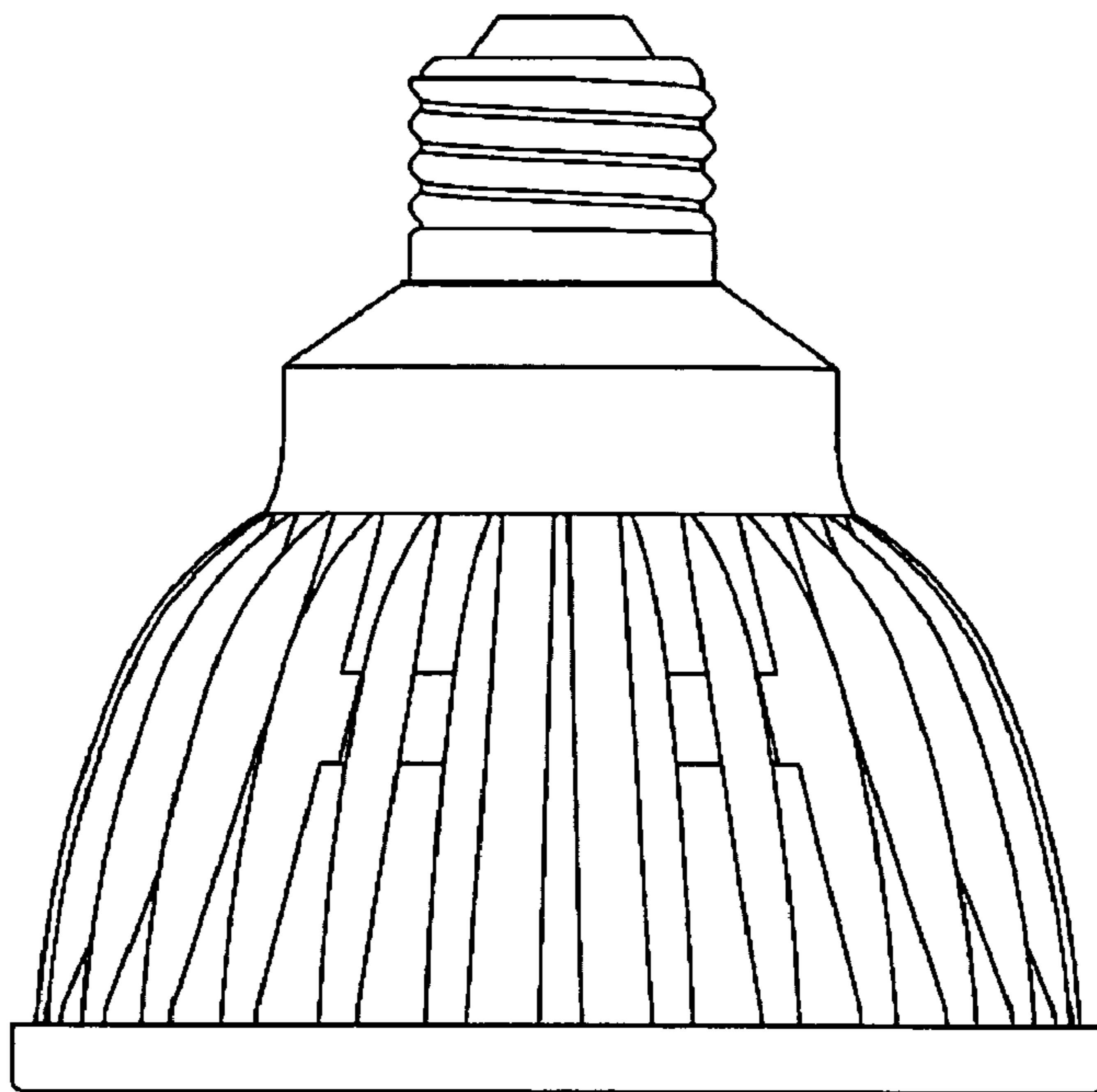


Fig. 6

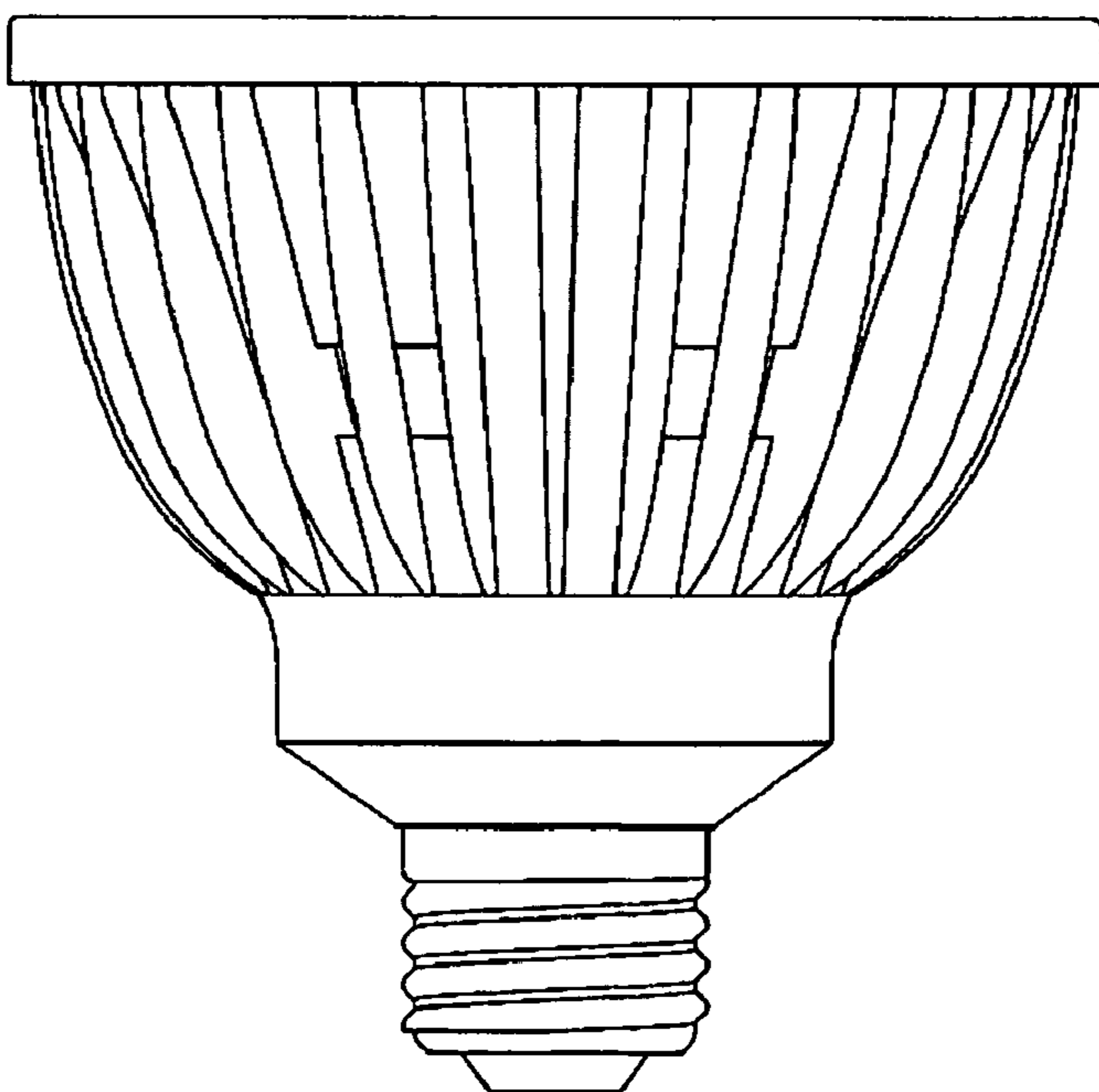


Fig. 7