



US00D607580S

(12) **United States Design Patent**
Charette

(10) **Patent No.:** **US D607,580 S**
(45) **Date of Patent:** **** Jan. 5, 2010**

(54) **STAIR SUPPORT**

(76) **Inventor:** **Pierre Charette**, 4521 rue des Carouges,
Notre-Dame-du-Mont-Carmel, Quebec
(CA) G0X 3J0

(**) **Term:** **14 Years**

(21) **Appl. No.:** **29/309,661**

(22) **Filed:** **Sep. 24, 2008**

Related U.S. Application Data

(63) Continuation-in-part of application No. 29/280,891,
filed on Jun. 8, 2007, now abandoned.

(30) **Foreign Application Priority Data**

Jan. 23, 2007 (CA) 119137

(51) **LOC (9) Cl.** **25-04**

(52) **U.S. Cl.** **D25/62**

(58) **Field of Classification Search** D25/67,
D25/68, 69, 62; 52/191, 192, 183, 182; 33/421,
33/428; 248/188.1, 188.2

See application file for complete search history.

(56) **References Cited**

U.S. PATENT DOCUMENTS

3,331,579 A * 7/1967 Petersen 249/14

D305,567 S *	1/1990	Scott	D25/67
D312,314 S *	11/1990	Harris	D25/62
5,806,254 A *	9/1998	Bennett	52/182
D405,542 S *	2/1999	Holdcroft	D25/62
5,941,030 A *	8/1999	Williamson	52/182
6,574,923 B1 *	6/2003	Johnsson et al.	52/8
6,758,016 B2 *	7/2004	Gobeil	52/191

* cited by examiner

Primary Examiner—Doris Clark

(74) *Attorney, Agent, or Firm*—Hoffman, Wasson & Gitler

(57) **CLAIM**

The ornamental design for a stair support, as shown, and described.

DESCRIPTION

FIG. 1 is a perspective view of the stair support;

FIG. 2 is a top view of the stair support;

FIG. 3 is a bottom view of the stair support;

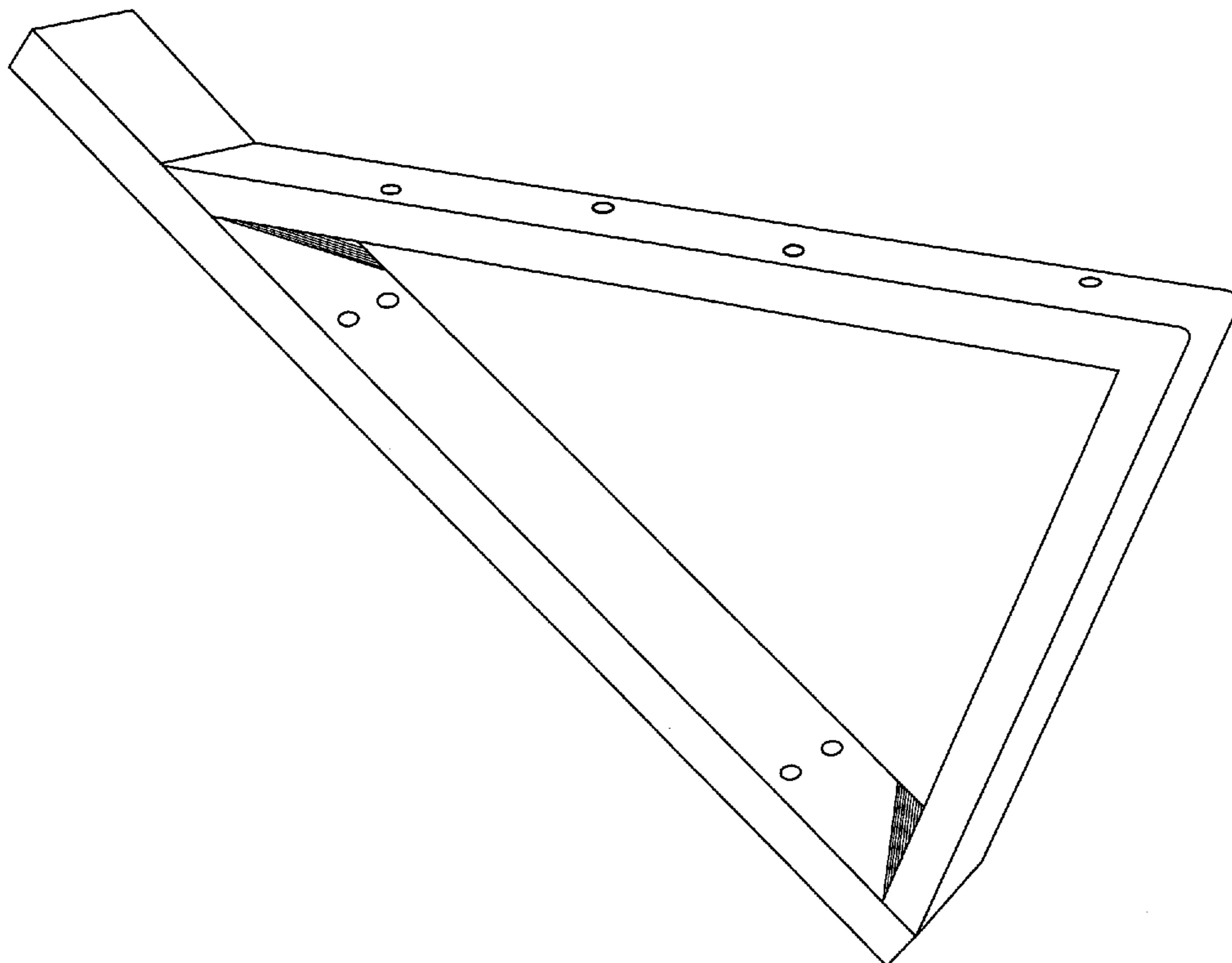
FIG. 4 is a left side view of the stair support;

FIG. 5 is a right side view of the stair support;

FIG. 6 is a front view of the stair support; and,

FIG. 7 is a rear view of the stair support.

1 Claim, 7 Drawing Sheets



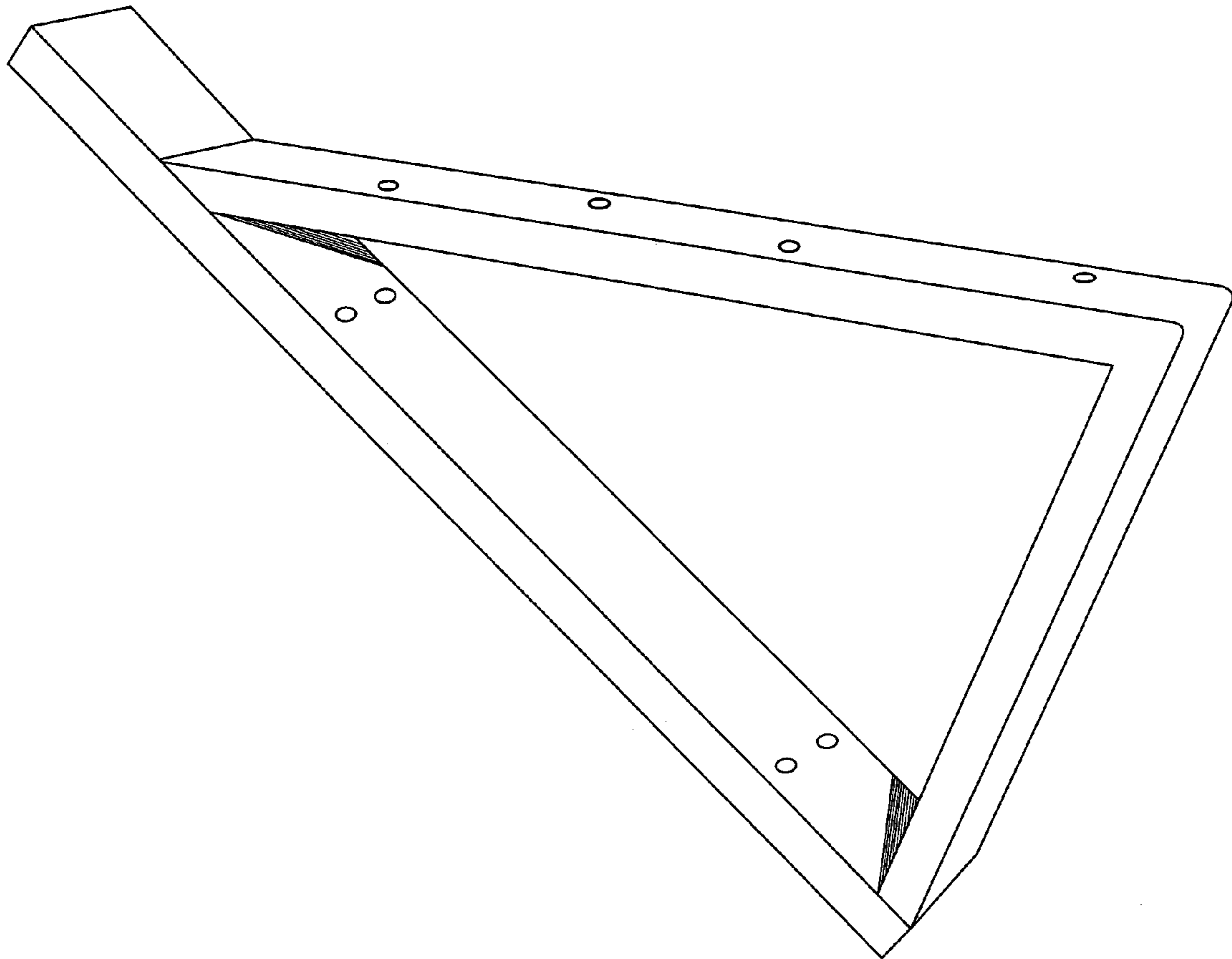


FIGURE 1

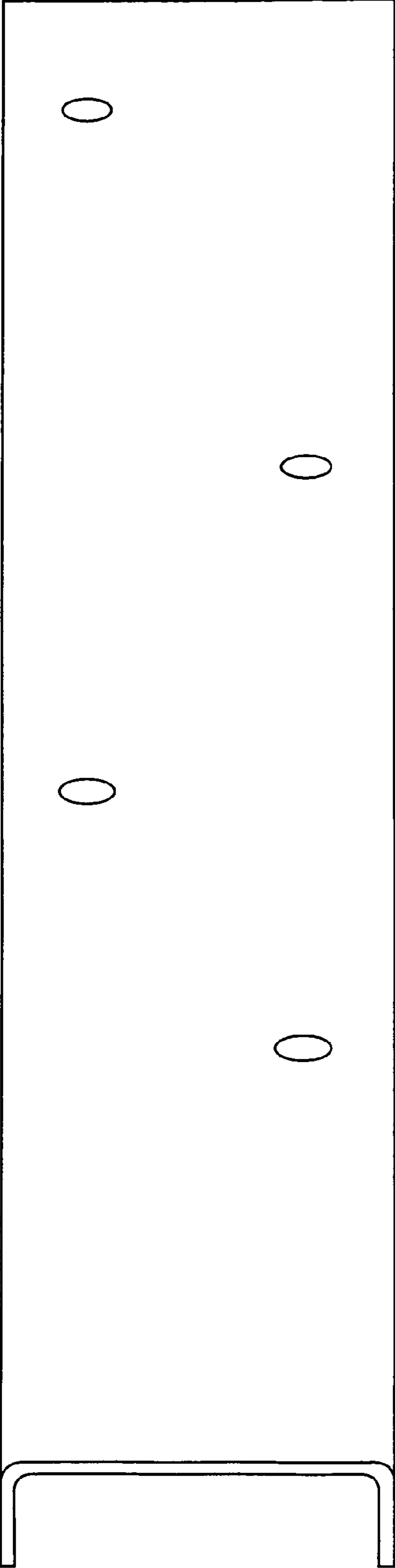


FIGURE 2

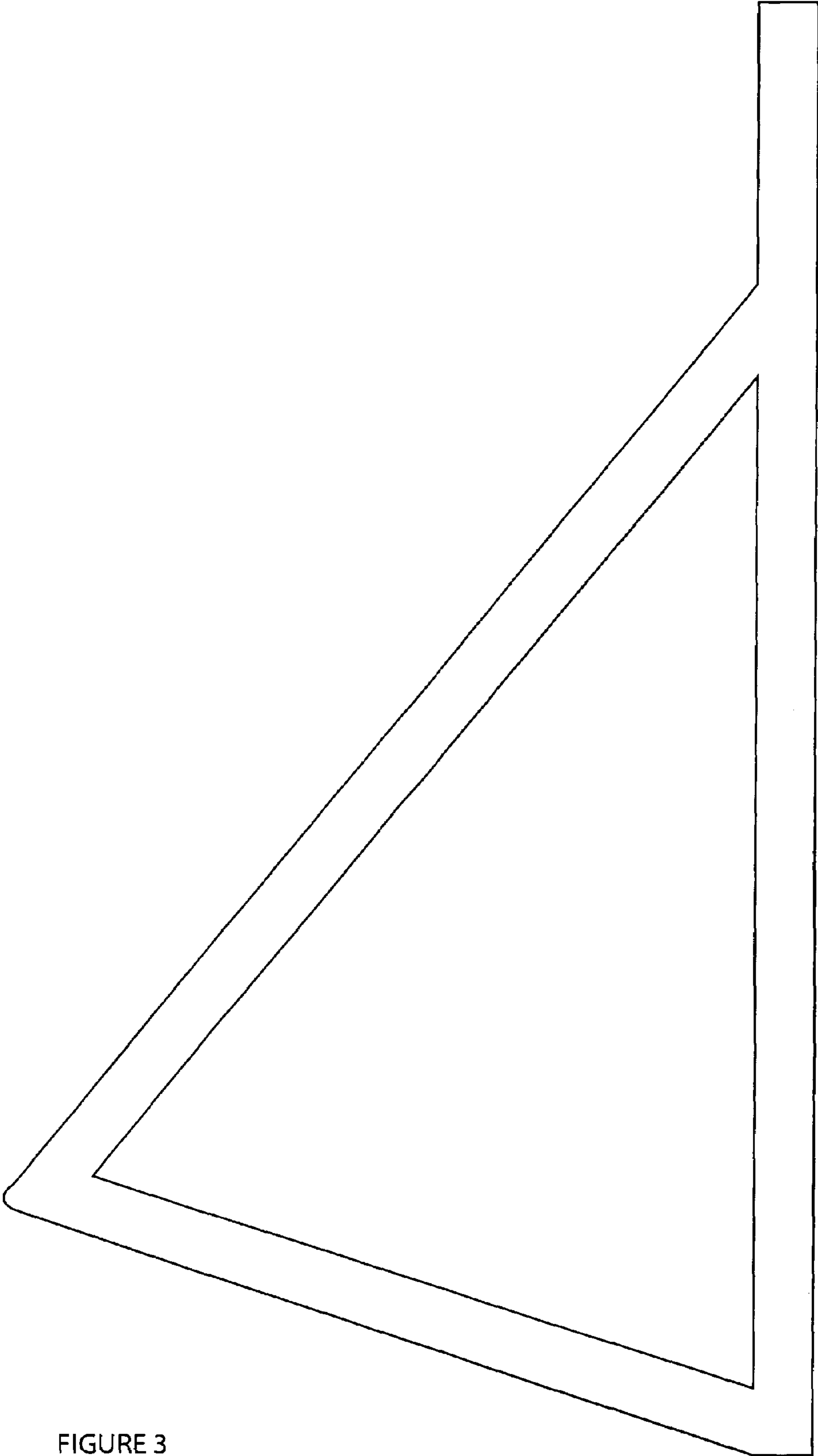


FIGURE 3

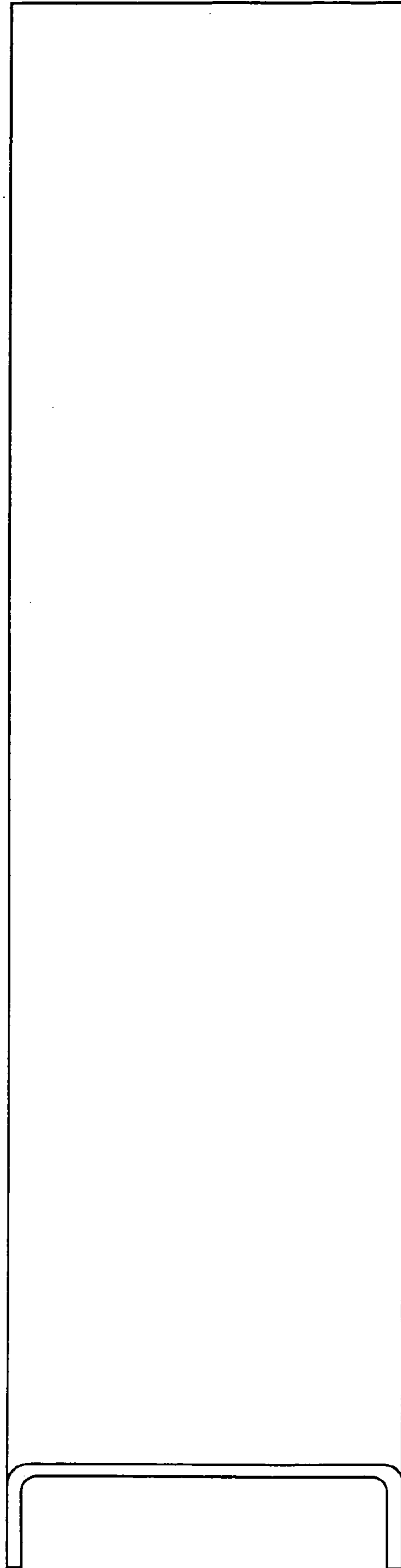


FIGURE 4

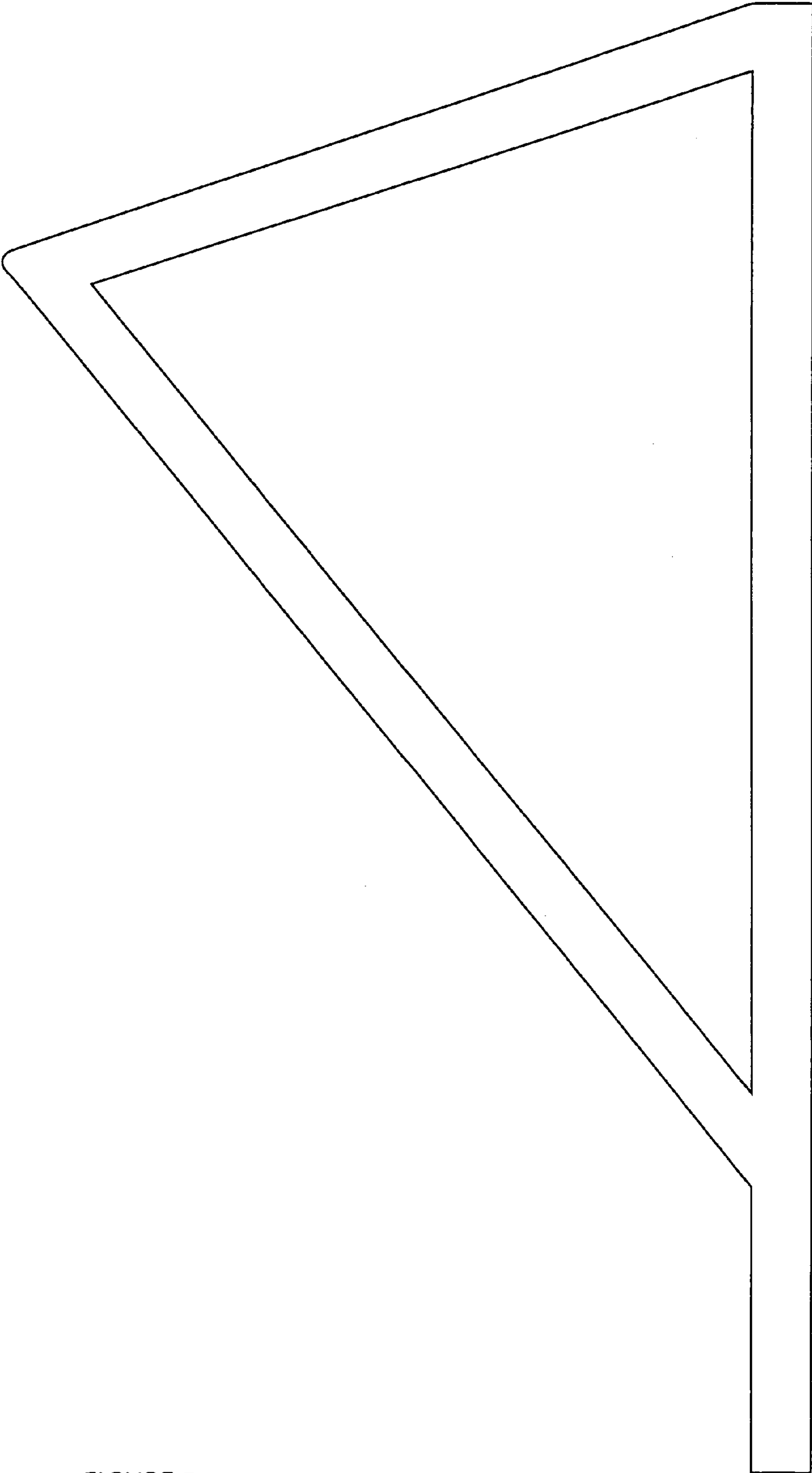


FIGURE 5

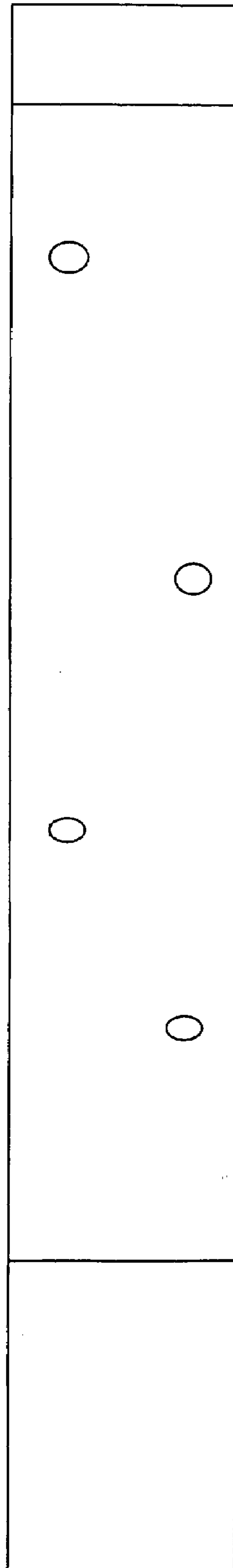


FIGURE 6

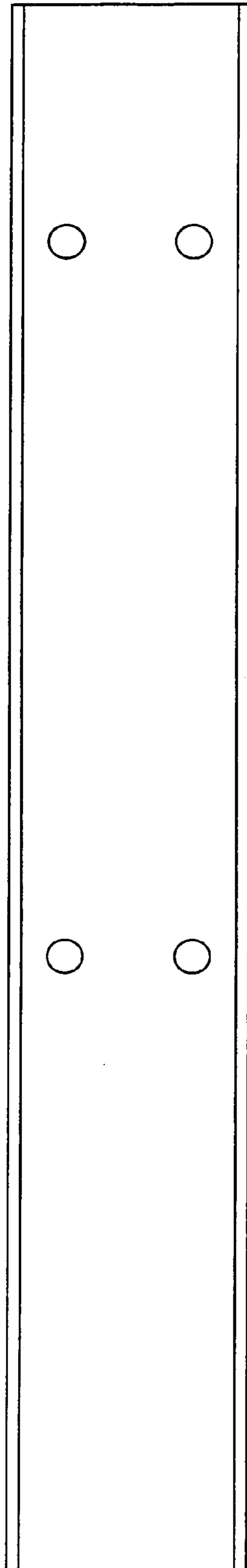


FIGURE 7