



US00D607578S

(12) **United States Design Patent**
Smithline

(10) **Patent No.:** **US D607,578 S**

(45) **Date of Patent:** **** Jan. 5, 2010**

(54) **STORAGE DOOR**

(76) **Inventor:** **William Smithline**, 135 54th St., New York, NY (US) 10022

(**) **Term:** **14 Years**

(21) **Appl. No.:** **29/323,846**

(22) **Filed:** **Sep. 2, 2008**

(51) **LOC (9) Cl.** **25-02**

(52) **U.S. Cl.** **D25/48**

(58) **Field of Classification Search** D25/48;
D6/445, 432; 52/455; 312/326, 321.5, 109,
312/138.1, 242; 49/DIG. 2, 504

See application file for complete search history.

(56) **References Cited**

U.S. PATENT DOCUMENTS

3,822,925	A *	7/1974	Osroff	312/242
4,095,860	A *	6/1978	Henson	312/242
D305,153	S *	12/1989	Elderkin	D25/48
5,163,745	A *	11/1992	Zagata	312/242
D499,492	S *	12/2004	Tyner	D25/48

* cited by examiner

Primary Examiner—Doris Clark

(74) *Attorney, Agent, or Firm*—Collen IP; Donald J. Ranft

(57) **CLAIM**

The ornamental design for a storage door, as shown and described.

DESCRIPTION

FIG. 1 is a front perspective view of my new, original and ornamental design for a storage door;

FIG. 2 is a left side view thereof;

FIG. 3 is a top view thereof;

FIG. 4 is a top view with closet doors open thereof;

FIG. 5 is a front view thereof;

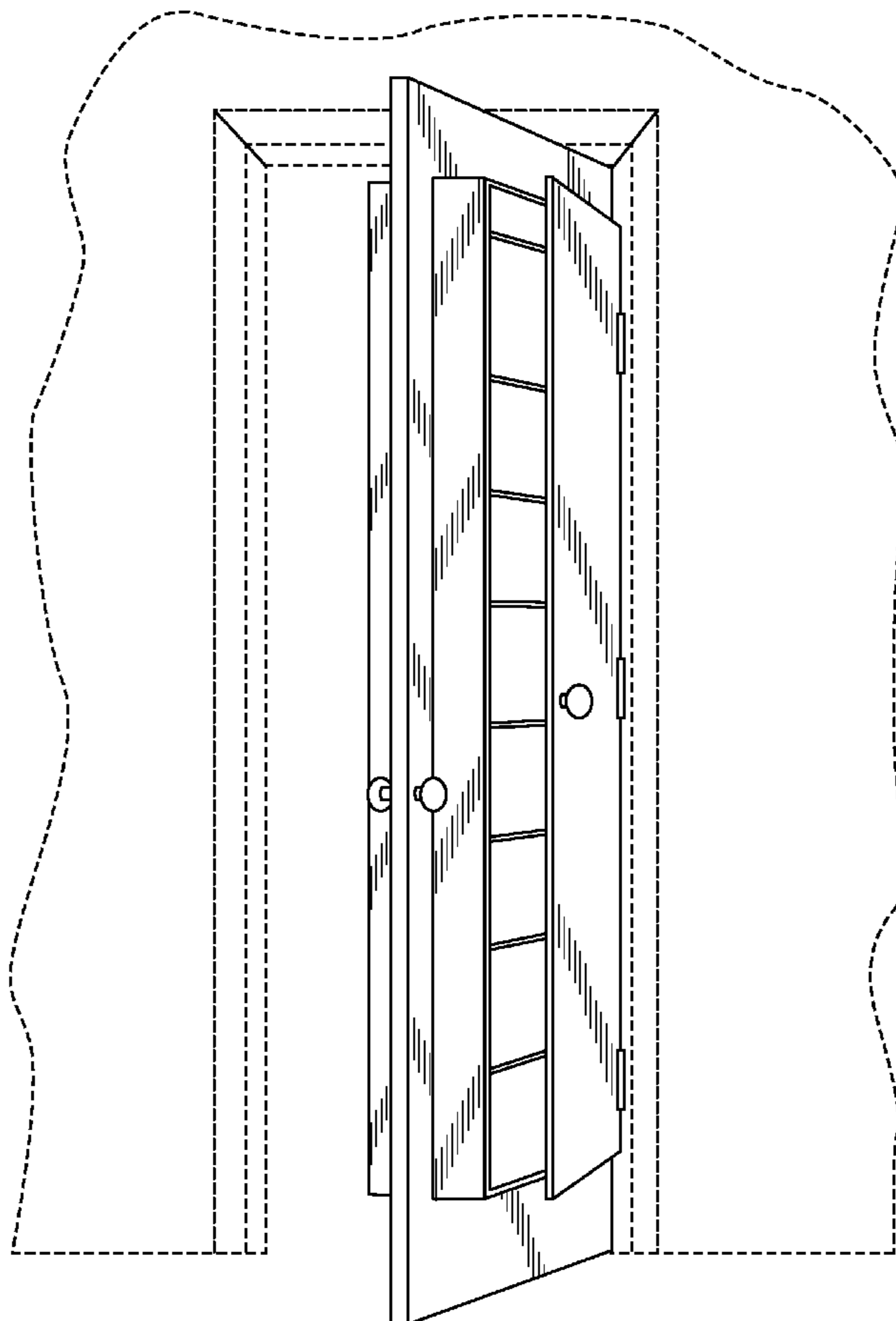
FIG. 6 is a rear view thereof;

FIG. 7 is a front view of another embodiment thereof; and,

FIG. 8 is a front view of another embodiment thereof.

The portions of the storage door shown in broken lines form no part of the claimed design.

1 Claim, 4 Drawing Sheets



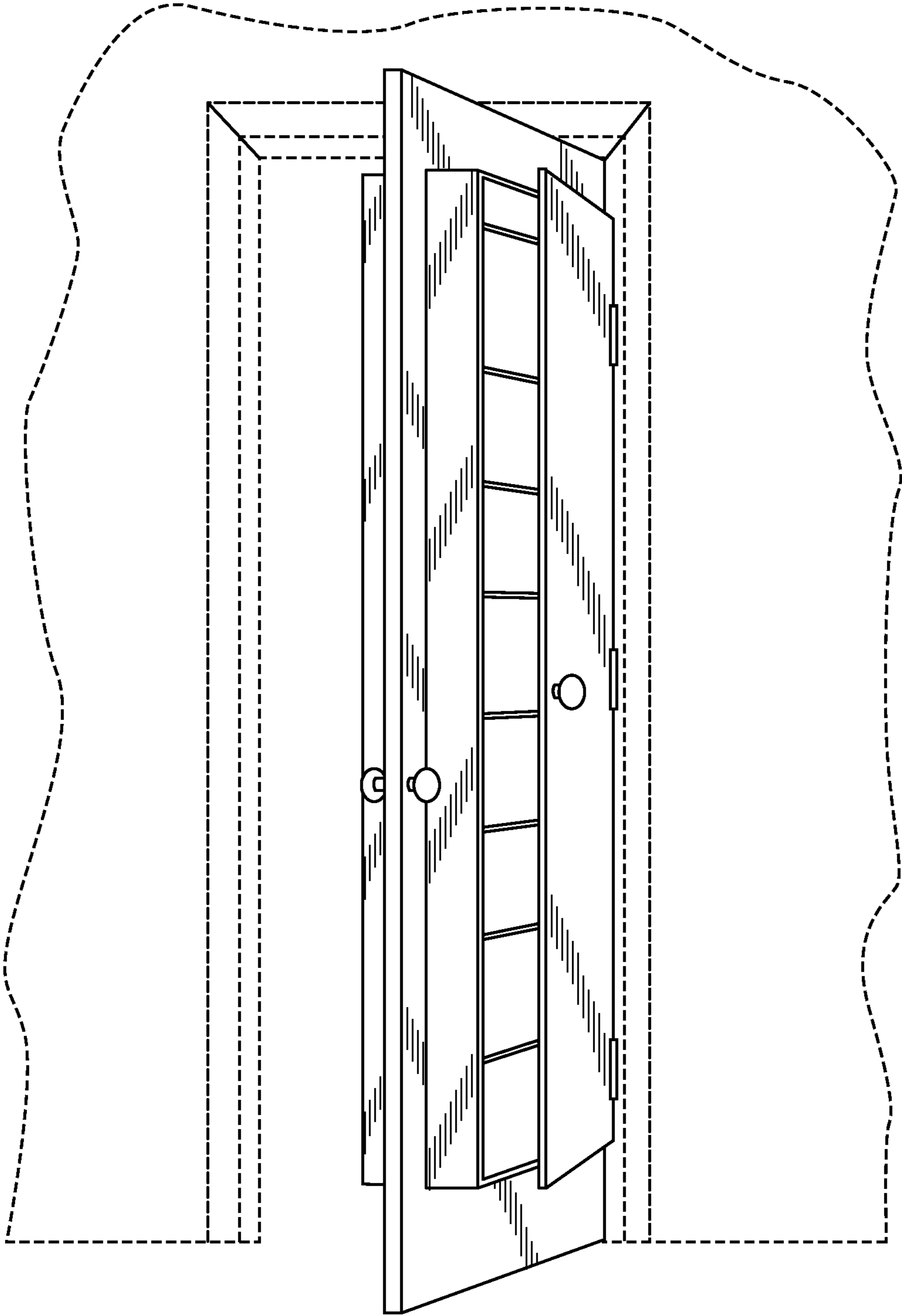


Fig. 1

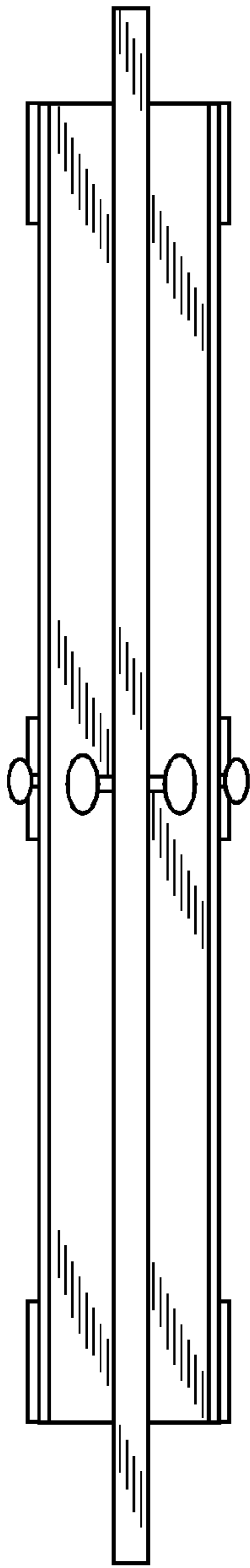


Fig. 2

Fig. 3

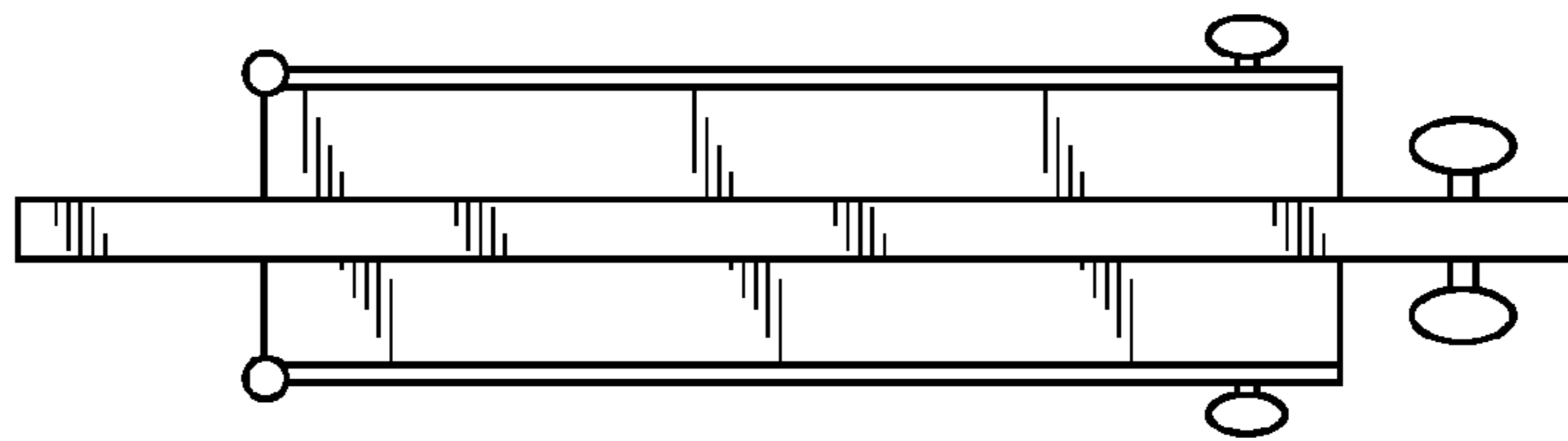


Fig. 4

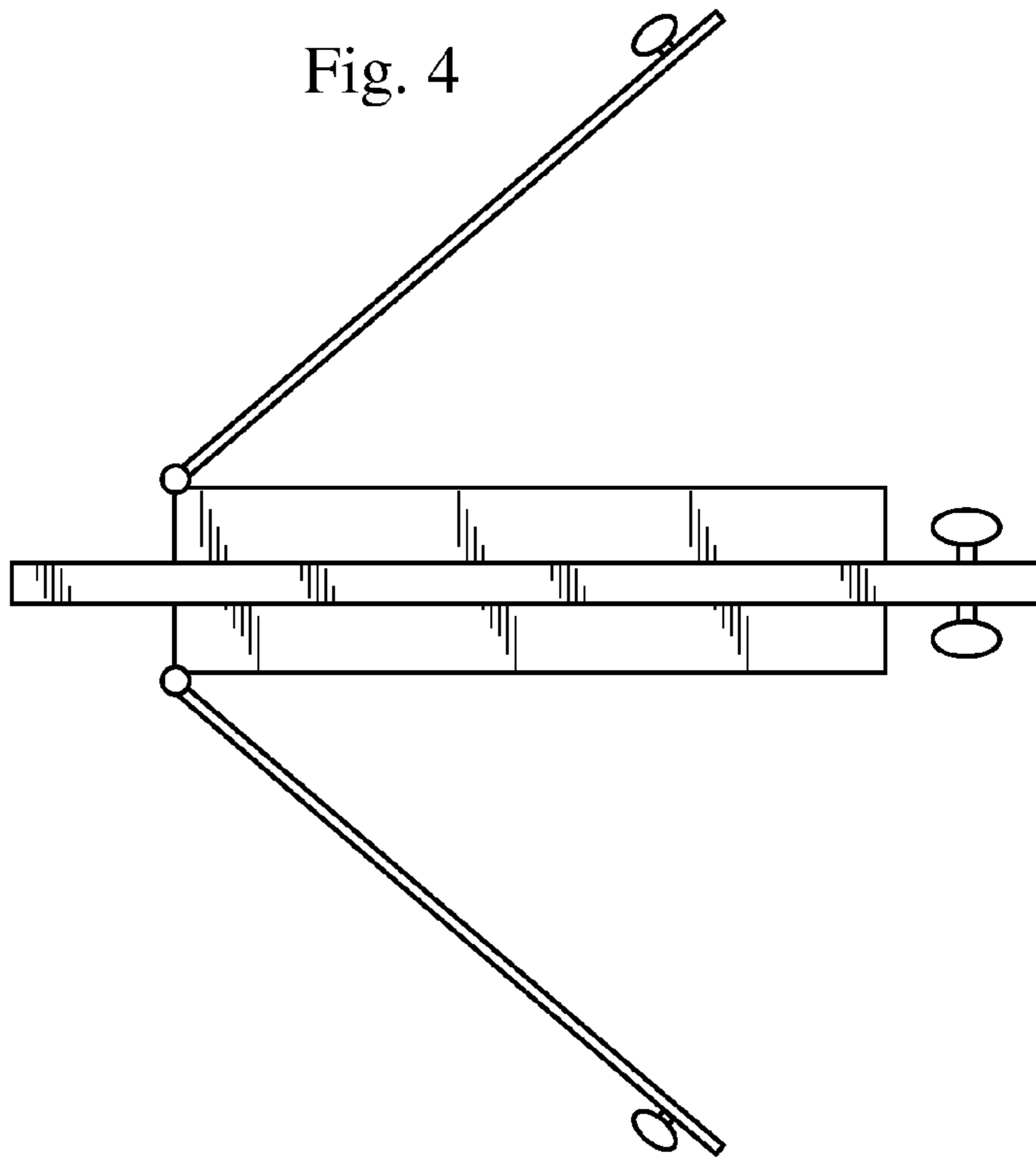


Fig. 5

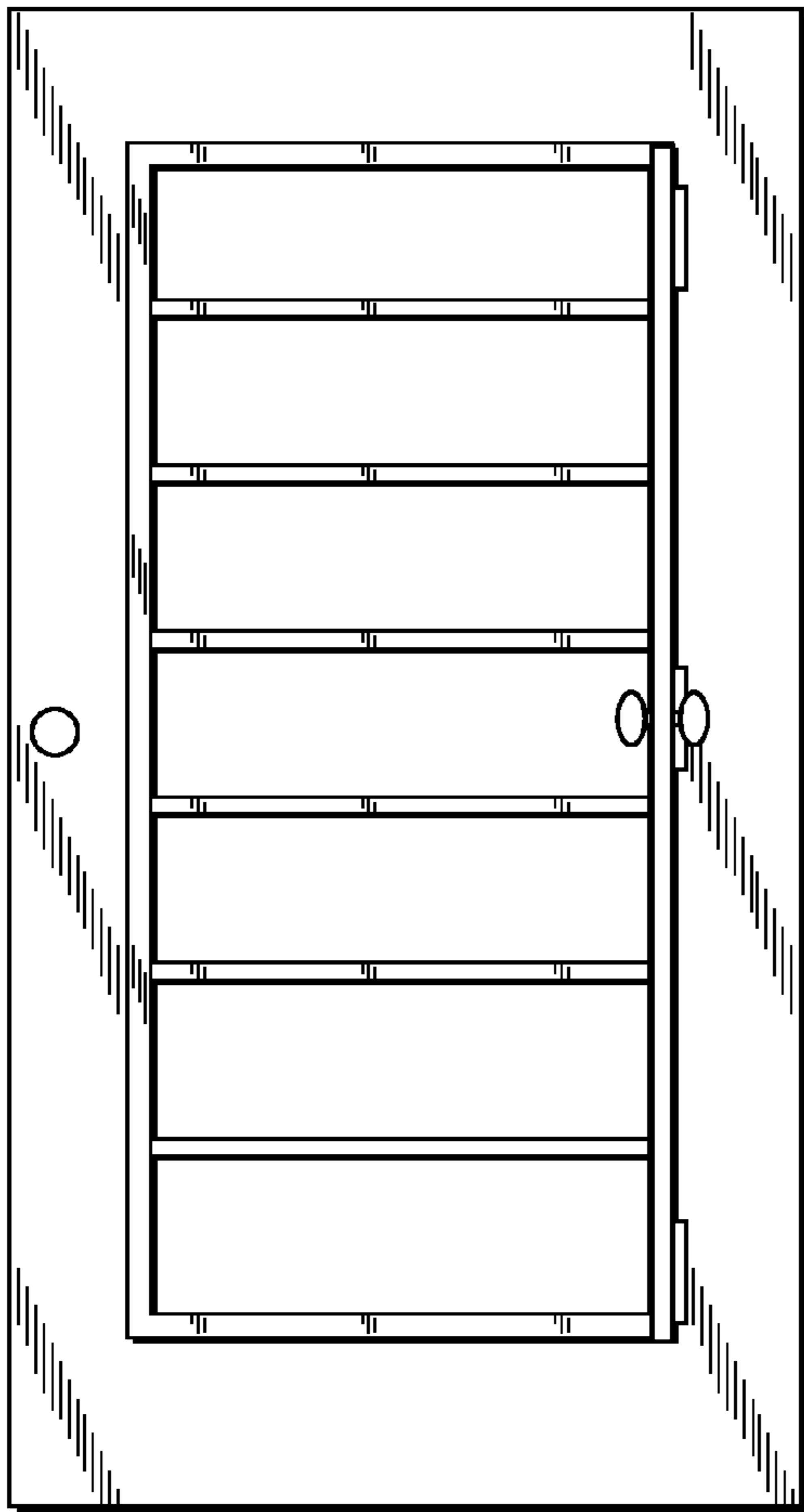


Fig. 6

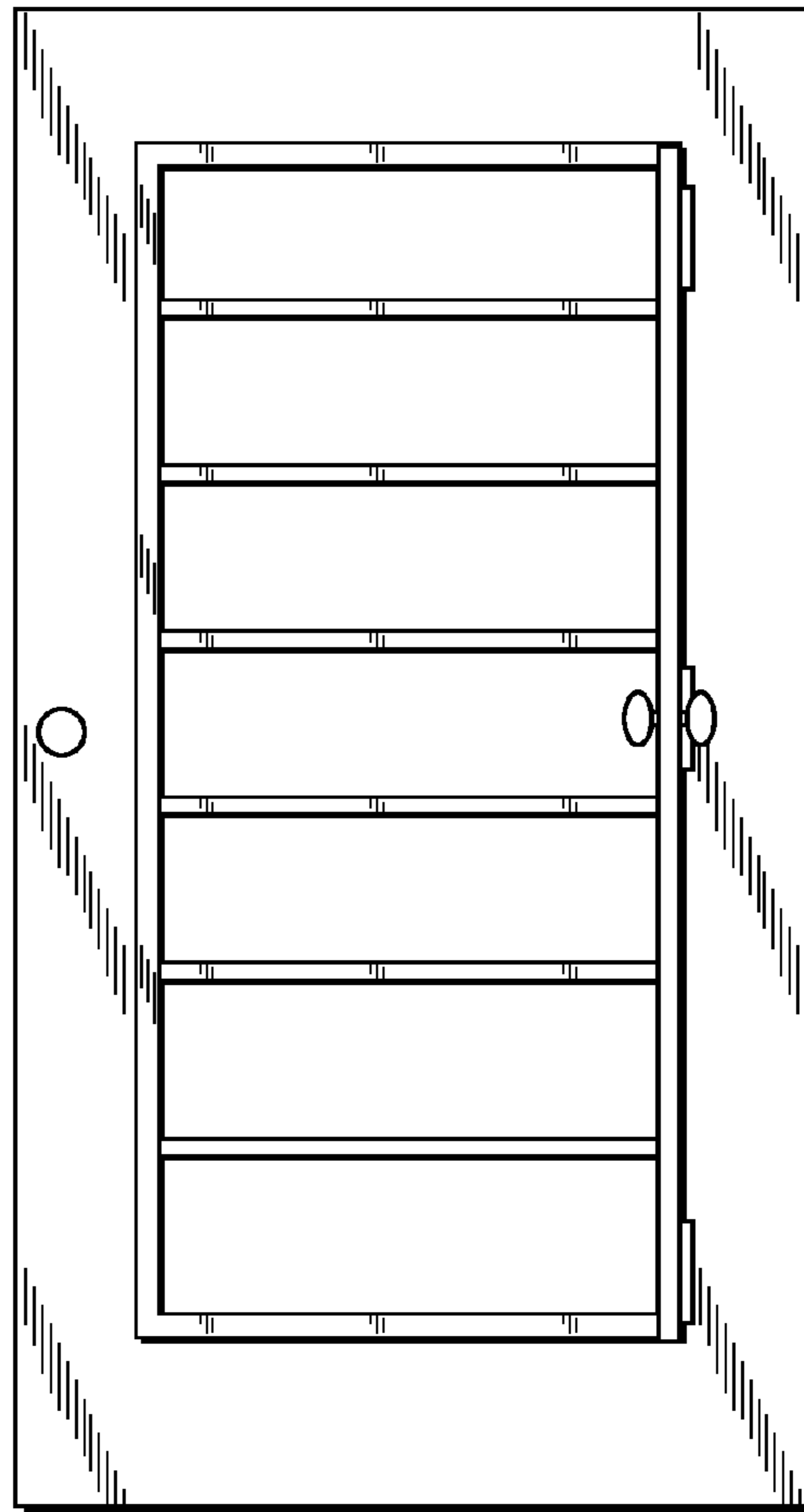


Fig. 7

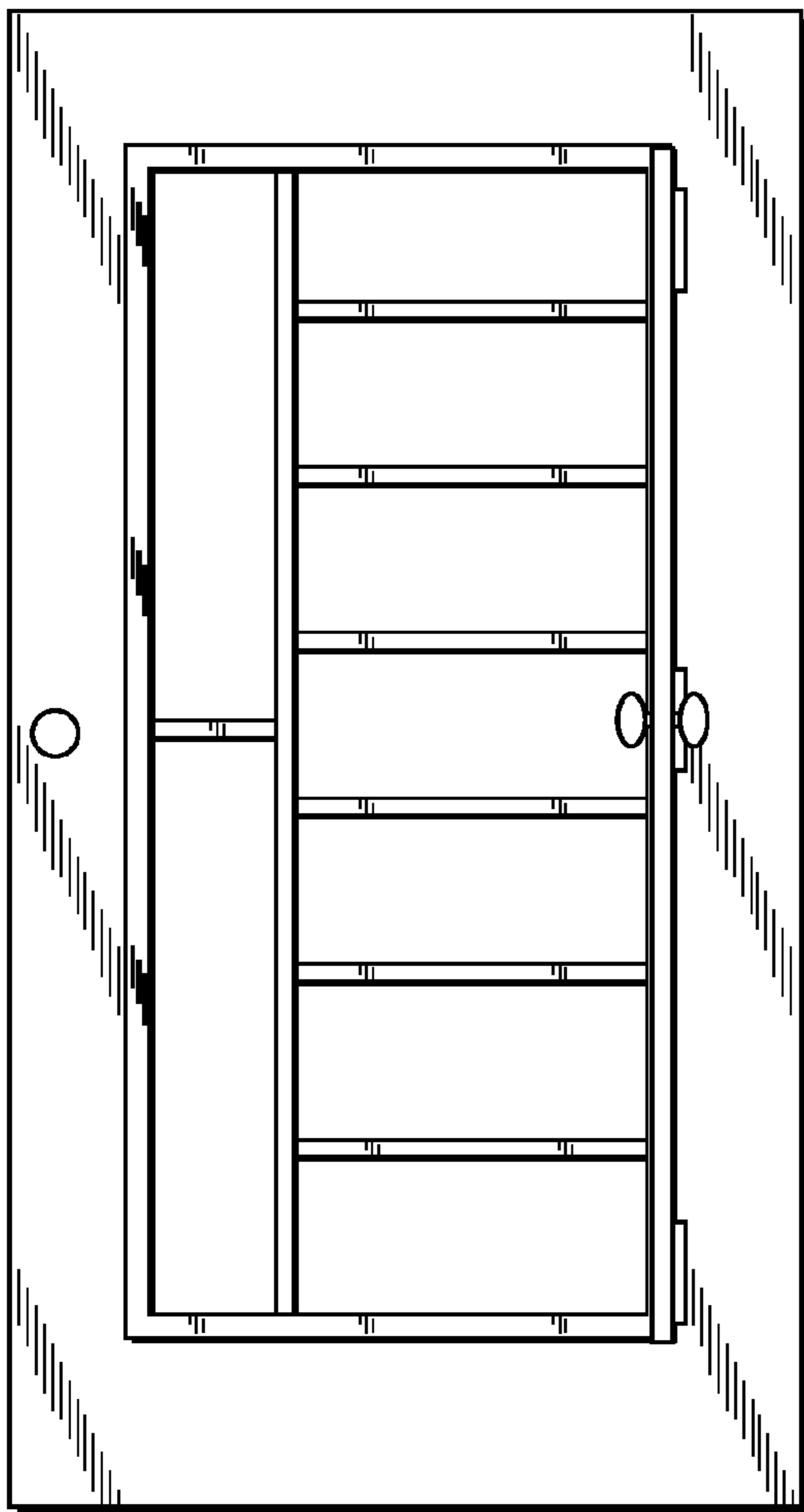


Fig. 8

