



US00D607576S

(12) **United States Design Patent**  
**Thompson, Jr. et al.**

(10) **Patent No.:** **US D607,576 S**

(45) **Date of Patent:** **\*\* Jan. 5, 2010**

(54) **MAGNETIC FENCE**

2005/0201828 A1\* 9/2005 Kang ..... 404/6

(76) Inventors: **William J. Thompson, Jr.**, 111 Wheeler,  
LaVergne, TN (US) 37086; **Helen L.**  
**Thompson**, 111 Wheeler, LaVergne, TN  
(US) 37086; **Wayne A. Sutter**, 111  
Wheeler, LaVergne, TN (US) 37086

\* cited by examiner

*Primary Examiner*—Doris Clark  
(74) *Attorney, Agent, or Firm*—Kevin L. Klug; Draftsman :  
David W. McGuire

(\*\*) Term: **14 Years**

(57) **CLAIM**

(21) Appl. No.: **29/314,332**

The ornamental design for a magnetic fence, as shown and described.

(22) Filed: **Mar. 23, 2009**

**DESCRIPTION**

(51) **LOC (9) Cl.** ..... **25-02**

(52) **U.S. Cl.** ..... **D25/38**

(58) **Field of Classification Search** ..... D25/38;  
256/1, 24; 404/6

See application file for complete search history.

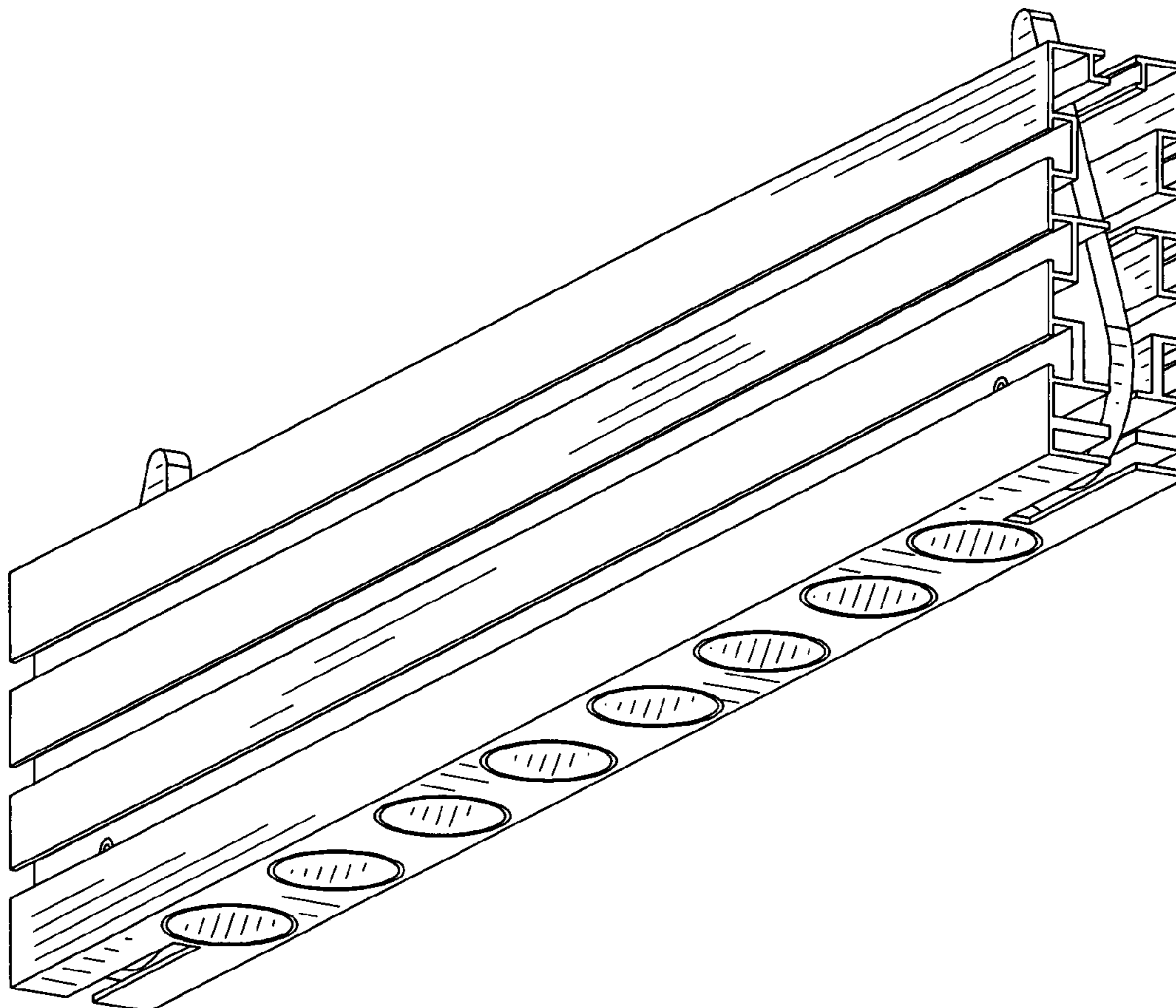
FIG. 1 is a front right perspective view of a magnetic fence;  
FIG. 2 is a bottom right perspective view thereof;  
FIG. 3 is a front side view thereof, a rear plan view being a mirror image;  
FIG. 4 is a left side view thereof;  
FIG. 5 is a right side view thereof;  
FIG. 6 is a top plan view thereof; and,  
FIG. 7 is a bottom plan view thereof.

(56) **References Cited**

**U.S. PATENT DOCUMENTS**

5,498,101	A *	3/1996	Braverman	.....	404/6
6,099,200	A *	8/2000	Pepe et al.	.....	404/6
6,726,183	B2 *	4/2004	Wiley	.....	256/24
D552,250	S *	10/2007	Christensen et al.	.....	D25/38

**1 Claim, 5 Drawing Sheets**



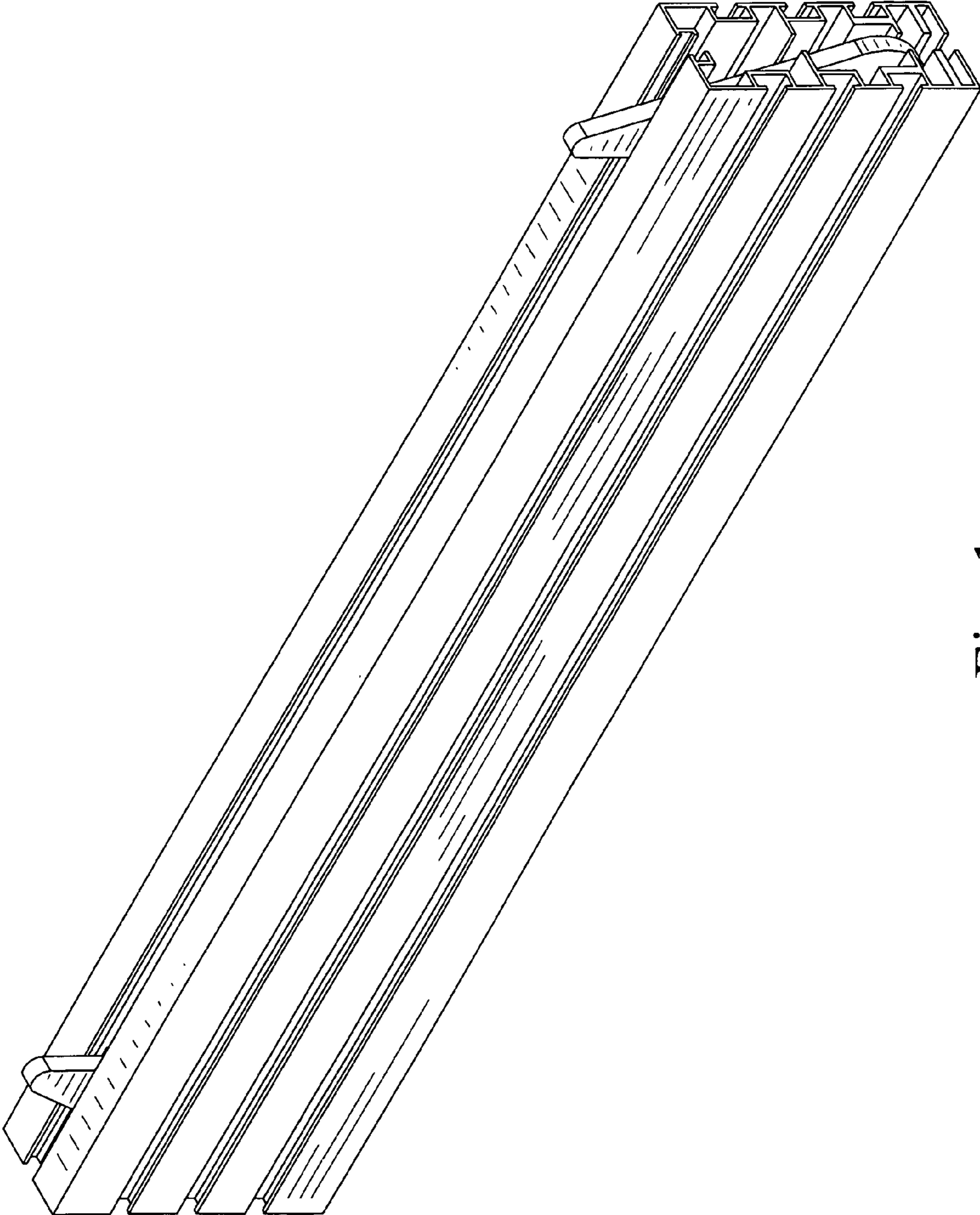


Fig. 1

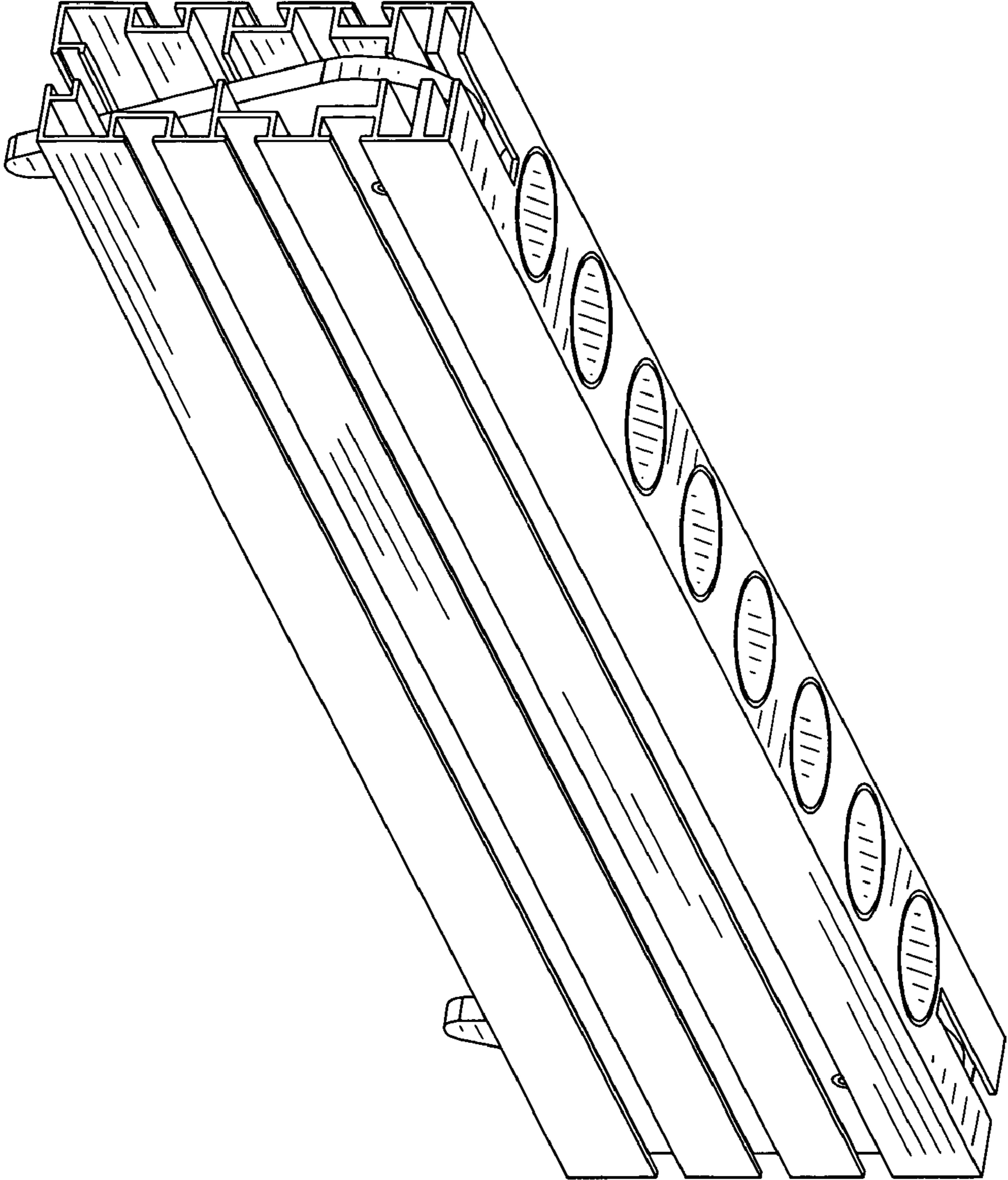


Fig. 2

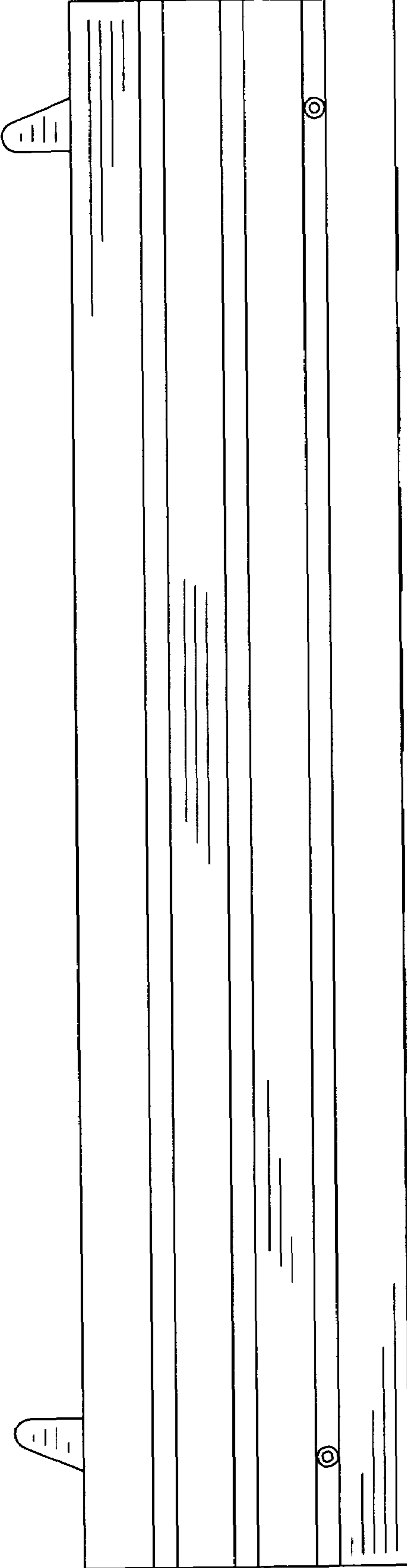


Fig. 3

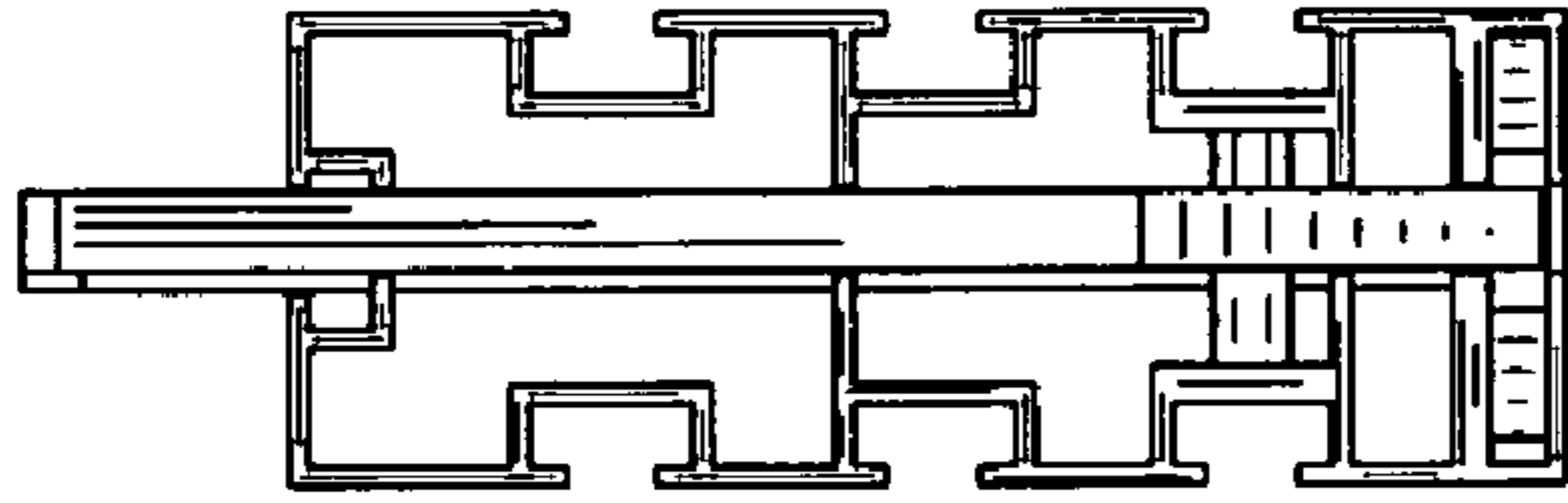


Fig. 5

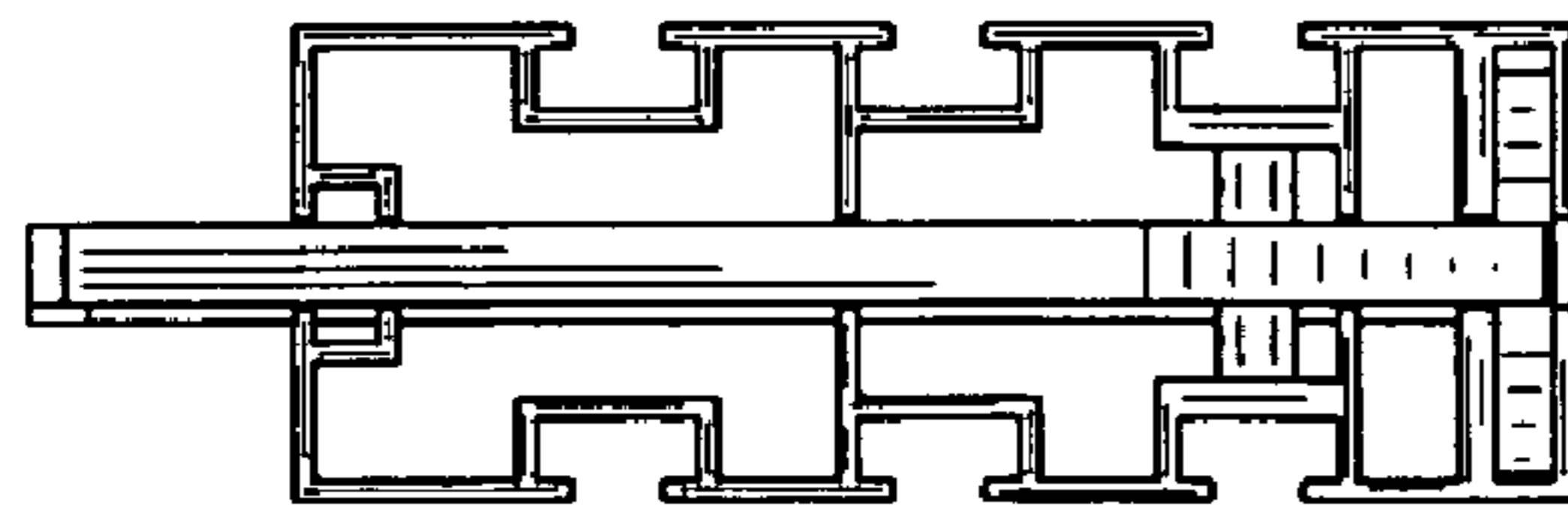


Fig. 4



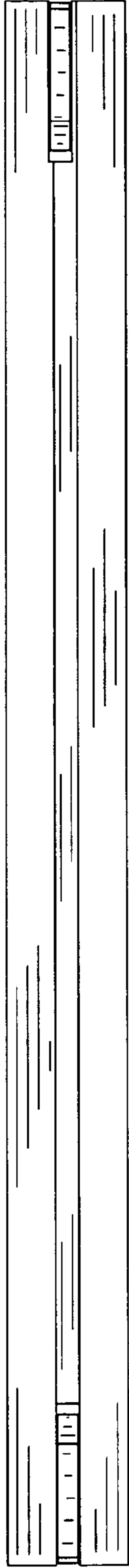


Fig. 6

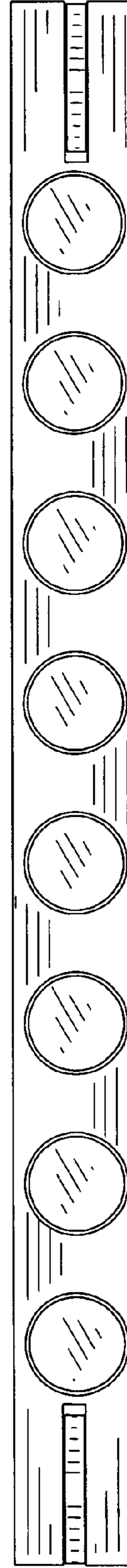


Fig. 7