



US00D607574S

(12) **United States Design Patent**
de Buor

(10) **Patent No.:** **US D607,574 S**
(45) **Date of Patent:** **** Jan. 5, 2010**

(54) **LAMPS FOR LIGHT THERAPY**

(75) Inventor: **Thibaut de Buor**, Hong Kong (HK)

(73) Assignee: **Inmotion Groups Ltd.**, Wanchai (HK)

(**) Term: **14 Years**

(21) Appl. No.: **29/327,010**

(22) Filed: **Oct. 29, 2008**

(30) **Foreign Application Priority Data**

Apr. 29, 2008 (EM) 000926464

(51) **LOC (9) Cl.** **28-03**

(52) **U.S. Cl.** **D24/210**

(58) **Field of Classification Search** D24/200,
D24/209-215, 133, 158; 362/800; 606/1,
606/2, 7, 88, 90-95; D26/37

See application file for complete search history.

(56) **References Cited**

U.S. PATENT DOCUMENTS

D196,137 S *	8/1963	Mackay	D26/24
5,551,949 A *	9/1996	Kim	601/15
D486,234 S *	2/2004	Chernyshev et al.	D24/200
D500,361 S *	12/2004	Owens et al.	D24/200
D561,343 S *	2/2008	Liang	D24/215
D569,987 S *	5/2008	Oberreiter et al.	D24/210

D589,154 S *	3/2009	Oberreiter et al.	D24/210
D596,748 S *	7/2009	Oberreiter et al.	D24/210
2004/0030370 A1 *	2/2004	Lytle	607/89

* cited by examiner

Primary Examiner—Cathron C Brooks

Assistant Examiner—Melanie Levy

(74) *Attorney, Agent, or Firm*—Hani Z. Sayed; Rutan & Tucker, LLP

(57) **CLAIM**

The ornamental design for lamps for light therapy, as shown and described.

DESCRIPTION

FIG. 1 is a perspective view of lamps for light therapy showing my new design;

FIG. 2 is a front elevational view thereof;

FIG. 3 is a front and right side perspective view thereof, shown in an alternate position;

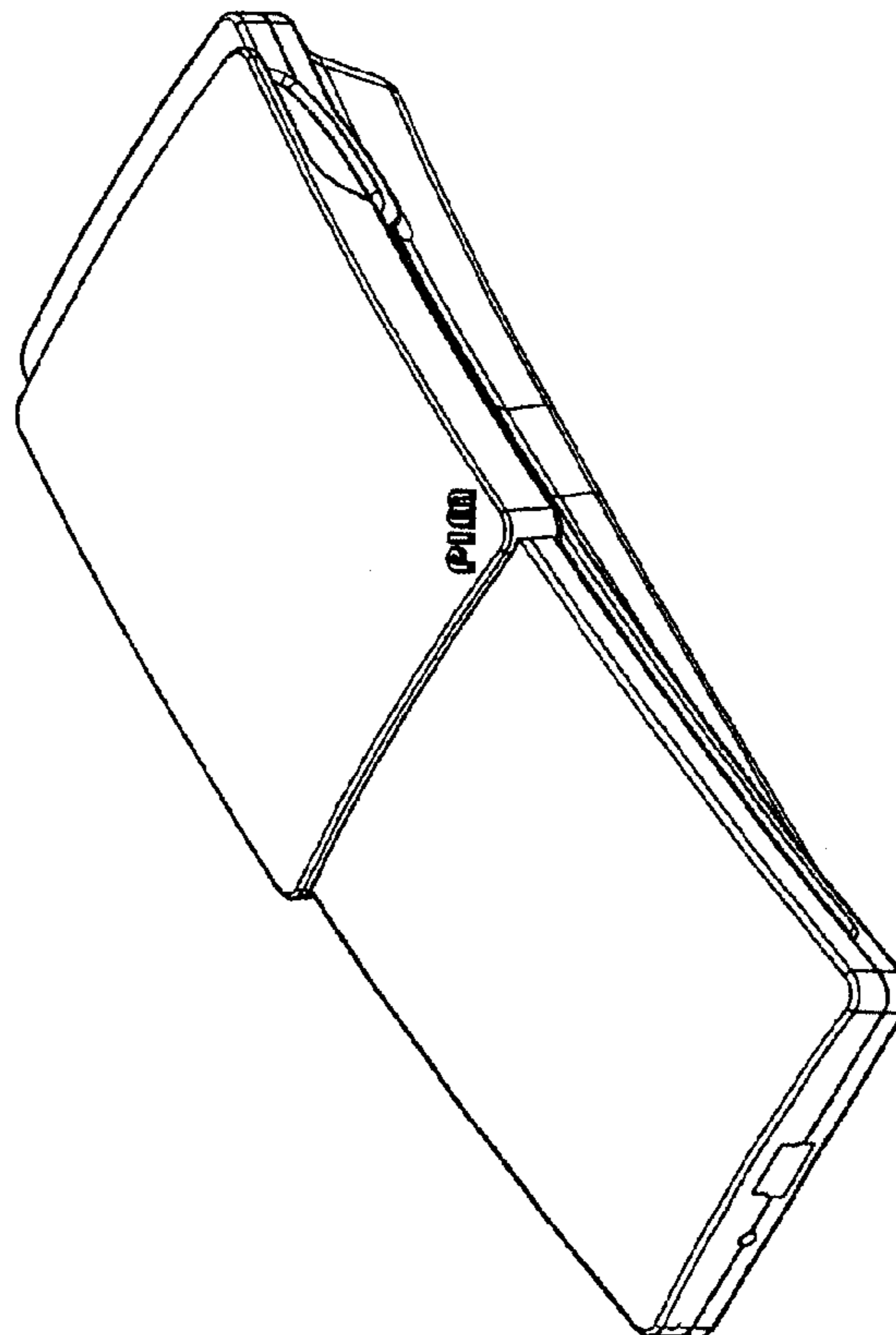
FIG. 4 is a left side elevational view thereof;

FIG. 5 is a top view thereof;

FIG. 6 is a front and right side perspective view thereof, shown in a further alternate position; and,

FIG. 7 is a top view of FIG. 1.

1 Claim, 7 Drawing Sheets



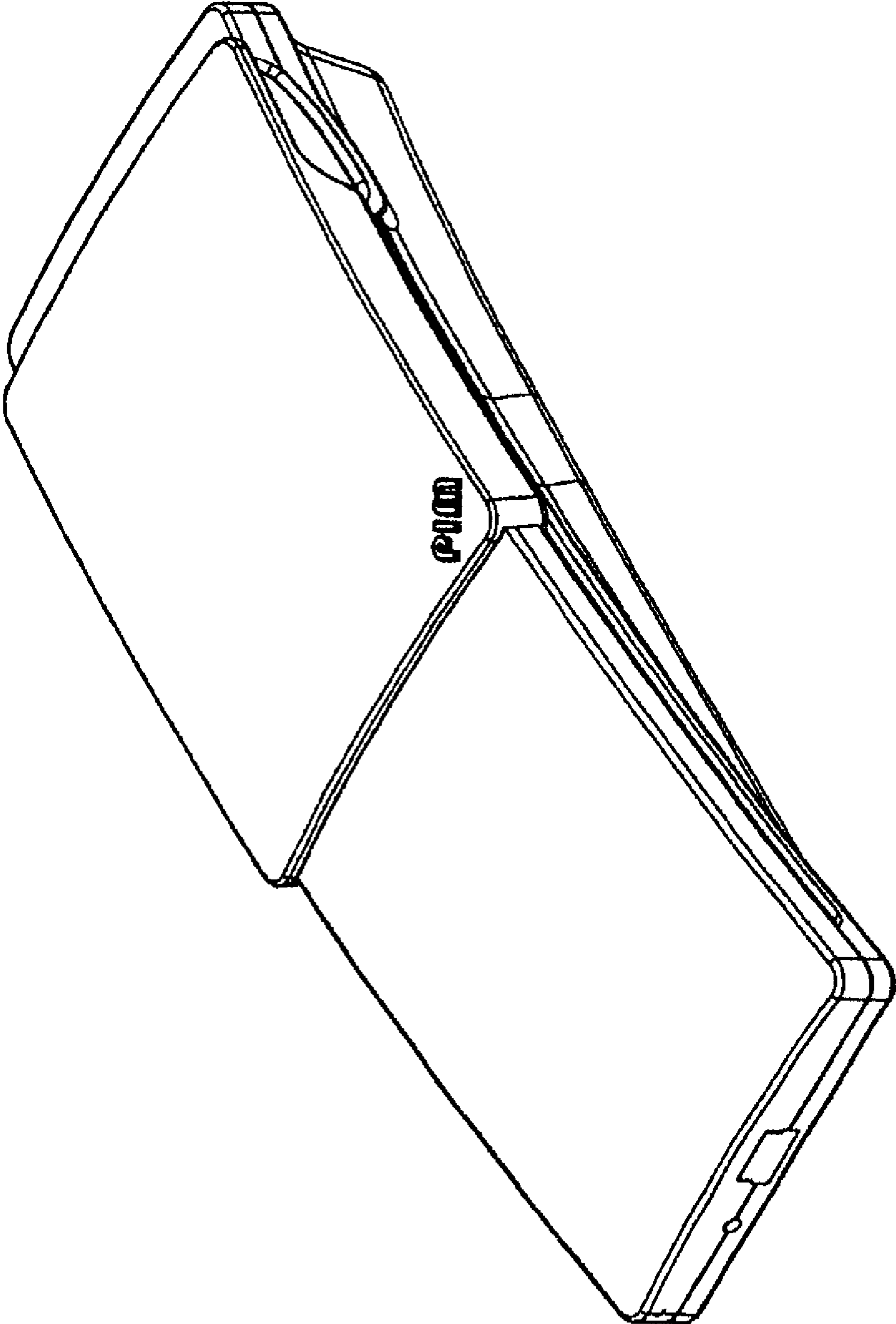


Figure 1

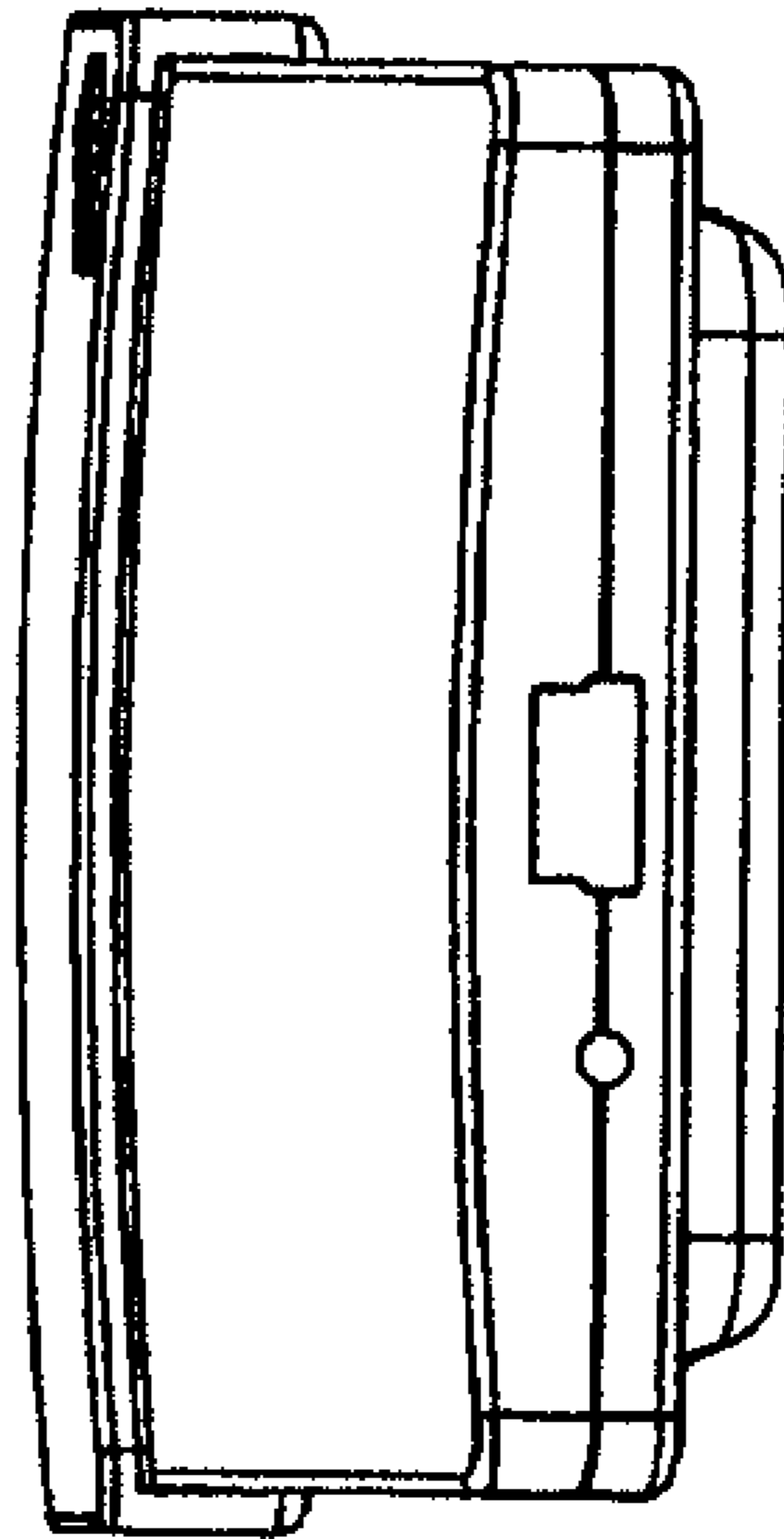


Figure 2

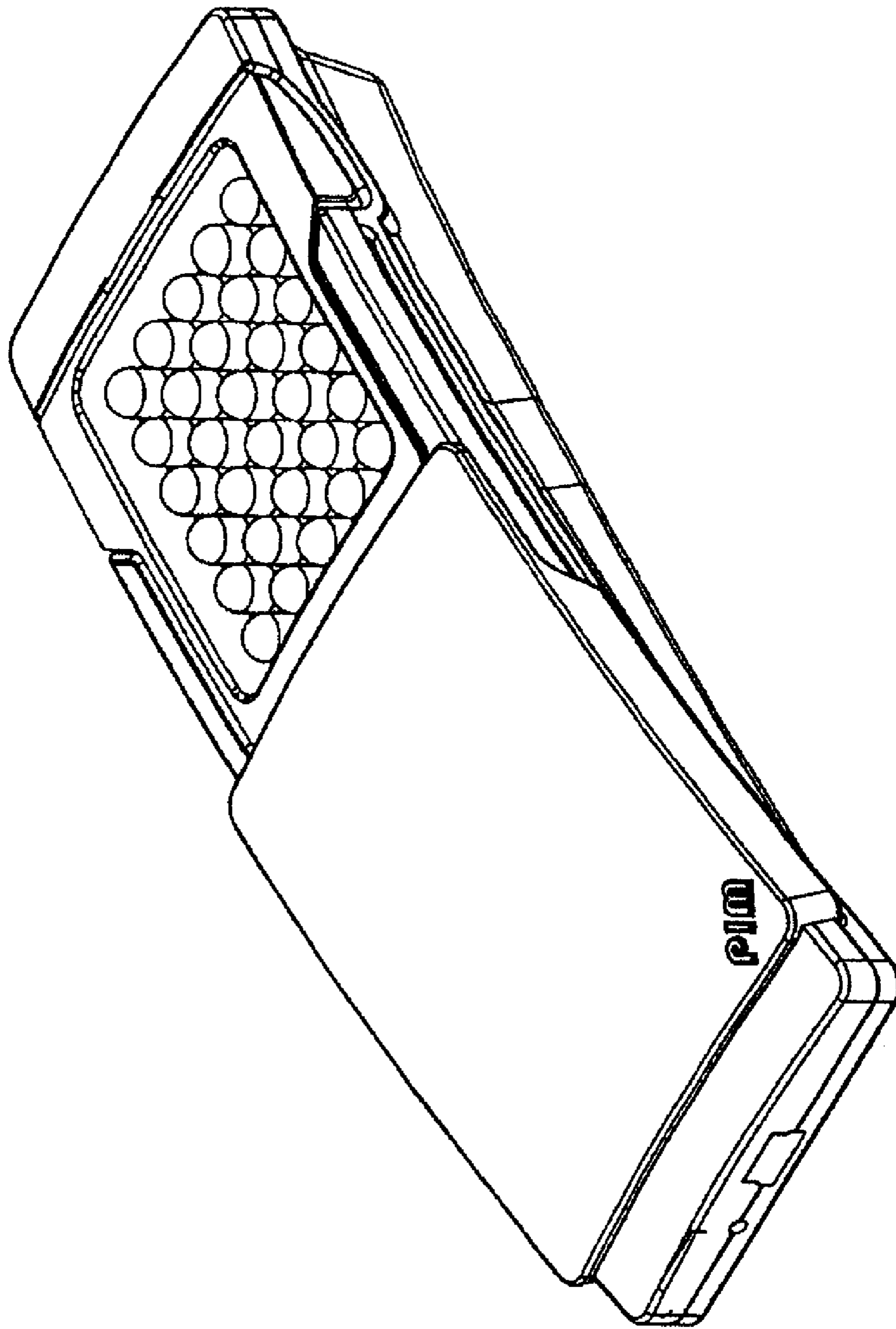


Figure 3

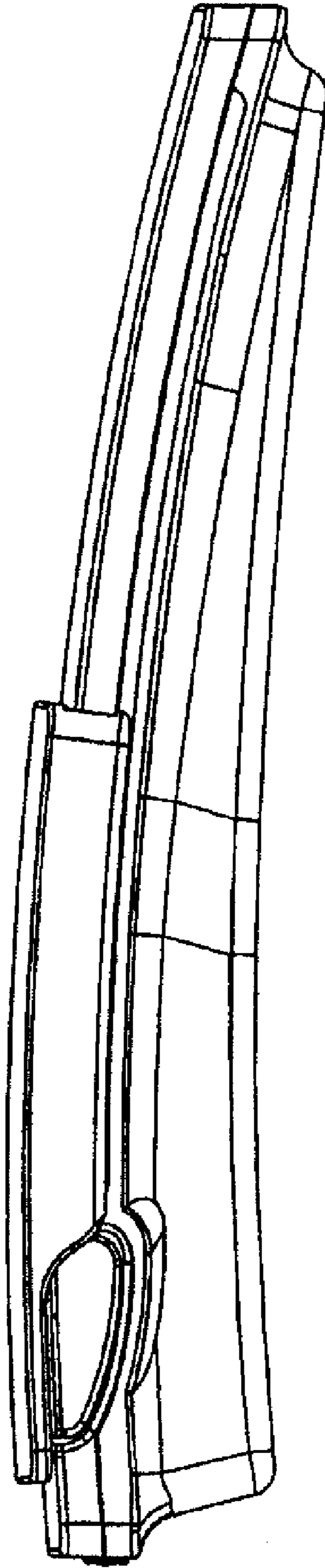


Figure 4

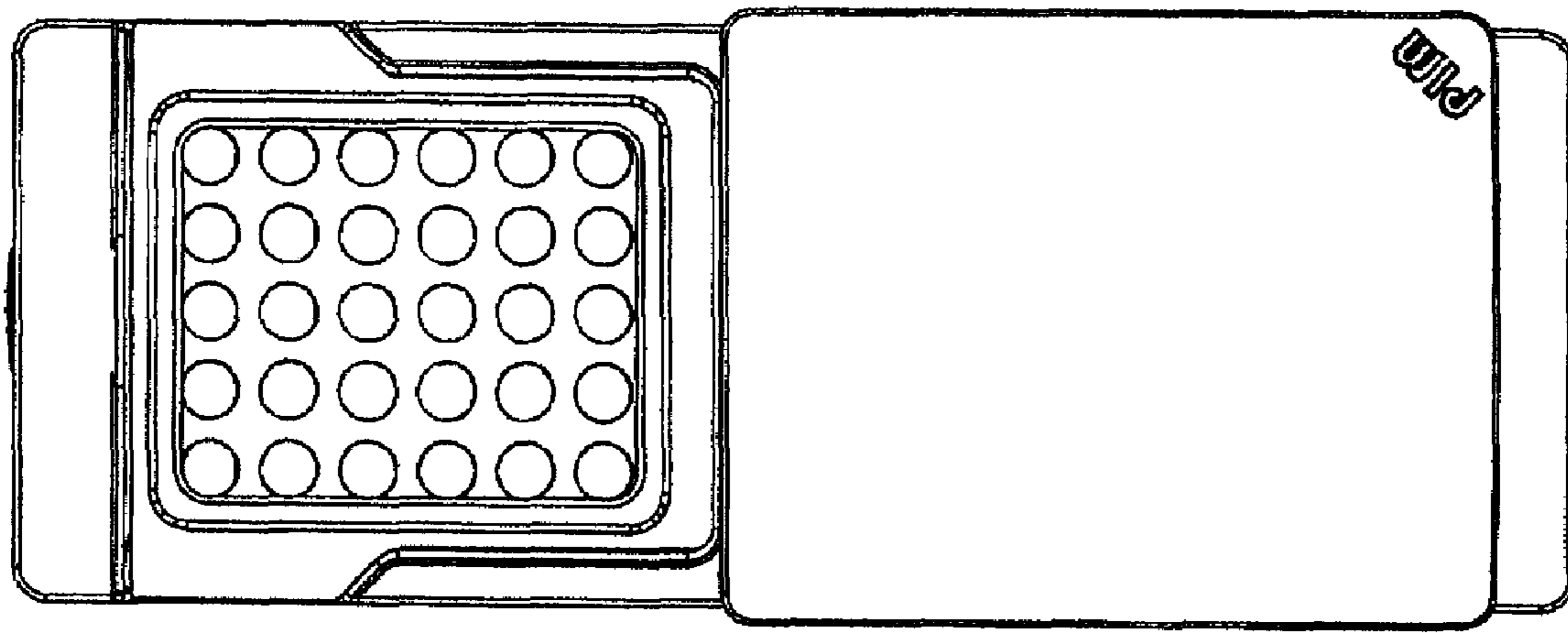


Figure 5

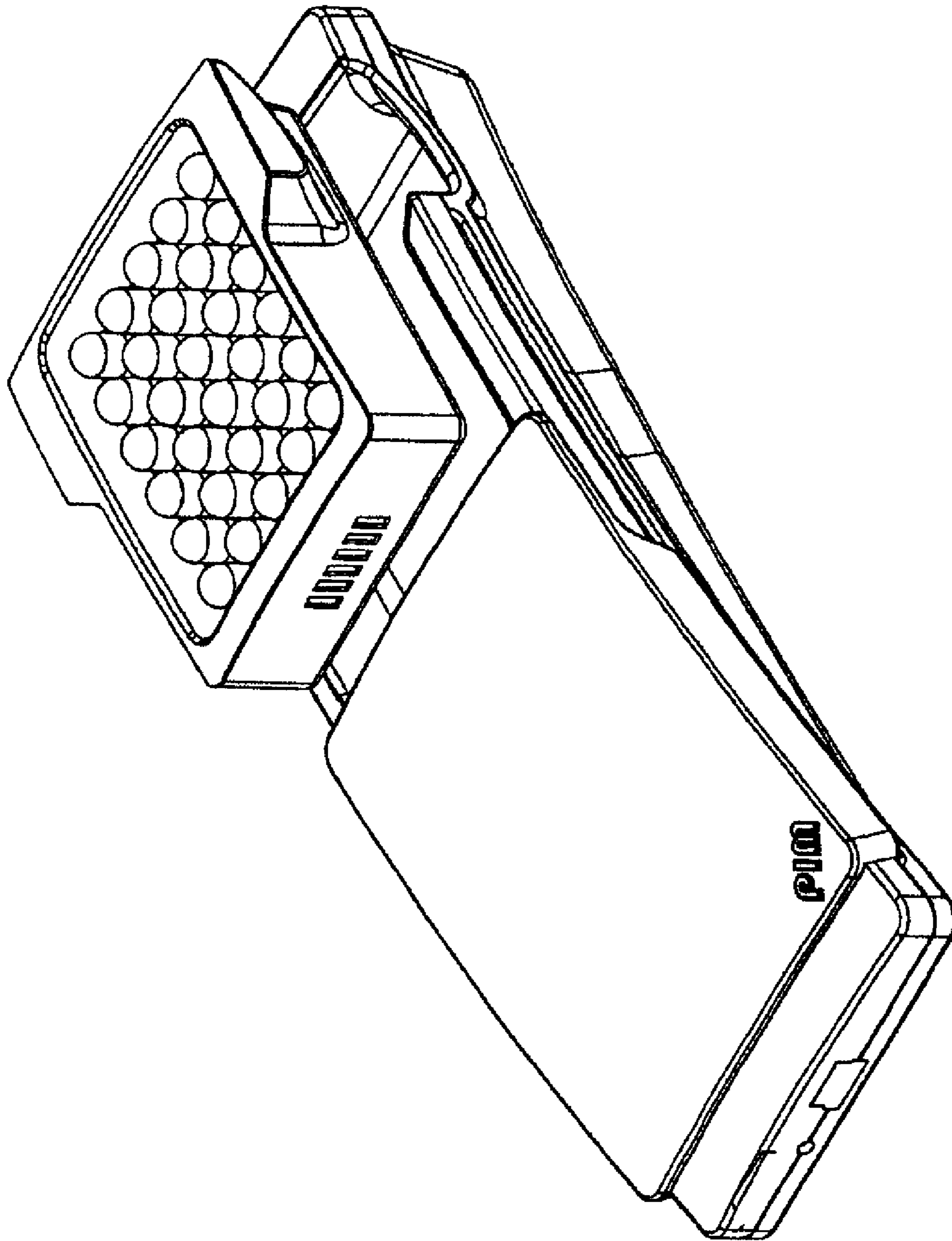


Figure 6

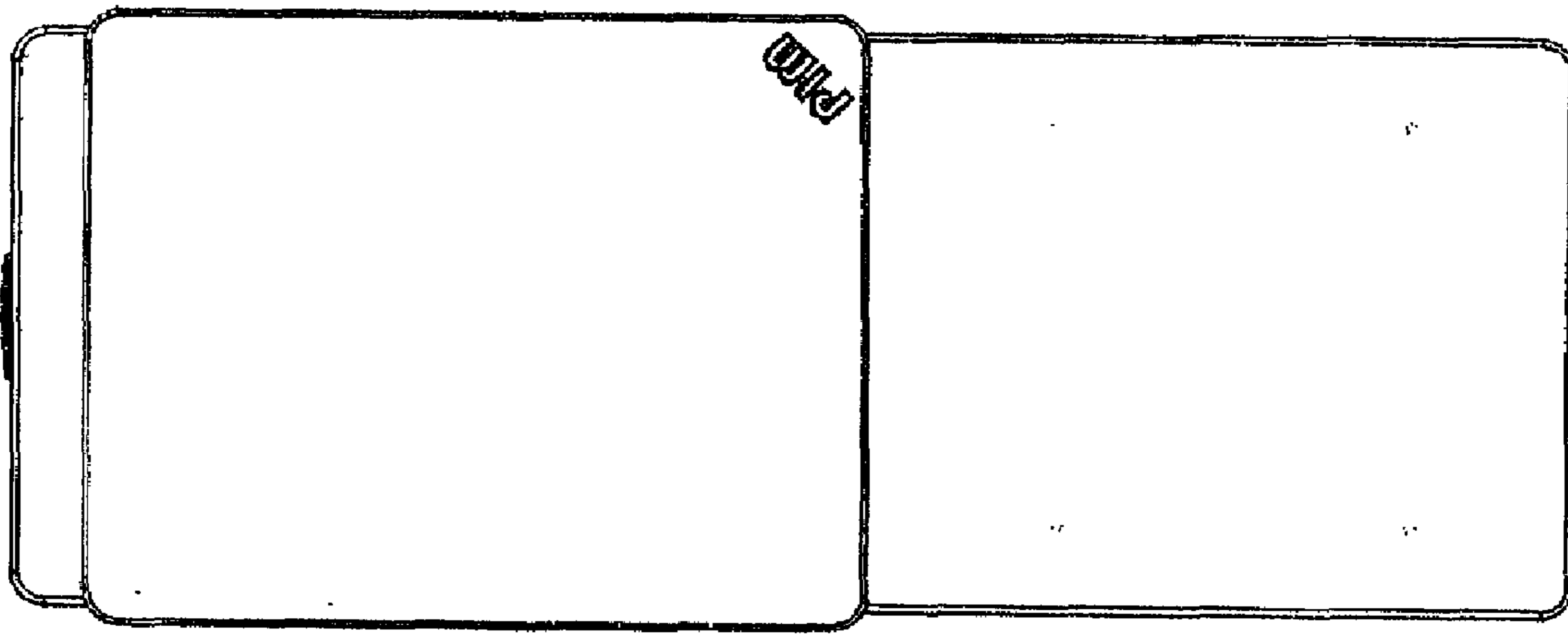


Figure 7