



US00D607570S

(12) **United States Design Patent**
Phillips et al.

(10) **Patent No.:** **US D607,570 S**
(45) **Date of Patent:** **** Jan. 5, 2010**

(54) **ELECTRODE PATCH**

(75) Inventors: **Paul David Phillips**, Donaghadee (GB);
Brian McGregor, Dromora (GB);
Wesley James McKean, Londonderry (GB)

(73) Assignee: **HeartScape Technologies, Inc.**,
Columbia, MD (US)

(**) Term: **14 Years**

(21) Appl. No.: **29/327,870**

(22) Filed: **Nov. 14, 2008**

Related U.S. Application Data

(63) Continuation-in-part of application No. 29/318,313, filed on May 16, 2008, which is a continuation-in-part of application No. 29/318,316, filed on May 16, 2008, which is a continuation-in-part of application No. 29/318,317, filed on May 16, 2008, which is a continuation-in-part of application No. 29/318,319, filed on May 16, 2008.

(51) **LOC (9) Cl.** **24-01**

(52) **U.S. Cl.** **D24/187**

(58) **Field of Classification Search** D24/10,
D24/171, 186-187, 200; 600/546; 607/2,
607/46, 48-58, 72, 75

See application file for complete search history.

(56) **References Cited**

U.S. PATENT DOCUMENTS

D232,589 S *	8/1974	Hinnenekamp	D24/168
5,337,748 A	8/1994	McAdams		
5,419,337 A	5/1995	Dempsey et al.		
5,733,151 A	3/1998	Edsall et al.		
6,055,448 A	4/2000	Anderson et al.		
D452,323 S *	12/2001	Mastrototaro et al.	D24/187

6,385,473 B1 *	5/2002	Haines et al.	600/393
6,415,169 B1 *	7/2002	Kornrumpf et al.	600/382
6,453,186 B1 *	9/2002	Lovejoy et al.	600/386
6,721,593 B2	4/2004	Anderson et al.		
6,778,851 B2	8/2004	Anderson et al.		
D501,558 S *	2/2005	Chastain et al.	D24/187
D505,206 S *	5/2005	Chastain et al.	D24/187
7,127,279 B2	10/2006	Finneran et al.		
D541,421 S *	4/2007	Metzger et al.	D24/187
D565,183 S *	3/2008	Cheng et al.	D24/168
7,439,449 B1 *	10/2008	Kumar et al.	174/254
7,446,261 B2 *	11/2008	Kumar et al.	174/255

* cited by examiner

Primary Examiner—T. Chase Nelson

Assistant Examiner—Mark Cavanna

(74) *Attorney, Agent, or Firm*—Wolf, Greenfield & Sacks, P.C.

(57) **CLAIM**

The ornamental design for an electrode patch, as shown and described.

DESCRIPTION

FIG. 1 is a front view of a first embodiment of the electrode patch;

FIG. 2 is a rear view thereof;

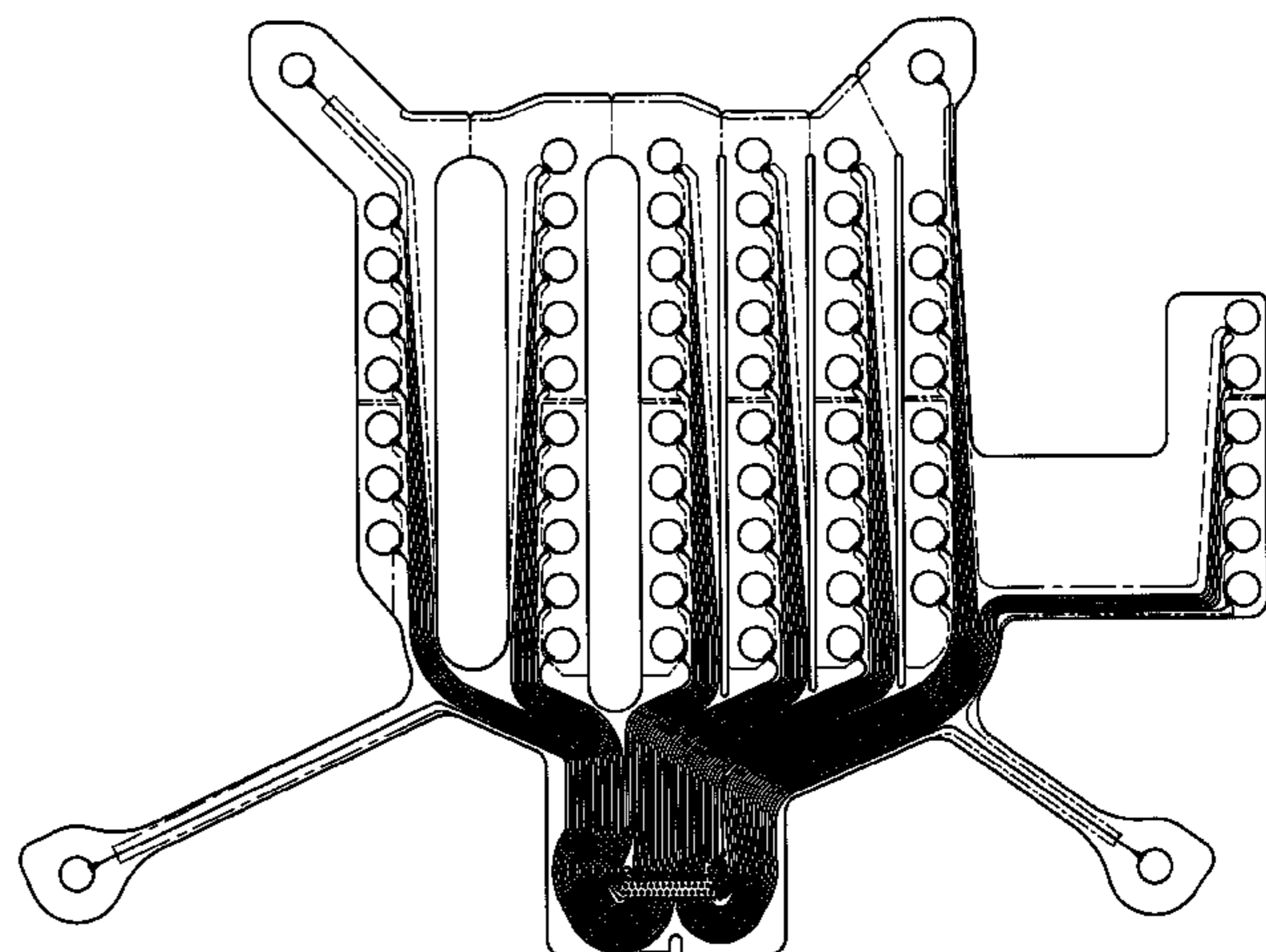
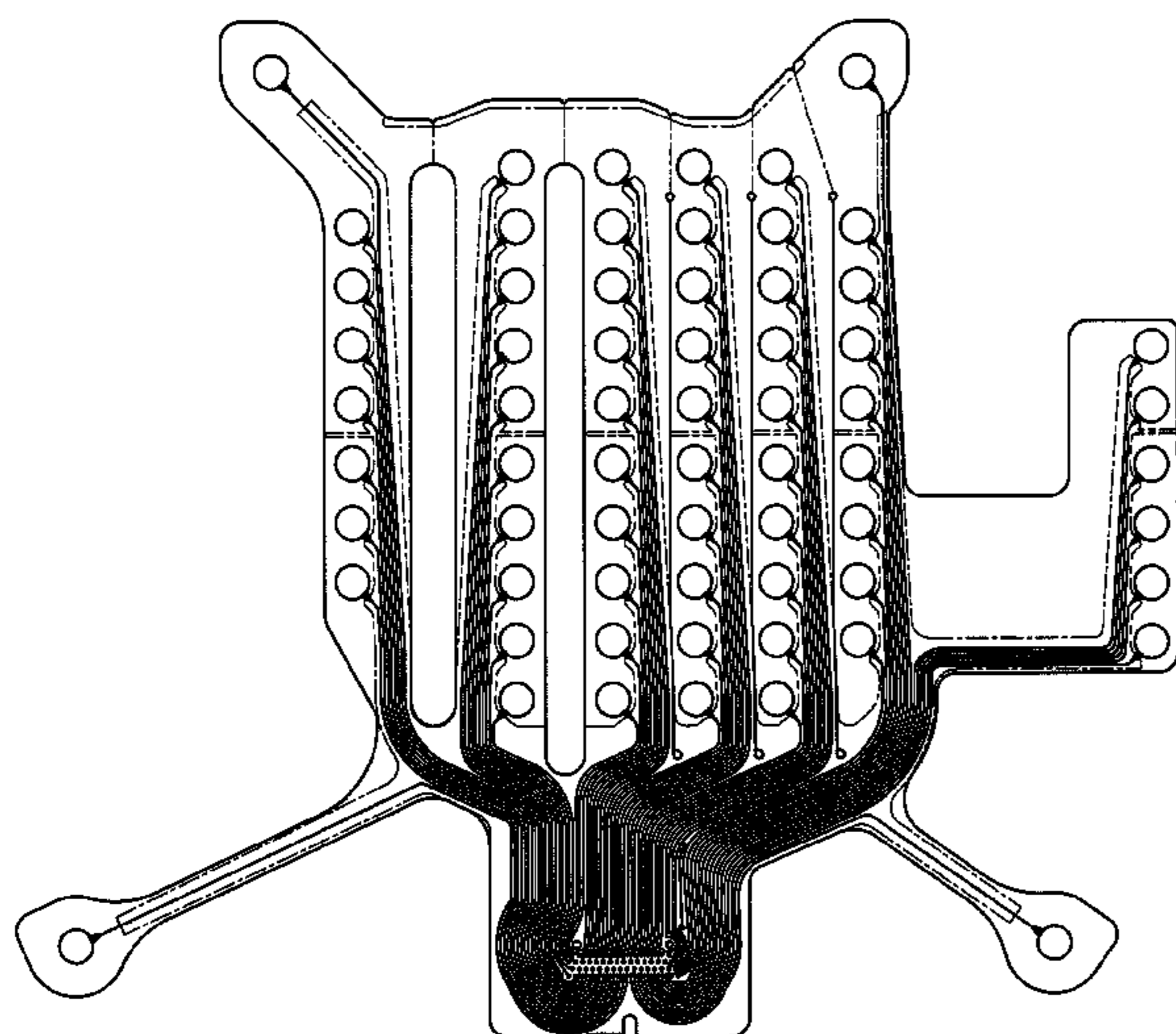
FIG. 3 is a front view of a second embodiment of the electrode patch; and,

FIG. 4 is a rear view thereof.

The sides are of no substantial thickness, and the corresponding views are therefore omitted.

The five slits at the top portion of the electrode patch seen in FIGS. 1-4, the insulation around the periphery of the conductive tracings seen in FIGS. 1-4, and the conductive tracings seen in FIGS. 2 and 4 are all shown in broken lines and form no part of the claimed design.

1 Claim, 4 Drawing Sheets



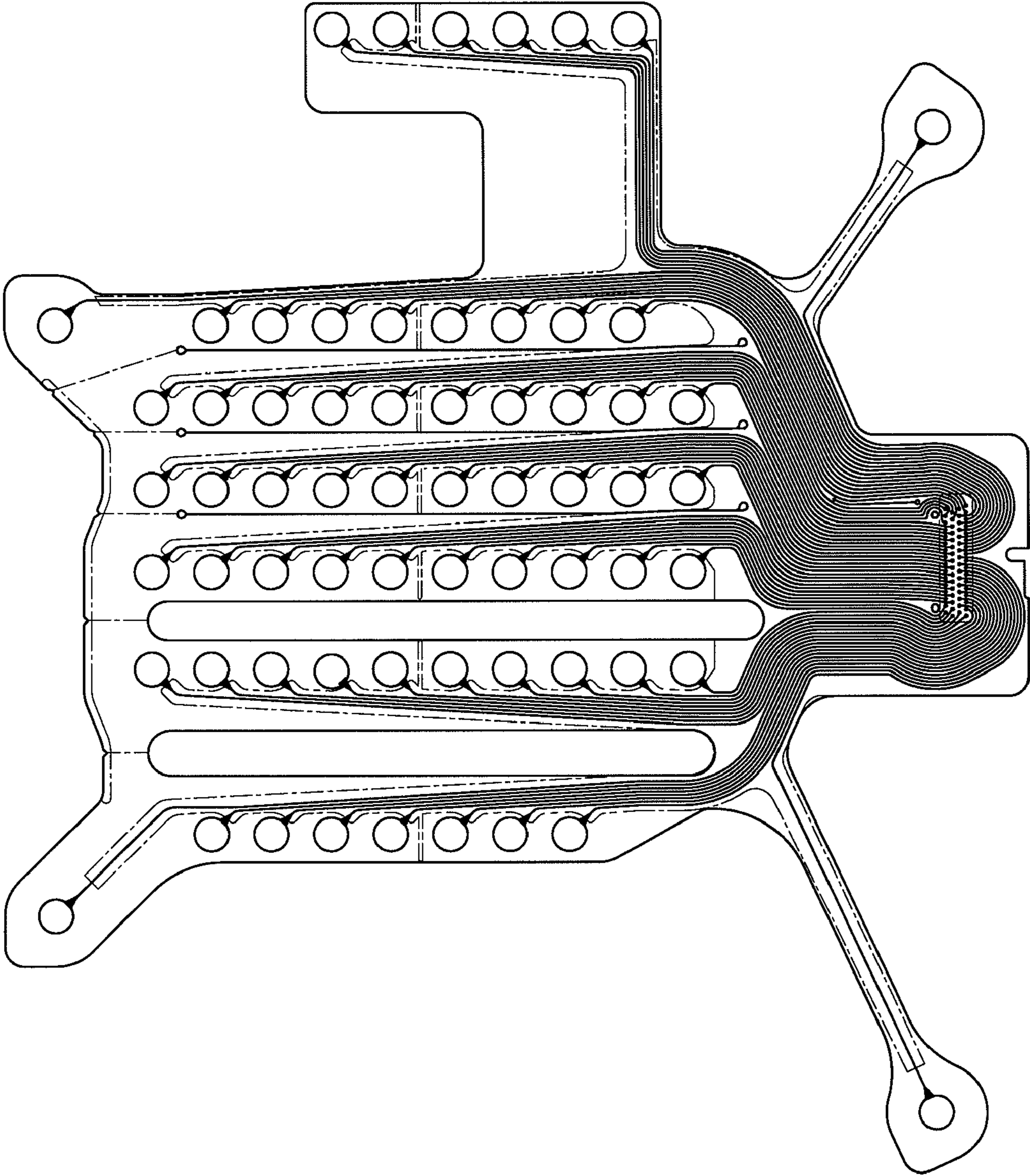


FIG. 1

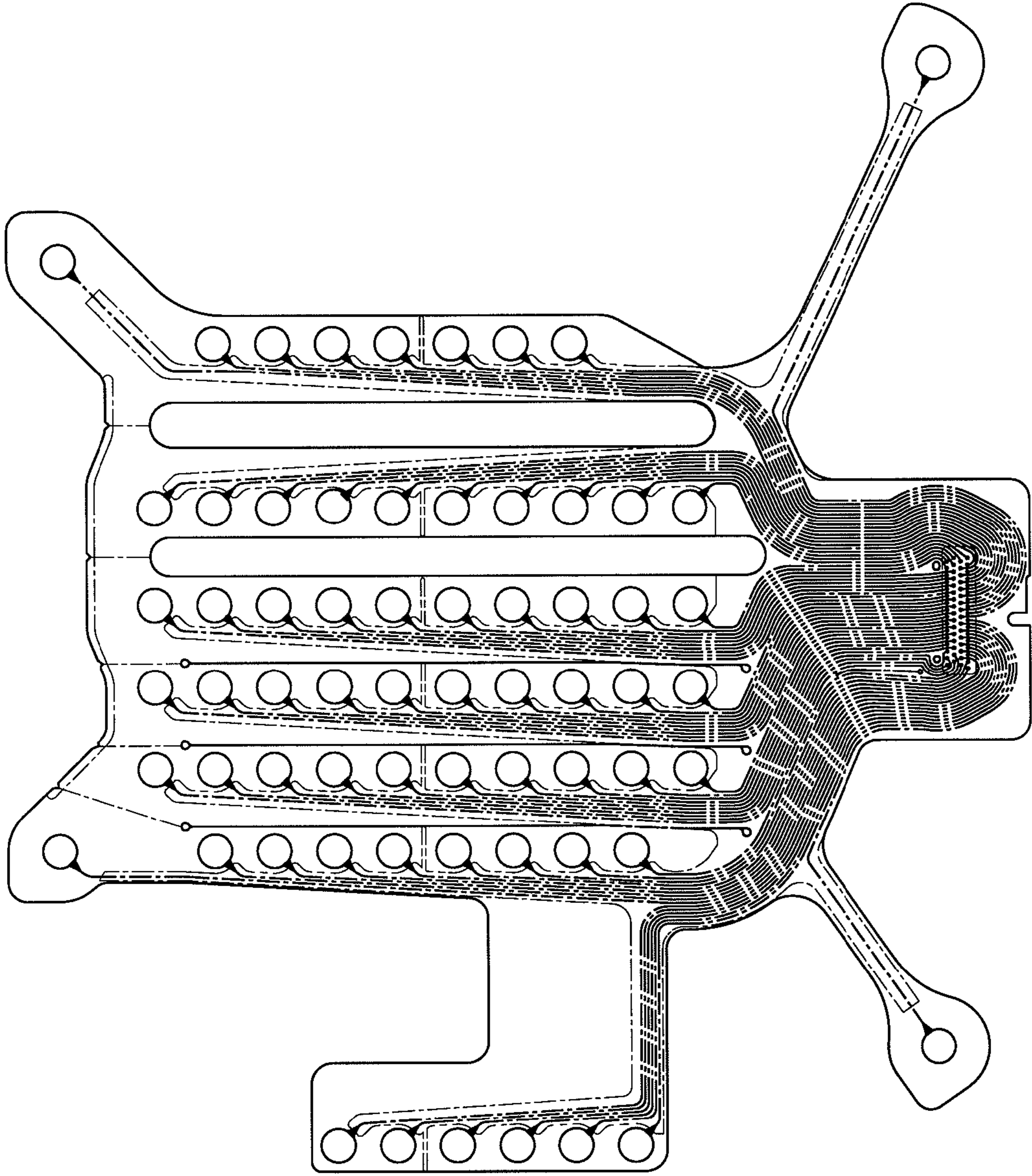


FIG. 2

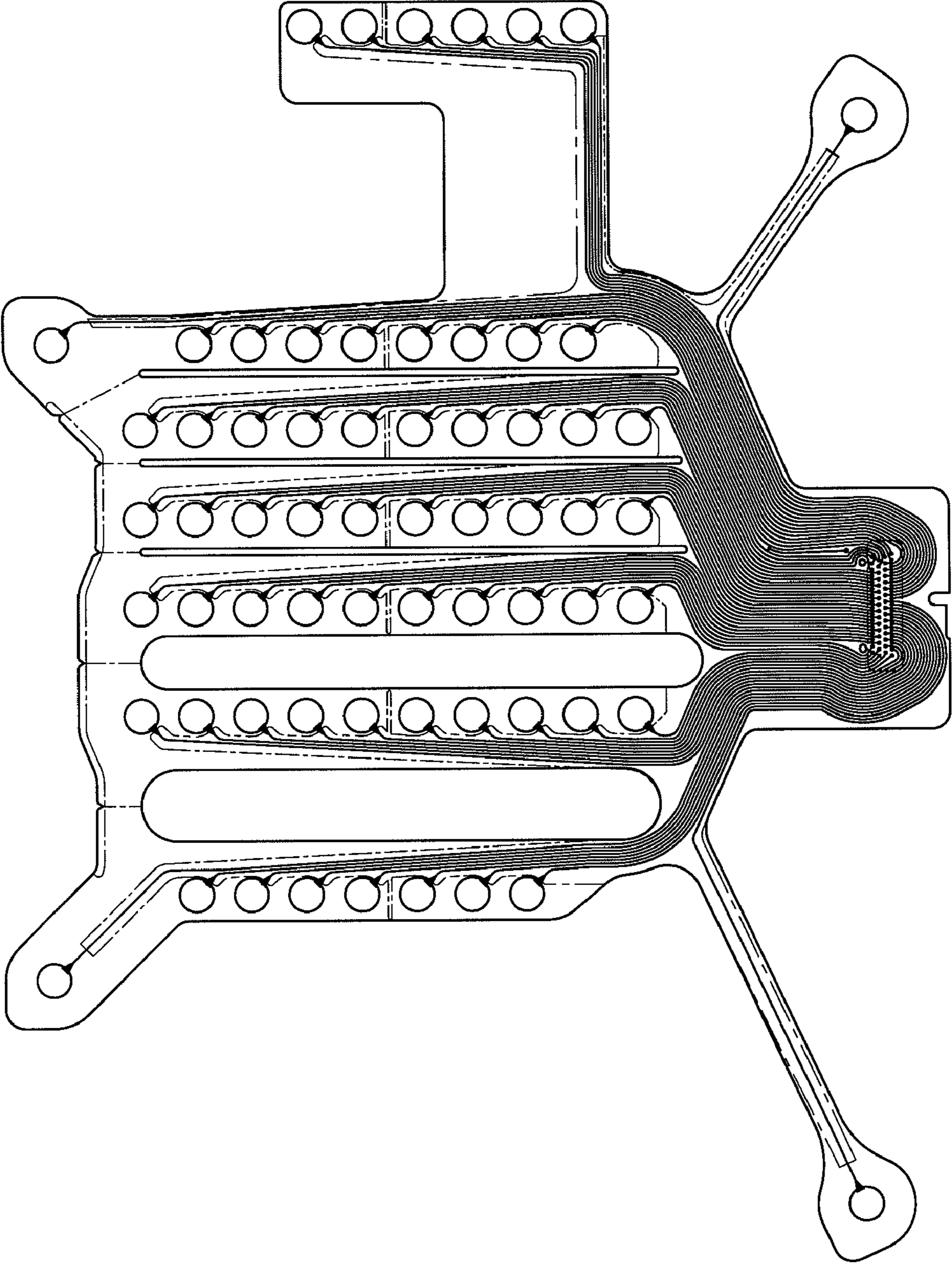


FIG. 3

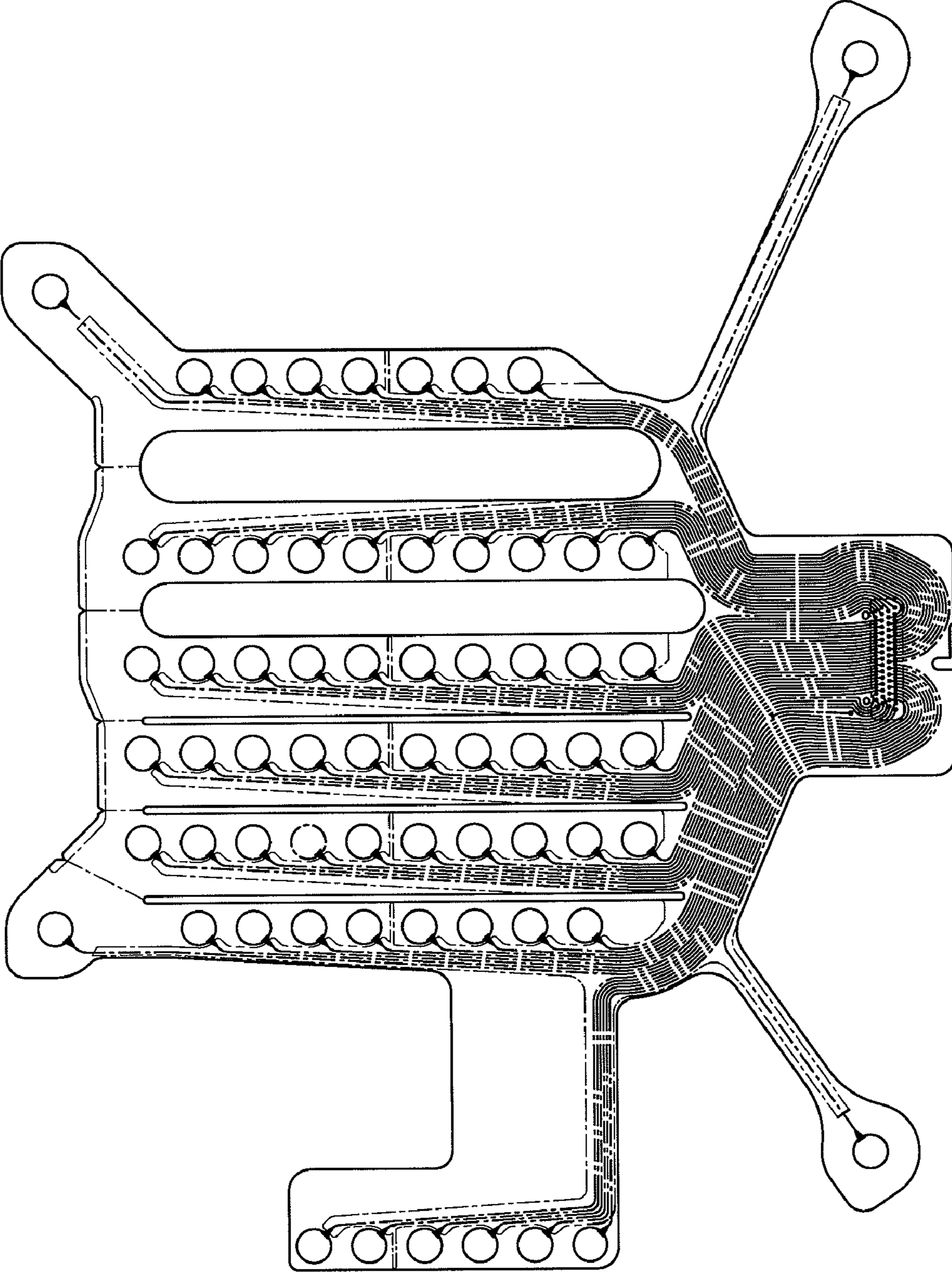


FIG. 4