



US00D607569S

(12) **United States Design Patent**  
**Yukikado et al.**

(10) **Patent No.:** **US D607,569 S**  
(45) **Date of Patent:** **\*\* Jan. 5, 2010**

(54) **BIOCHEMICAL ANALYZER**  
(75) Inventors: **Kouji Yukikado**, Ehime (JP); **Masakazu Mori**, Ehime (JP)  
(73) Assignee: **Panasonic Corporation**, Osaka (JP)  
(\*\*) Term: **14 Years**

D424,956 S \* 5/2000 von Buelow et al. .... D10/81  
D427,315 S 6/2000 Saltzstein et al.  
D430,304 S \* 8/2000 Oonuma et al. .... D24/232  
D446,306 S 8/2001 Ochi et al.  
D459,813 S 7/2002 Ramsey, III  
D460,559 S 7/2002 Knieriem et al.  
D467,349 S \* 12/2002 Niedbala et al. .... D24/232  
D474,280 S \* 5/2003 Niedbala et al. .... D24/232  
D489,816 S 5/2004 Ross

(21) Appl. No.: **29/336,794**  
(22) Filed: **May 8, 2009**

(Continued)

(30) **Foreign Application Priority Data**  
Nov. 18, 2008 (JP) ..... 2008-029585

FOREIGN PATENT DOCUMENTS

JP D733781 5/1988

(Continued)

(51) **LOC (9) Cl.** ..... **24-01**  
(52) **U.S. Cl.** ..... **D24/186; D10/81**  
(58) **Field of Classification Search** ..... D10/81;  
D24/107, 169, 186, 216, 232, 233, 234; 73/864.01,  
73/864.12; 134/21, 22.11, 24, 26-27, 169 R;  
422/62-64, 99, 100; 436/47, 49, 179, 180;  
D13/162; 600/300, 301, 368, 372, 481, 529,  
600/544, 554, 561

*Primary Examiner*—T. Chase Nelson  
*Assistant Examiner*—Mark Cavanna  
(74) *Attorney, Agent, or Firm*—Brinks Hofer Gilson & Lione

See application file for complete search history.

(57) **CLAIM**

We claim the ornamental design for a biochemical analyzer, as shown and described.

(56) **References Cited**  
U.S. PATENT DOCUMENTS

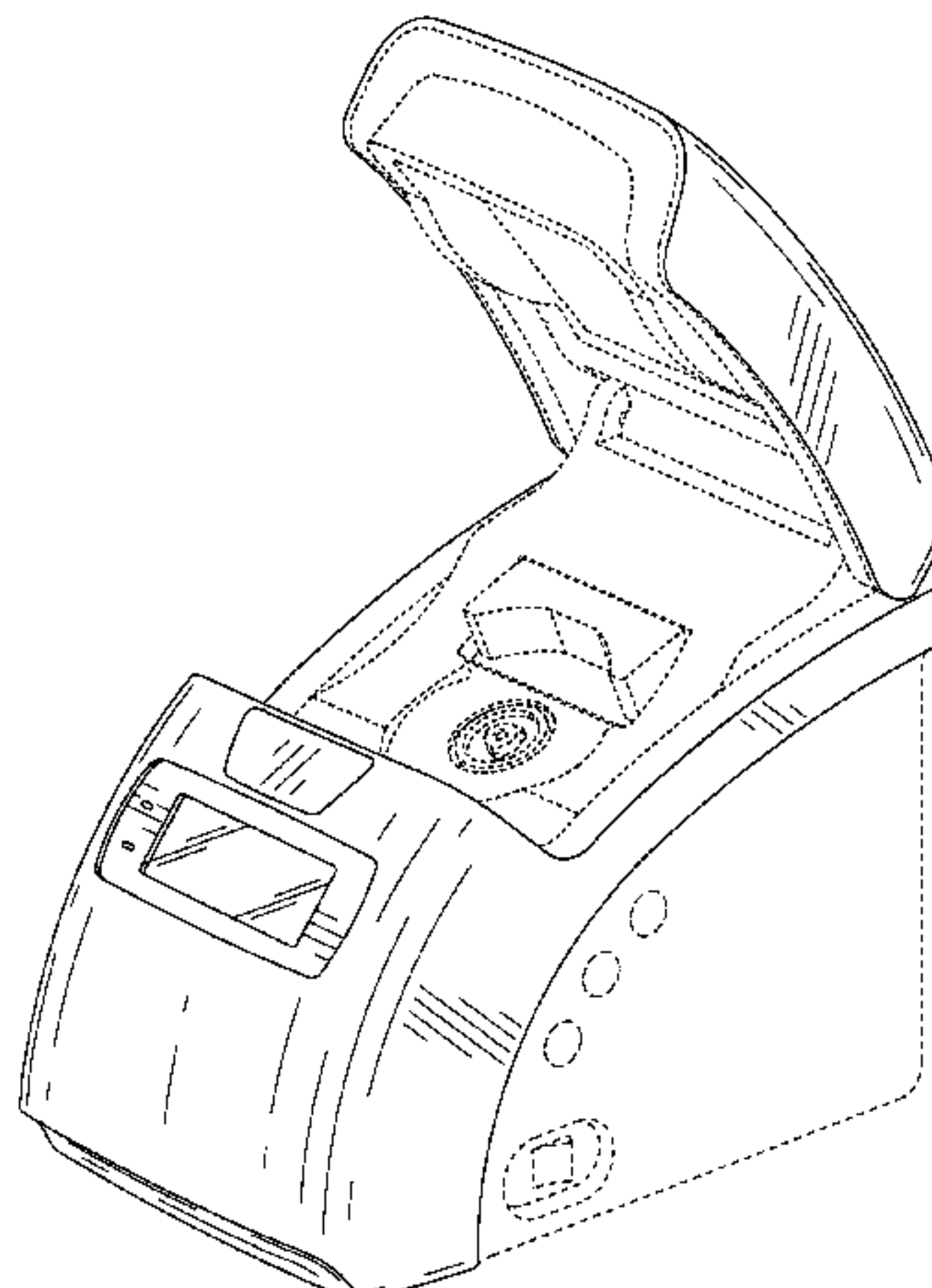
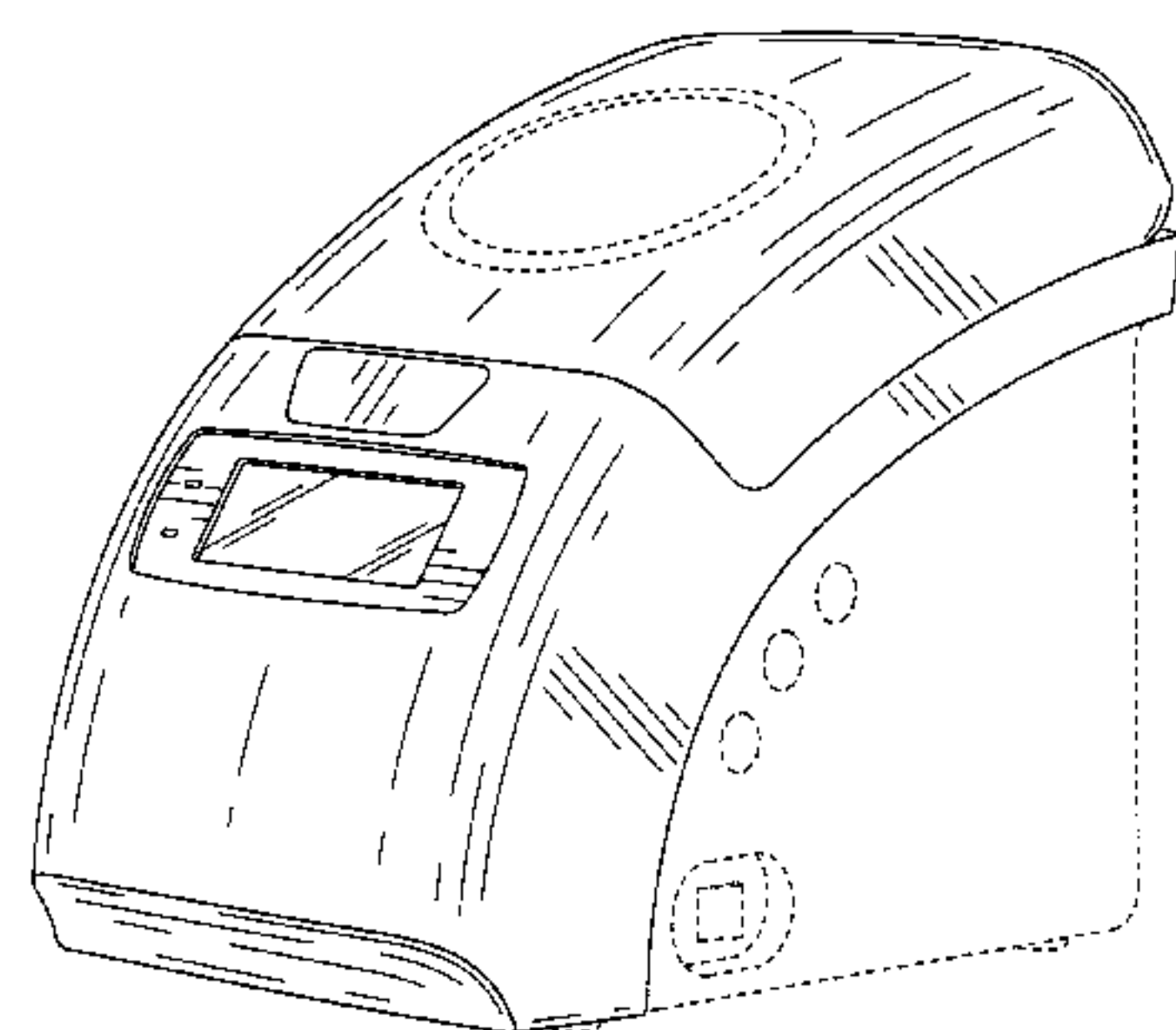
**DESCRIPTION**

D262,994 S 2/1982 Holler, Jr. et al.  
D297,763 S 9/1988 Daynes  
D298,166 S 10/1988 Chennault  
D307,321 S 4/1990 Bransky et al.  
D320,450 S \* 10/1991 Hicaro et al. .... D24/107  
D330,596 S 10/1992 Frenkel et al.  
D334,237 S 3/1993 Collister et al.  
D338,419 S \* 8/1993 Frenkel et al. .... D10/81  
D339,639 S 9/1993 Ohnuma et al.  
D340,769 S 10/1993 Bloom et al.  
D377,832 S 2/1997 Jacober et al.  
D381,749 S 7/1997 Lawrence et al.  
D381,756 S \* 7/1997 Ohnuma et al. .... D24/231  
D393,072 S 3/1998 Rogler  
D395,513 S 6/1998 Rogler  
D400,673 S \* 11/1998 Kheiri et al. .... D24/107  
D404,140 S \* 1/1999 Meguro ..... D24/232

FIG. 1 is a front perspective view of a biochemical analyzer of the present invention;  
FIG. 2 is a rear perspective view thereof;  
FIG. 3 is a front view thereof;  
FIG. 4 is a rear view thereof;  
FIG. 5 is a first side view thereof;  
FIG. 6 is a second side view thereof;  
FIG. 7 is a top view thereof;  
FIG. 8 is a bottom view thereof; and,  
FIG. 9 is a front perspective view thereof shown with the cover in an opened position.

The broken line showing of biochemical analyzer is included for the purpose of illustrating environment and forms no part of the claimed design.

**1 Claim, 9 Drawing Sheets**



# US D607,569 S

Page 2

## U.S. PATENT DOCUMENTS

D497,995 S 11/2004 Baily et al.  
D508,999 S \* 8/2005 Fanning et al. .... D24/216  
D527,464 S \* 8/2006 Ina et al. .... D24/216  
D535,403 S \* 1/2007 Isozaki et al. .... D24/232  
D536,794 S 2/2007 Knieriem et al.  
D536,795 S 2/2007 Knieriem et al.  
D537,951 S \* 3/2007 Okamoto et al. .... D24/233  
D549,827 S \* 8/2007 Maeno et al. .... D24/169  
D549,831 S 8/2007 Ward et al.  
D554,069 S \* 10/2007 Bolotin et al. .... D13/162  
D554,070 S \* 10/2007 Bolotin et al. .... D13/162  
D554,263 S 10/2007 Al-Ali et al.  
D556,914 S \* 12/2007 Okamoto et al. .... D24/233  
D560,131 S 1/2008 Hu  
D571,474 S 6/2008 Sjo-Gaber et al.  
D571,480 S \* 6/2008 Beck et al. .... D24/232  
D581,823 S 12/2008 Mori et al.  
D588,276 S \* 3/2009 Isozaki et al. .... D24/232  
D590,506 S 4/2009 Krishnan  
D590,507 S 4/2009 Krishnan

D591,864 S \* 5/2009 Schmidt ..... D24/216

## FOREIGN PATENT DOCUMENTS

JP D822801-3 9/1995  
JP D989599 9/1997  
JP D1059351 1/2000  
JP D1062108 2/2000  
JP D1113535 7/2001  
JP D1143332 6/2002  
JP D1160110 12/2002  
JP D1194038 1/2004  
JP D1210406 6/2004  
JP D1210407 6/2004  
JP D1210408 6/2004  
JP D1211556 7/2004  
JP D1223232 11/2004  
JP D1223934 11/2004  
JP D1267696 4/2006  
JP D1269488 4/2006  
JP D1269499 4/2006  
JP D1223907 11/2007  
JP D1223943 11/2007

\* cited by examiner

FIG.1

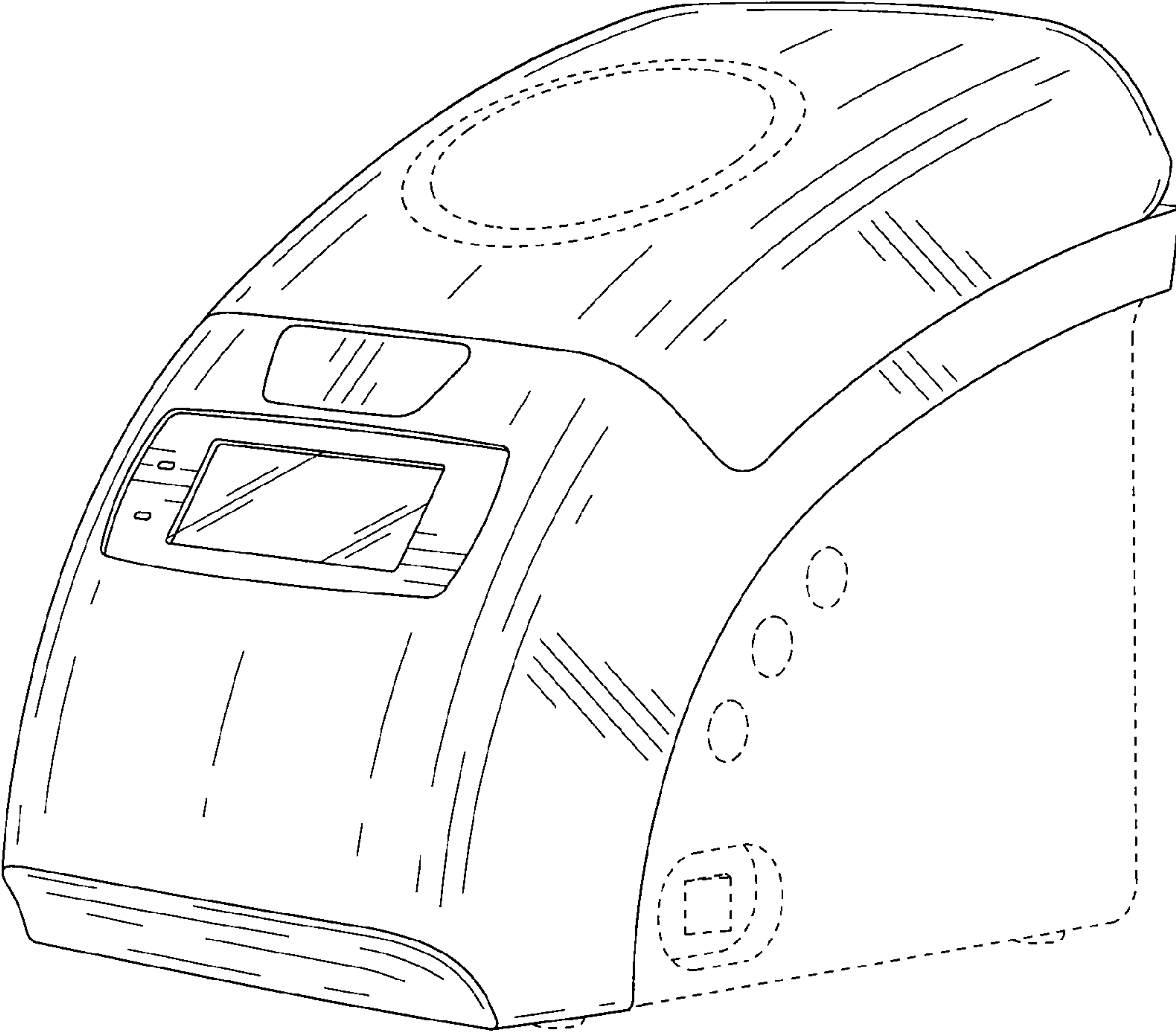


FIG.2

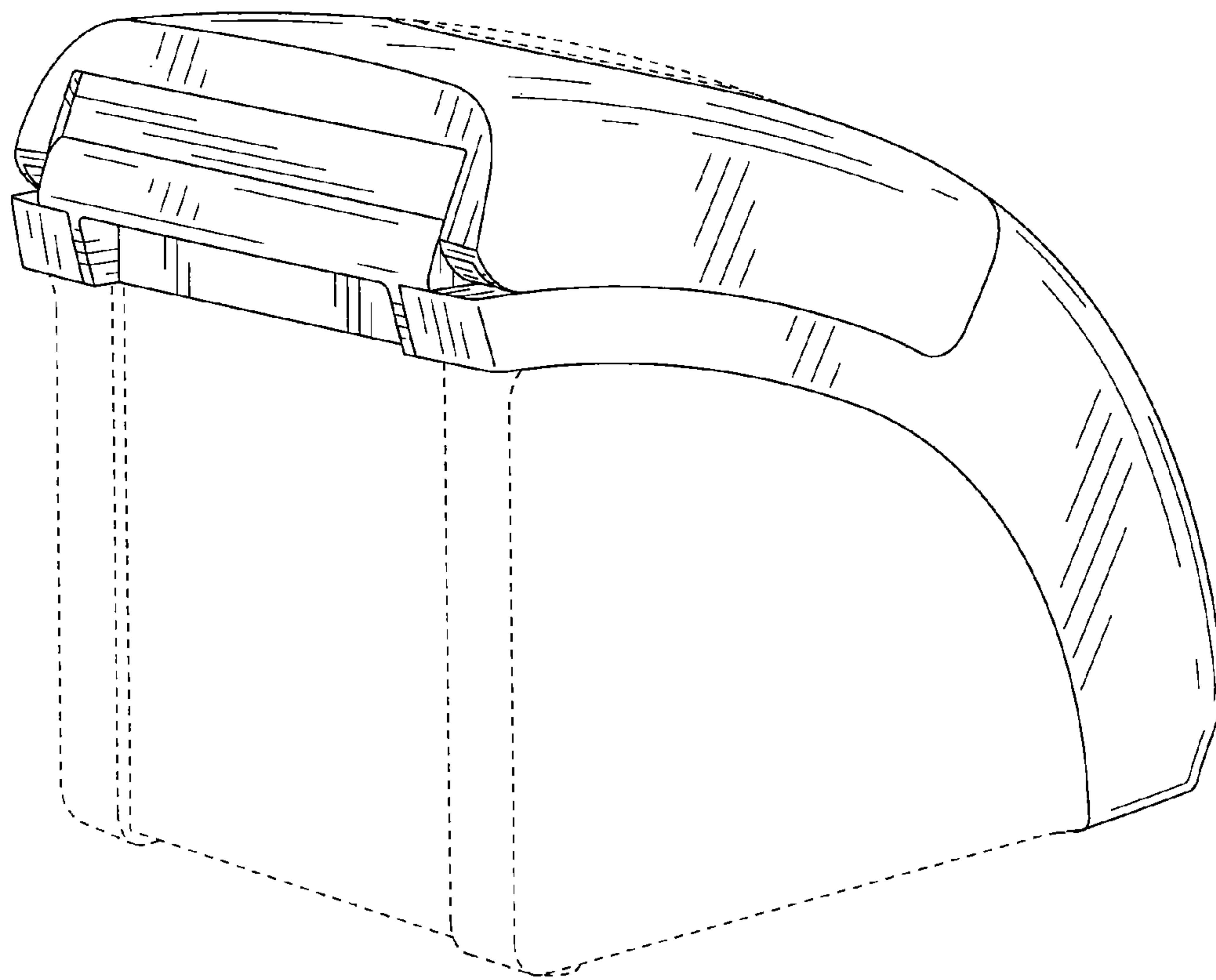


FIG.3

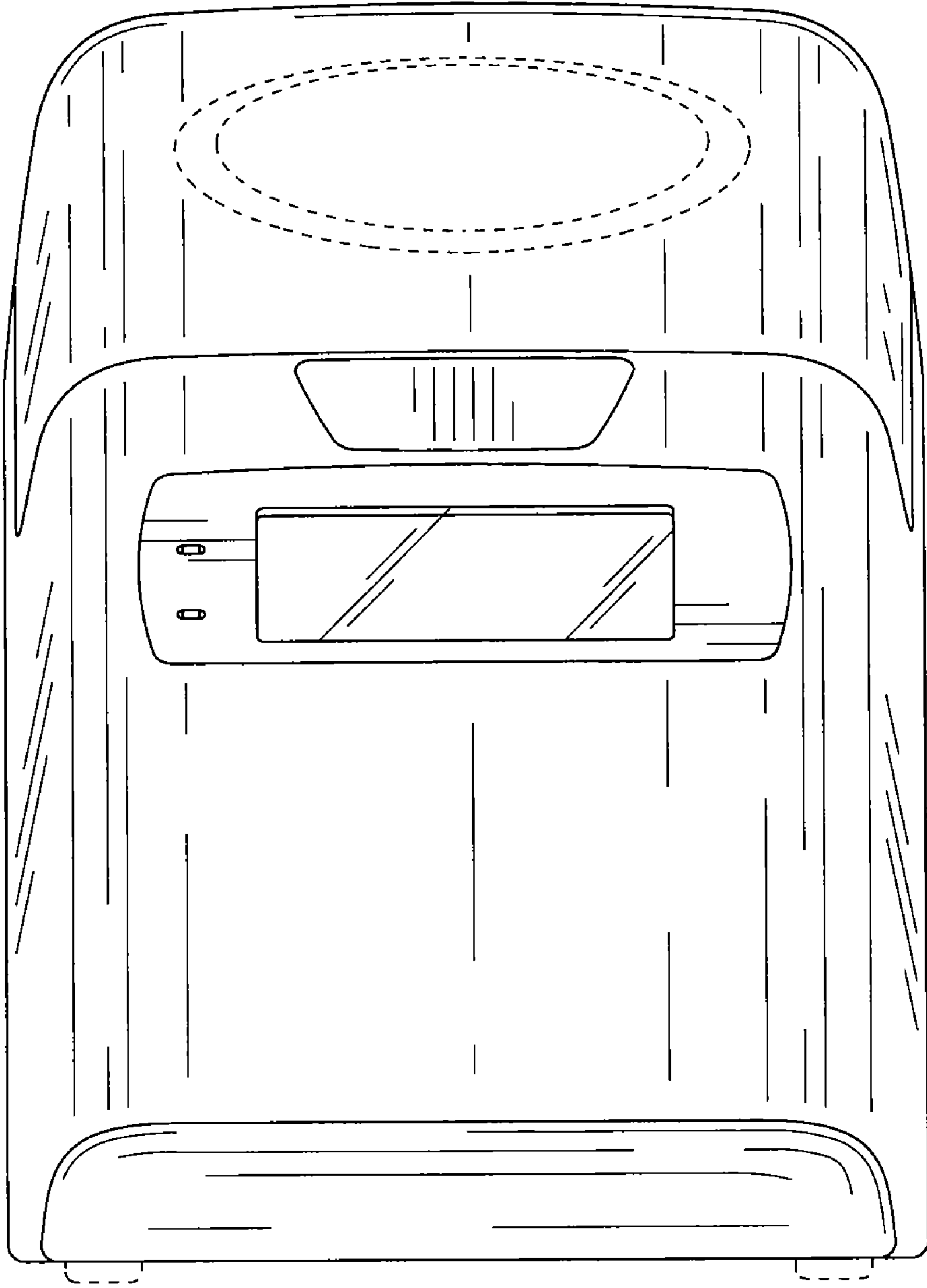


FIG.4

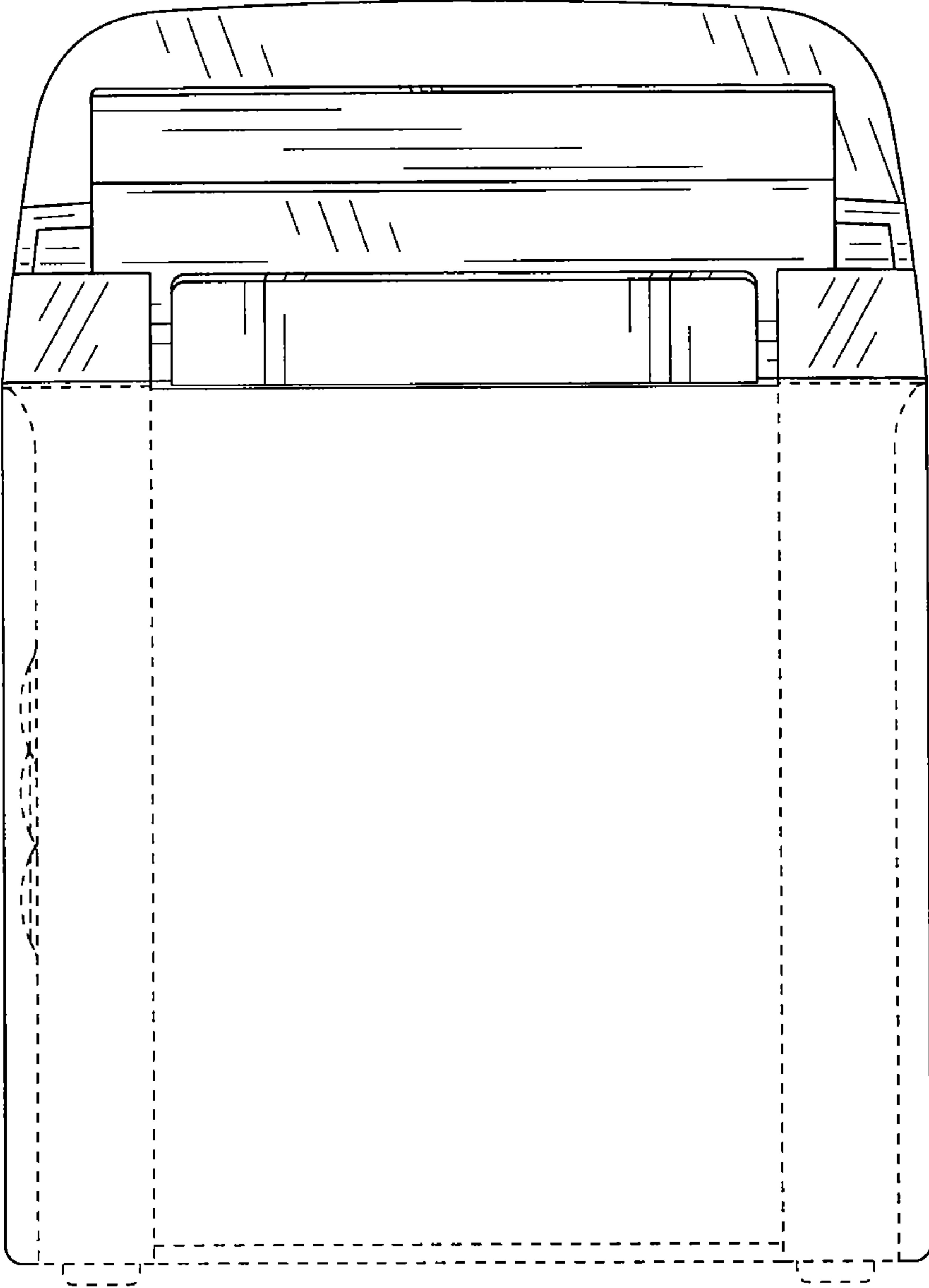




FIG.5

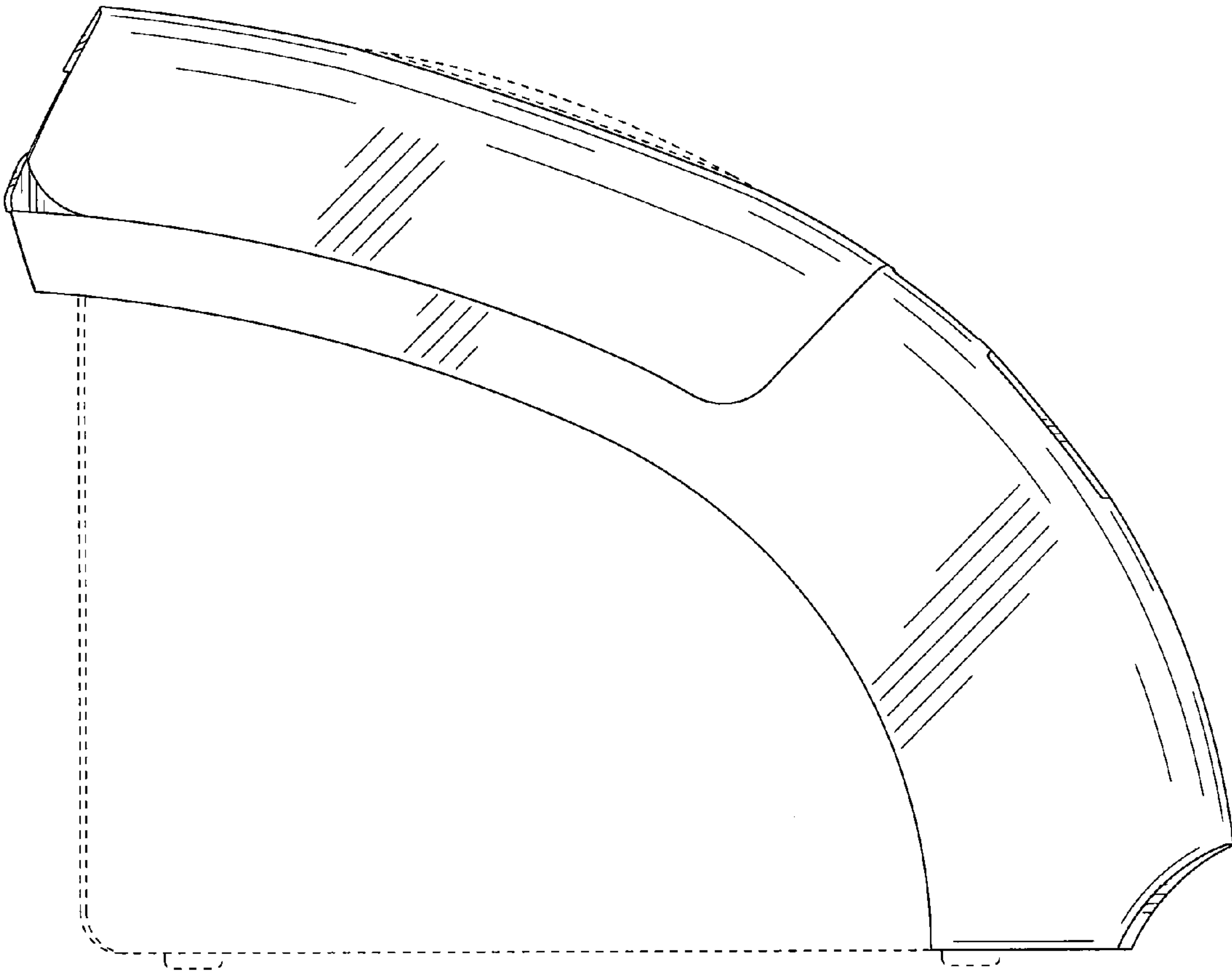


FIG.6

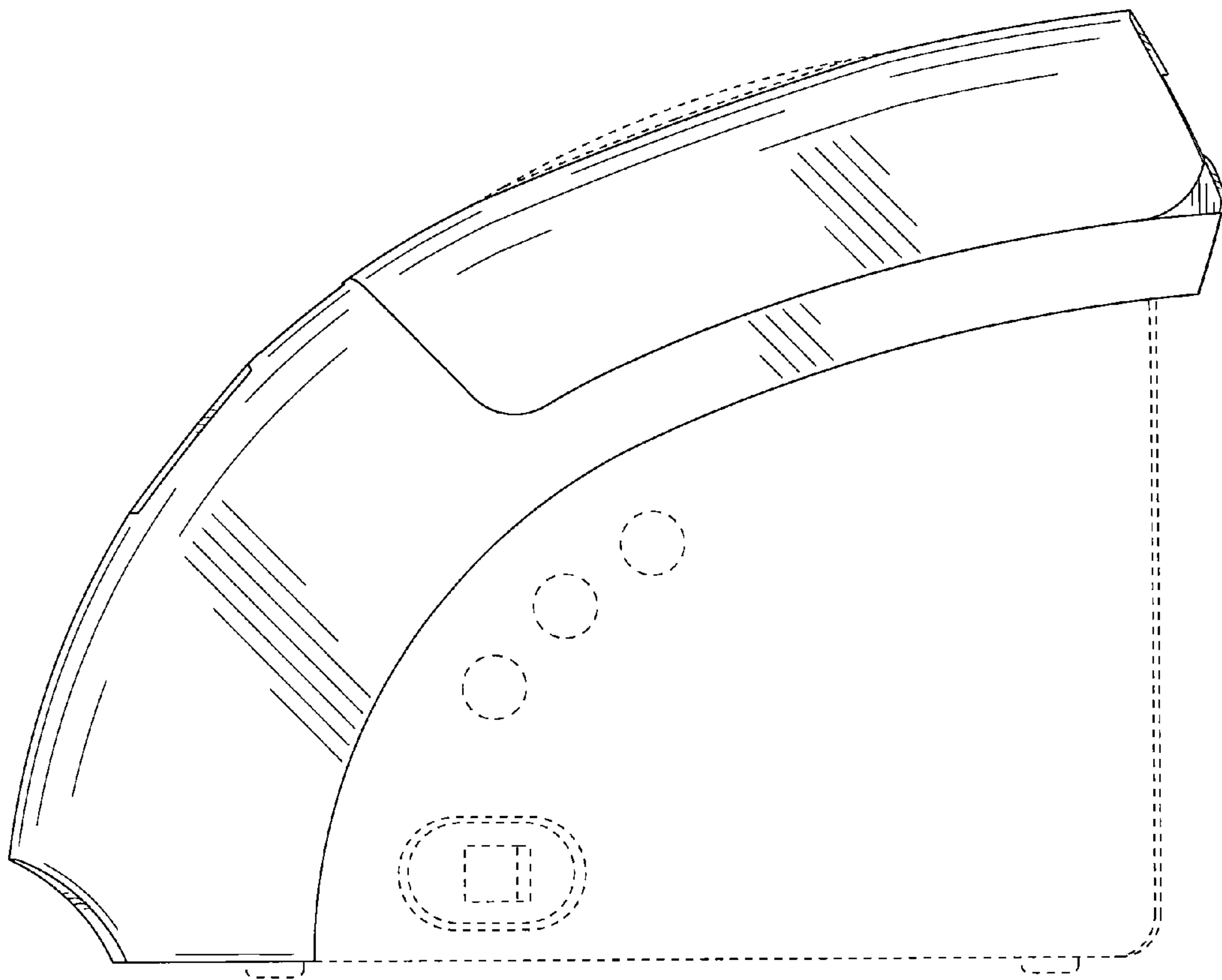




FIG.7

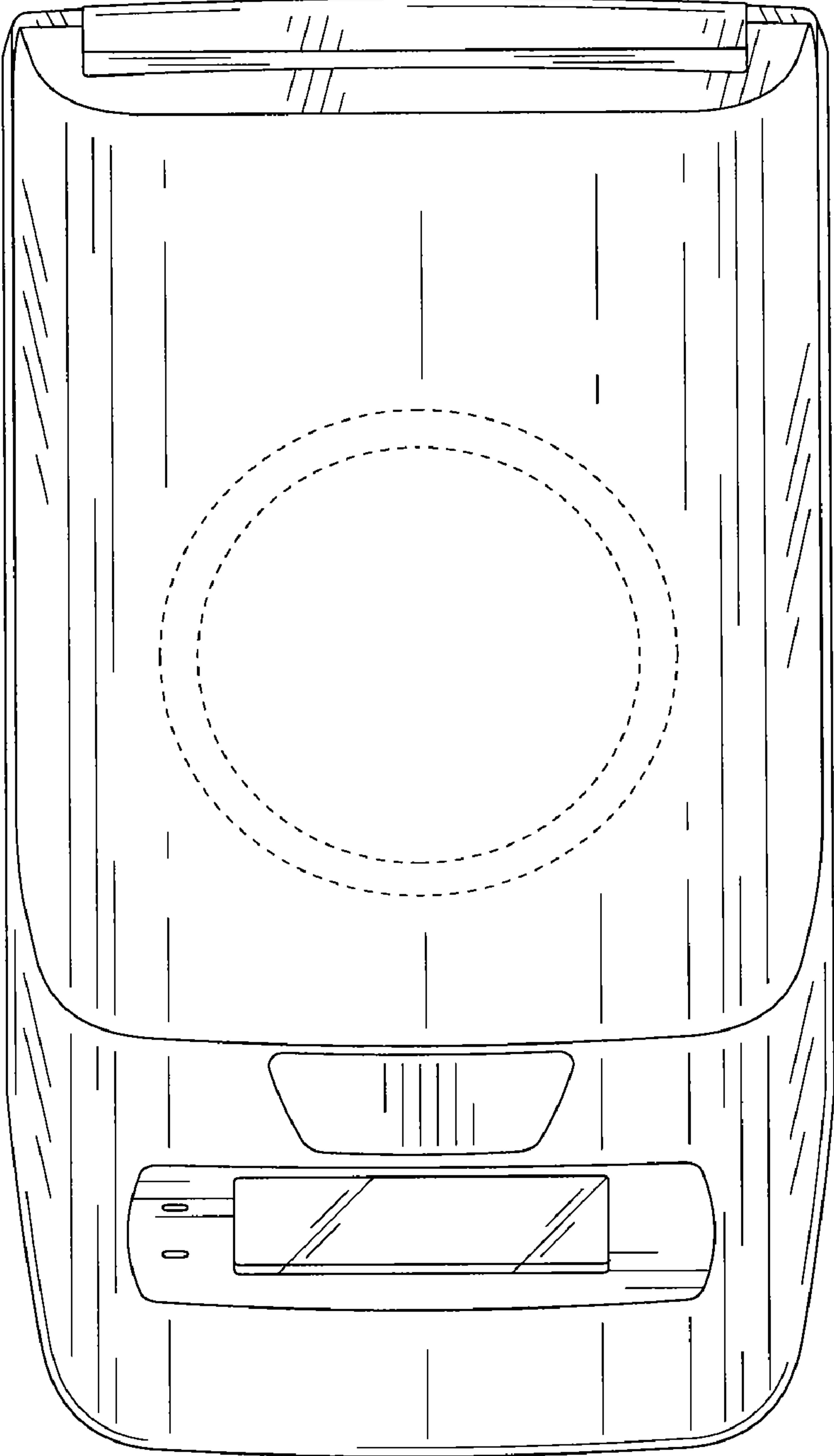


FIG.8

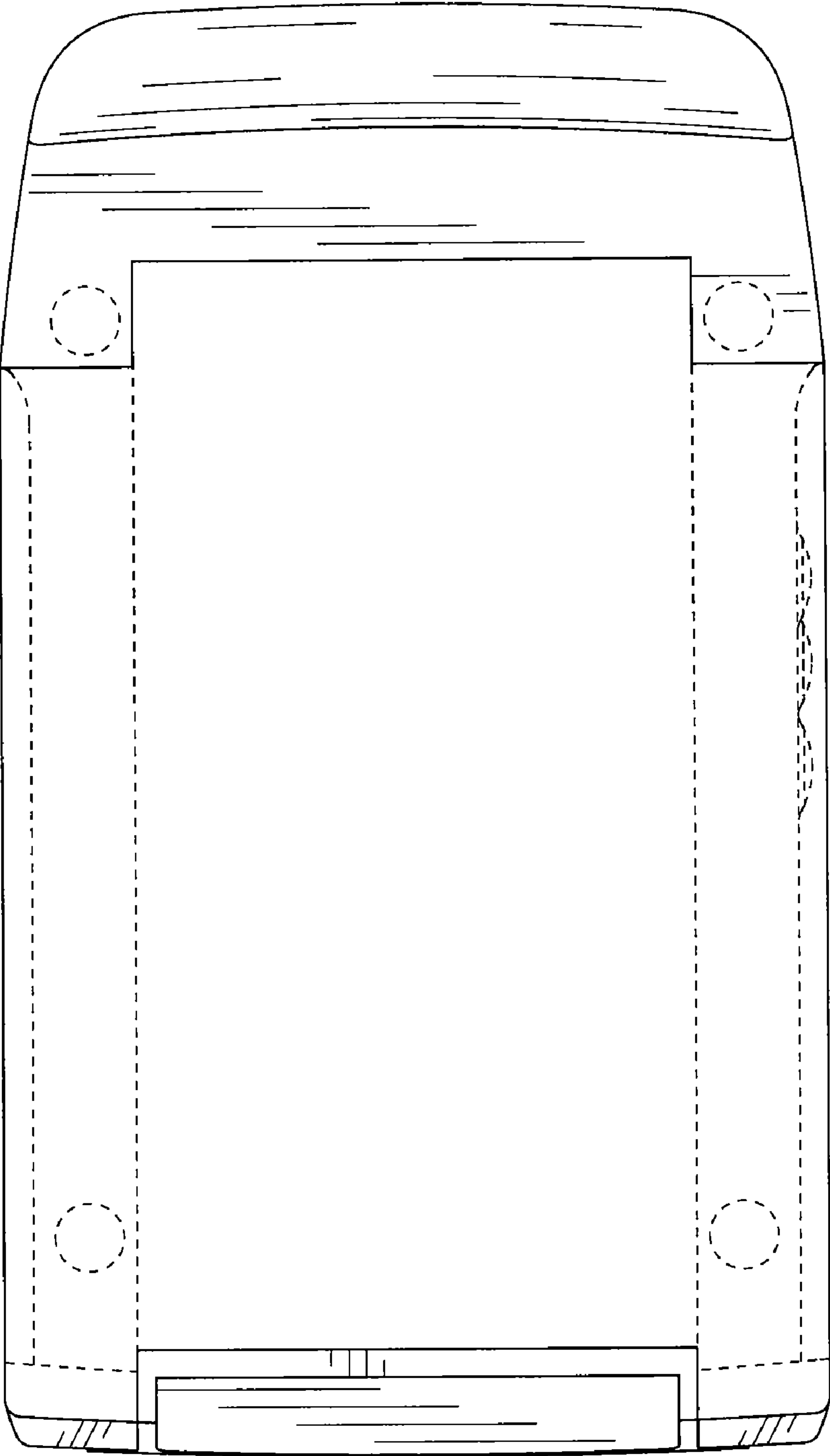


FIG.9

