



US00D607563S

(12) **United States Design Patent**
Hull et al.

(10) **Patent No.:** **US D607,563 S**
(45) **Date of Patent:** **** Jan. 5, 2010**

(54) **PERSONAL CARE DEVICE**

(57) **CLAIM**

(75) Inventors: **Ray Hull**, Hampton, NJ (US); **Allison S. Conner**, Brooklyn, NY (US); **Silas Warren**, Brooklyn, NY (US)

We claim the ornamental design for a personal care device, as shown and described.

(73) Assignee: **Neutrogena Corporation**, Los Angeles, CA (US)

DESCRIPTION

(**) Term: **14 Years**

FIG. 1 is a front, right, top perspective view of the personal care device, but with selected portions being illustrated in broken lines and thus not forming a part of the claimed design;

(21) Appl. No.: **29/329,059**

FIG. 2 is a front elevational view of the personal care device of FIG. 1;

(22) Filed: **Dec. 8, 2008**

FIG. 3 is a right side elevational view of the personal care device of FIG. 1, the left side elevational view being a mirror image thereof;

(51) **LOC (9) Cl.** **24-01**

(52) **U.S. Cl.** **D24/146**

(58) **Field of Classification Search** D24/133,
D24/146, 147, 214; 606/131, 41; D28/52-62,
D28/63; 601/1, 15, 46, 9

See application file for complete search history.

FIG. 4 is a back elevational view of the personal care device of FIG. 1;

(56) **References Cited**

U.S. PATENT DOCUMENTS

D397,513 S 8/1998 Tu et al.
D596,744 S * 7/2009 Hull et al. D24/146

FIG. 5 is a top end view of the personal care device of FIG. 1; and,

FIG. 6 is a bottom end view of the personal care device of FIG. 1.

* cited by examiner

The broken line showing of portions of the personal care device is included for the purpose of illustrating environmental structure and forms no part of the claimed design.

Primary Examiner—Lisa P Lichtenstein
(74) *Attorney, Agent, or Firm*—Karen G. Horowitz

1 Claim, 5 Drawing Sheets

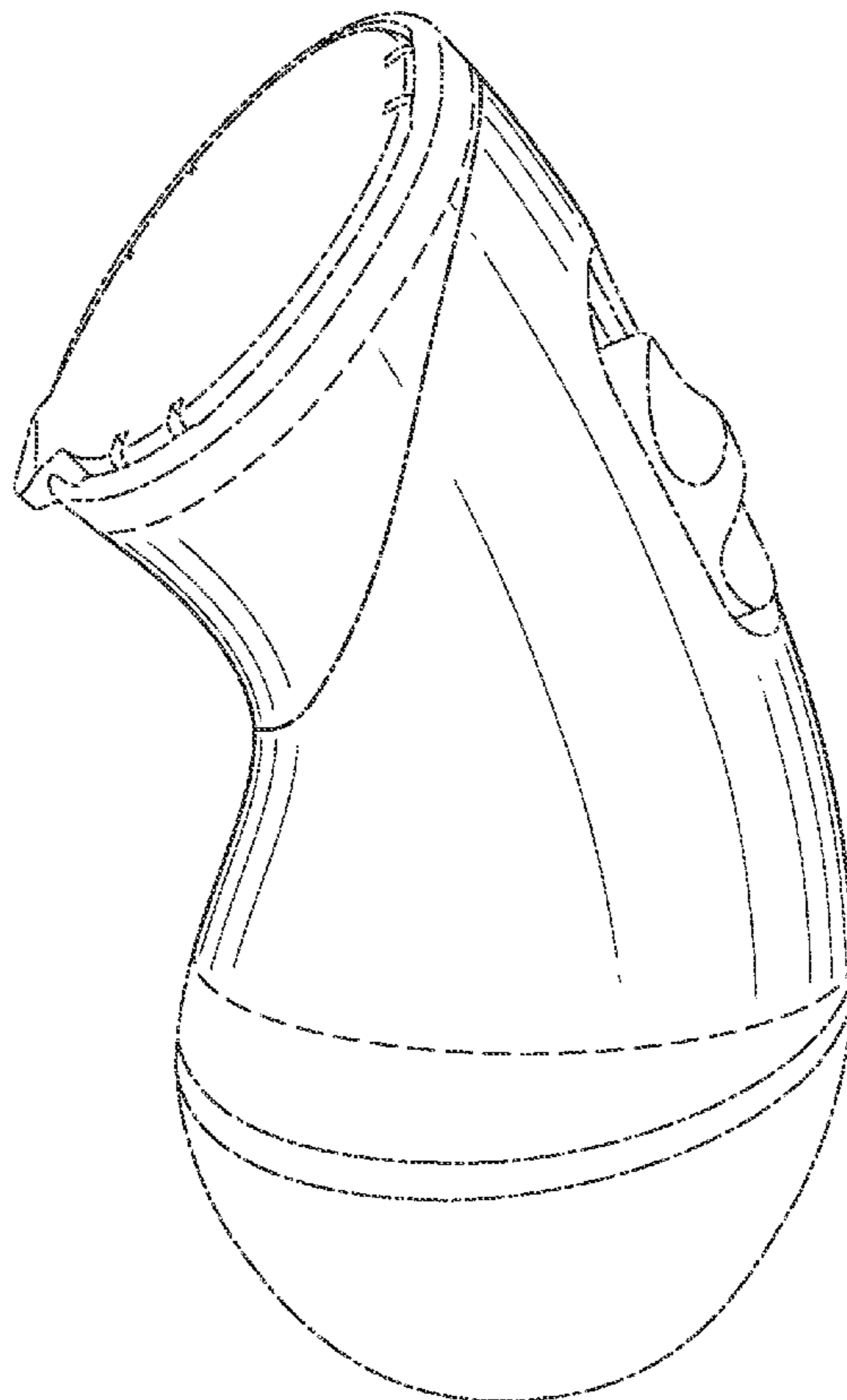


FIG. 1

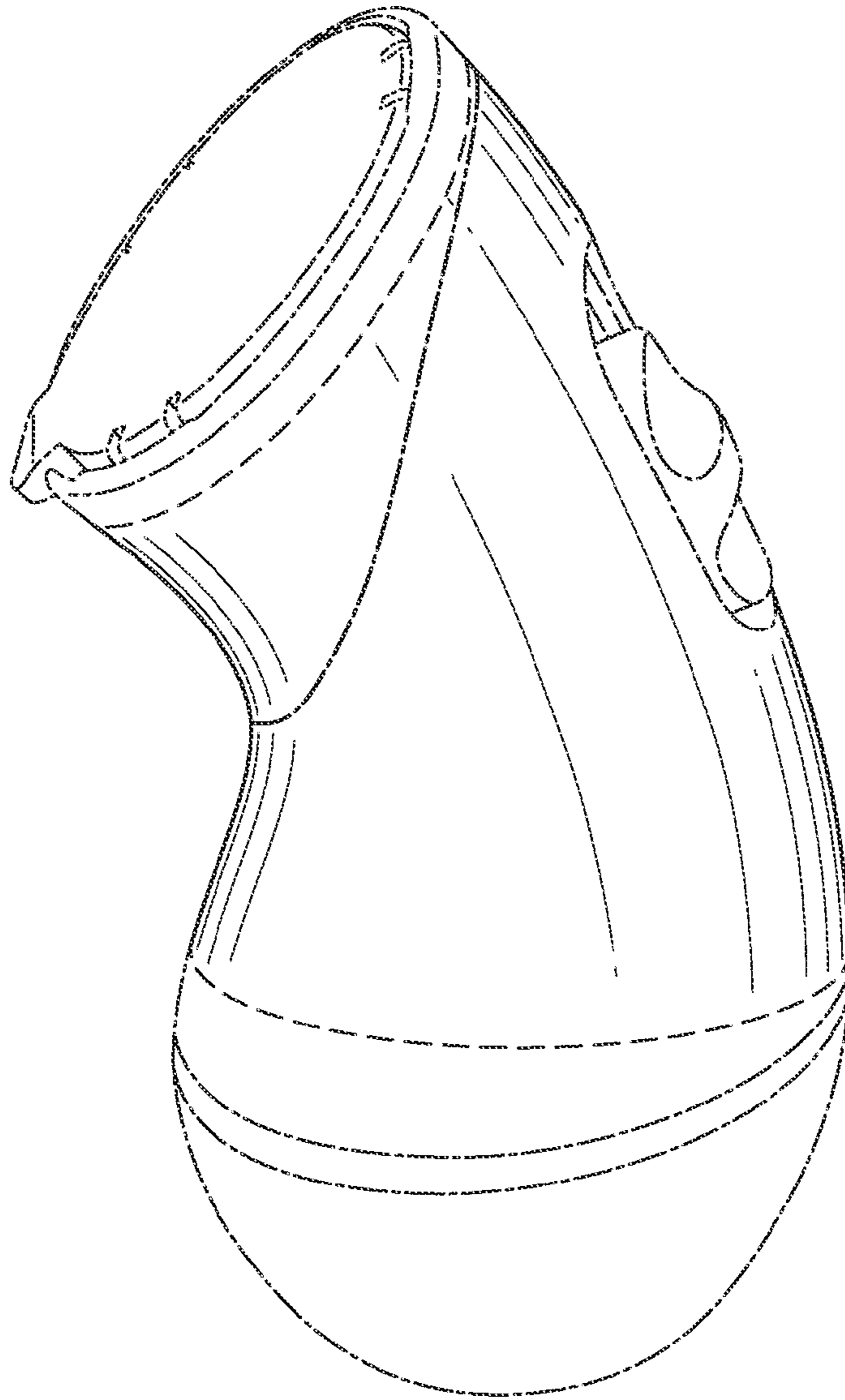


FIG. 2

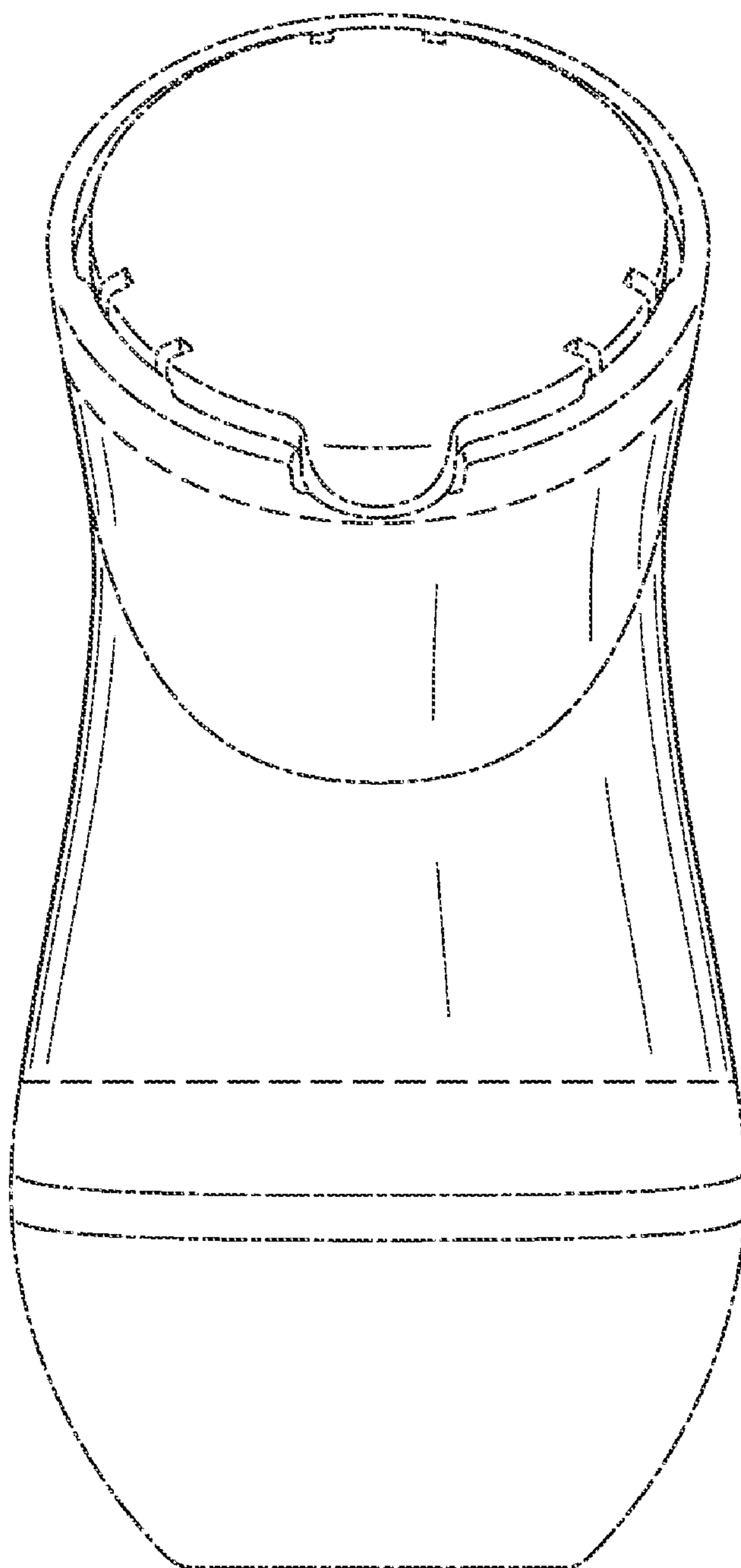


FIG. 3

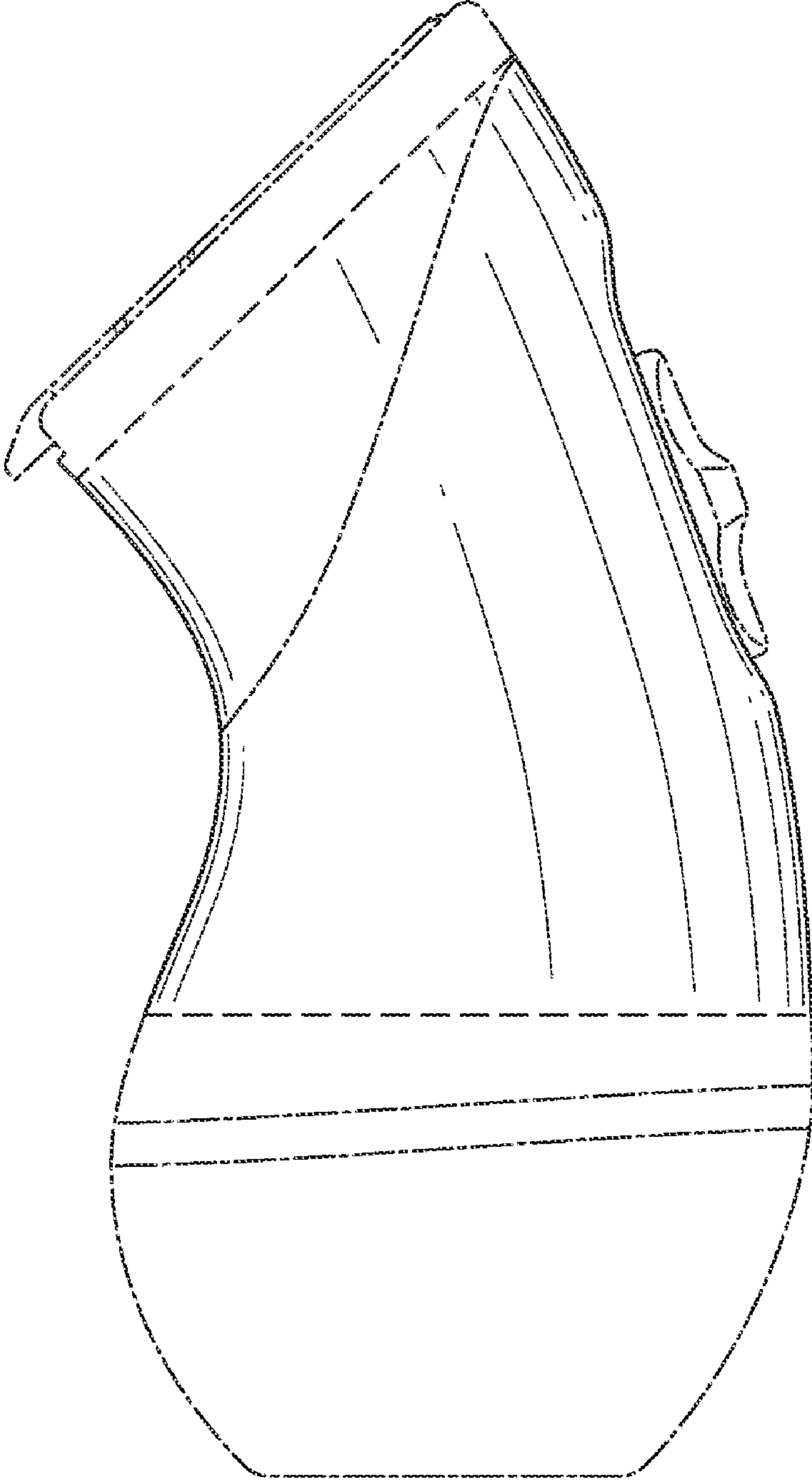


FIG. 4

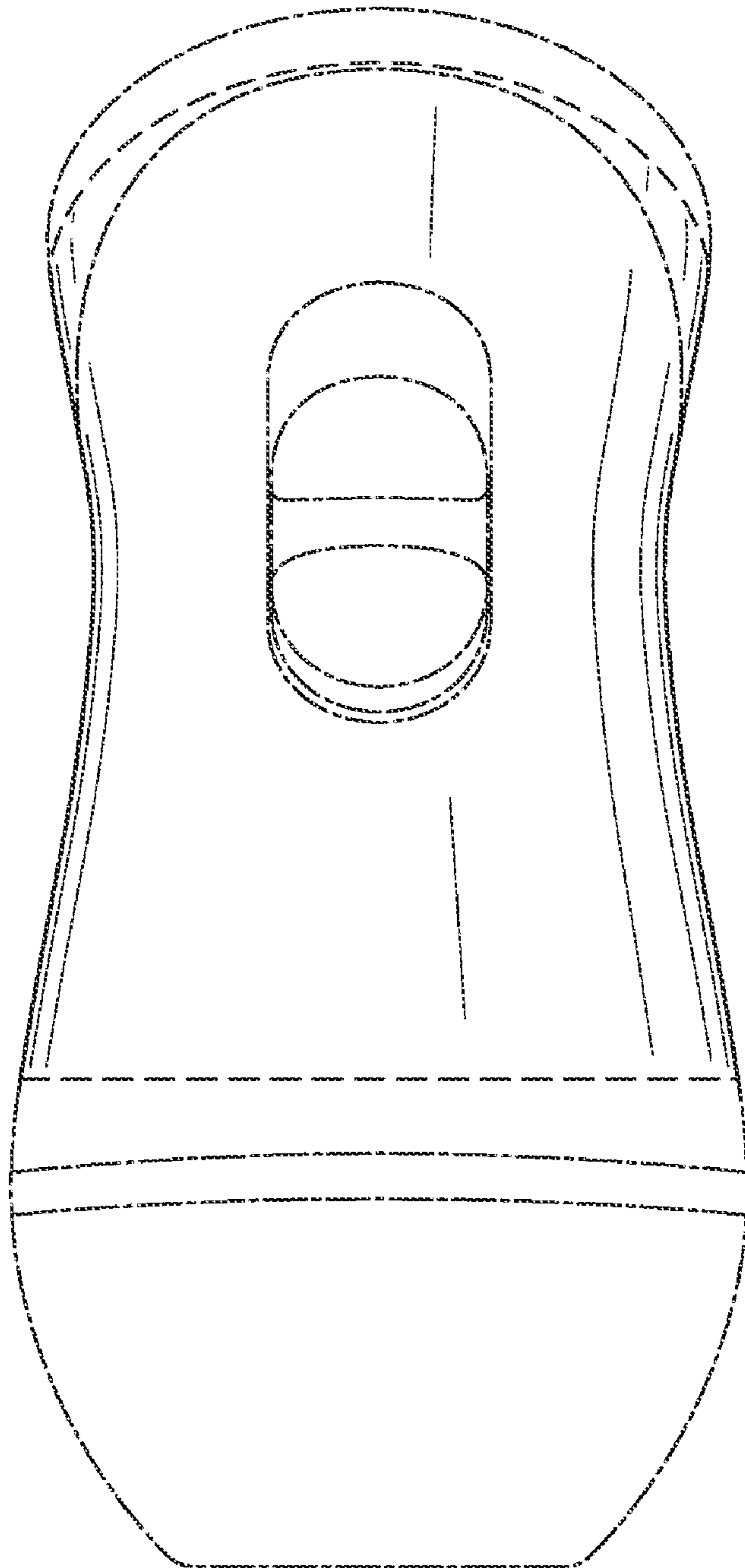


FIG. 5

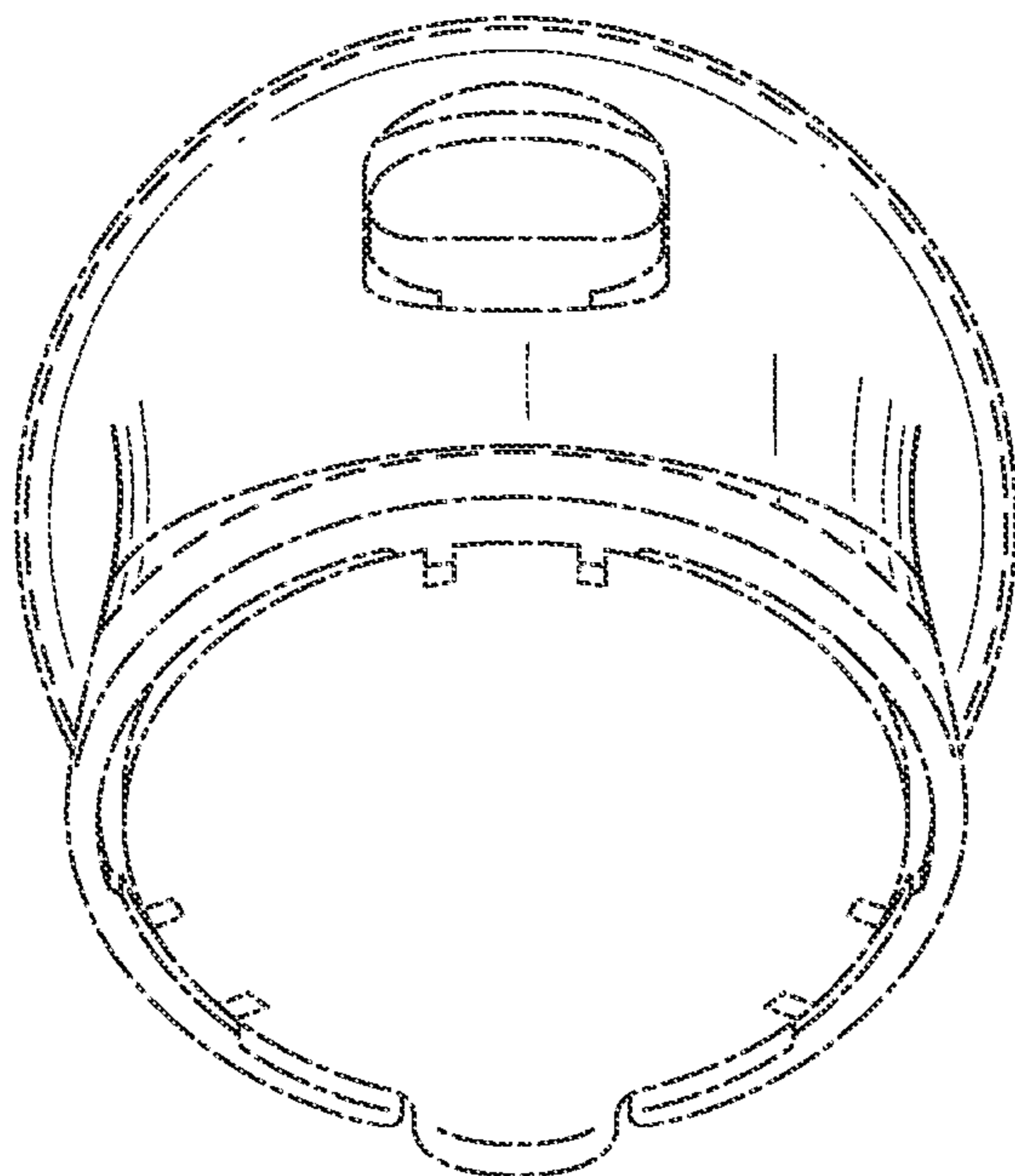


FIG. 6

