

US00D607562S

(12) **United States Design Patent**
Heine et al.

(10) **Patent No.:** **US D607,562 S**

(45) **Date of Patent:** **** Jan. 5, 2010**

(54) **OPHTHALMOSCOPE**

D552,736 S * 10/2007 Yamaoka D24/172
7,387,384 B2 * 6/2008 Heine et al. 351/205

(75) Inventors: **Helmut Heine**, Diessen (DE); **Oliver Heine**, Herrsching (DE); **Dirk Schade**, Penzberg (DE); **Wolfgang Behrendt**, Seefeld (DE)

(73) Assignee: **Heine Optotechnik GmbH & Co., KG**, Herrsching (DE)

(**) Term: **14 Years**

(21) Appl. No.: **29/259,259**

(22) Filed: **May 5, 2006**

(30) **Foreign Application Priority Data**

Nov. 11, 2005 (EM) 000438569-0001

(51) **LOC (9) Cl.** **24-02**

(52) **U.S. Cl.** **D24/137; D24/150**

(58) **Field of Classification Search** D24/137,
D24/138, 150, 172; 351/218, 200, 221, 216,
351/222, 225, 243, 244, 246; 600/200, 175
See application file for complete search history.

(56) **References Cited**

U.S. PATENT DOCUMENTS

4,681,413 A * 7/1987 Schmidt et al. 351/205
4,684,227 A * 8/1987 Schmidt et al. 351/205
4,807,987 A * 2/1989 Bastable et al. 351/205
D393,066 S * 3/1998 Laun et al. D24/137
5,815,241 A * 9/1998 Heine et al. 351/220
6,149,273 A * 11/2000 Matthews 351/221
D493,528 S * 7/2004 Roberts et al. D24/137
D493,887 S * 8/2004 Roberts et al. D24/137

OTHER PUBLICATIONS

Heine Sigma 150 Indirektes Binokulares Ophthalmoskop, Heine Gesamtkatalog 2005, p. 41, printed in Germany in Nov. 2004.
Heine Omega 180 Indirektes Binokulares Ophthalmoskop, Heine Gesamtkatalog 2005, p. 42, printed in Germany in Nov. 2004.

* cited by examiner

Primary Examiner—Ian Simmons
Assistant Examiner—Carissa C Fitts

(74) *Attorney, Agent, or Firm*—Rothwell, Figg, Ernst & Manbeck, PC

(57) **CLAIM**

The ornamental design of an ophthalmoscope, as shown and described.

DESCRIPTION

FIG. 1 is a side elevational view of an ophthalmoscope in accordance with the present invention.

FIG. 2 is a rear elevational view of the ophthalmoscope of FIG. 1.

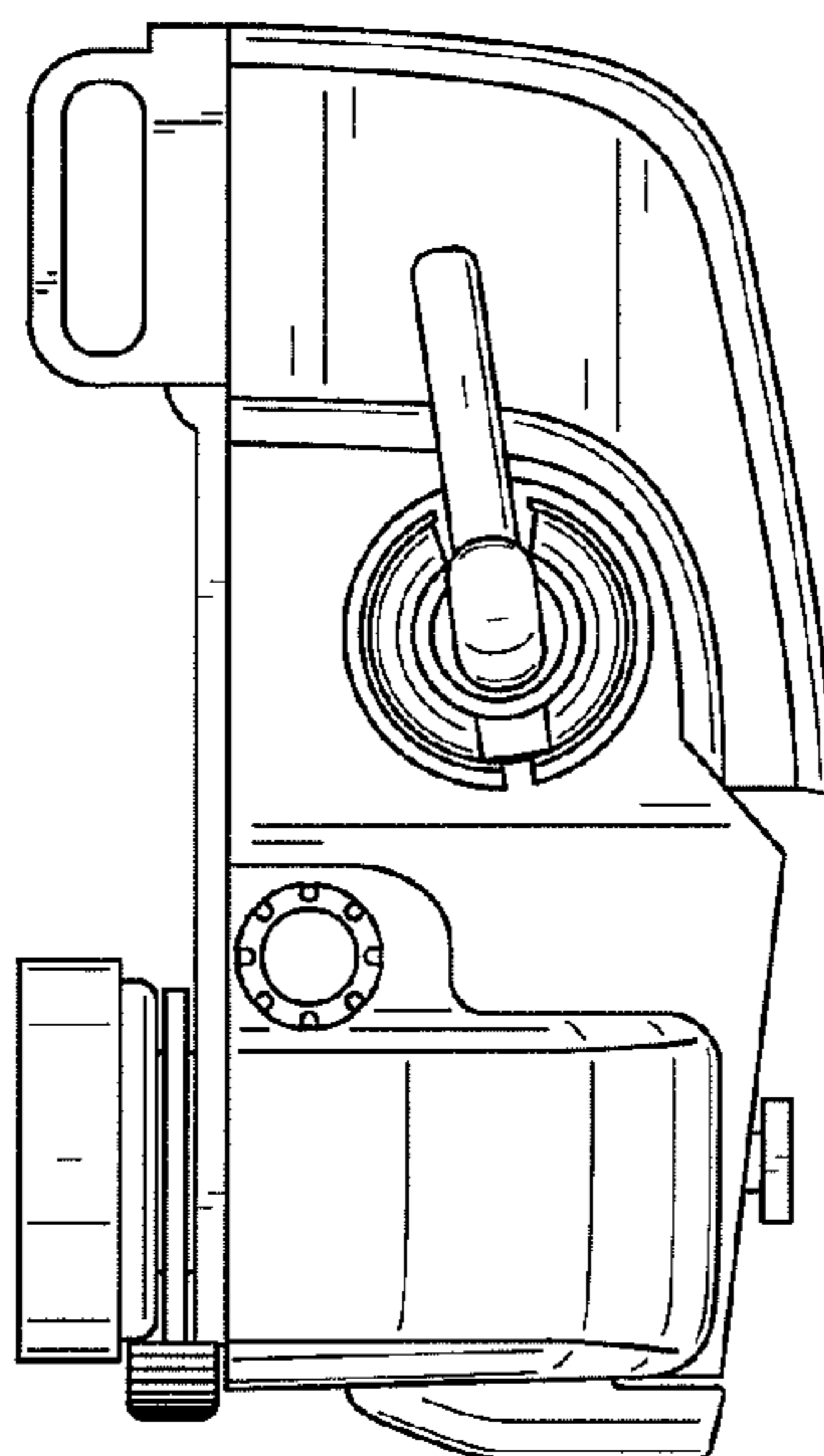
FIG. 3 is a bottom elevational view of the ophthalmoscope of FIG. 1.

FIG. 4 is a front elevational view of the ophthalmoscope of FIG. 1; and,

FIG. 5 is a perspective view of the ophthalmoscope of FIG. 1.

The broken lines showing in FIG. 4 are for the purpose of illustrating an interior environment of the ophthalmoscope and form no part of the claimed design.

1 Claim, 5 Drawing Sheets



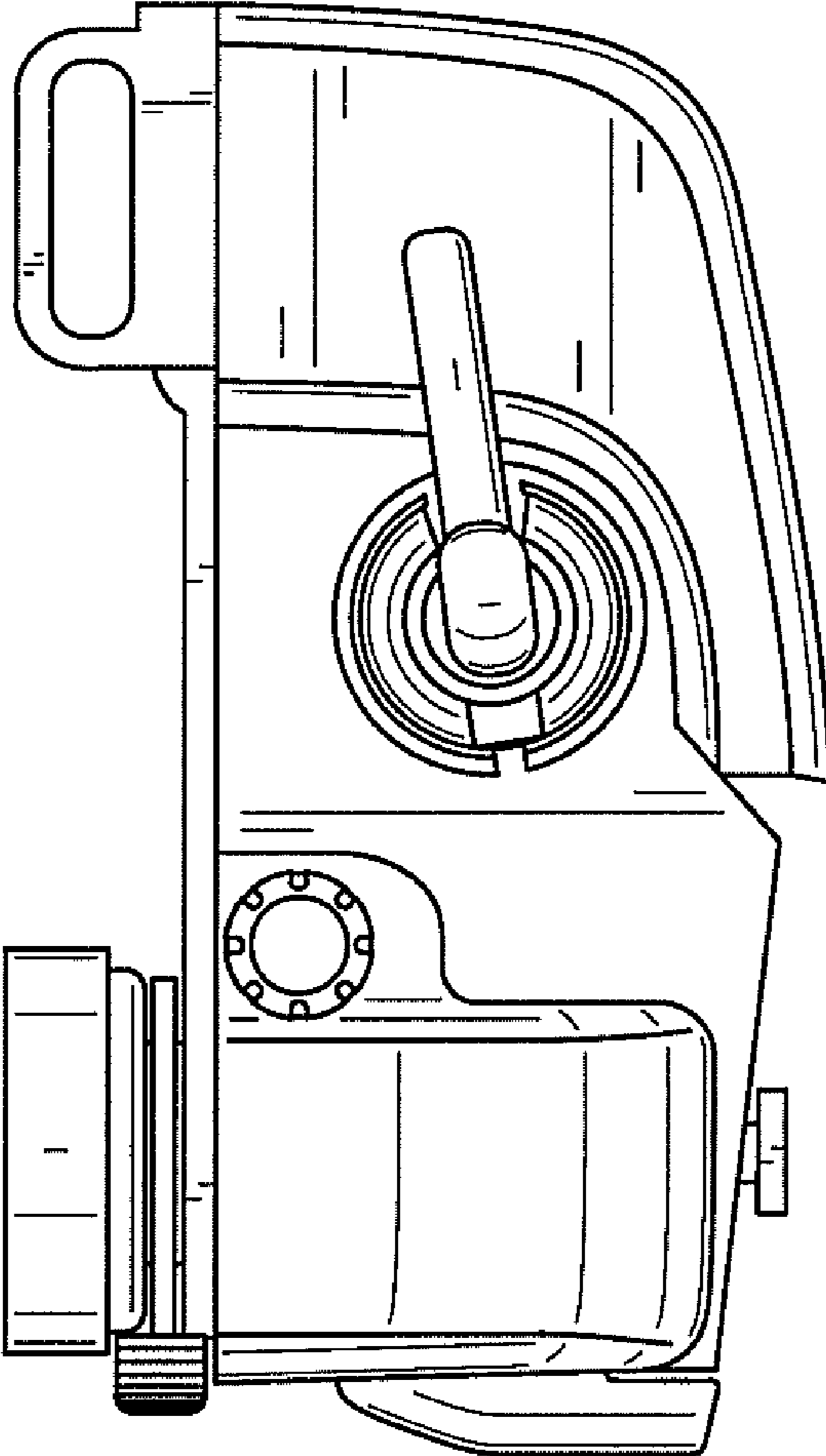


FIG. 1

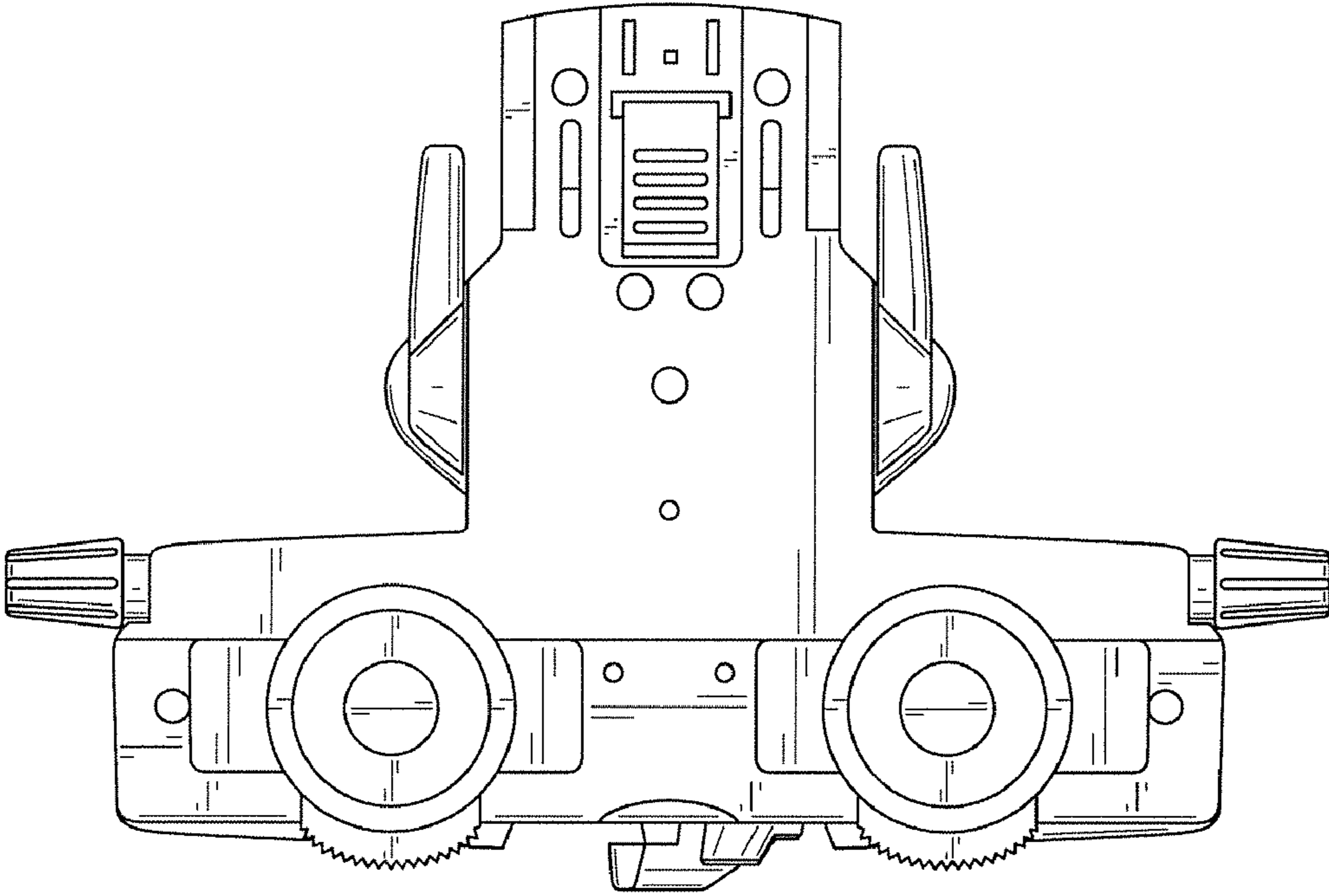


FIG. 2

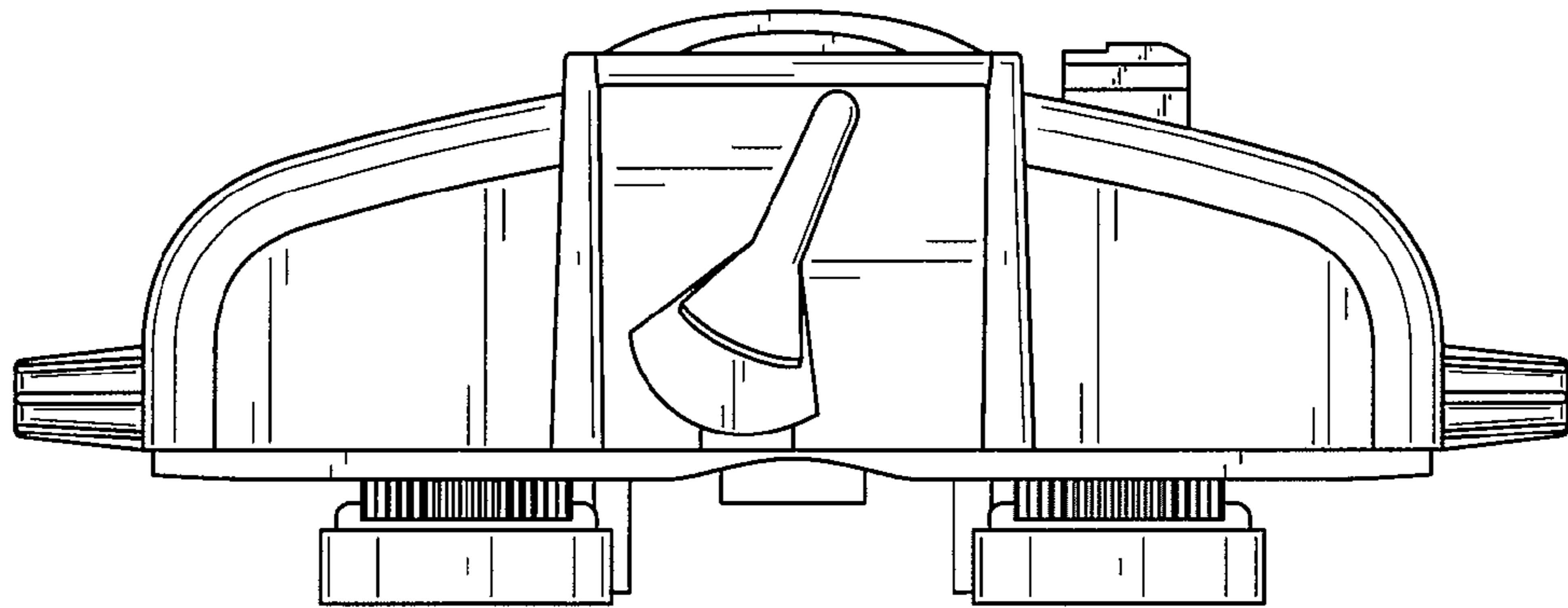


FIG. 3

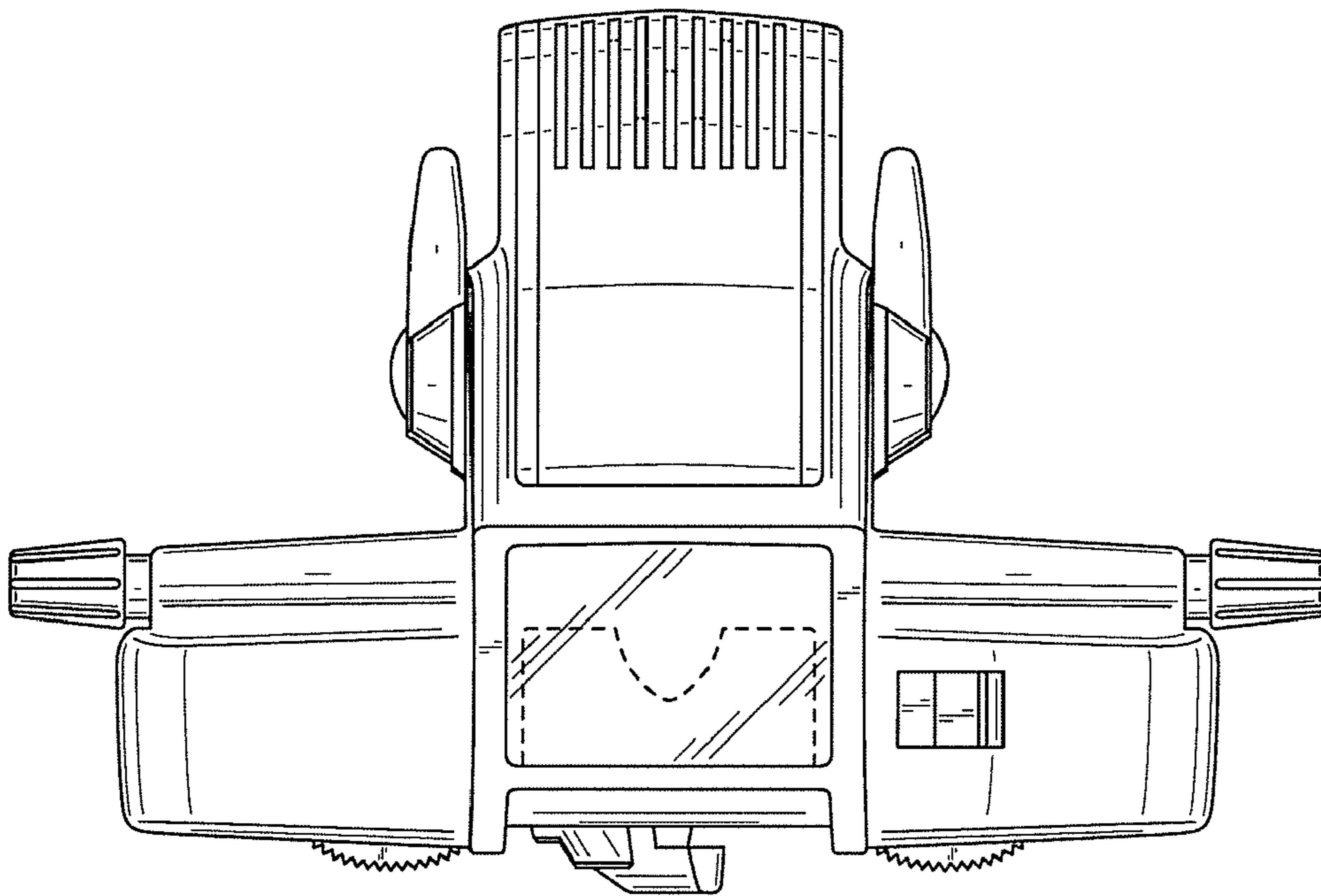


FIG. 4

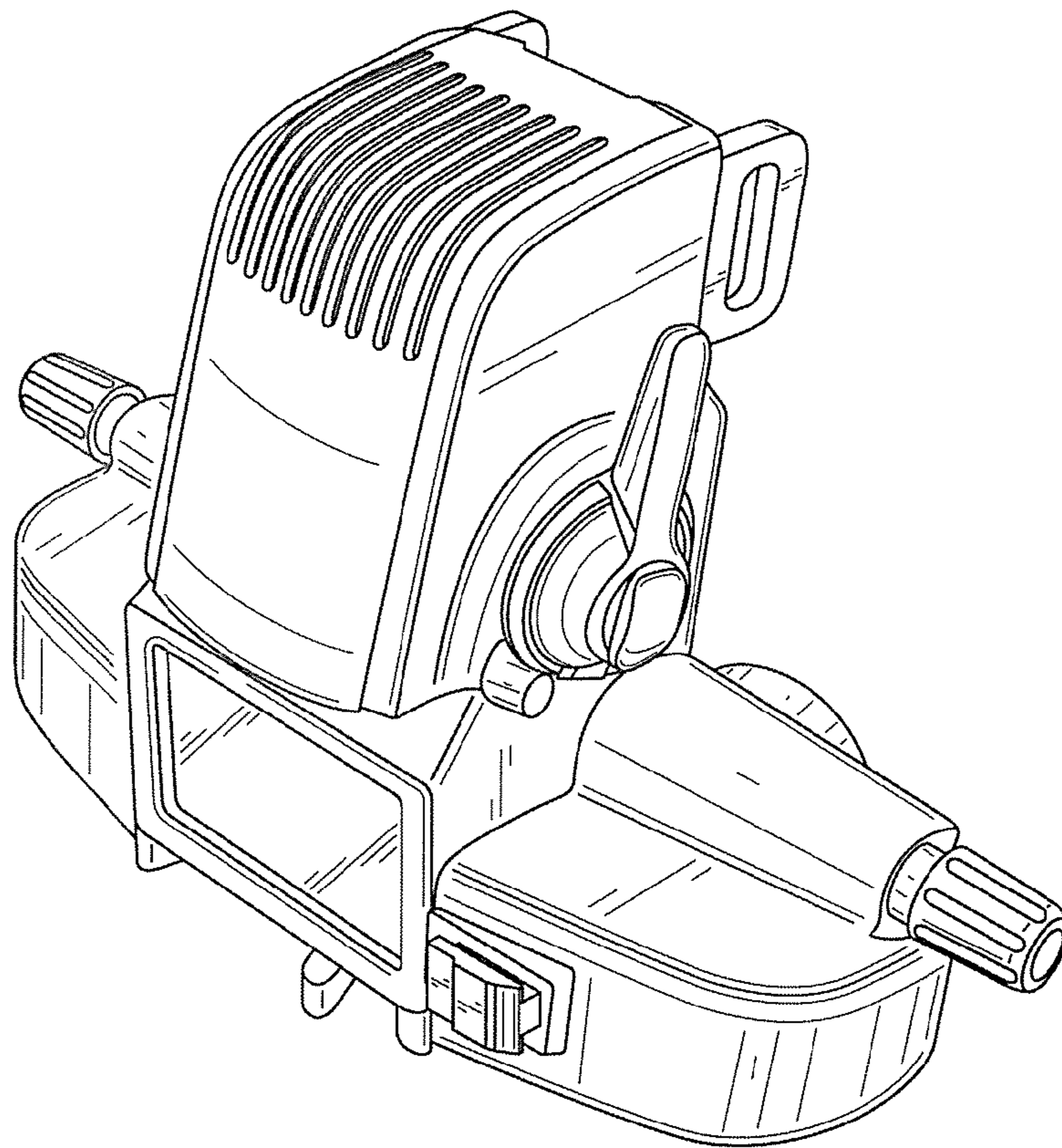


FIG. 5