



US00D607558S

(12) **United States Design Patent**  
**Abry et al.**

(10) **Patent No.:** **US D607,558 S**  
(45) **Date of Patent:** **\*\* Jan. 5, 2010**

(54) **MEDICINE INJECTOR**

(75) Inventors: **Herve Abry**, Echirrolles (FR); **Franck Carrel**, Acacias (FR); **Joel Cotten**, Seyssins (FR); **Lionel Maritan**, Pierre Chatel (FR)

(73) Assignee: **Becton Dickinson France S.A.S.**, Pont de Claix (FR)

(\*\*) Term: **14 Years**

(21) Appl. No.: **29/334,020**

(22) Filed: **Mar. 19, 2009**

(30) **Foreign Application Priority Data**

Sep. 19, 2008 (EM) ..... 001006365

(51) **LOC (9) Cl.** ..... **24-02**

(52) **U.S. Cl.** ..... **D24/113**

(58) **Field of Classification Search** ..... D24/112-114, D24/133, 186, 104, 130, 127, 152, 144; 606/181, 606/185, 205, 142; 604/232, 187, 158, 164.08, 604/192, 263, 163, 181, 184, 198, 227; 433/80  
See application file for complete search history.

(56) **References Cited**

**U.S. PATENT DOCUMENTS**

- D383,205 S \* 9/1997 Pagay et al. .... D24/112
- D401,325 S \* 11/1998 Hjertman et al. .... D24/114
- D461,555 S \* 8/2002 Binet et al. .... D24/114
- D484,977 S \* 1/2004 Ryan et al. .... D24/133

- D492,404 S \* 6/2004 Prais et al. .... D24/112
- D506,549 S \* 6/2005 Woods ..... D24/130
- D506,829 S \* 6/2005 Baker et al. .... D24/130
- D543,273 S \* 5/2007 Young et al. .... D24/114
- D558,340 S \* 12/2007 Hochman et al. .... D24/130
- D561,894 S \* 2/2008 Hudson ..... D24/113
- D578,210 S \* 10/2008 Muta et al. .... D24/114
- D588,693 S \* 3/2009 Strong et al. .... D24/112
- D593,801 S \* 6/2009 Wilson et al. .... D24/114

\* cited by examiner

*Primary Examiner*—T. Chase Nelson

*Assistant Examiner*—David G Muller

(74) *Attorney, Agent, or Firm*—David M. Fortunato; Hoffmann & Baron LLP

(57) **CLAIM**

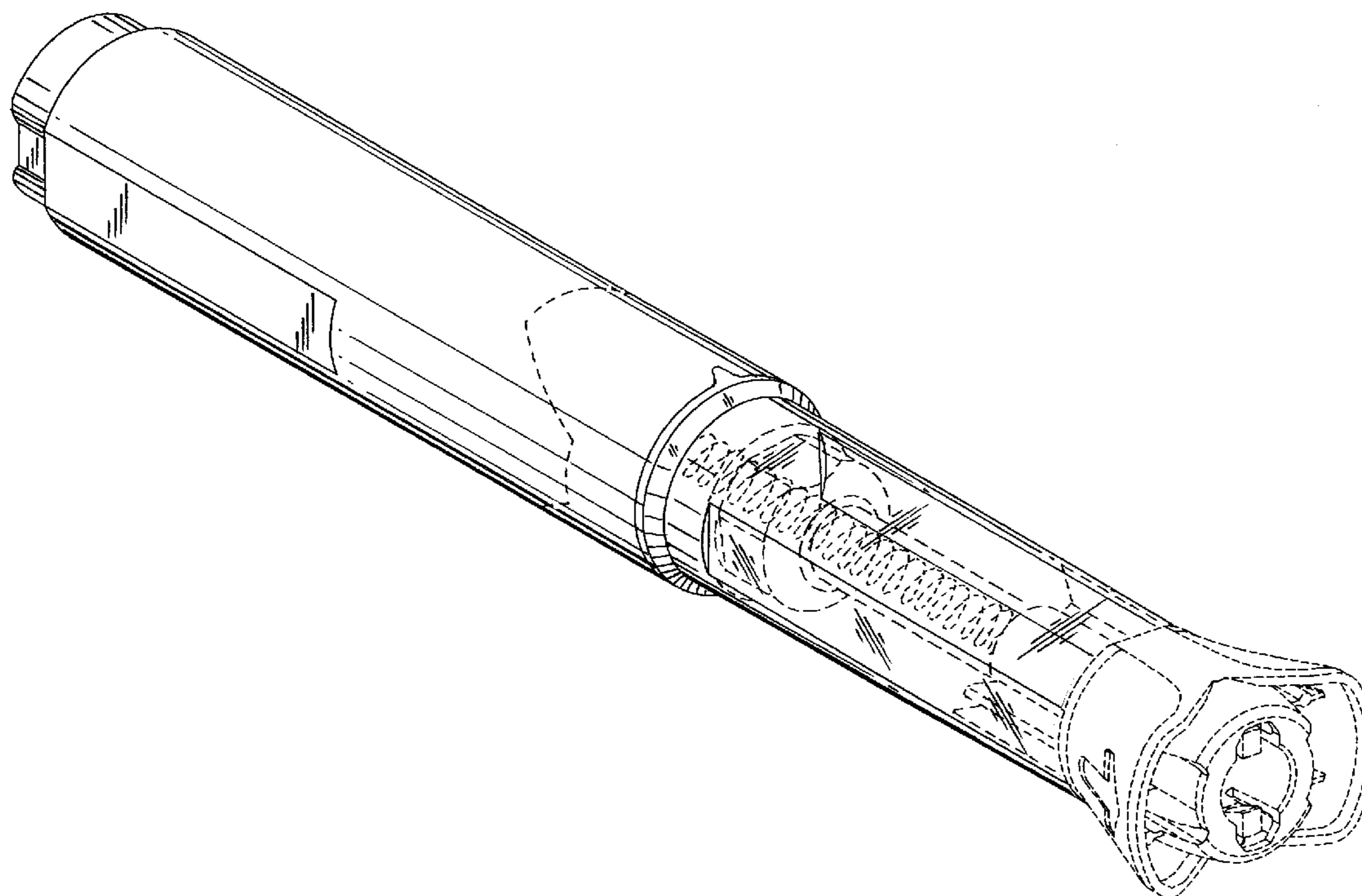
The ornamental design for a medicine injector, as shown and described.

**DESCRIPTION**

FIG. 1 is a front perspective view of a medicine injector;  
 FIG. 2 is a front elevational view thereof, the rear elevational view being identical thereto;  
 FIG. 3 is a left elevational view thereof, the right elevational view being identical thereto;  
 FIG. 4 is a bottom plan view thereof; and,  
 FIG. 5 is a top plan view thereof.

The features shown in broken lines depict environmental subject matter only and form no part of the claimed design.

**1 Claim, 2 Drawing Sheets**



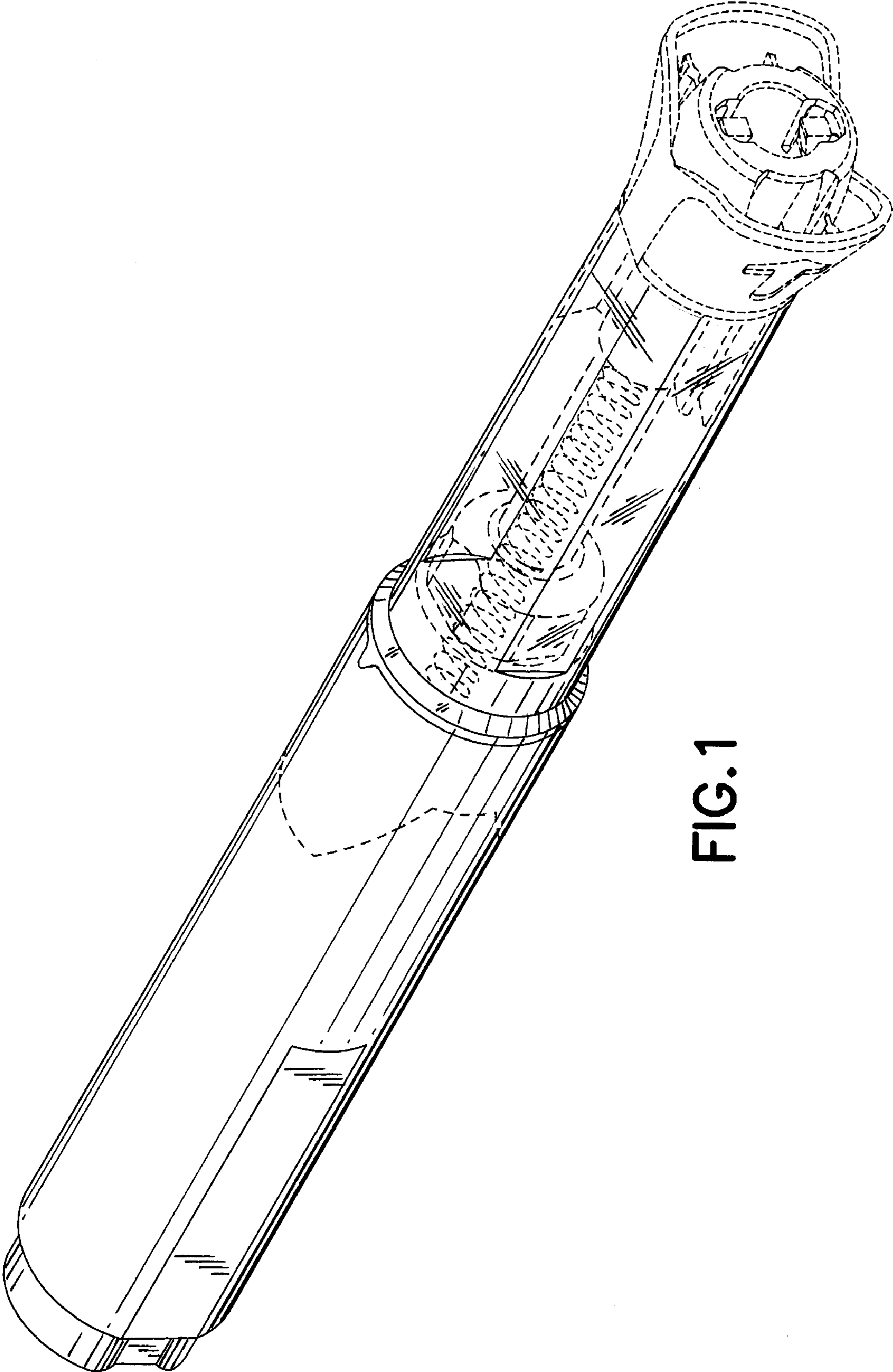


FIG.1

FIG.2

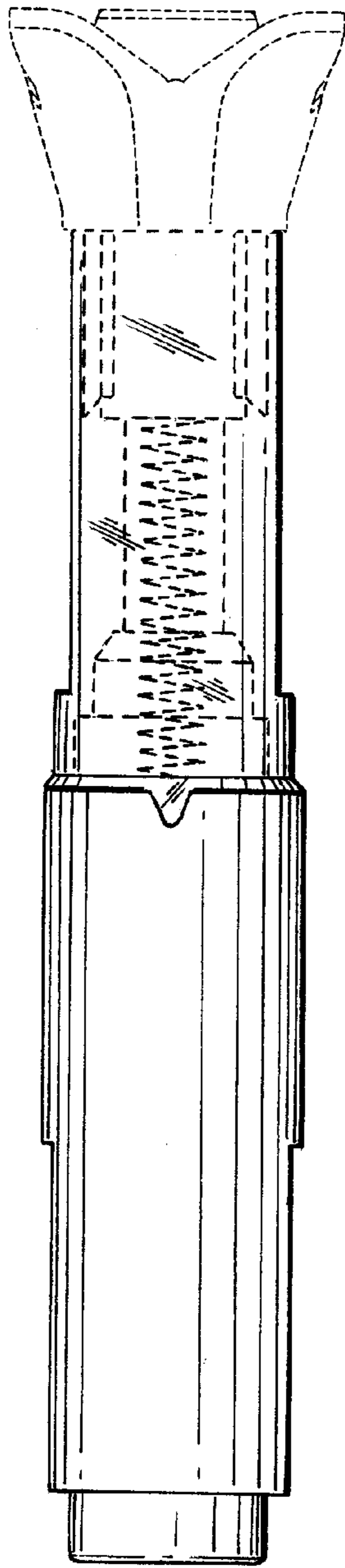


FIG.3

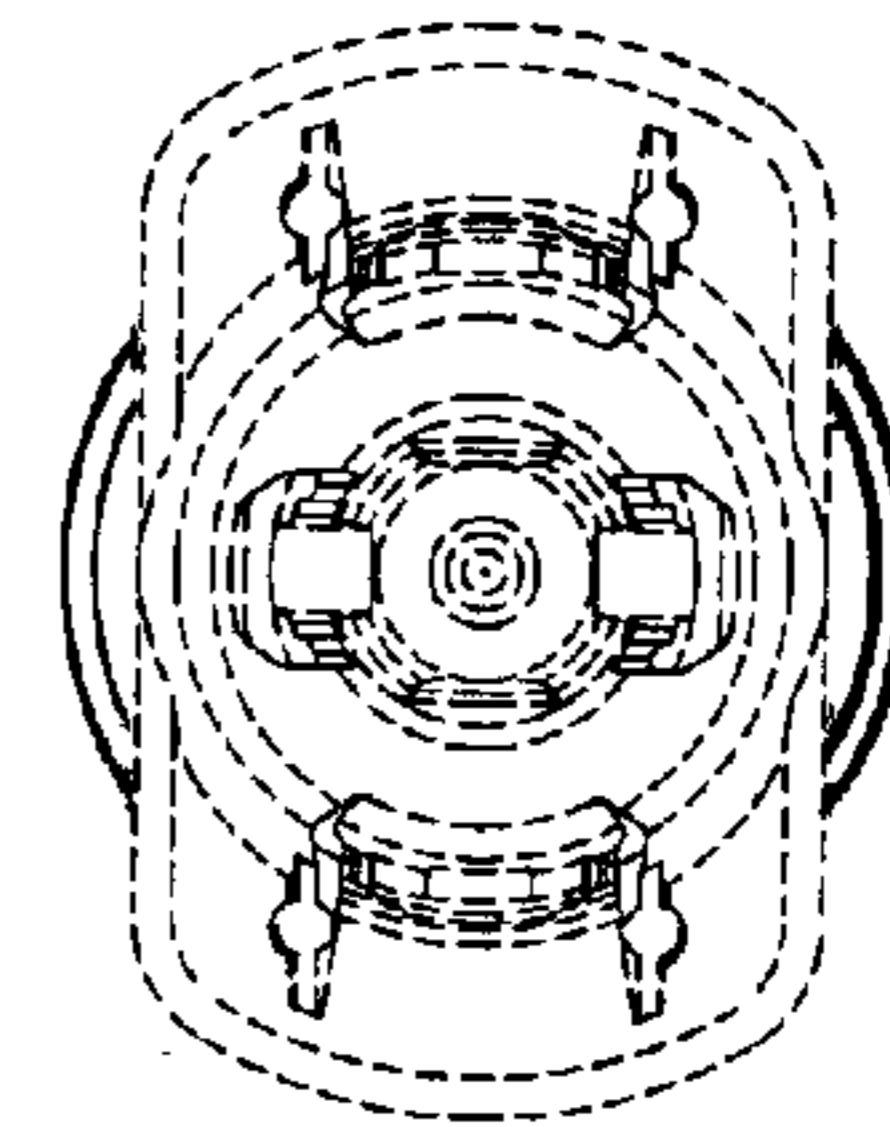
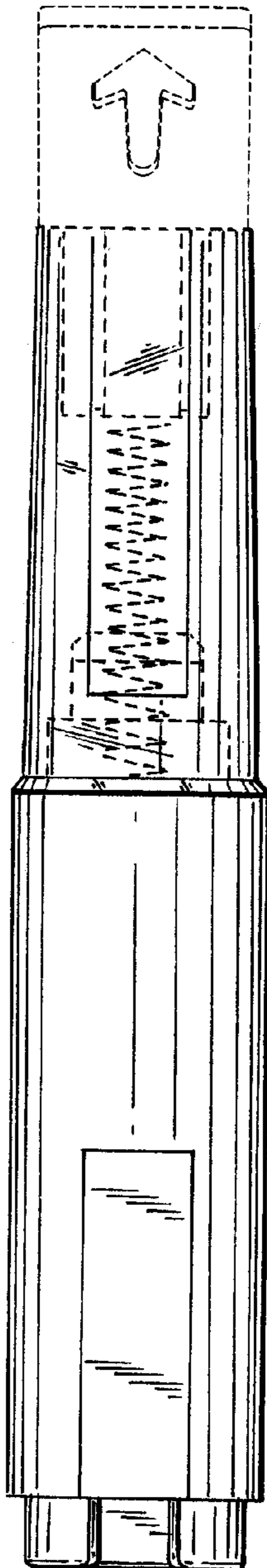


FIG.5

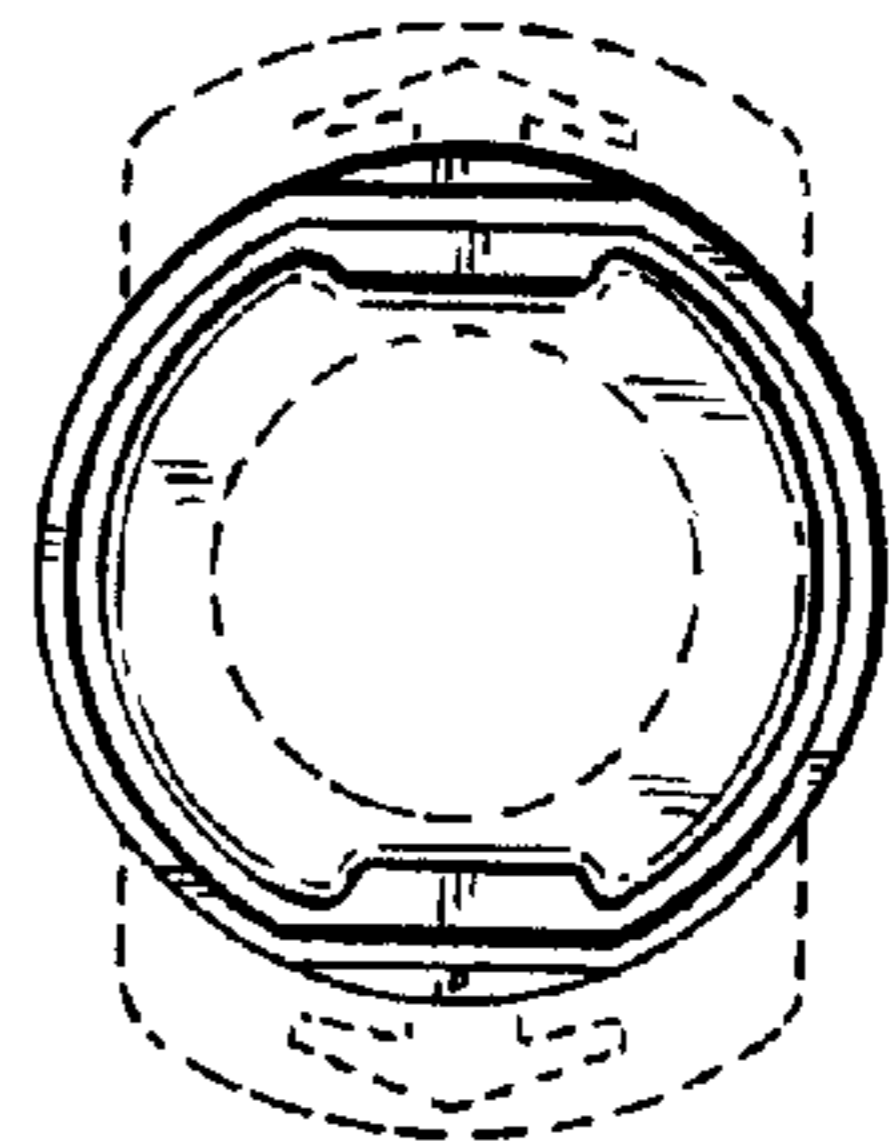


FIG.4