



US00D607555S

(12) **United States Design Patent**
Nishizawa

(10) **Patent No.:** **US D607,555 S**

(45) **Date of Patent:** **** Jan. 5, 2010**

(54) **AIR VENT**

(75) Inventor: **Keisuke Nishizawa**, Nerima-ku (JP)

(73) Assignee: **Seiho International, Inc.**, Pasadena, CA (US)

(**) Term: **14 Years**

(21) Appl. No.: **29/314,379**

(22) Filed: **Mar. 25, 2009**

(51) **LOC (9) Cl.** **23-04**

(52) **U.S. Cl.** **D23/393**

(58) **Field of Classification Search** D23/385–389,
D23/395, 330, 397, 393, 392, 370, 351, 354;
454/309, 275–277, 284, 287–291, 300
See application file for complete search history.

(56) **References Cited**

U.S. PATENT DOCUMENTS

2,228,603	A *	1/1941	Kurth	D23/388
2,780,980	A *	2/1957	Kennedy	D23/388
2,830,526	A *	4/1958	Breidert	D23/370
5,058,490	A *	10/1991	Sodec et al.	454/290
D329,090	S *	9/1992	Vogelzang	D23/392
5,211,605	A *	5/1993	Shiga et al.	454/284
5,876,281	A *	3/1999	Hirasawa et al.	454/305
D506,819	S *	6/2005	Stobart	D23/370
D521,631	S *	5/2006	Habensus	D23/388
D525,354	S *	7/2006	Nishizawa	D23/393
D558,325	S *	12/2007	Karnes et al.	D23/393
D559,969	S *	1/2008	Hammock, Jr.	D23/388
D563,542	S *	3/2008	Wettergren	D23/388

* cited by examiner

Primary Examiner—T. Chase Nelson
Assistant Examiner—David G Muller

(74) *Attorney, Agent, or Firm*—William L. Androlia; H. Henry Koda

(57) **CLAIM**

The ornamental design for an air vent, as shown and described.

DESCRIPTION

FIG. 1 is a perspective view of the air vent of my new design taken from the top, front, and left side thereof;

FIG. 2 is a front elevational view thereof; the rear elevational view being a mirror image of the front elevational view;

FIG. 3 is a top plan view thereof;

FIG. 4 is a bottom plan view thereof;

FIG. 5 is a left side elevational view thereof, the right side elevational view being a mirror image of the left side elevational view;

FIG. 6 is a cross sectional view taken along the line 6—6 in FIG. 3, showing the internal design structure;

FIG. 7 is a perspective view of the air vent taken from the top, front, and left side thereof with the inner tubes reversed;

FIG. 8 is a front elevational view thereof; the rear elevational view being a mirror image of the front elevational view;

FIG. 9 is a top plan view thereof;

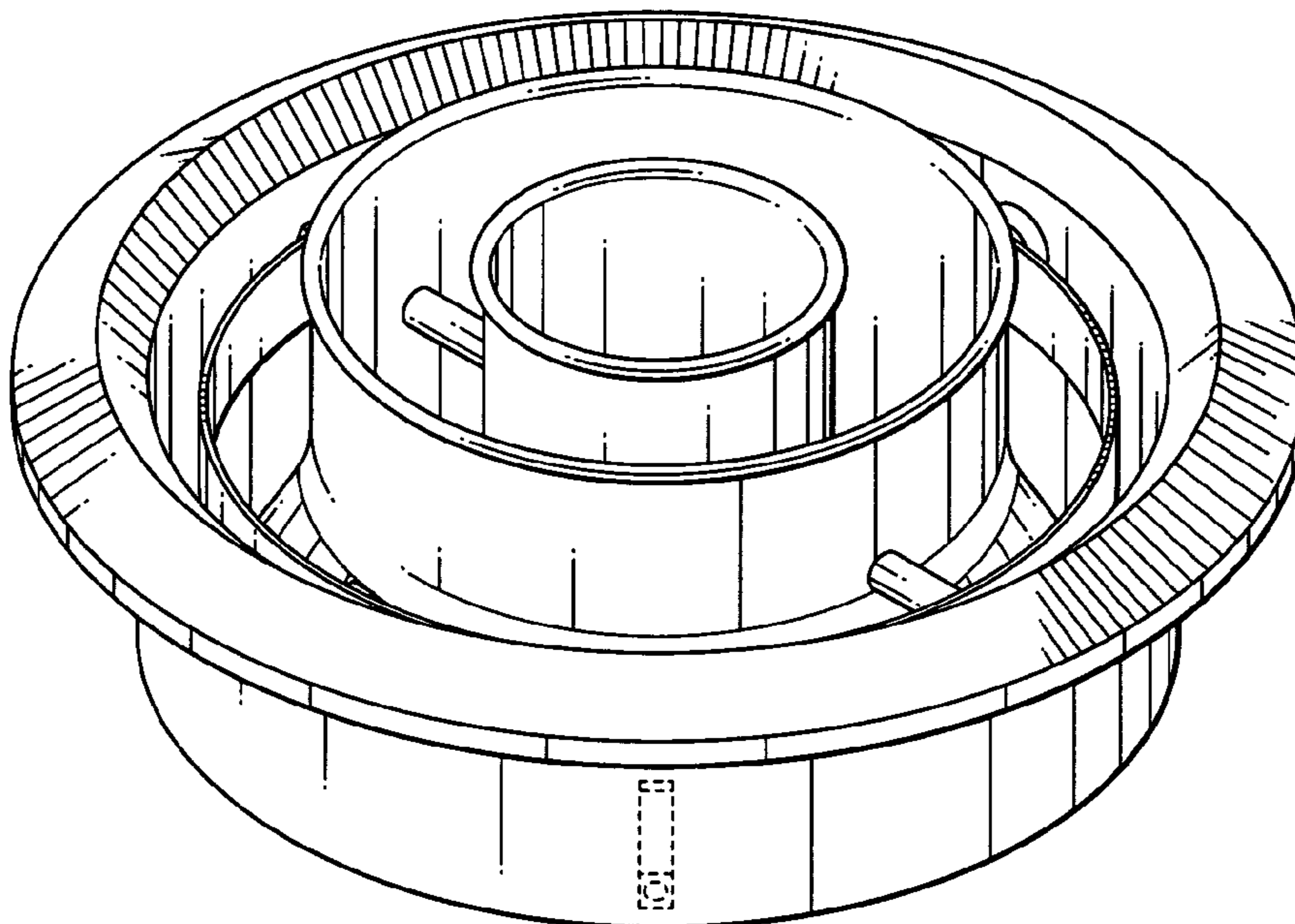
FIG. 10 is a bottom plan view thereof;

FIG. 11 is a left side elevational view thereof, the right side elevational view being a mirror image of the left side elevational view; and,

FIG. 12 is a cross sectional view taken along the line 12—12 in FIG. 9, showing the internal design structure.

The broken lines depict portions of the air vent that form no part of the claimed design.

1 Claim, 8 Drawing Sheets



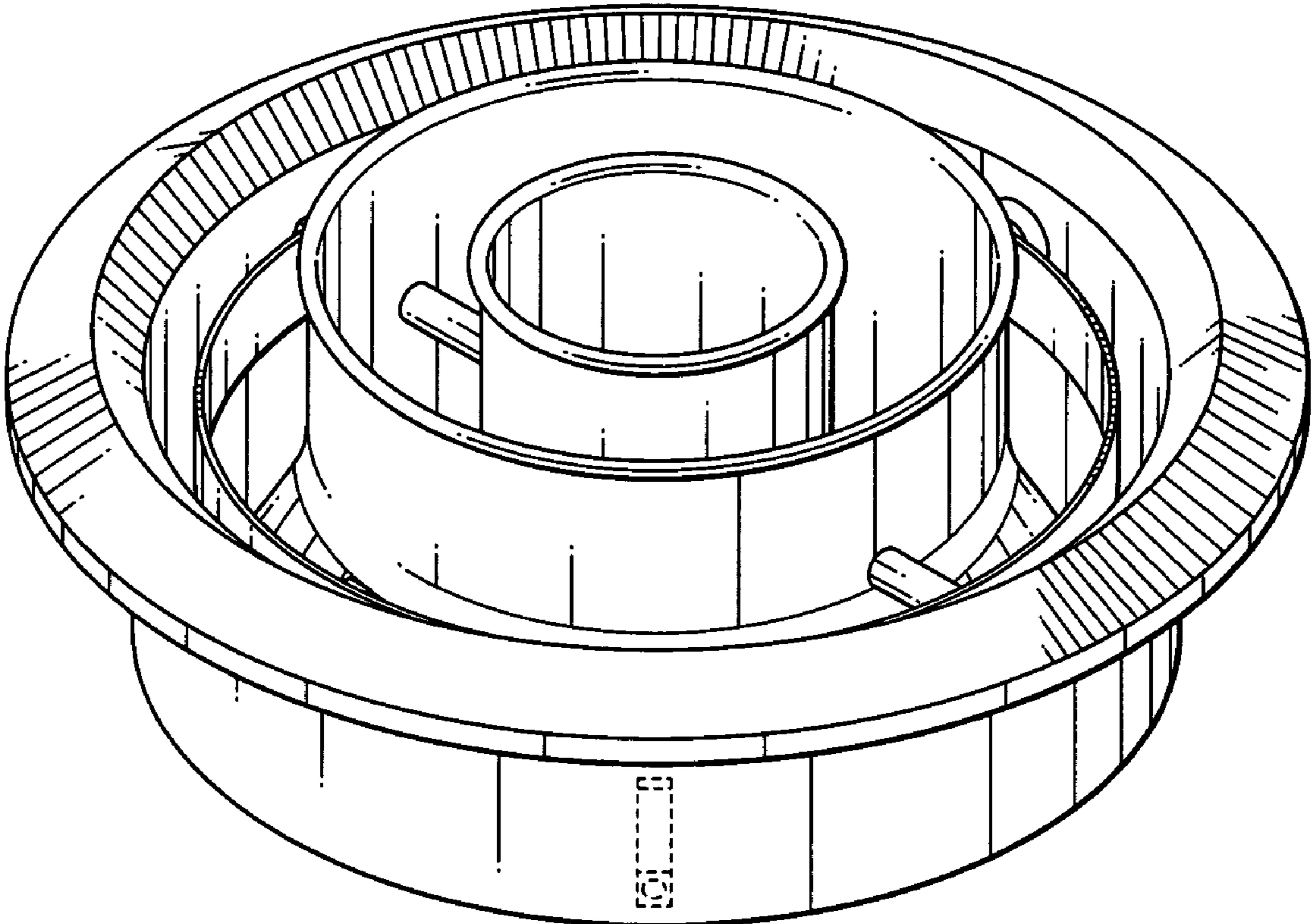


FIG. 1

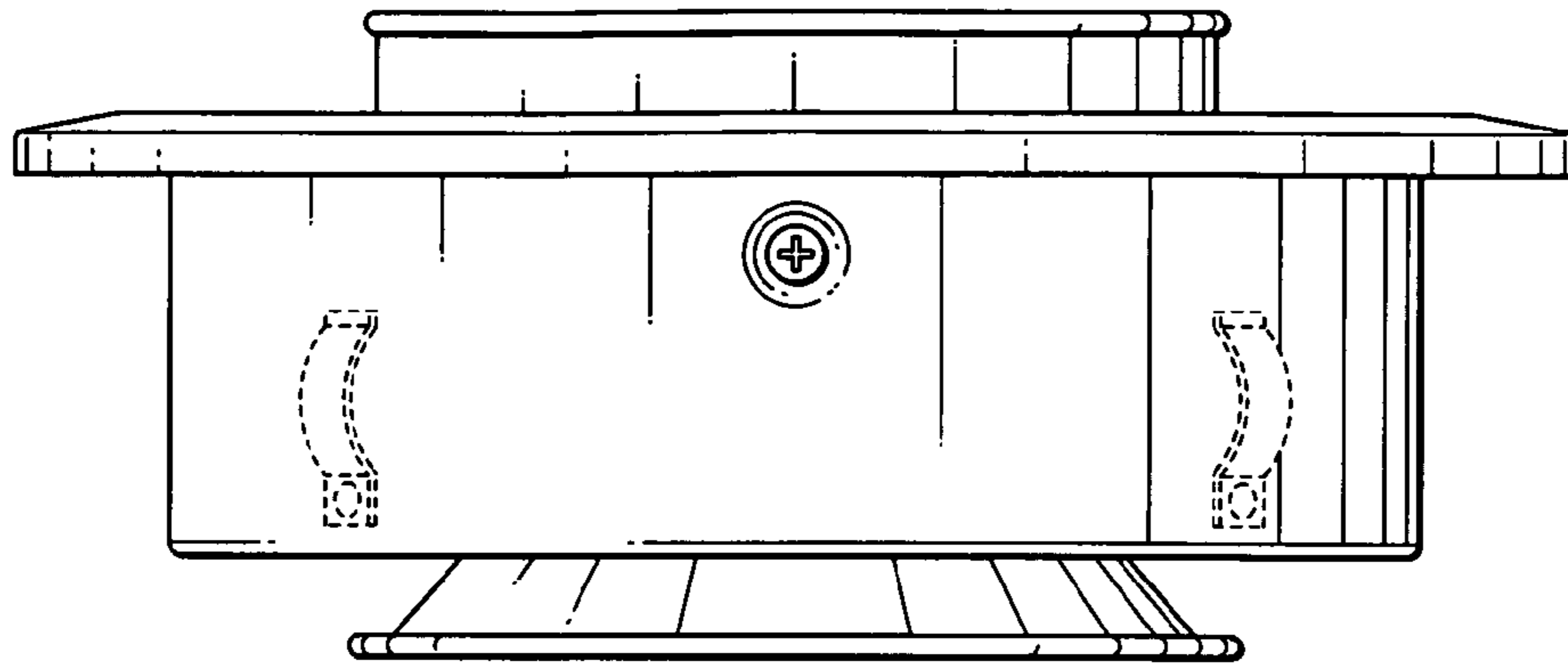


FIG. 2

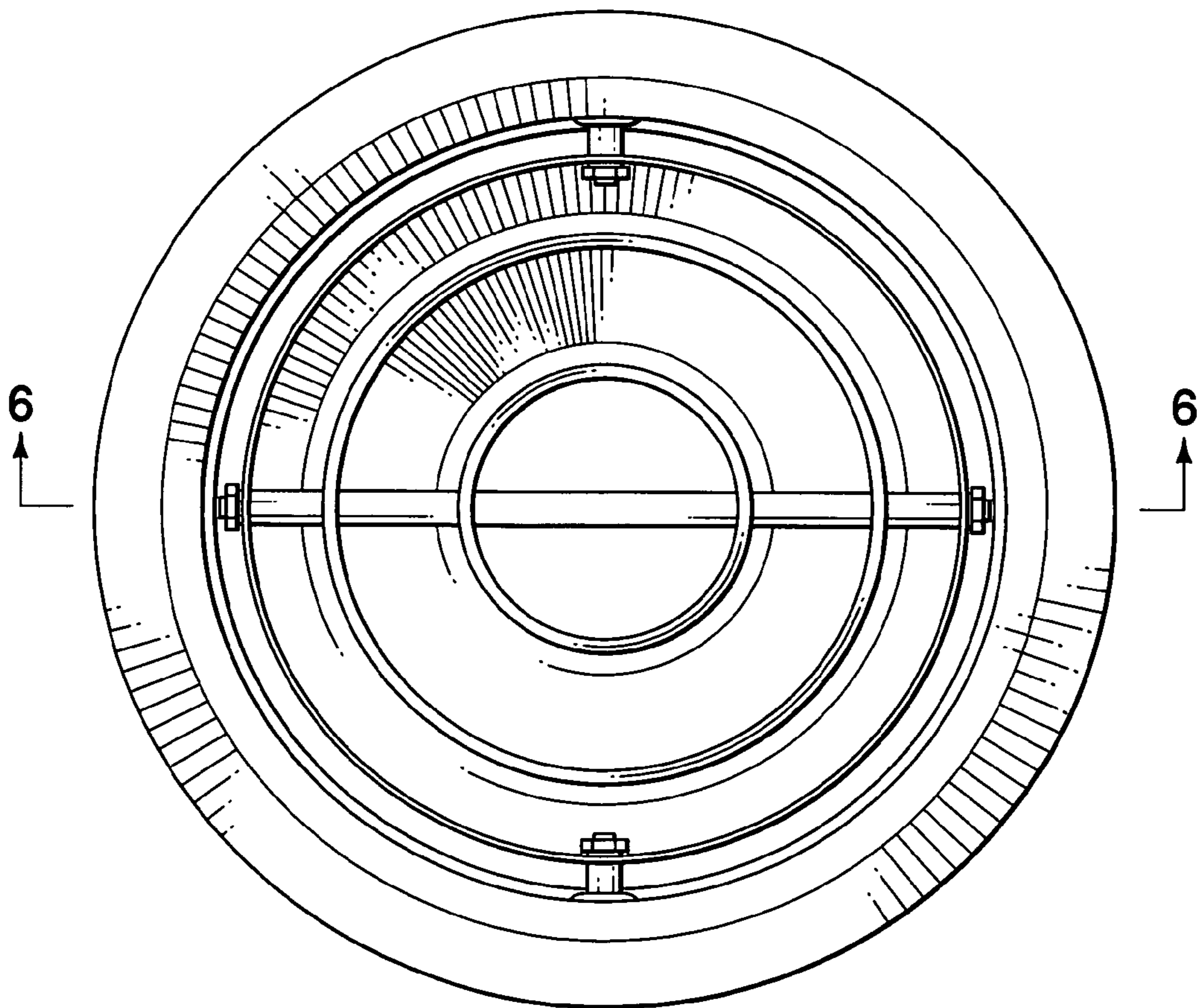


FIG. 3

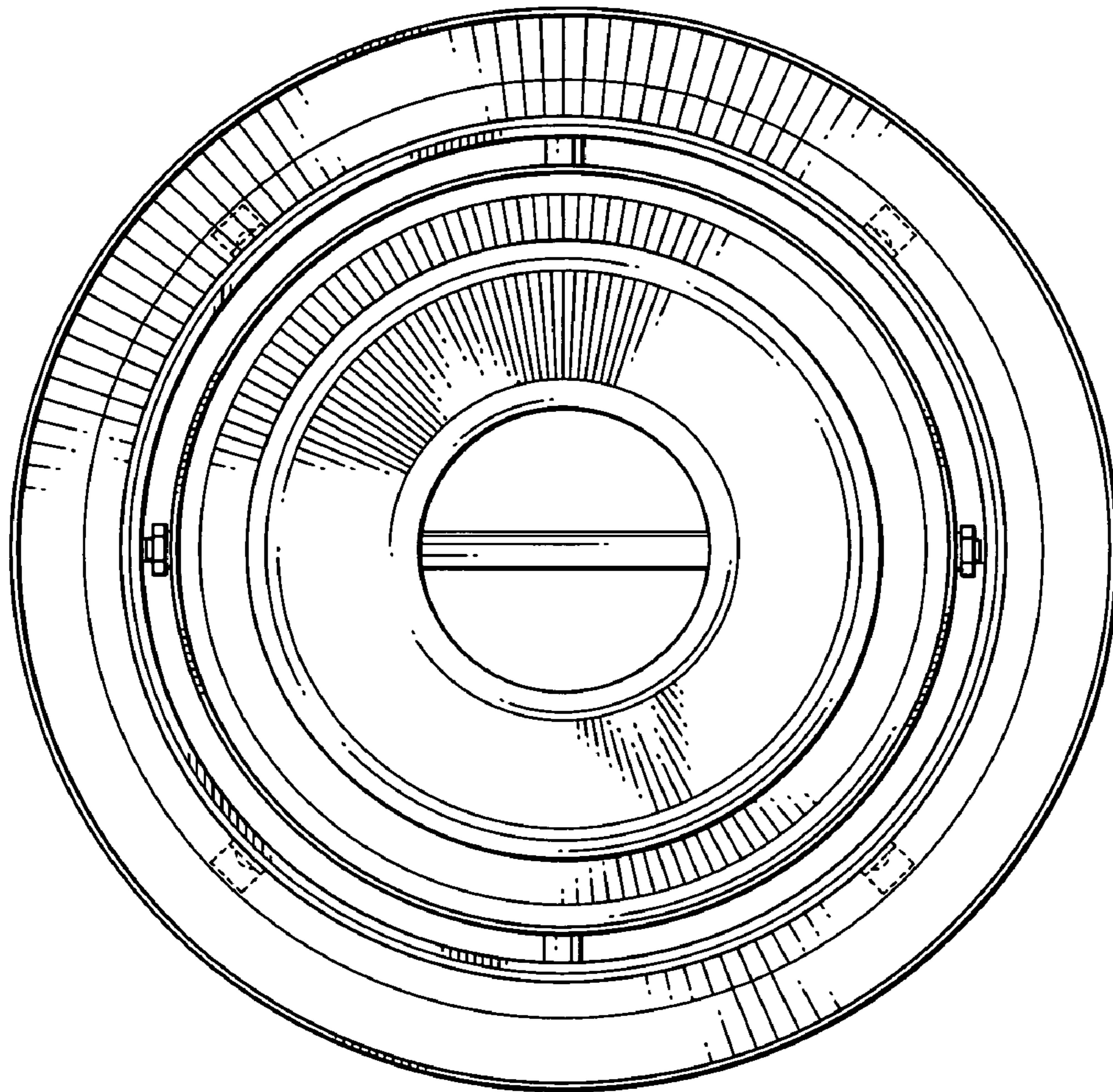


FIG. 4

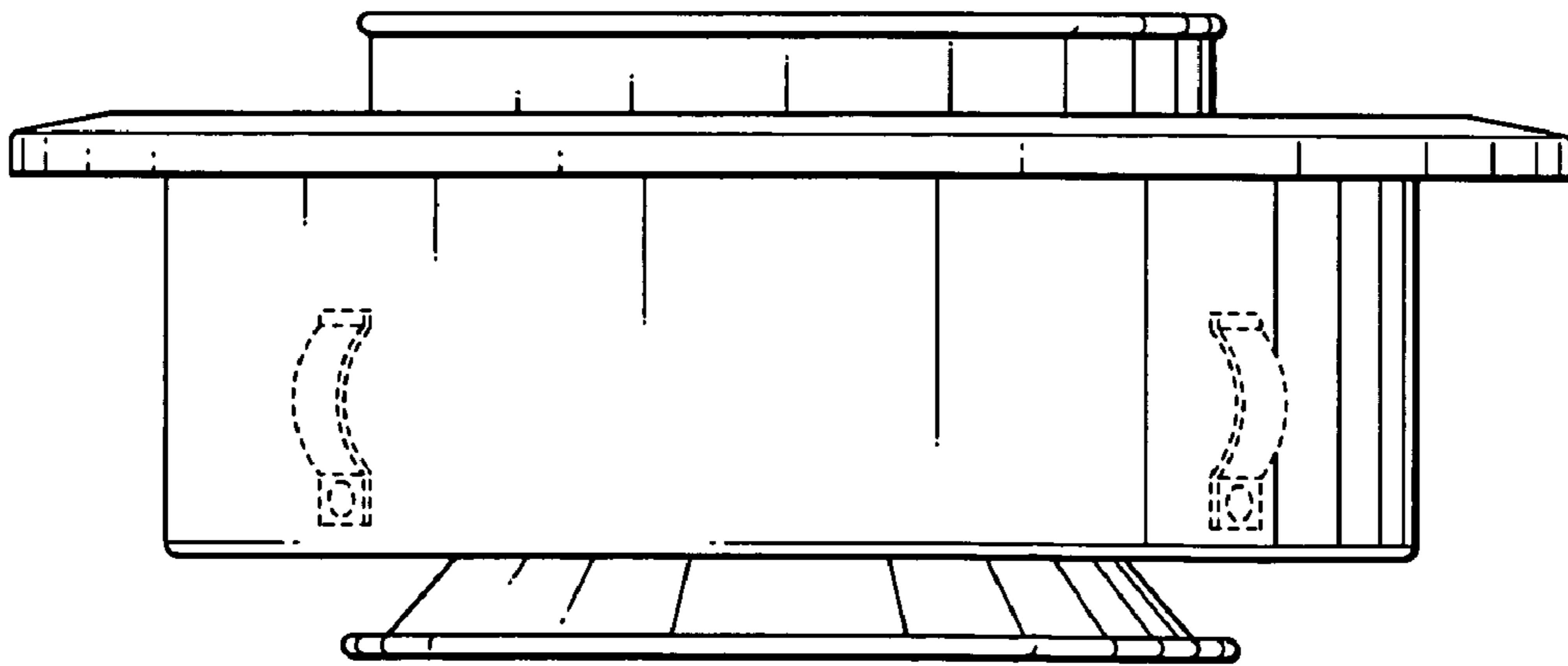


FIG. 5

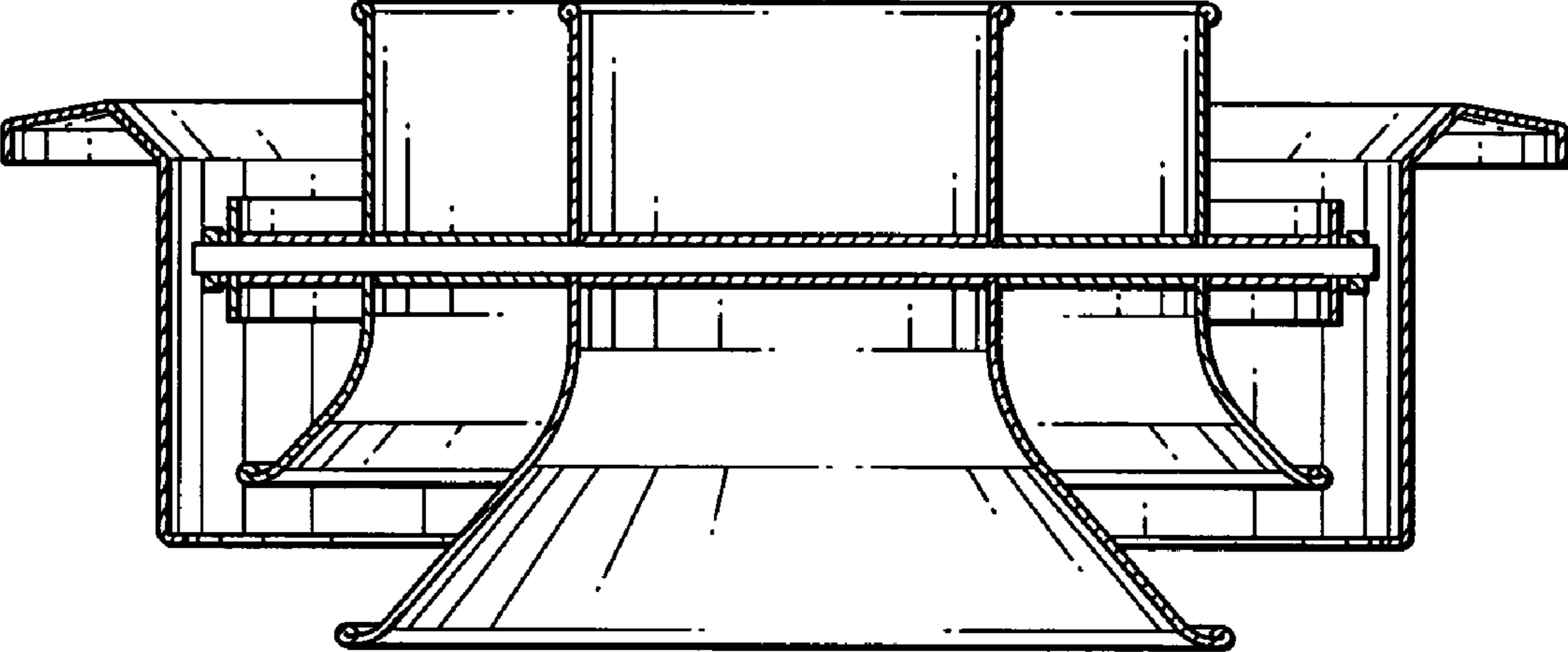


FIG. 6

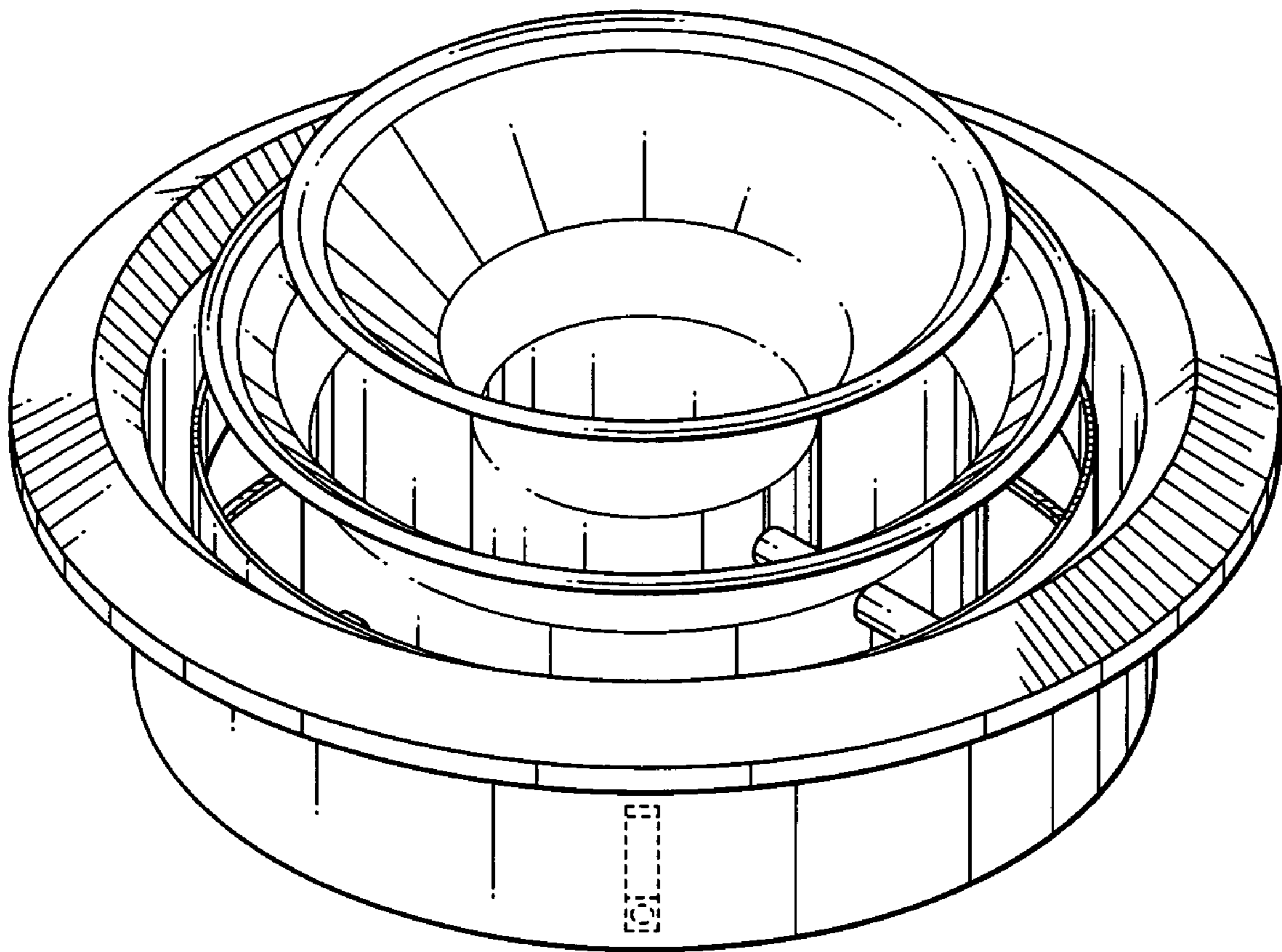


FIG. 7

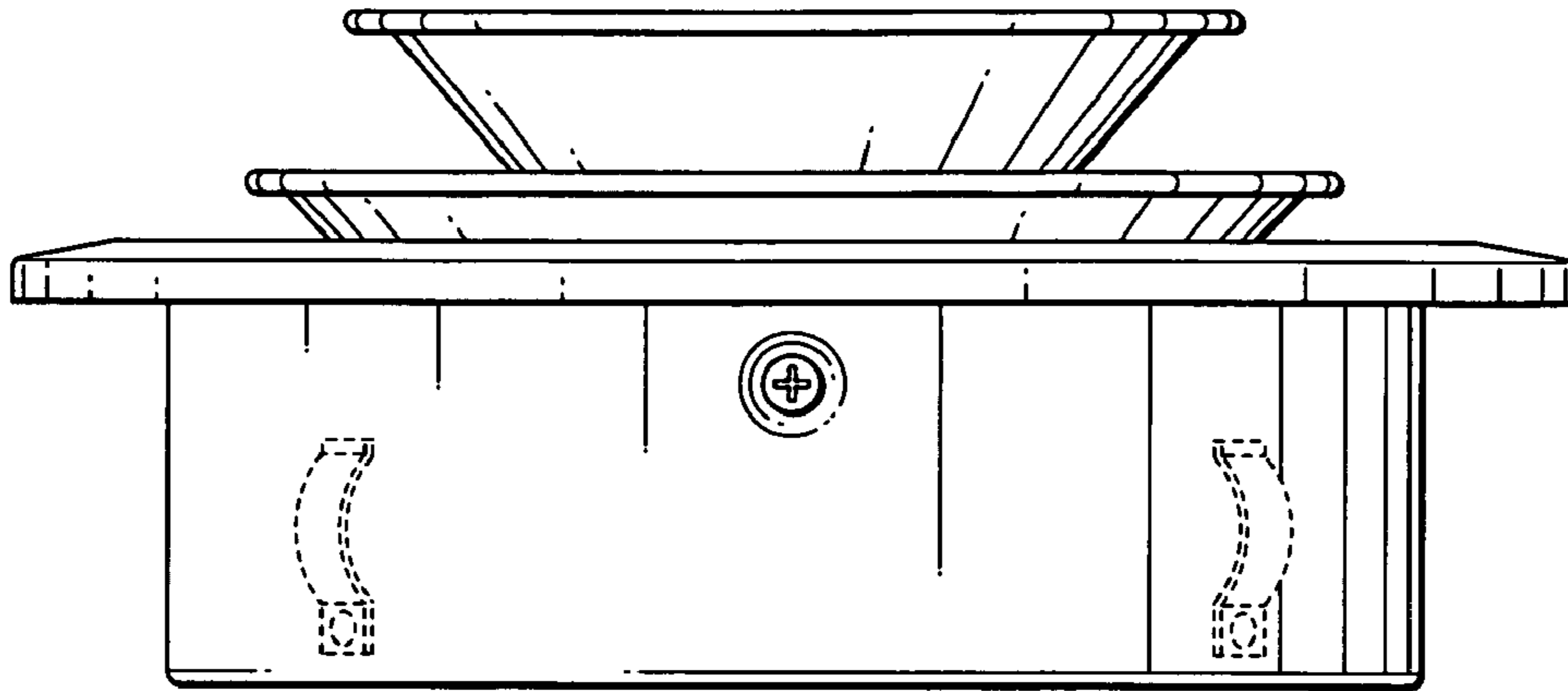


FIG. 8

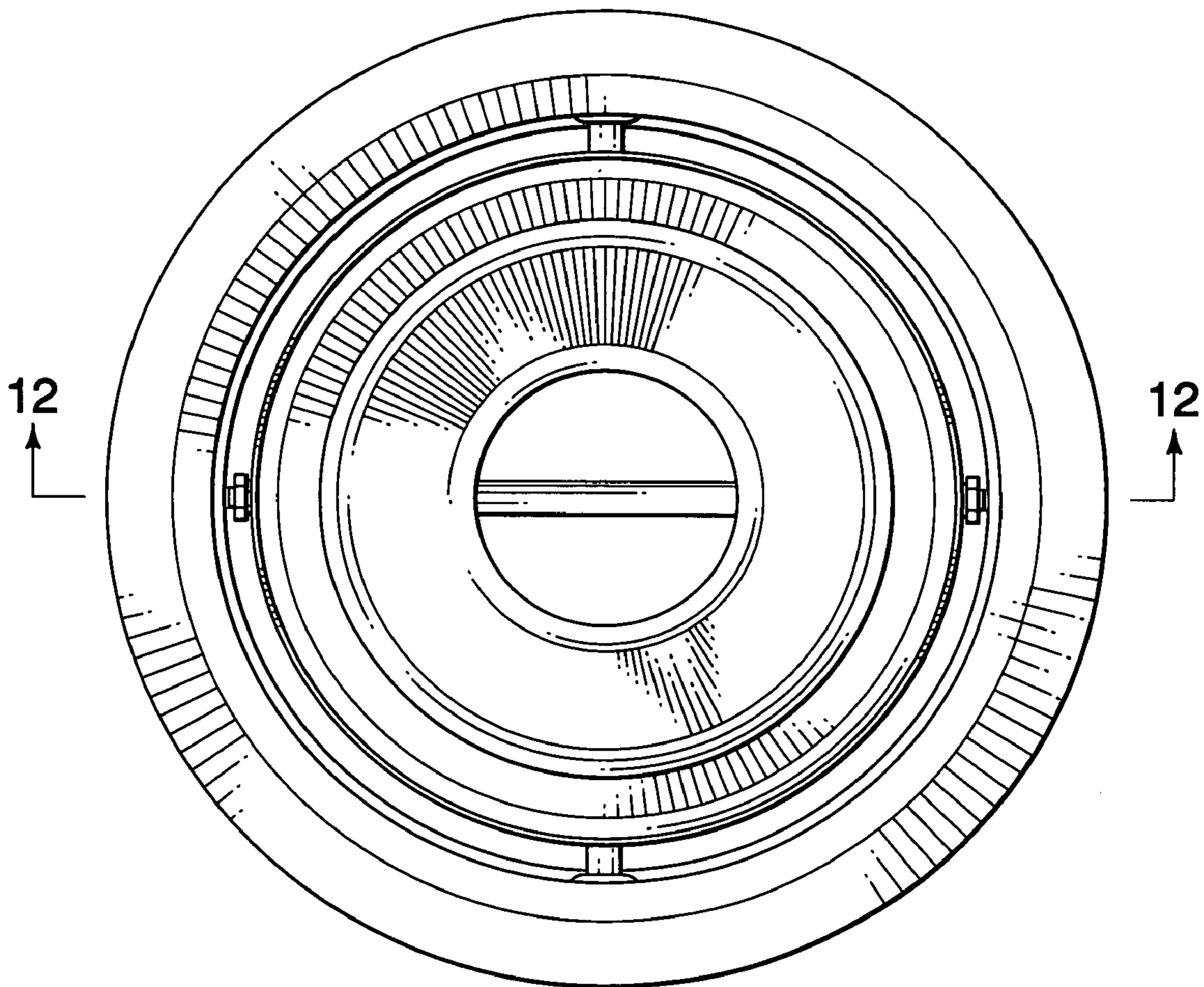


FIG. 9

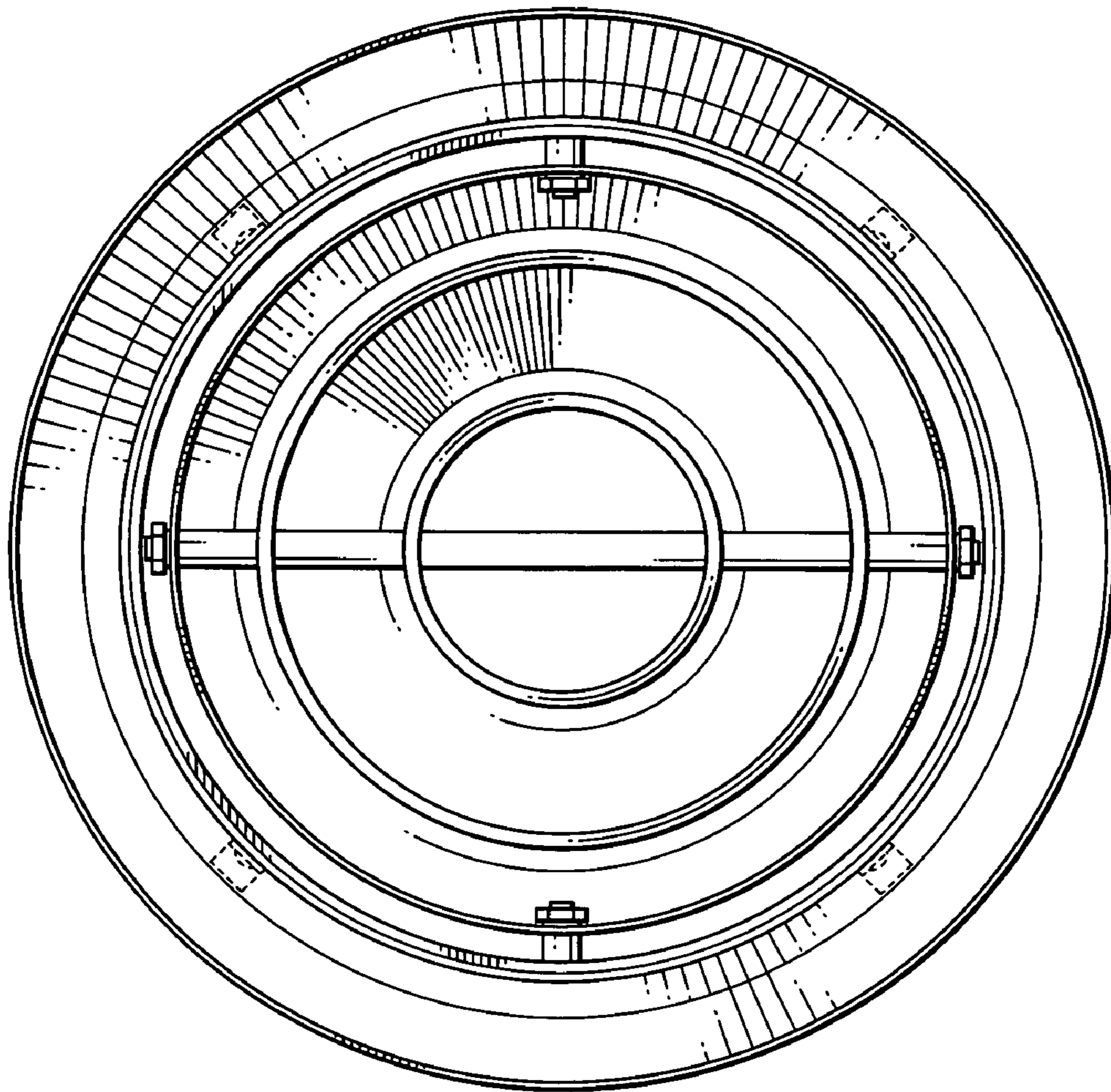


FIG. 10

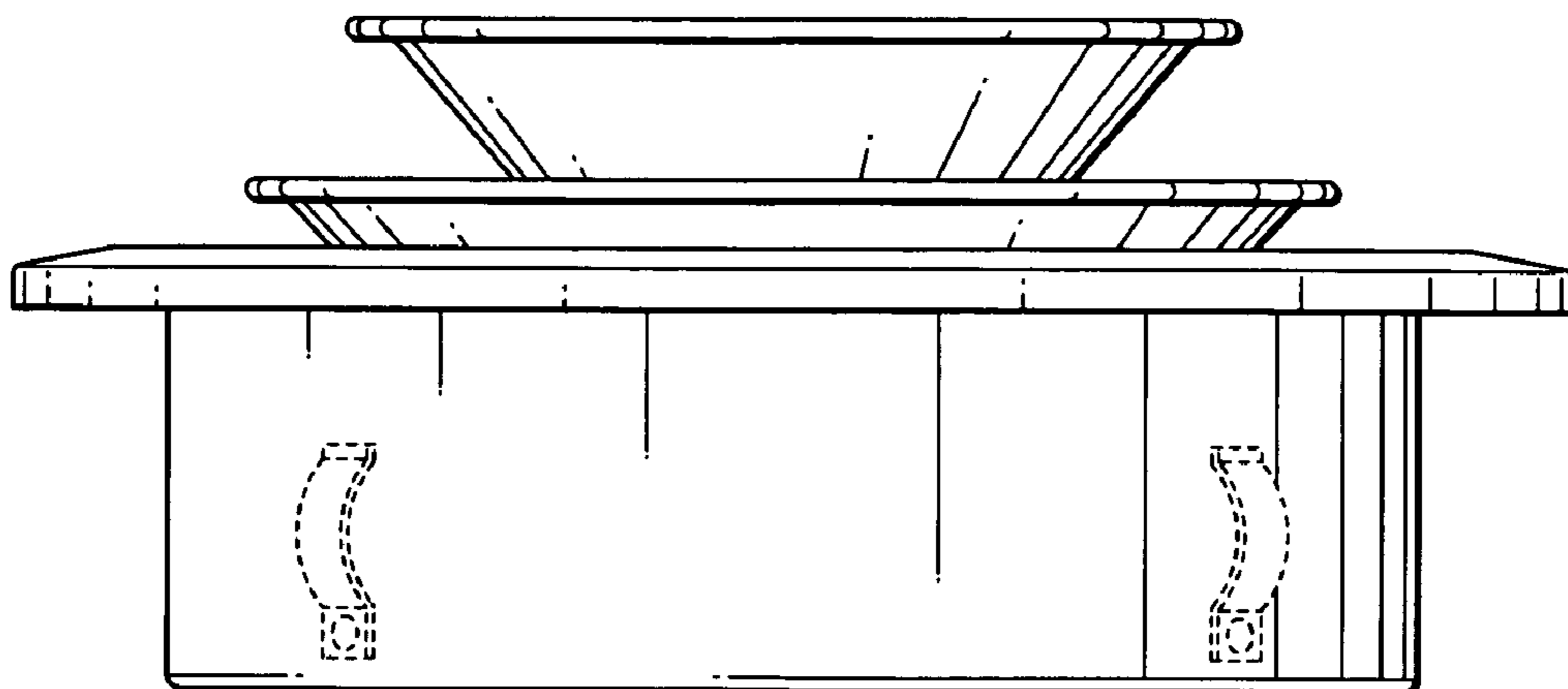


FIG. 11

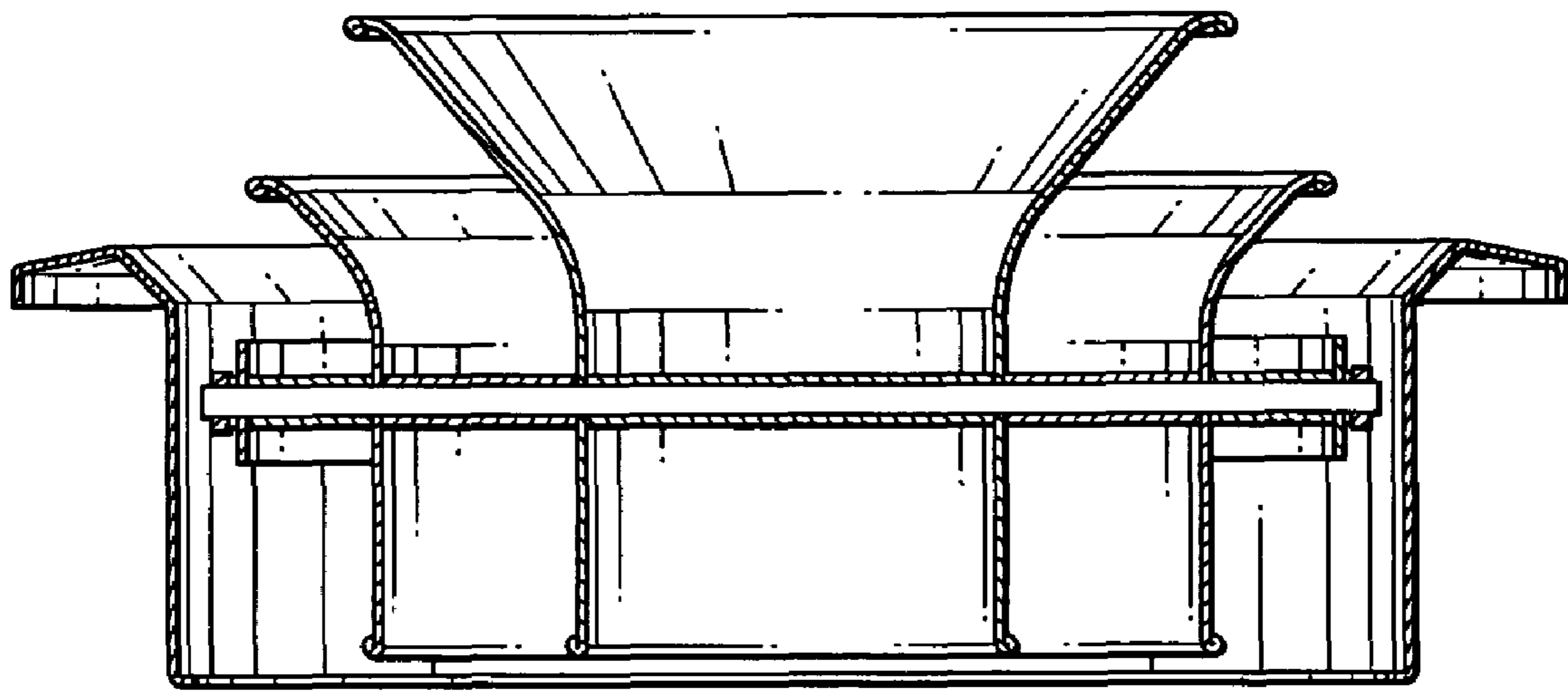


FIG. 12