



US00D607550S

(12) **United States Design Patent**  
**Shah et al.**

(10) **Patent No.:** **US D607,550 S**  
(45) **Date of Patent:** **\*\* Jan. 5, 2010**

(54) **FLEXIBLE RIBBED PIPE COUPLING SEGMENT**

(75) Inventors: **Amit R. Shah**, Quakertown, PA (US);  
**Douglas R. Dole**, Whitehouse Station,  
NJ (US); **John W. Pierce**, Nazareth, PA  
(US); **Scott D. Madara**, Nazareth, PA  
(US)

(73) Assignee: **Victaulic Company**, Easton, PA (US)

(\*\*) Term: **14 Years**

(21) Appl. No.: **29/340,911**

(22) Filed: **Jul. 28, 2009**

**Related U.S. Application Data**

(62) Division of application No. 29/331,485, filed on Jan. 27, 2009.

(51) **LOC (9) Cl.** ..... **23-01**

(52) **U.S. Cl.** ..... **D23/262**

(58) **Field of Classification Search** ..... D23/259–269;  
285/11–12, 7, 177, 394–395, 307, 358, 179–183,  
285/423, 356, 303, 337, 1, 53, 404, 112,  
285/367, 373, 915; 403/300, 291  
See application file for complete search history.

(56) **References Cited**

**U.S. PATENT DOCUMENTS**

872,659	A *	12/1907	Lord	.....	277/623
2,861,822	A *	11/1958	Risley et al.	.....	285/348
D208,388	S *	8/1967	Graham	.....	D23/265
3,352,579	A *	11/1967	Hoke	.....	277/621
4,183,560	A *	1/1980	Wyss	.....	285/232
D453,816	S *	2/2002	Sato et al.	.....	D23/262

6,494,502	B1 *	12/2002	Plante	.....	285/373
D513,793	S *	1/2006	Copeland et al.	.....	D23/262
D515,673	S *	2/2006	Copeland et al.	.....	D23/262
D593,642	S *	6/2009	Copeland et al.	.....	D23/266
D600,784	S	9/2009	Henry et al.		
2003/0071460	A1 *	4/2003	Snyder et al.	.....	285/340
2005/0146133	A1 *	7/2005	Snyder et al.	.....	285/105

\* cited by examiner

*Primary Examiner*—T. Chase Nelson  
*Assistant Examiner*—Eric L Goodman  
(74) *Attorney, Agent, or Firm*—Ballard Spahr LLP

(57) **CLAIM**

We claim the ornamental design for a flexible ribbed pipe coupling segment, as shown and described.

**DESCRIPTION**

FIG. 1 is an isometric view of our design for a flexible ribbed pipe coupling segment;

FIG. 2 is a front view of the design for a flexible ribbed pipe coupling segment shown in FIG. 1, the rear view being identical;

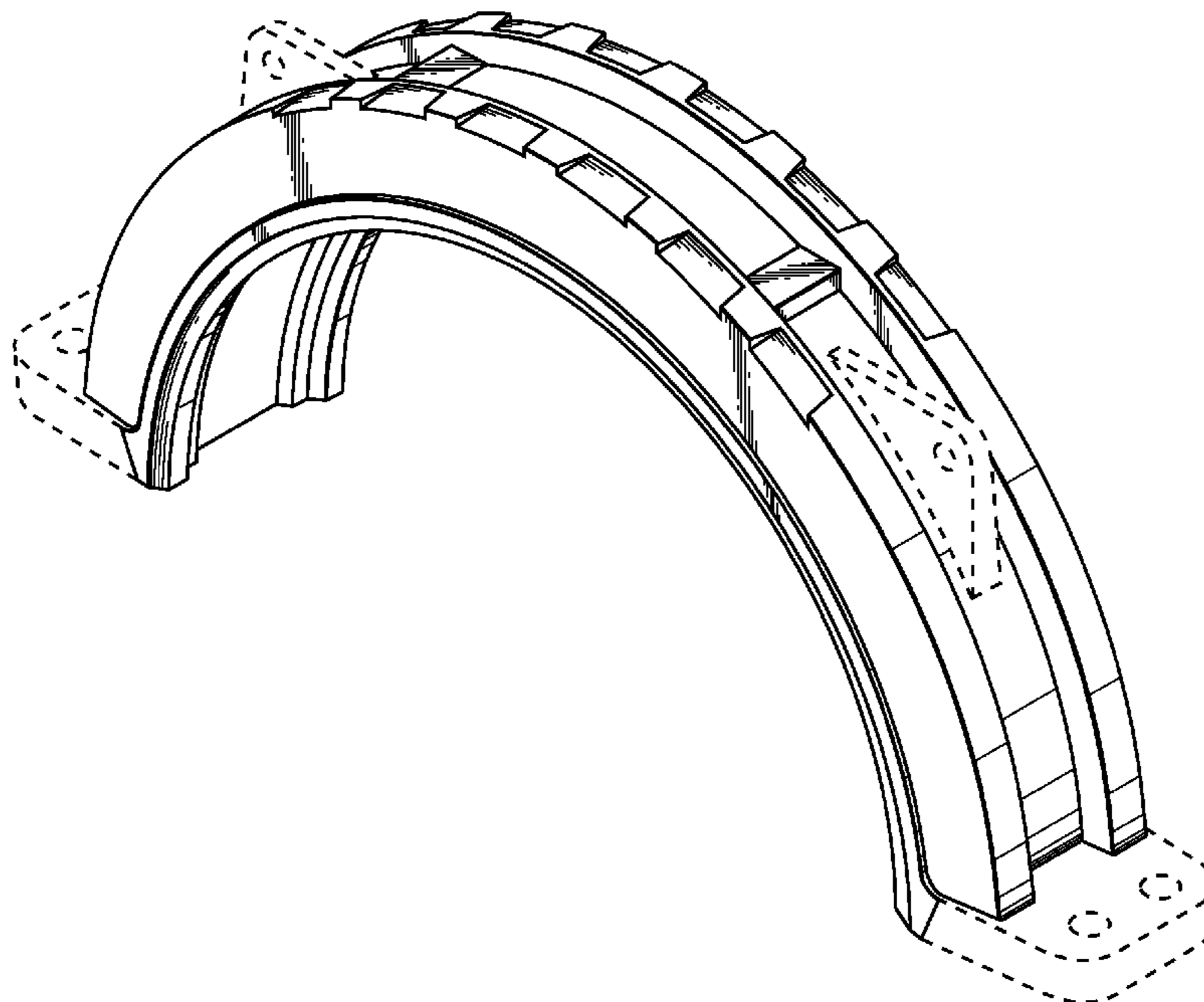
FIG. 3 is a top view of the design for a flexible ribbed pipe coupling segment shown in FIG. 1;

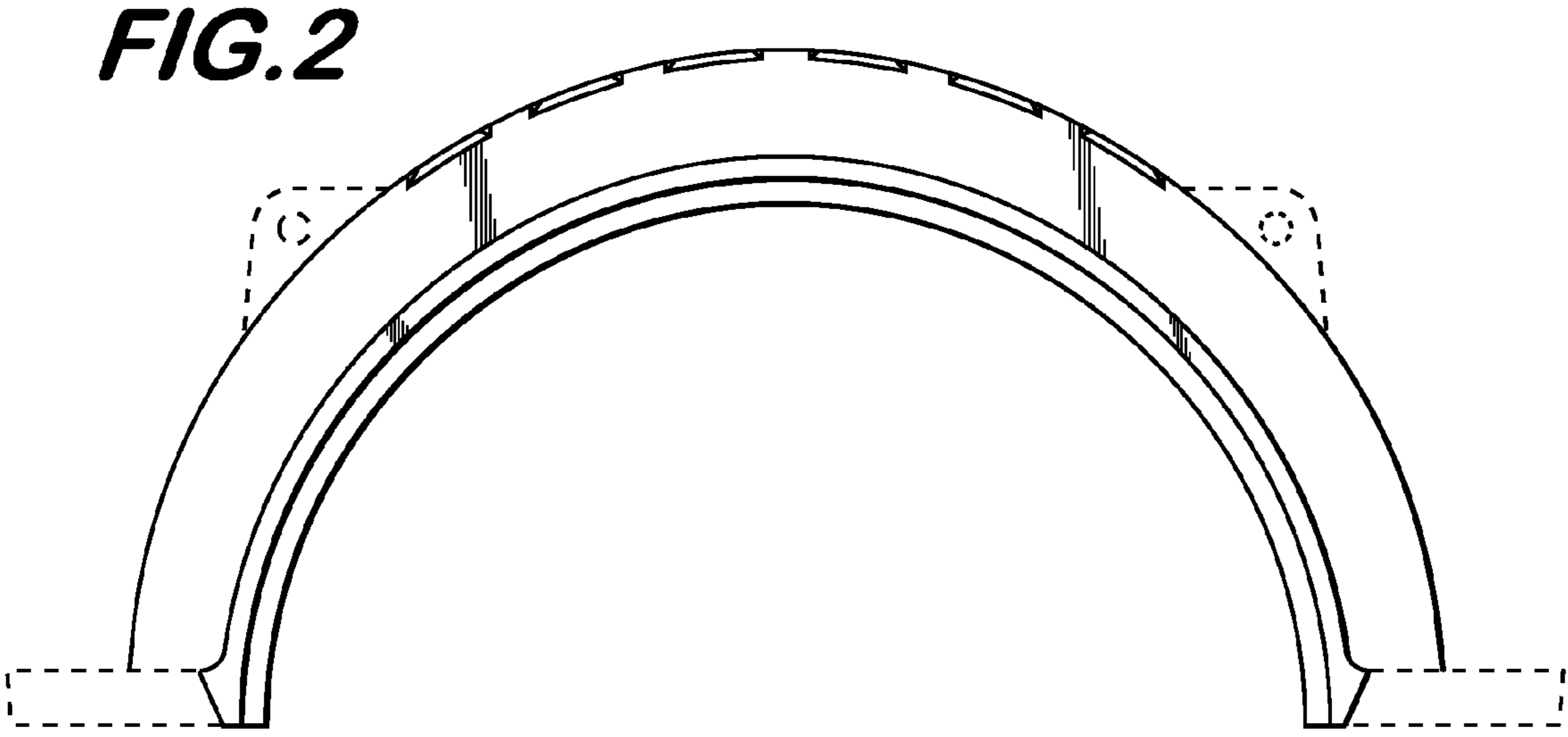
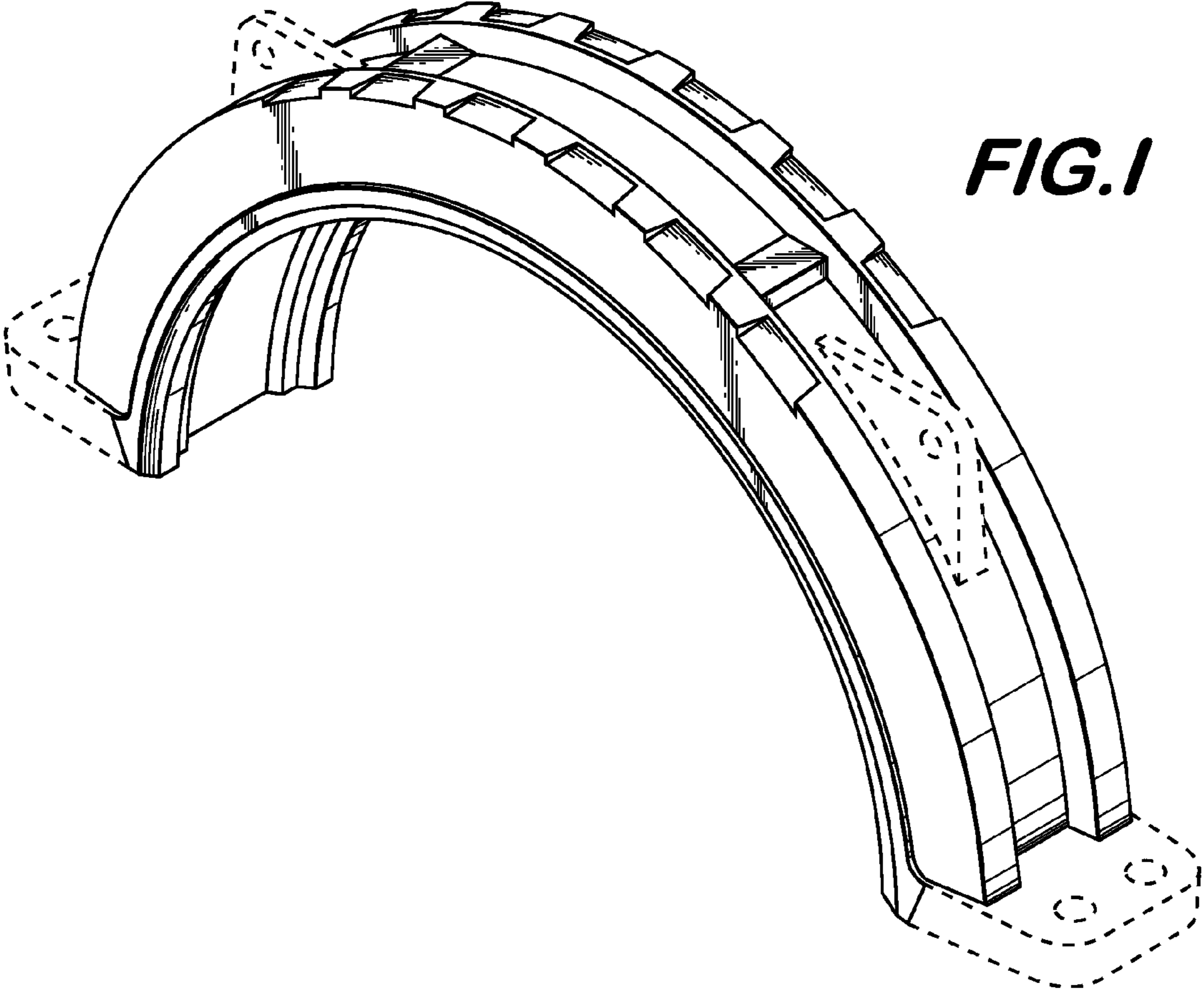
FIG. 4 is a bottom view of the design for a flexible ribbed pipe coupling segment shown in FIG. 1; and,

FIG. 5 is a left side view of the design for a flexible ribbed pipe coupling segment shown in FIG. 1, the right side view being identical.

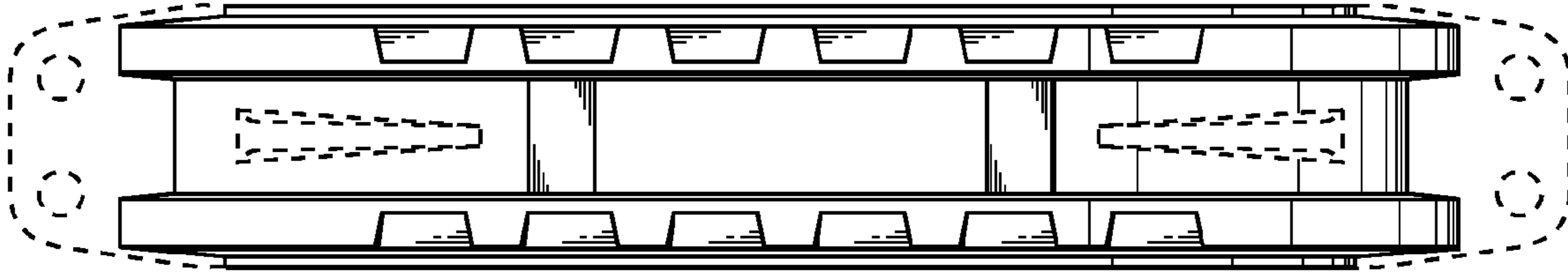
The broken lines in FIGS. 1–5 are for illustrative purposes only and form no part of the claimed design.

**1 Claim, 2 Drawing Sheets**

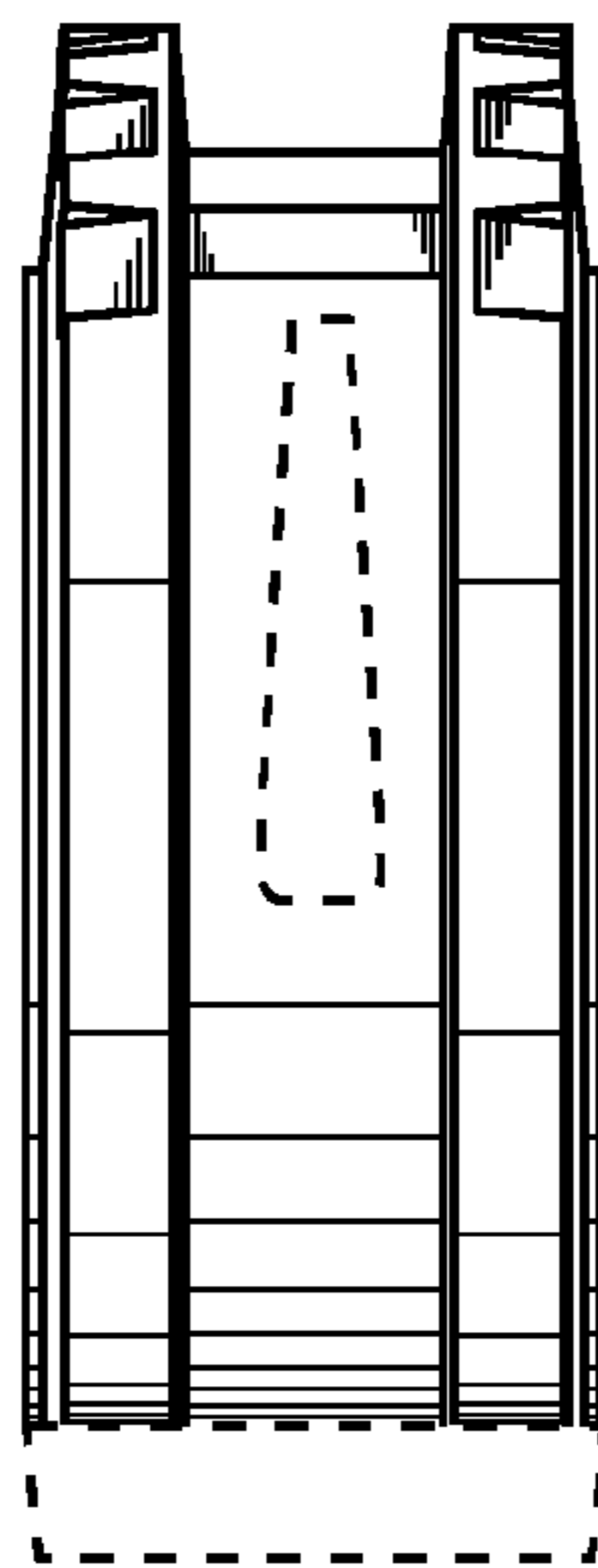
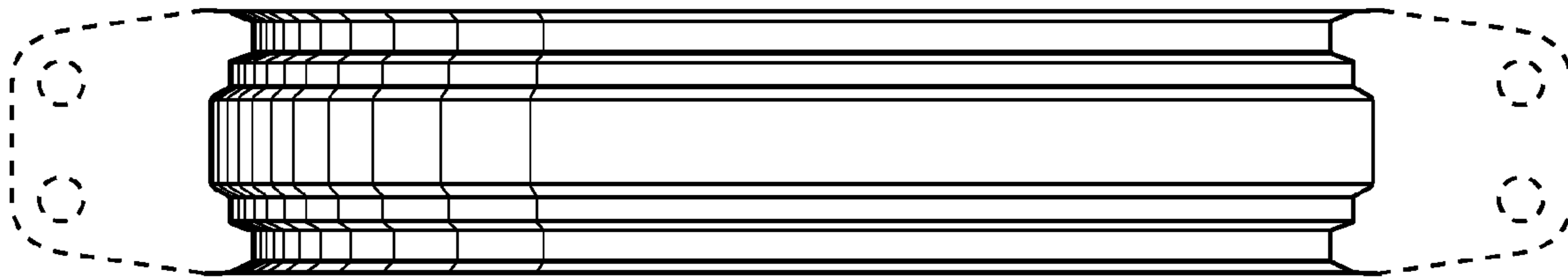




**FIG. 3**



**FIG. 4**



**FIG. 5**